



US00D645972S

(12) **United States Design Patent**  
**Wilkinson**

(10) **Patent No.:** **US D645,972 S**

(45) **Date of Patent:** **\*\* Sep. 27, 2011**

(54) **SPECIMEN COLLECTION CONTAINER**  
**HAVING A LABEL**

FOREIGN PATENT DOCUMENTS

WO 2009111622 A2 9/2009

OTHER PUBLICATIONS

Product insert commercially available from Terumo for Venosafe.

(Continued)

*Primary Examiner* — Anhdao Doan

(74) *Attorney, Agent, or Firm* — The Webb Law Firm

(75) **Inventor:** **Laura Wilkinson**, North Haledon, NJ  
(US)

(73) **Assignee:** **Becton, Dickinson and Company**,  
Franklin Lakes, NJ (US)

(\*\*) **Term:** **14 Years**

(21) **Appl. No.:** **29/354,479**

(22) **Filed:** **Jan. 25, 2010**

(51) **LOC (9) Cl.** ..... **24-01**

(52) **U.S. Cl.** ..... **D24/224**

(58) **Field of Classification Search** ..... D24/216,  
D24/222–226, 231, 232, 169; D10/81;  
D3/203.1–203.8; 422/99, 102; D9/503,  
D9/504, 505, 529, 530, 549; 435/288.1,  
435/288.3, 288.4, 304.1, 305.1, 305.3, 305.4  
See application file for complete search history.

(56) **References Cited**

U.S. PATENT DOCUMENTS

4,397,318	A	8/1983	Burns	
4,411,163	A	10/1983	White	
4,576,185	A	3/1986	Proud et al.	
D285,115	S	8/1986	Proud et al.	
4,646,753	A	3/1987	Nugent	
4,690,153	A	9/1987	Losada et al.	
4,964,413	A	10/1990	Losada et al.	
4,967,763	A	11/1990	Nugent et al.	
5,038,794	A	8/1991	Van Valkenburg	
5,288,466	A	2/1994	Burns	
5,384,096	A	1/1995	Burns	
D356,643	S	3/1995	Burns	
D357,985	S	* 5/1995	Burns	..... D24/224
5,458,113	A	10/1995	Burns	
5,458,854	A	* 10/1995	Burns	..... 422/102
5,494,170	A	2/1996	Burns	
5,527,513	A	6/1996	Burns	

(Continued)

(57) **CLAIM**

The ornamental design for a specimen collection container having a label, as shown and described.

**DESCRIPTION**

FIG. 1 is a frontward-directed perspective view of a specimen collection container having a label according to the present invention;

FIG. 2 is a left sideward-directed perspective view of the specimen collection container having a label of FIG. 1.

FIG. 3 is a bottom-directed perspective view of the specimen collection container having a label of FIG. 1.

FIG. 4 is a front view of the specimen collection container having a label of FIG. 1.

FIG. 5 is a rear view of the specimen collection container having a label of FIG. 1.

FIG. 6 is a left side view of the specimen collection container having a label of FIG. 1.

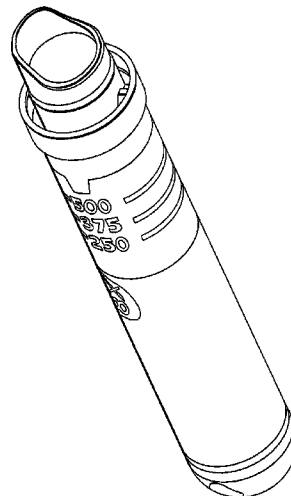
FIG. 7 is a right side view of the specimen collection container having a label of FIG. 1.

FIG. 8 is a top view of the specimen collection container having a label of FIG. 1; and,

FIG. 9 is a bottom view of the specimen collection container having a label of FIG. 1.

The broken lines in FIG. 9 are included for the purpose of illustrating portions of the specimen collection container that form no part of the claimed design.

**1 Claim, 8 Drawing Sheets**



U.S. PATENT DOCUMENTS

5,552,117 A 9/1996 Burns  
 5,672,321 A 9/1997 Daykin  
 5,699,923 A 12/1997 Burns  
 5,700,429 A \* 12/1997 Buhler et al. .... 422/104  
 5,711,875 A 1/1998 Kayal et al.  
 5,738,233 A 4/1998 Burns  
 D425,625 S 5/2000 Niermann  
 6,056,925 A 5/2000 Sarstedt  
 D436,183 S \* 1/2001 Stevens et al. .... D24/224  
 6,221,655 B1 4/2001 Fung et al.  
 D444,886 S \* 7/2001 Conway ..... D24/224  
 D445,908 S \* 7/2001 Conway ..... D24/224  
 6,358,476 B1 3/2002 Innamorato et al.  
 6,426,049 B1 7/2002 Rosen et al.  
 6,551,267 B1 4/2003 Cohen et al.  
 6,562,300 B2 \* 5/2003 Rosen et al. .... 422/102  
 7,604,778 B2 \* 10/2009 Dause ..... 422/102  
 D621,522 S \* 8/2010 Wilkinson ..... D24/224  
 2002/0156439 A1 10/2002 Iskra  
 2003/0133844 A1 \* 7/2003 Conway ..... 422/102  
 2005/0229724 A1 \* 10/2005 O'Brien et al. .... 73/864.91  
 2009/0308184 A1 \* 12/2009 Blekher et al. .... 73/864.63

OTHER PUBLICATIONS

Product insert commercially available from Becton, Dickinson and Company for BD Microtainer Chemistry Tubes.  
 Product insert commercially available from Becton, Dickinson and Company for BD Capillary Collection, 2004.  
 Product insert commercially available from Becton, Dickinson and Company for BD Microtainer Plasma Separator Tube, 2000.  
 Product insert commercially available from Becton, Dickinson and Company for BD Microtainer Tubes with BD Microgard Closure, 2003.  
 Product insert commercially available from Becton, Dickinson and Company for BD Microtainer Tubes with Microgard Closure—Tube Guide and Order of Draw, 2003.  
 Product insert commercially available from Becton, Dickinson and Company for BD Microtainer Tubes—Tube Guide and Order of Draw, 2003.  
 Product Literature commercially available from Greiner Bio One at [www.gbo.com/documents/V01\\_Tube\\_Guide\\_000502\\_e.pdf](http://www.gbo.com/documents/V01_Tube_Guide_000502_e.pdf).  
 Portions of product literature catalog commercially available from Greiner Bio One at [www.gbo.com/documents/980042\\_VACUETTEkatalog\\_rev04\\_0609\\_small\\_e.pdf](http://www.gbo.com/documents/980042_VACUETTEkatalog_rev04_0609_small_e.pdf).

\* cited by examiner

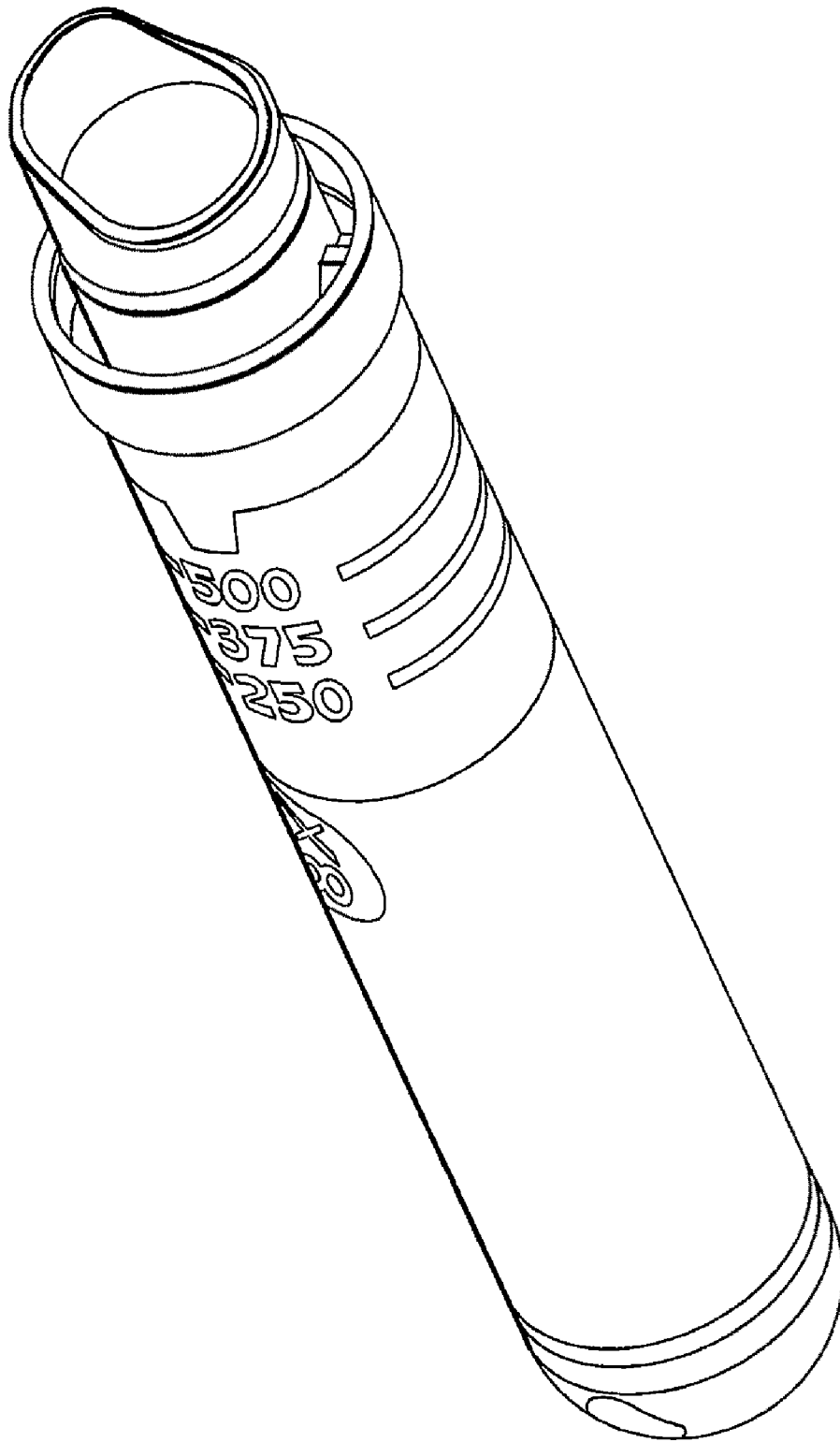


FIG. 1

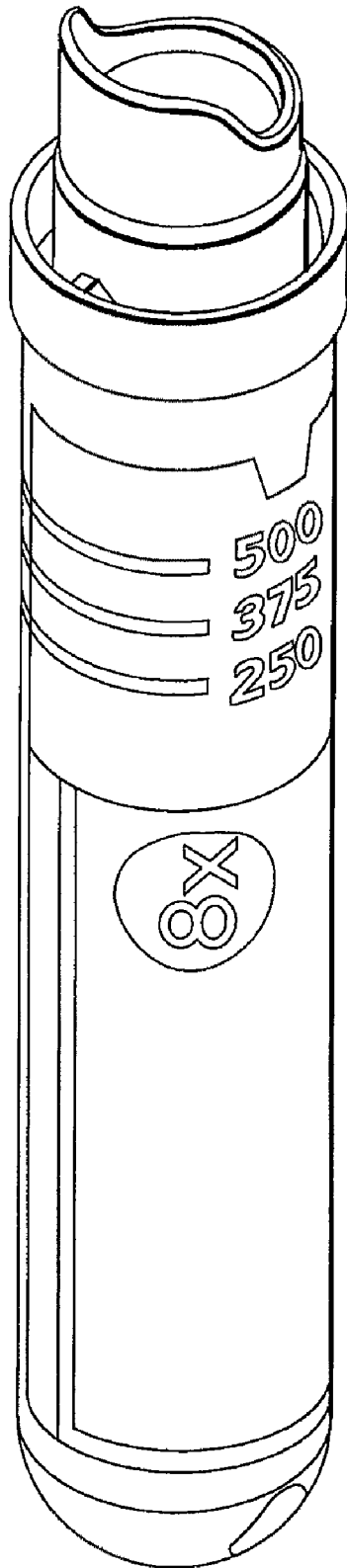


FIG.2

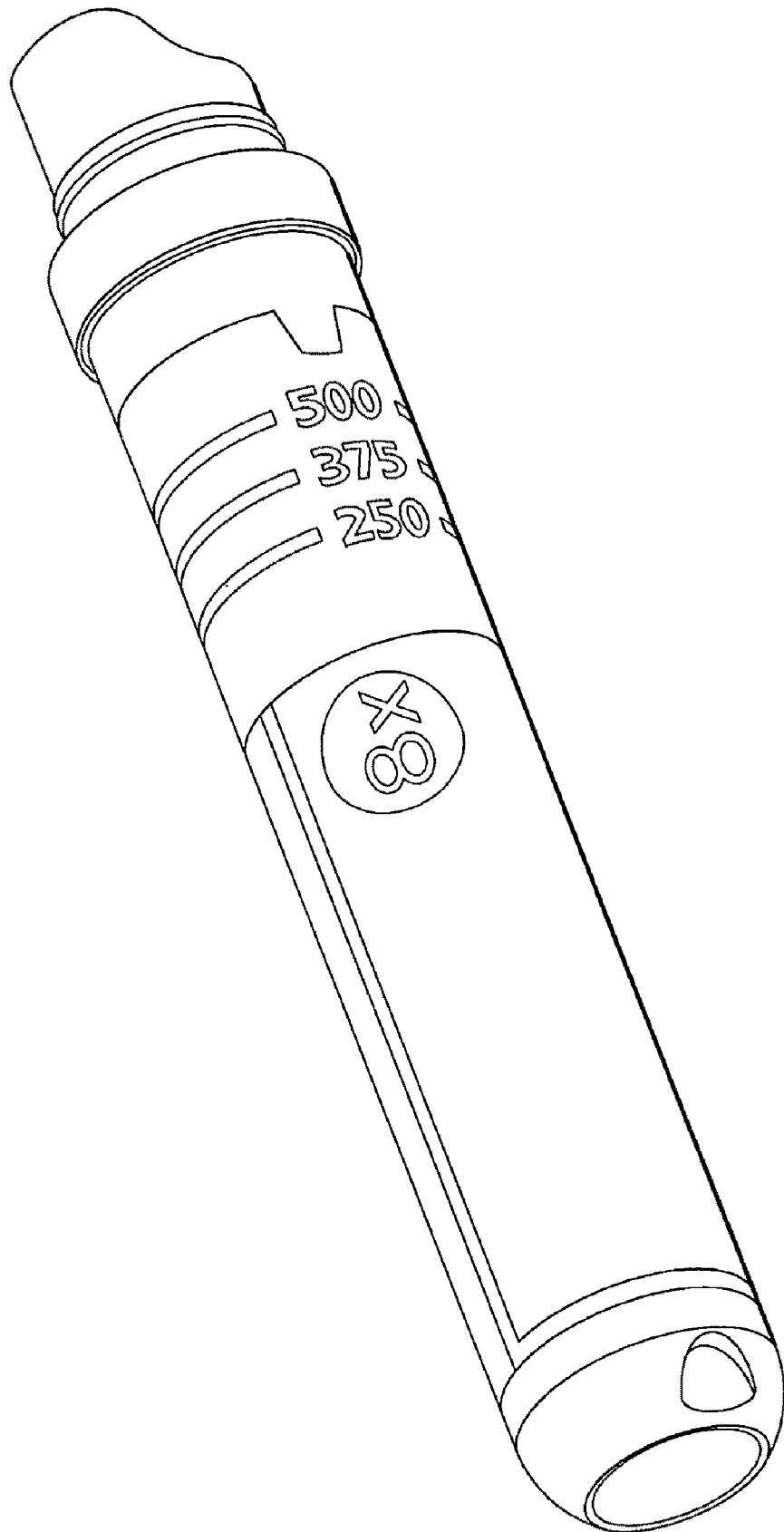


FIG.3

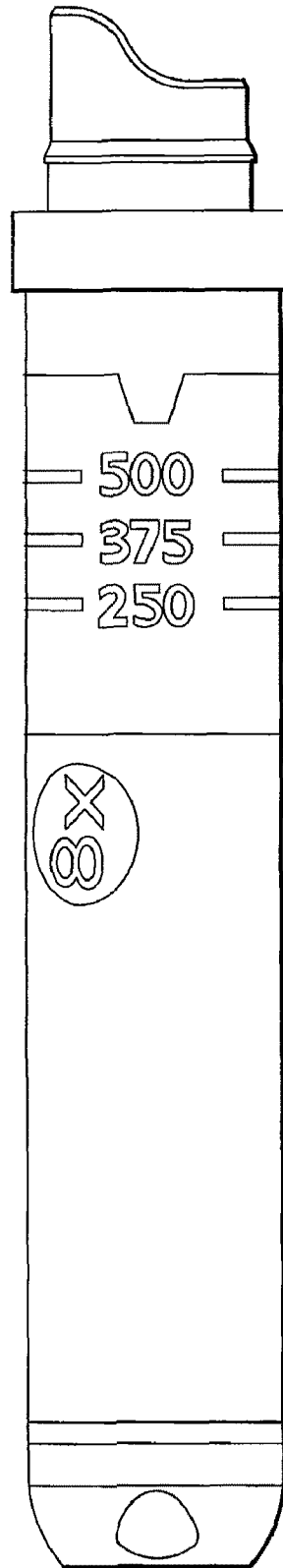


FIG.4

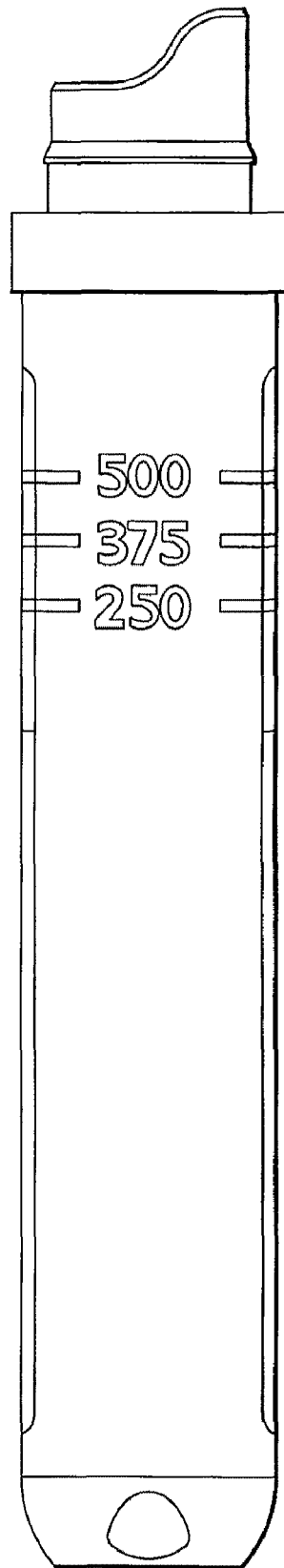


FIG.5

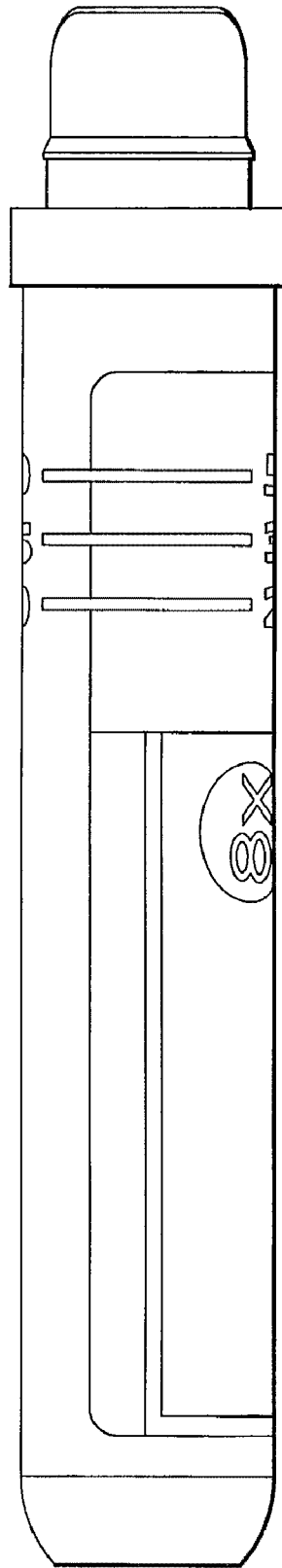


FIG. 6



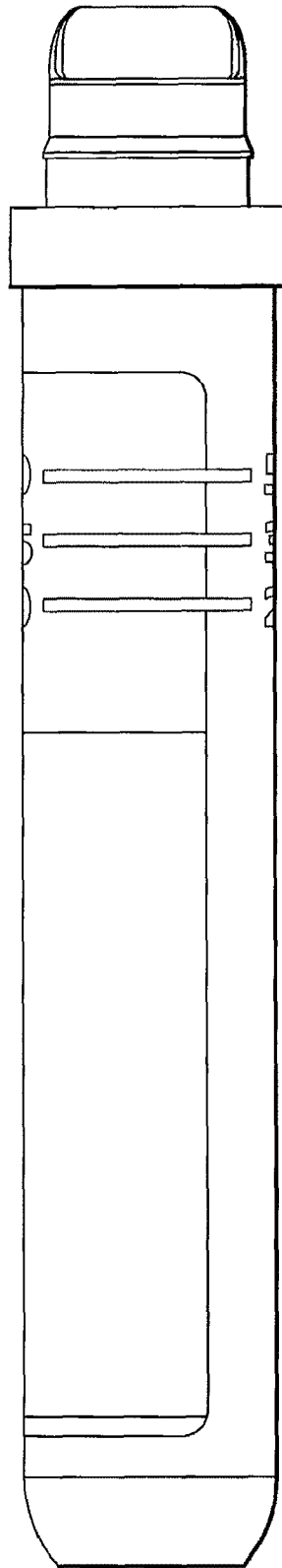


FIG.7

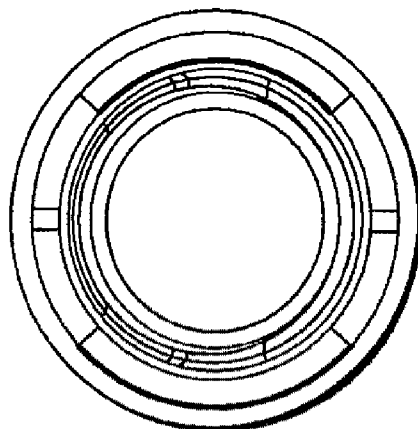


FIG. 8

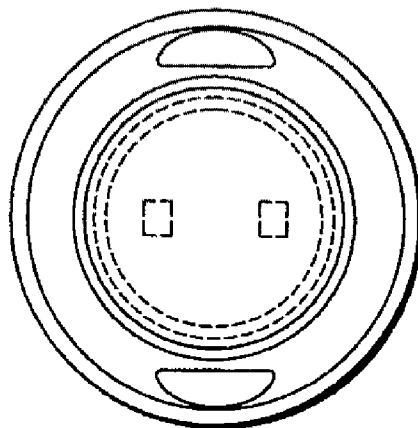


FIG. 9