



US00D940726S

(12) **United States Design Patent**
Hanley

(10) **Patent No.:** **US D940,726 S**

(45) **Date of Patent:** **** Jan. 11, 2022**

(54) **ELECTRONIC DEVICE SUPPORT**

(71) Applicant: **David Hanley**, Huntington Beach, CA (US)

(72) Inventor: **David Hanley**, Huntington Beach, CA (US)

(**) Term: **15 Years**

(21) Appl. No.: **29/754,102**

(22) Filed: **Oct. 6, 2020**

(51) **LOC (13) Cl.** **08-07**

(52) **U.S. Cl.**
USPC **D14/447**

(58) **Field of Classification Search**
USPC D14/447, 432, 434, 439, 440, 451, 452, D14/457, 239, 253; D8/363, 373, 380; D6/406.3, 406.4, 406.5, 406.6; D12/415; D13/108
CPC A47B 21/04; A47B 2097/006; A47B 2097/005; A47B 2023/049; A45C 2011/002; A45C 2011/003; F16M 2200/00; F16M 13/00
See application file for complete search history.

(56) **References Cited**

U.S. PATENT DOCUMENTS

D628,203 S	11/2010	Noble	
D648,339 S *	11/2011	O'Neil	D14/434
D652,422 S *	1/2012	Cheng	D14/447
D654,921 S *	2/2012	Malsan	D14/447

D659,696 S *	5/2012	Lanza	D14/447
D661,309 S *	6/2012	Murrer	D14/447
D668,662 S *	10/2012	Suiter	D14/447
D699,246 S *	2/2014	Ringlein	D14/447
D702,664 S *	4/2014	Kim	D14/217
D703,215 S *	4/2014	Alesi	D14/447
D706,784 S *	6/2014	Mills	D14/447
D709,075 S *	7/2014	Miniard	D14/447
D711,366 S	8/2014	Lui	
D718,761 S	12/2014	Minocha	
D721,033 S *	1/2015	Fujioka	D13/108
D761,782 S	7/2016	Kitching	
D763,244 S *	8/2016	McGarry	D14/253

* cited by examiner

Primary Examiner — Angela J Lee

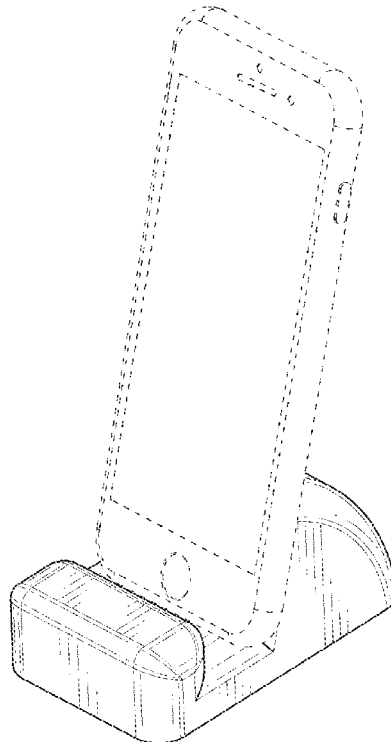
(57) **CLAIM**

The ornamental design for an electronic device support, as shown and described.

DESCRIPTION

FIG. 1 is a front view of an electronic device support showing my new design;
FIG. 2 is a rear view of the electronic device support;
FIG. 3 is a right side view of the electronic device support;
FIG. 4 is a left side view of the electronic device support;
FIG. 5 is a top view of the electronic device support;
FIG. 6 is a bottom view of the electronic device support; and,
FIG. 7 is a top front side perspective view of the electronic device support.
The broken lines in FIG. 7 are illustrative of environmental structure forming no part of the claimed design.

1 Claim, 7 Drawing Sheets



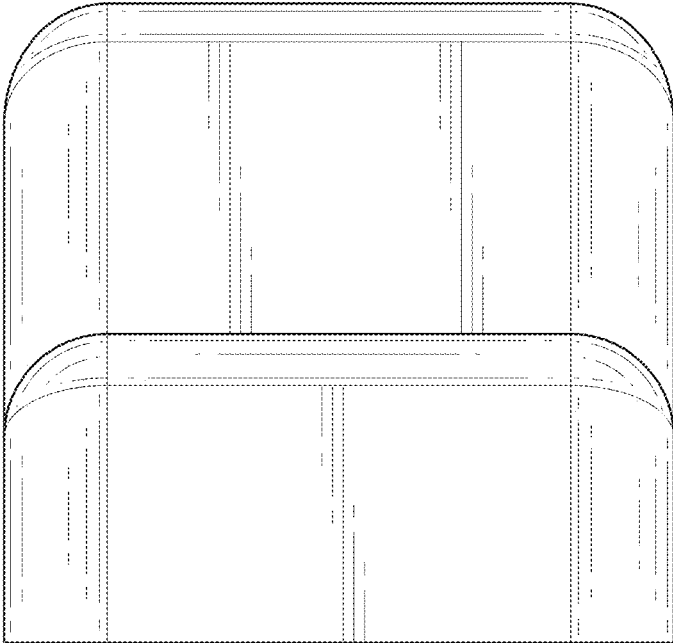


FIG. 1

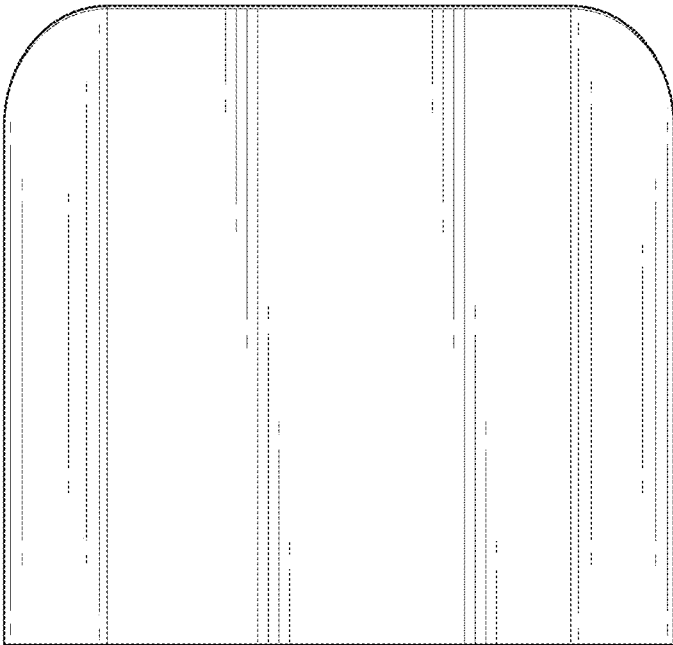


FIG. 2

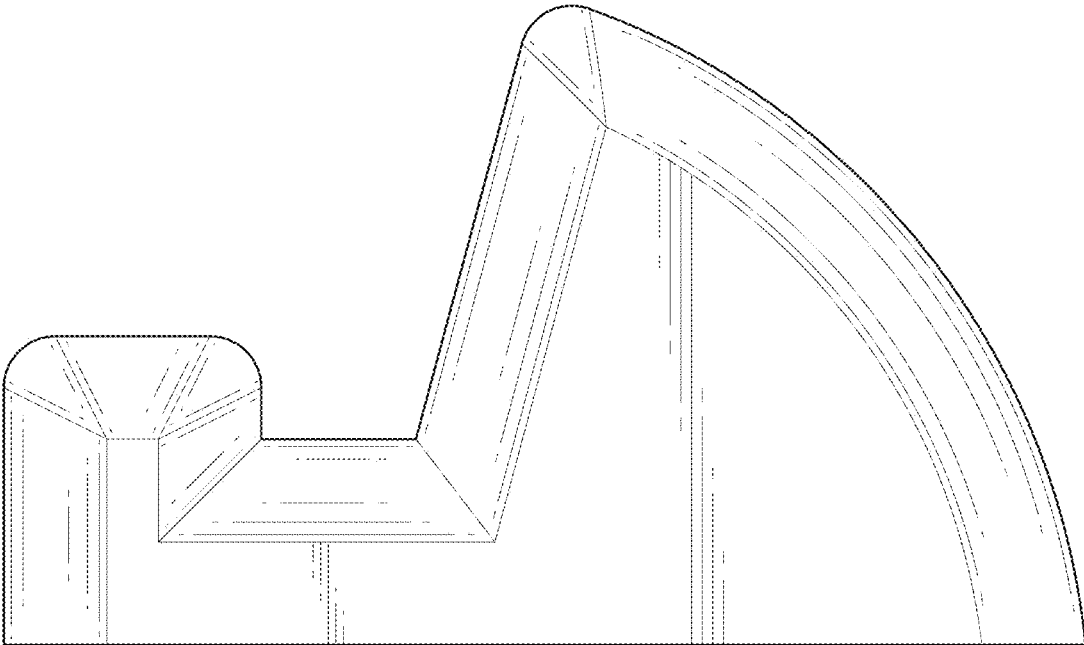


FIG. 3

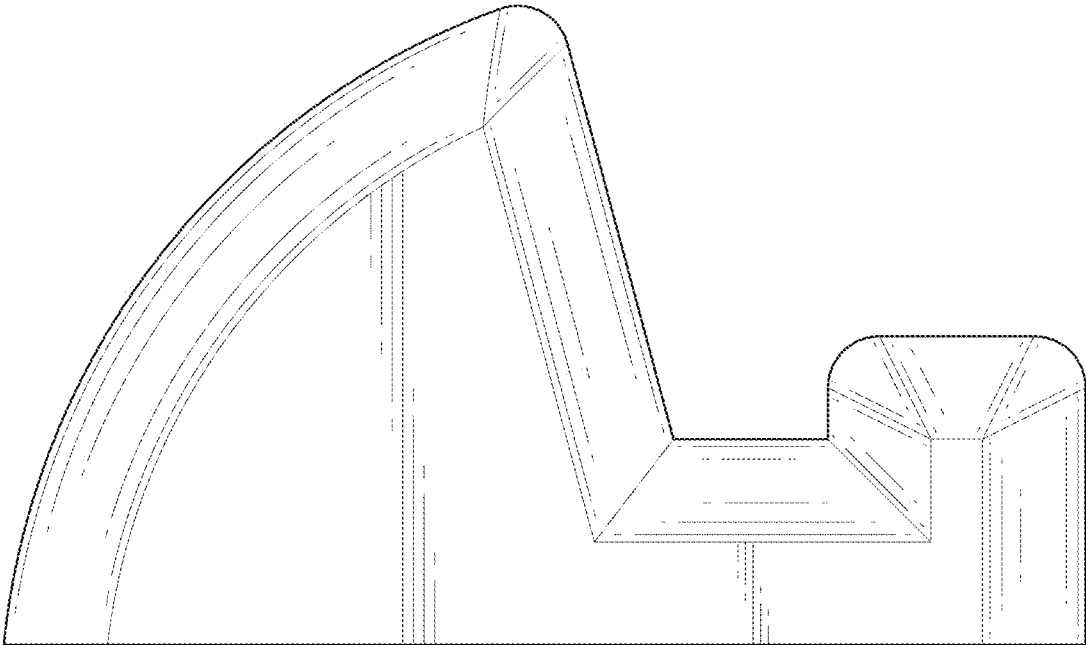


FIG. 4

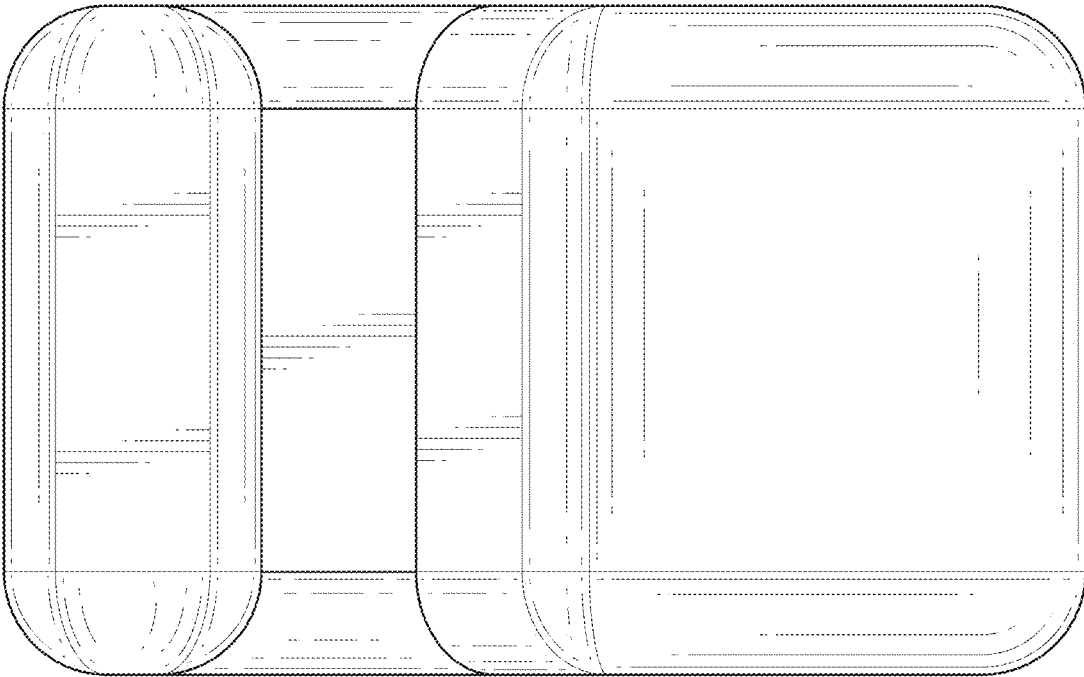


FIG. 5

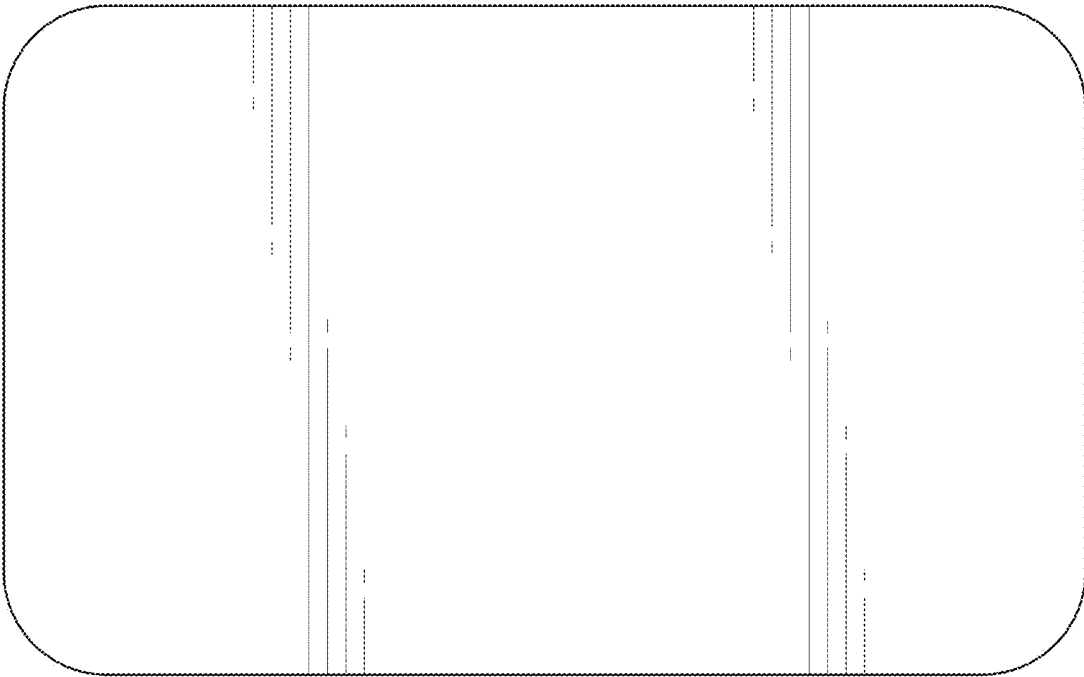


FIG. 6

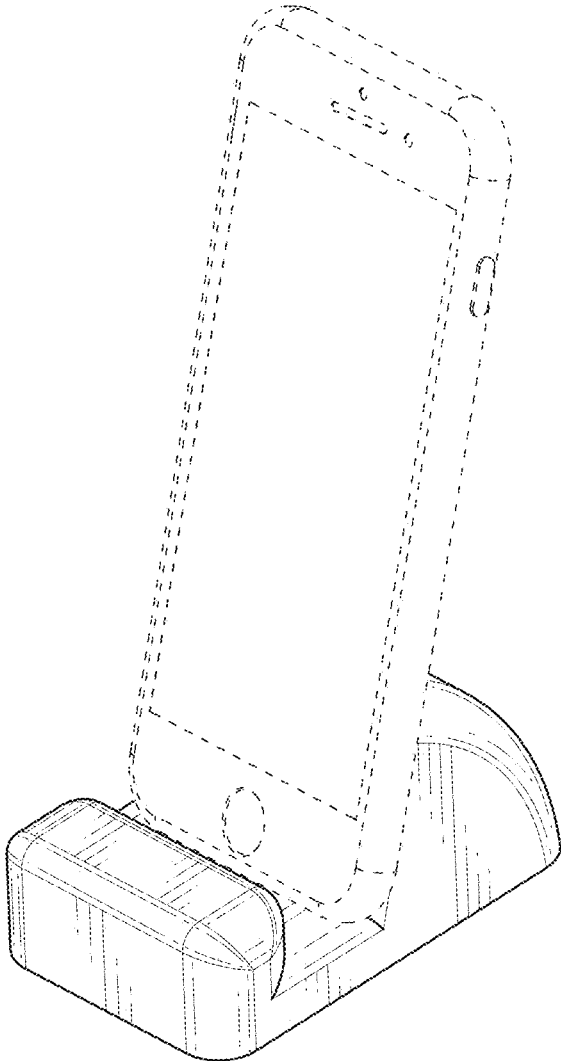


FIG. 7