



US00D977715S

(12) **United States Design Patent**
Yu

(10) **Patent No.:** **US D977,715 S**

(45) **Date of Patent:** **** Feb. 7, 2023**

(54) **HAIR STYLER**

(71) Applicant: **Weixi (Shenzhen) Intelligent Technology Co., LTD**, Shenzhen (CN)

(72) Inventor: **Hualong Yu**, Shenzhen (CN)

(73) Assignee: **Weixi (Shenzhen) Intelligent Technology Co., LTD**, Shenzhen (CN)

(**) Term: **15 Years**

(21) Appl. No.: **29/867,566**

(22) Filed: **Oct. 28, 2022**

(51) **LOC (14) Cl.** **28-03**

(52) **U.S. Cl.**

USPC **D28/35**; D28/13

(58) **Field of Classification Search**

USPC D28/35, 13-15, 18

CPC A45D 2/362; A45D 2/367; A45D 2/36;

A45D 20/48-50; A45D 2001/008; A45D

2001/004; A45D 2001/045; A45D 1/00;

A45D 1/04; A45D 1/28; A45D 1/08

See application file for complete search history.

(56) **References Cited**

U.S. PATENT DOCUMENTS

D455,226 S	4/2002	McCurac	
D672,089 S	12/2012	Julémont	
D729,450 S	5/2015	Van Maanen	
D833,676 S	11/2018	Lee	
D848,067 S *	5/2019	Heffer	D28/18
D848,068 S *	5/2019	Heffer	D28/18
D850,001 S *	5/2019	Coulton	D28/18
D853,637 S *	7/2019	Coulton	D28/18
D853,638 S *	7/2019	Tappenden	D28/18
D875,311 S	2/2020	Yang	
D885,663 S *	5/2020	Flynn	D28/13
D909,064 S *	2/2021	Huang	D28/35

D957,054 S	7/2022	Yang	
2014/0083446 A1 *	3/2014	Julémont	A45D 7/02 132/229
2018/0055181 A1 *	3/2018	Spark	A45D 2/001
2018/0192756 A1 *	7/2018	Bennett	A45D 6/04

FOREIGN PATENT DOCUMENTS

GB	2527834 A *	1/2016	A45D 1/04
GB	2602799 A *	7/2022	A45D 20/10
WO	WO-2022028503 A1 *	2/2022	A45D 2/367

OTHER PUBLICATIONS

Dyson Airwrap Multi Styler, www.ulta.com, reviewed as early as Jul. 2022, 1 page (Year: 2022).*

Conair Instant Heat Styling Brush, ¾-Inch, from Amazon.com, printed on Oct. 28, 2022.

Hot Tools Pro Signature Detachable One Step Volumizer and Hair Dryer | Style, Dry & Brush (1.0 Small), from Amazon.com, printed on Oct. 28, 2022.

(Continued)

Primary Examiner — Jennifer Rivard

(74) *Attorney, Agent, or Firm* — Vladimir Postnikov

(57)

CLAIM

The ornamental design for a hair styler, as shown and described.

DESCRIPTION

FIG. 1 is a front elevation view of a hair styler showing the new design;

FIG. 2 is a back elevation view thereof;

FIG. 3 is a left-side view thereof;

FIG. 4 is a right-side view thereof;

FIG. 5 is a top plan view thereof;

FIG. 6 is a bottom plan view thereof;

FIG. 7 is a perspective view thereof; and,

FIG. 8 is a perspective view thereof.

1 Claim, 8 Drawing Sheets



(56)

References Cited

OTHER PUBLICATIONS

Hair Straightener and Curler 2 in 1, Straightener and Curling Iron in One, Flat Iron Hair Straightener, Flat Irons for African American Hair, Curling Straightening Iron—1 inch/Gold, from Amazon.com, printed on Oct. 28, 2022.

L'ange Hair Ondulé Titanium Curling Wand | Professional Hot Tools Curling Iron 1.25 Inch | Salon Hair Styling Wands for Beach Waves | Best Hair Curler Wand for Frizz-Free, Lasting Curls | Blush 32 MM, from Amazon.com, printed on Oct. 28, 2022.

* cited by examiner

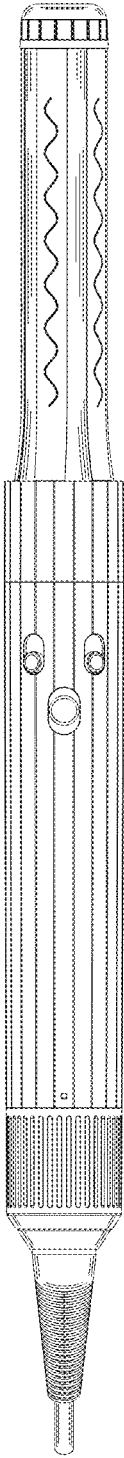


FIG. 1

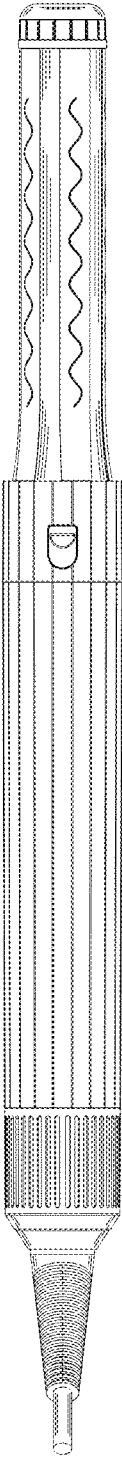


FIG. 2

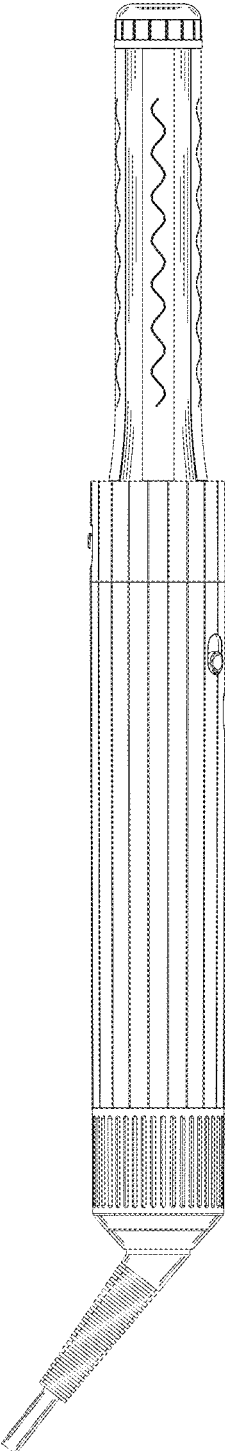


FIG. 3

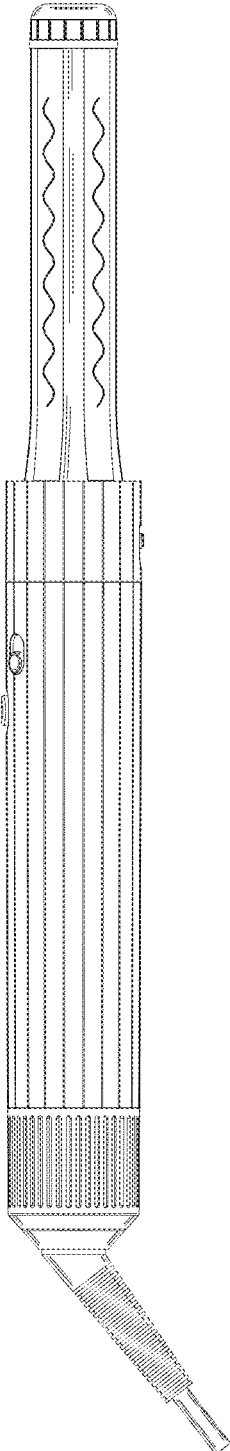


FIG. 4

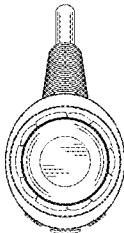


FIG. 5

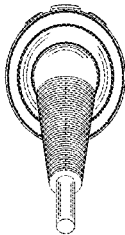


FIG. 6

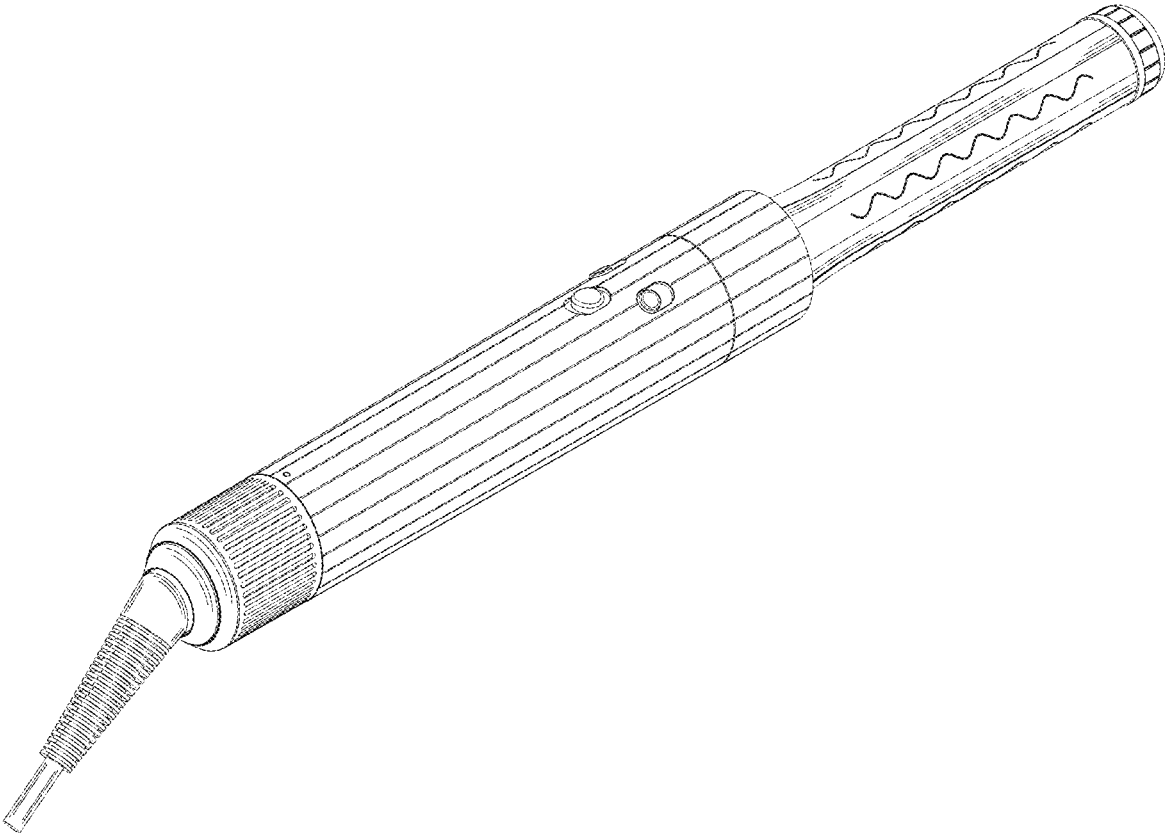


FIG. 7

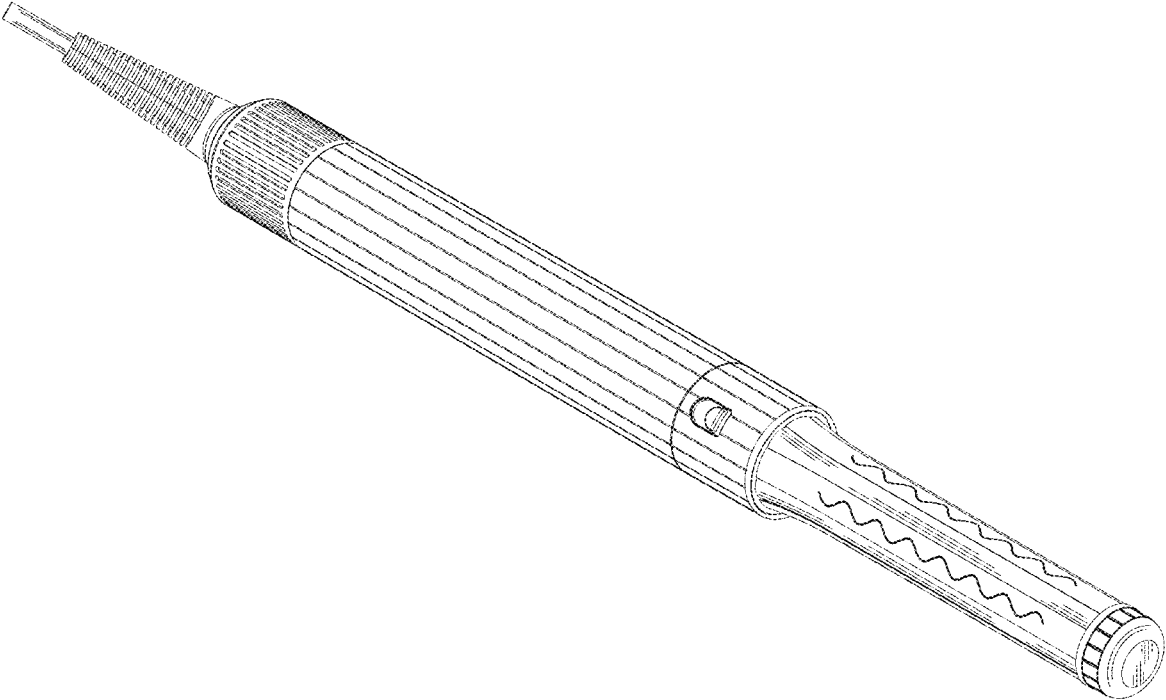


FIG. 8