



US00D823013S

(12) **United States Design Patent**  
**Burden**

(10) **Patent No.:** **US D823,013 S**

(45) **Date of Patent:** **\*\* Jul. 17, 2018**

- (54) **BENCH**
- (71) Applicant: **Ian James Burden**, Sovereign Islands (AU)
- (72) Inventor: **Ian James Burden**, Sovereign Islands (AU)
- (\*\*) Term: **15 Years**

D505,559	S	*	5/2005	Sun	.....	D6/349
D583,577	S	*	12/2008	Wicha	.....	D6/349
D714,565	S	*	10/2014	Davis	.....	D6/370
D715,568	S	*	10/2014	Davis	.....	D6/370
D736,530	S	*	8/2015	Cohen	.....	D6/349
D743,707	S	*	11/2015	Simitian	.....	D6/349
D766,630	S	*	9/2016	Akana	.....	D6/691.1
D783,324	S	*	4/2017	Akana	.....	D6/691.1
D798,073	S	*	9/2017	Asner	.....	D6/349

- (21) Appl. No.: **29/586,050**
- (22) Filed: **Nov. 30, 2016**

(30) **Foreign Application Priority Data**

Sep. 14, 2016 (AU) ..... 201615223

- (51) **LOC (11) Cl.** ..... **06-01**
- (52) **U.S. Cl.**  
USPC ..... **D6/349; D6/370; D6/371; D6/381; D6/691.1**

- (58) **Field of Classification Search**  
USPC ..... D6/274, 334, 349-353, 360, 364-367, D6/371-374, 403-405, 596, 691-691.9, D6/692-692.6, 708.21, 716, 370, 381  
CPC .... A47B 7/00; A47B 7/02; A47B 9/00; A47B 13/02; A47B 23/00; A47B 39/00; A47C 7/002; A47C 7/18; A47C 3/18; A47C 3/20; A47C 9/002; A47C 9/007; A47C 9/02; A47C 11/00  
See application file for complete search history.

(56) **References Cited**

**U.S. PATENT DOCUMENTS**

D244,076	S	*	4/1977	Saltz	.....	D6/691.1
D357,364	S	*	4/1995	Dionne	.....	D6/335
D369,692	S	*	5/1996	Skalka	.....	D6/370
D457,334	S	*	5/2002	Slear	.....	D6/355
D461,330	S	*	8/2002	Wang	.....	D6/349
D465,936	S	*	11/2002	Arnold	.....	D6/349

**OTHER PUBLICATIONS**

Gus Return Bench. [online] Published on Apr. 10, 2014. Retrieved Oct. 31, 2017 from URL:https://centuryhouseinc.com/product/gus-return-bench/\*

Hand Made Mid Century Modern Bench. [online] Published on May 5, 2015. Retrieved Oct. 31, 2017 from URL:https://www.custommade.com/mid-century-modern-bench/by/heirloomcarpentry/\*

\* cited by examiner

*Primary Examiner* — Vy N Koenig  
(74) *Attorney, Agent, or Firm* — Dykema Gossett PLLC

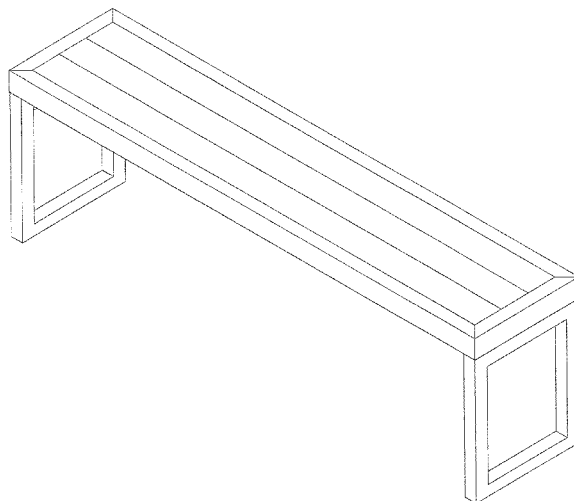
(57) **CLAIM**

The ornamental design for a bench, as shown and described.

**DESCRIPTION**

FIG. 1 is an elevational first side view of a bench showing my new and ornamental design, the opposite side view being a mirror image,  
FIG. 2 is an elevational first end view thereof, the opposite end view being a mirror image,  
FIG. 3 is a top plan view thereof,  
FIG. 4 is a bottom plan view thereof,  
FIG. 5 is a perspective side view thereof; and,  
FIG. 6 is a perspective opposite side view thereof.  
The broken lines shown in the drawings depict portions of the bench which form no part of the claimed design.

**1 Claim, 6 Drawing Sheets**



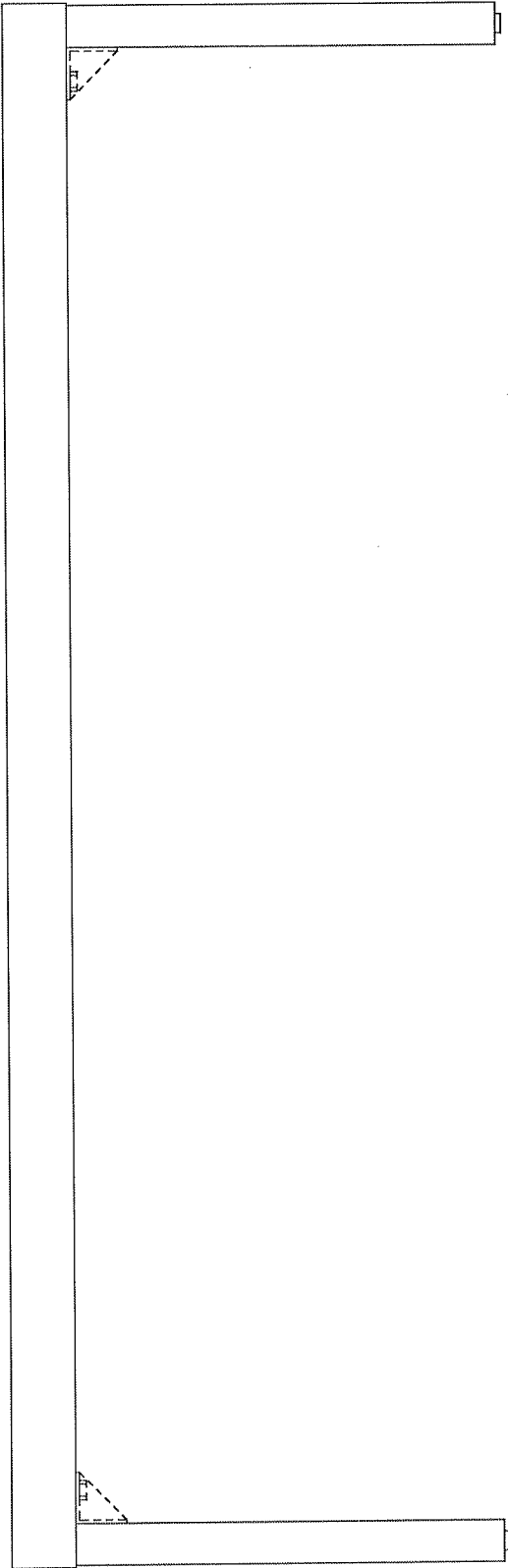


FIG. 1

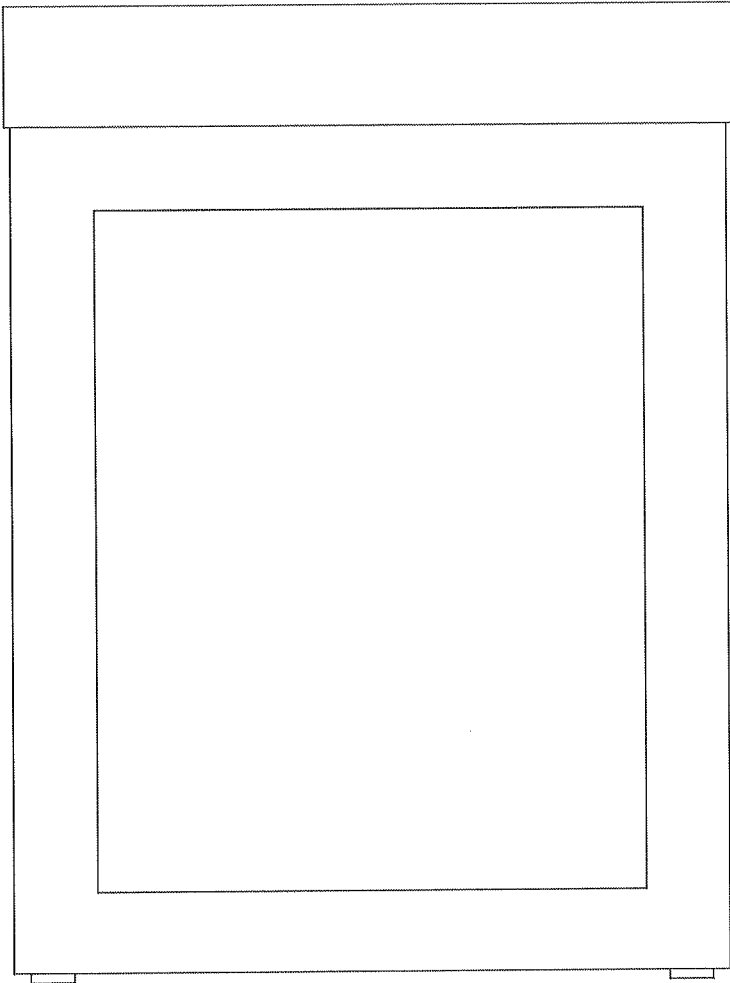


FIG. 2

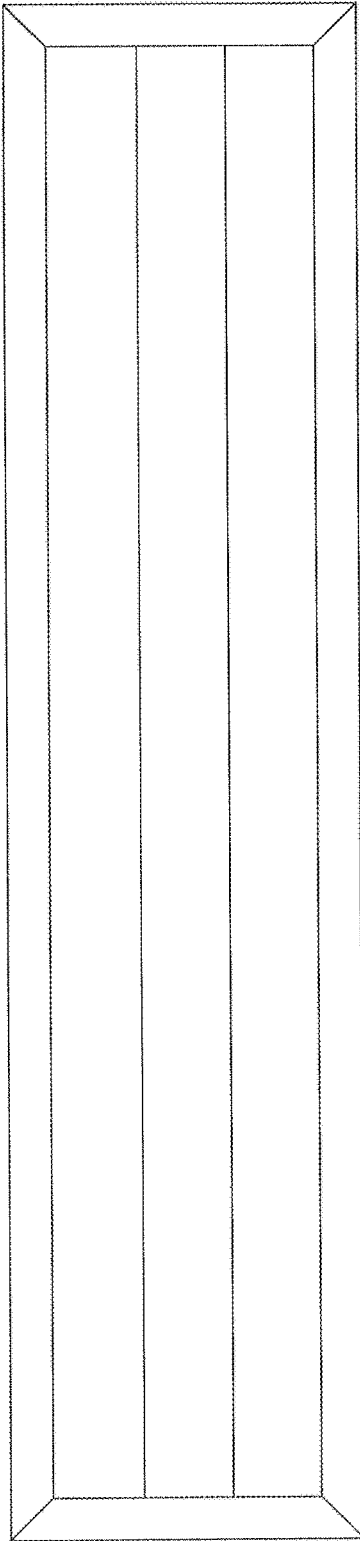


FIG. 3

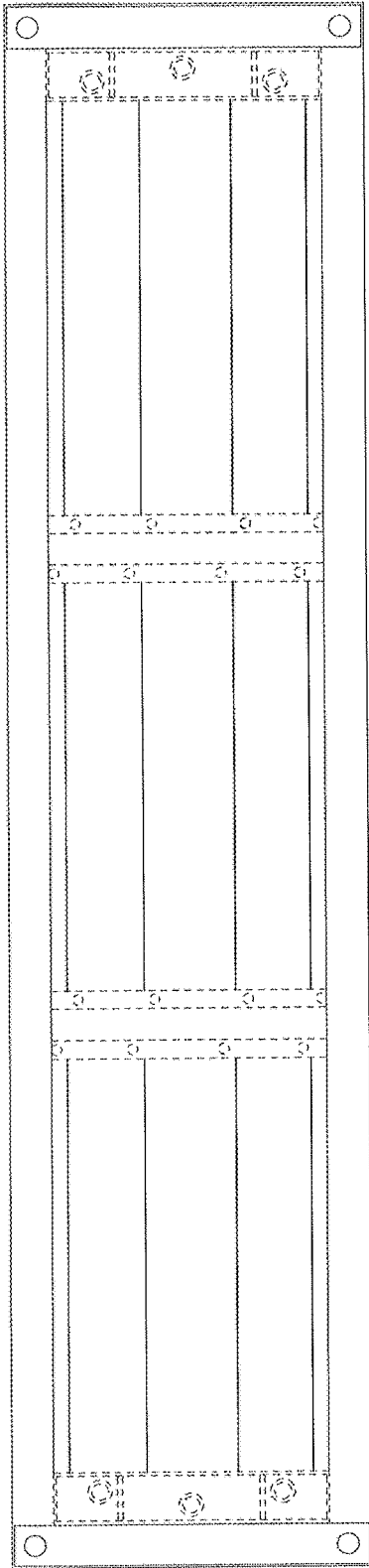


FIG. 4

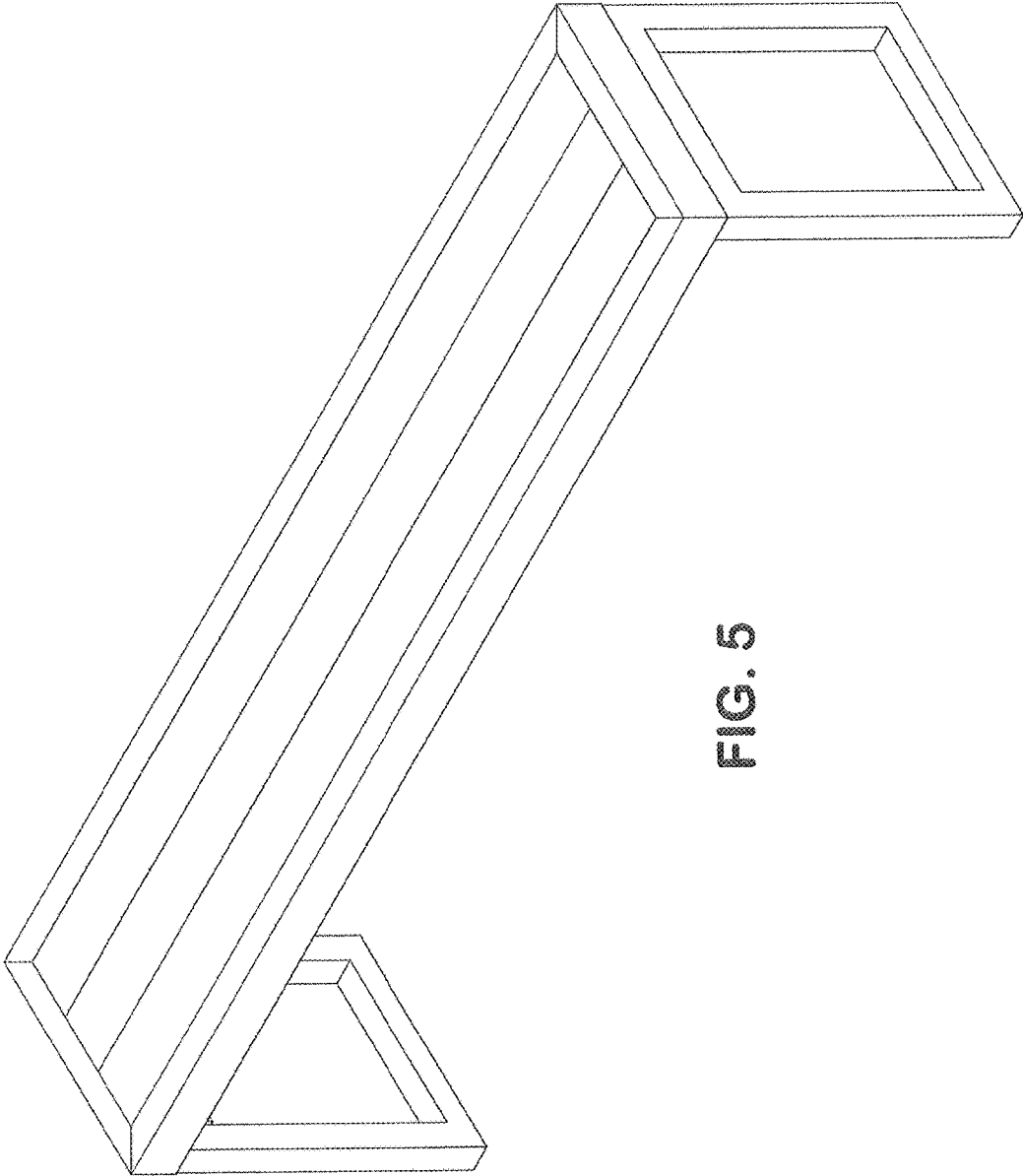


FIG. 5

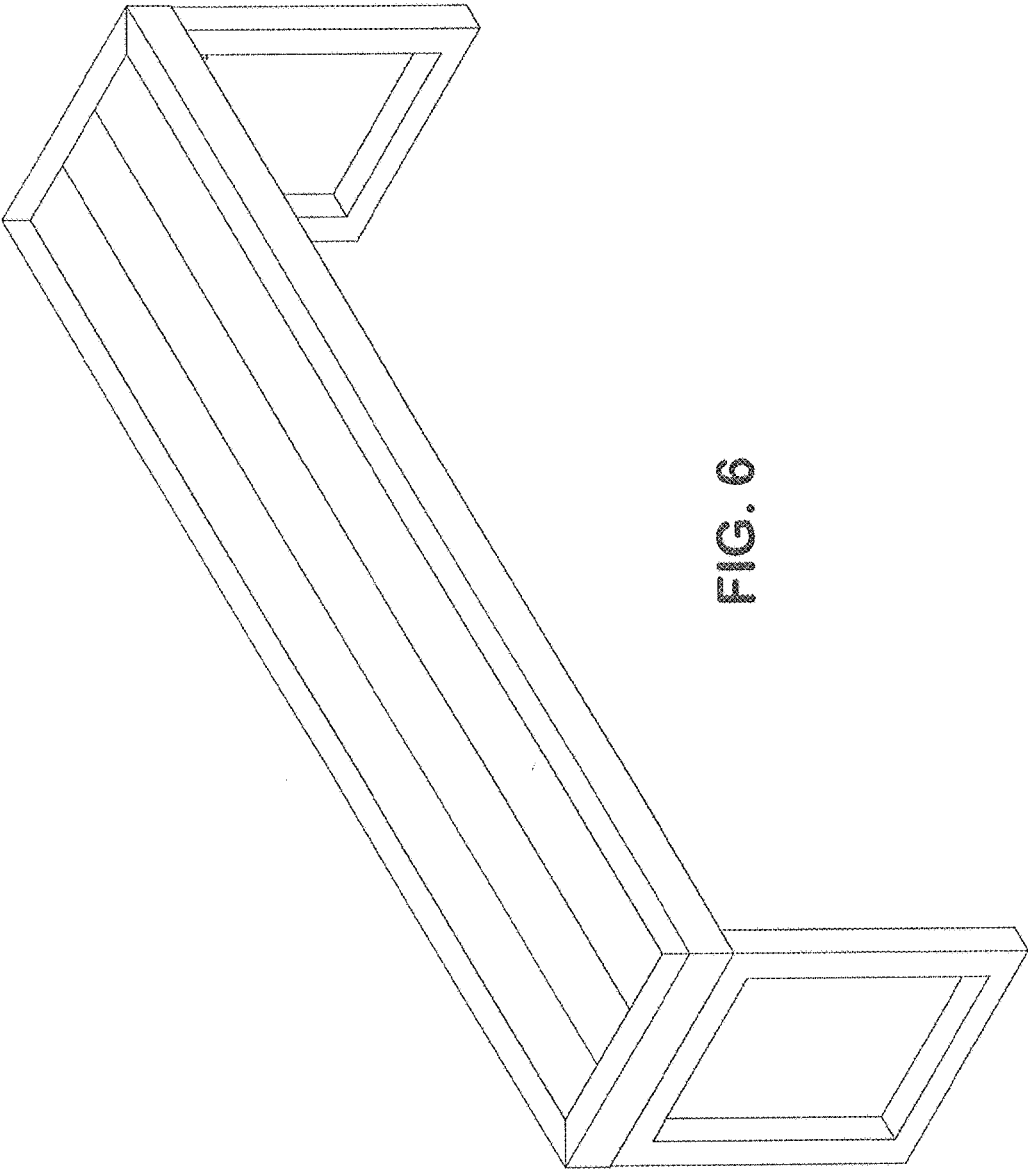


FIG. 6