



US00D833249S

(12) **United States Design Patent**
Lowe

(10) **Patent No.:** **US D833,249 S**
(45) **Date of Patent:** **** Nov. 13, 2018**

- (54) **CABINET KNOB**
- (71) Applicant: **Hardware Resources, Inc.**, Bossier City, LA (US)
- (72) Inventor: **Stephanie Lowe**, Bossier City, LA (US)
- (73) Assignee: **HARDWARE RESOURCES, INC.**, Bossier City, LA (US)
- (**) Term: **15 Years**
- (21) Appl. No.: **29/630,330**
- (22) Filed: **Dec. 20, 2017**
- (51) **LOC (11) Cl.** **08-06**
- (52) **U.S. Cl.** **D8/307**
USPC **D8/307**
- (58) **Field of Classification Search**
USPC D8/300, 307, 310; D7/393; D23/250, D23/252, 254
CPC ... Y10T 292/57; Y10T 16/469; Y10T 292/82; Y10T 74/2084; Y10T 292/85; Y10T 16/458; Y10T 16/506; Y10T 70/5155; Y10T 16/46; Y10T 16/4559; Y10T 74/20828; Y10T 70/8541; Y10T 74/20612; Y10T 16/459; Y10T 16/487; Y10T 70/5389; Y10T 16/462; Y10T 16/4636; E05B 1/0007; E05B 3/00; Y10S 16/30; Y10S 292/53; Y10S 292/27
See application file for complete search history.

2,679,913	A *	6/1954	Scott	E05B 1/0015
					16/414
4,790,208	A *	12/1988	Johnson	G05G 1/12
					16/441
5,255,413	A *	10/1993	Sabo	A47B 95/02
					16/417
5,722,119	A *	3/1998	Wang	E05B 1/0015
					16/441
D570,184	S *	6/2008	Ricereto	D8/307
D579,303	S *	10/2008	Schneider	D8/307
D580,733	S *	11/2008	Hanes	D8/305
D602,330	S *	10/2009	Hanes	D8/307
D645,723	S *	9/2011	Roe	D8/307
D718,603	S *	12/2014	Ramsland	D8/307
D729,033	S *	5/2015	Zimmer	D8/307
D764,254	S *	8/2016	Zimmer	D8/307
D772,683	S *	11/2016	Han	D8/307
D776,511	S *	1/2017	Eads	D8/307
D786,648	S *	5/2017	Zimmer	D8/307

* cited by examiner

Primary Examiner — Lauren R Calve

(74) *Attorney, Agent, or Firm* — Schultz & Associates, P.C.

(57) **CLAIM**

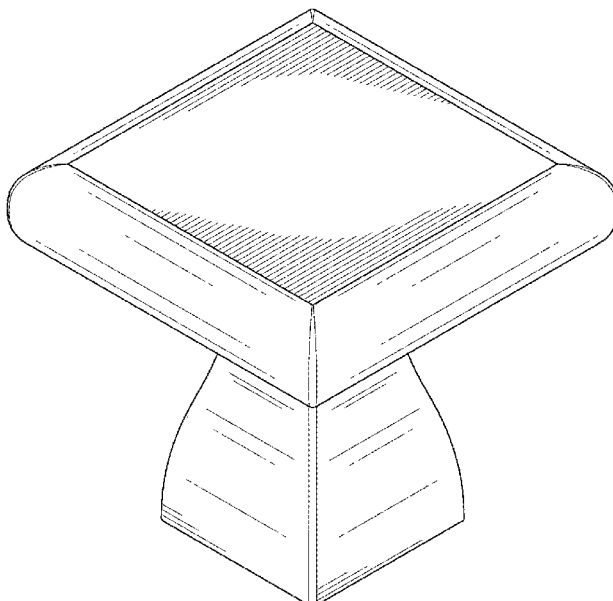
The ornamental design for a cabinet knob, as shown and described.

DESCRIPTION

FIG. 1 is a perspective view of a cabinet knob; FIG. 2 is a side elevation view thereof; FIG. 3 is a second side elevation view thereof; FIG. 4 is a top plan view thereof; and, FIG. 5 is a bottom plan view thereof. The broken lines shown represent unclaimed boundary lines and form no part of the claimed design.

1 Claim, 3 Drawing Sheets

- (56) **References Cited**
U.S. PATENT DOCUMENTS
1,918,243 A * 7/1933 Wanpouille B65D 39/16
220/521
2,190,192 A * 2/1940 Raymond E05B 1/0015
16/417



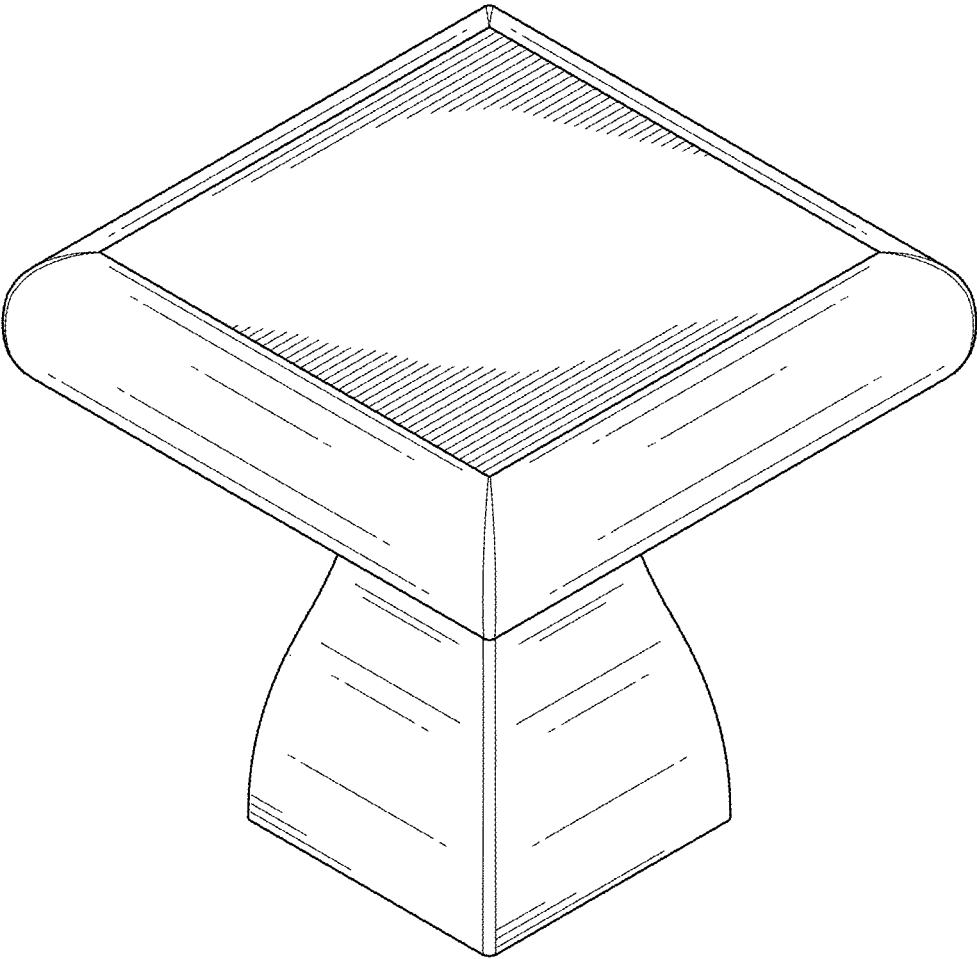


FIG. 1

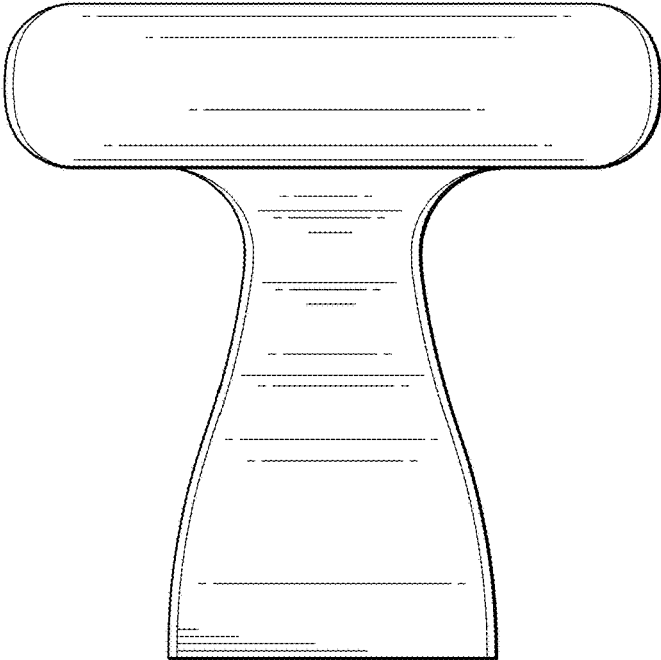


FIG. 2

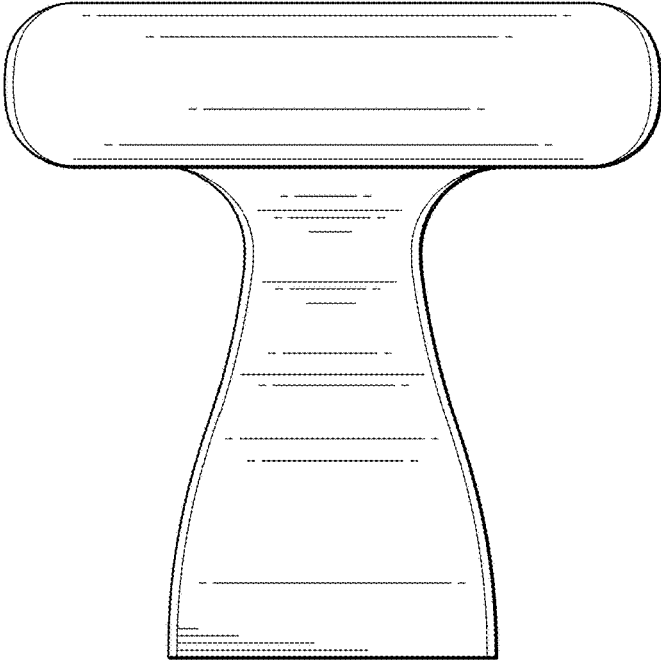


FIG. 3

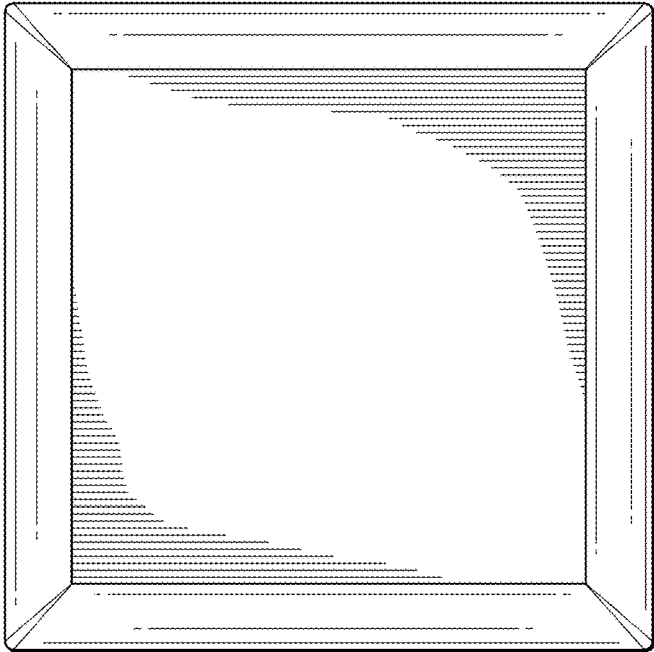


FIG. 4

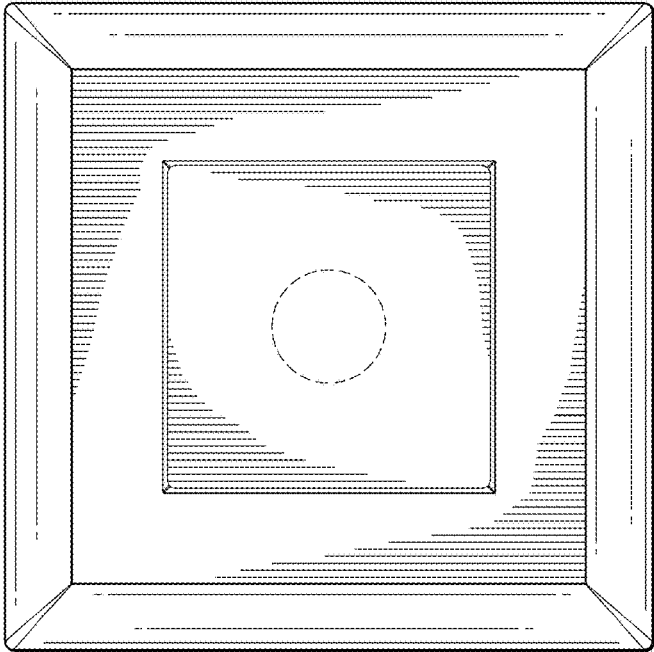


FIG. 5