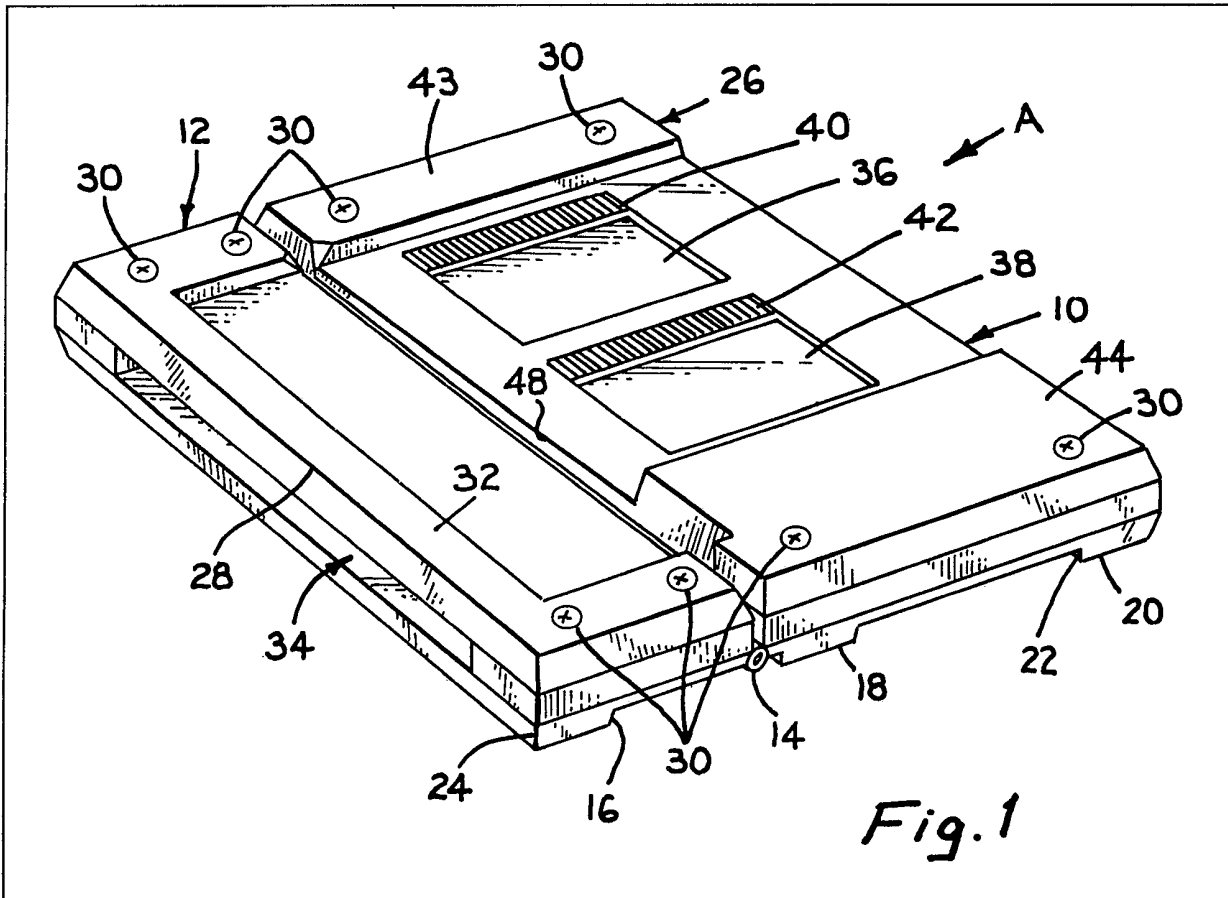


- (21) Application No 8237084
- (22) Date of filing 31 Dec 1982
- (43) Application published 18 Jul 1984
- (51) INT CL³ B28D 1/28
- (52) Domestic classification B5E 11
- (56) Documents cited None
- (58) Field of search B5E
- (71) Applicant Leslie Albert Whalley, 109 College Road, Norwich, Norfolk NR2 3JP.
- (72) Inventor Leslie Albert Whalley
- (74) Agent and/or Address for Service Keith W. Nash & Co., 90-92 Regent St., Cambridge CB2 1DP.

(54) Tile holder for tile trimming

(57) The holder has two hinged members 10 and 12. Each member has a slot 34, and a tile can be inserted through the slots to bridge the hinged joint 14 between the members. One member 12 can then be moved relative to the other member 10 after tile scribing to break the tile. To enable tiles of different sizes to be trimmed, one member 10 has a baseplate 22 and a removable coverplate 26. Both top and bottom of the coverplate have cutaway regions between side regions 43 and 44, but these regions are of different widths and depths. The coverplate can be secured either way up to baseplate 22 to allow tiles of different sizes to be accommodated.



GB 2 132 937 A

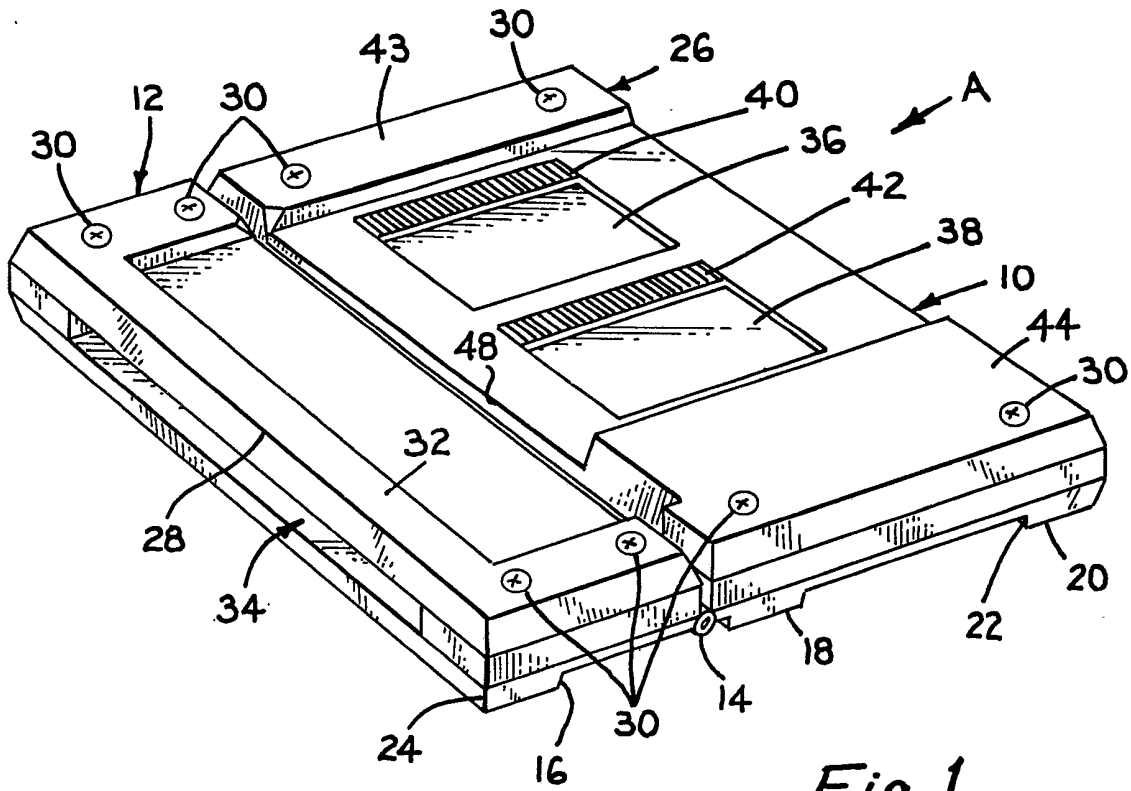


Fig. 1

2/2

2132937

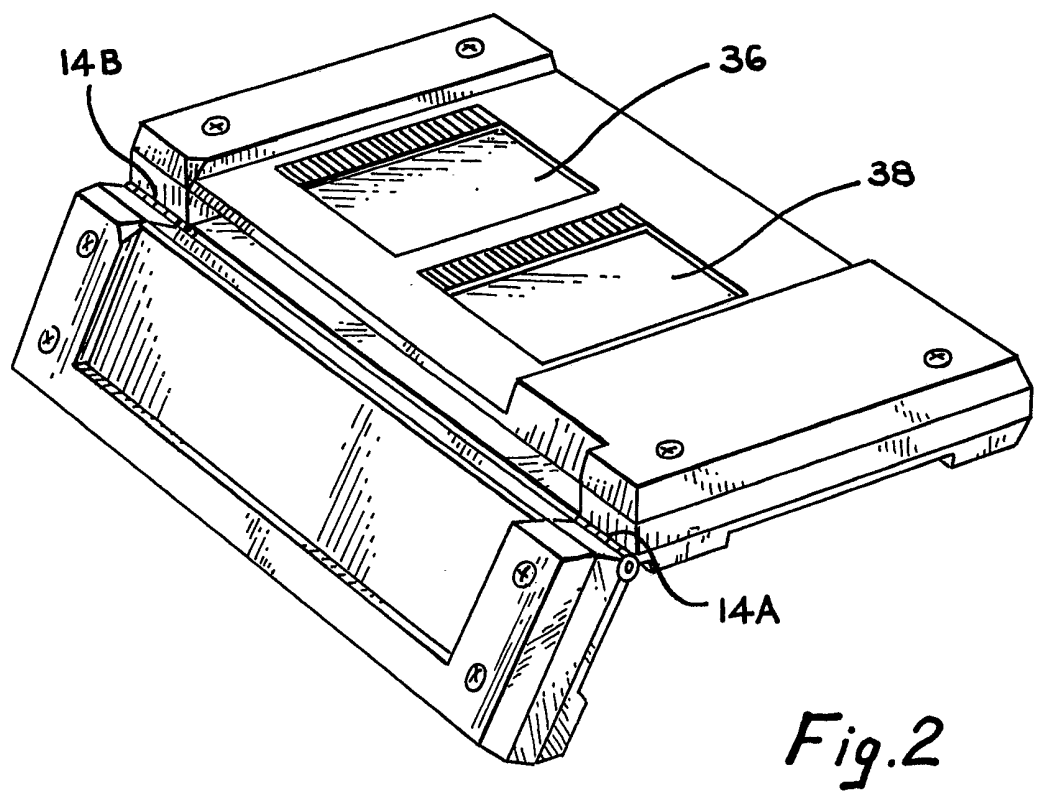


Fig. 2

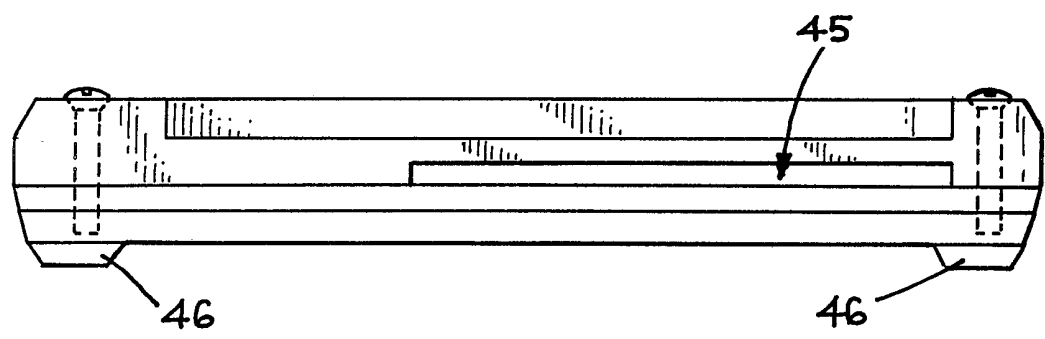


Fig. 3

SPECIFICATION

Improved tile trimming device*Field of invention*

5 This invention concerns devices by which ceramic tiles and the like can be cut and broken in a controlled manner to allow tiles to be cut to size.

Background to the invention

10 An improved tile trimming device is described in my copending Patent Application No 8139174.

The device described in the aforementioned application is not readily adapted to handling tiles of different size and it is an object of the present invention to provide a tile cutting and trimming device which can handle tiles of two different sizes.

Summary of the invention

20 According to the present invention a tile trimming device comprises

(1) a first slotted member into and through which a tile can be introduced;

(2) a second slotted member hingedly joined to the first said member and movable into relation with the first said member so that the slots in the two said members are aligned, the slot in the second said member being capable of receiving the protruding edge of a tile which has been pushed through the slot in the first said member;

(3) at least the second said member being formed from a baseplate to which the first said member is hingedly attached and a removable coverplate which can be fitted either way up on the baseplate, and which includes differently dimensioned cutaway regions on its upper and lower faces the lower facing one adjacent the hinge at any time cooperating with the baseplate to form the slot in the second said member whereby the size of the slot in the second said member can be altered by removing the said coverplate and repositioning and securing it in place with another cutaway region opposite the baseplate adjoining the hinge.

In a preferred embodiment a cutaway region in one face is wider than that in the other face so that different widths of tile can be accommodated.

In another embodiment each of the cutaway regions is formed in two sections so that either four different tile widths and thicknesses can be accommodated.

50 Preferably the upper adjoining edges of the two members are cut away to provide a V-shaped entrance and a gap is provided between the two opposed edges of the two members to permit a scribing tool to be inserted therein to scribe the surface of a tile in the aligned slots.

Conveniently, the hinge is located on the underside of the device and the undersides of both of the two said members are formed with feet to enable the device to stand square on a flat surface.

60 The removable coverplate may be held in place by screws or quick release fastenings or clips.

The invention will now be described by way of example with reference to the accompanying drawings in which:

65 *Figure 1* is a perspective view of a tile trimmer

embodying the invention;

Figure 2 shows how the two parts hinge relative to one another, and

70 *Figure 3* shows the different width slot obtained by reversing the upper coverplate of one of the two parts making up the device.

Detailed description of drawing

75 As shown in Figures 1 and 2 the improved trimmer comprises a large tile receiving slotted member 10 and a smaller slotted member 12. The two are hinged at 14 and allow the assembled unit to stand square on a flat surface.

80 Each member 10, 12 is formed from a baseplate 22, 24 respectively and by a removable coverplate 26, 28 respectively, the coverplates being secured to their respective baseplates by means of screws 30.

85 Each coverplate includes thicker peripheral regions such as 32 and reduced thickness central regions and coverplate 26 is cut away on both the top and the bottom so that depending on which way up it is fitted on the baseplate 22, so a slot is formed between the coverplate 26 and the baseplate 22.

90 The underside of the coverplate 28 is likewise cut away so that when fitted over the baseplate 24 will likewise form a slot as shown at 34.

The coverplate 26 is apertured at 36 and 38 to provide windows through which the edge of a tile can be received (the tile having been pushed through the aligned slots in the two sections one of which is shown at 34). Likewise the windows will allow the user to insert two fingers into contact with the tile to assist in holding it in place while scoring and/or breaking.

100 Each window 36, 38 includes a scale as at 40 and 42.

The peripheral side region 44 of coverplate 26 is wider than the opposite side region 42 of the coverplate 26 and it will be seen that if the coverplate 26 is reversed relative to the position shown in Figures 1 and 2, the slot width formed in the larger section 10 will be reduced.

110 *Figure 3* demonstrates how this is achieved, by an end view of the unit shown in *Figure 1* taken in the direction of the arrow A. The slot into which the tile is fitted is indicated by reference numeral 44.

To assist in keeping the unit stationary when in use, rubber feet or the like may be fitted to the underside as at 46.

115 The gap 48 between the two units allows a scoring tool to be inserted to score an inserted tile, to allow it to be broken by locating the unit at the edge of a table to allow the lefthand section 12 to be knocked down relative to the section 10, to break the tile along the score line.

CLAIMS (Filed on 19 Dec 1983)

125 1. A tile trimming device comprising a first slotted member into and through which a tile can be introduced, and a second slotted member hingedly joined to the first member and hingedly movable into relation with the first member so that the slots in the two members are aligned, the slot in the second member being capable of receiving the protruding

130

- edge of a tile which has been pushed through the slot in the first member, at least one of the members having a baseplate to which the other of the members is hinged and a removable coverplate
- 5 which can be fitted in different orientations on the baseplate, the coverplate including differently dimensioned cutaway regions the cutaway region which is adjacent the hinge at any time cooperating with the baseplate to form the slot, whereby the size
- 10 of the slot can be altered by removing the coverplate and reorienting it on the baseplate and securing it in place with a different cutaway region adjacent the hinge and cooperating with the baseplate to form the slot.
- 15 2. A device as claimed in Claim 1, wherein upper and lower faces of the coverplate have differently dimensioned cutaway regions, and the coverplate can be removed, and then turned over before resecuring it to the baseplate.
- 20 3. A device as claimed in Claim 2, wherein the cutaway region in one face is wider than that in the other face so that different widths of tile can be accommodated.
4. A device as claimed in any preceding claim
- 25 wherein one cutaway region is deeper than another region so that different thicknesses of tile can be accommodated.
5. A device as claimed in Claim 3 or Claim 4, wherein the cutaway regions on the two faces are
- 30 each divided into two sections, so that four different tile widths and/or thicknesses can be accommodated.
6. A device as claimed in any preceding claim, wherein the adjacent edges of the two members
- 35 provide a V-shaped groove between them to permit a scribing tool to be inserted in and drawn along the groove to scribe the surface of a tile in the aligned slots.
7. A device as claimed in any preceding claim,
- 40 wherein the hinge joining the members is located on the underside of the device and the undersides of the two members have feet to enable the device to stand square on a flat surface.
8. A device as claimed in any preceding claim,
- 45 wherein the removable coverplate is held in place by quick release fastenings.
9. A tile trimming device substantially as herein described with reference to the accompanying drawing.