



US00D680703S

(12) **United States Design Patent**  
Thomas et al.

(10) **Patent No.:** US D680,703 S

(45) **Date of Patent:** \*\* Apr. 23, 2013

(54) **COMBINED COVER AND PAN FOR A RECEPTACLE**

(75) Inventors: **David Scott Thomas**, Wolfeboro, NH (US); **Glenn Snider**, Lexington, NC (US)

(73) Assignee: **David Scott Thomas**, Wolfeboro, NH (US)

(\*\*) Term: **14 Years**

(21) Appl. No.: **29/423,254**

(22) Filed: **May 30, 2012**

(51) **LOC (9) Cl.** ..... **09-09**

(52) **U.S. Cl.**  
USPC ..... **D34/10**

(58) **Field of Classification Search** ..... D34/1-11;  
248/95, 97, 98, 99, 100, 101; 220/908.3  
See application file for complete search history.

(56) **References Cited**

U.S. PATENT DOCUMENTS

|               |         |                |        |
|---------------|---------|----------------|--------|
| 1,170,797 A   | 2/1916  | Burroughs      |        |
| 3,156,941 A   | 11/1964 | Tomaiuolo      |        |
| 3,390,804 A   | 7/1968  | Morgan         |        |
| 4,312,531 A   | 1/1982  | Cross          |        |
| 4,550,440 A   | 10/1985 | Rico           |        |
| 4,600,113 A   | 7/1986  | DeMars         |        |
| D296,142 S *  | 6/1988  | Adamson        | D34/7  |
| 4,795,046 A   | 1/1989  | Rath           |        |
| 4,802,258 A   | 2/1989  | Jensen         |        |
| 4,832,291 A * | 5/1989  | Nelson et al.  | 248/99 |
| 4,832,292 A * | 5/1989  | Beckham        | 248/99 |
| 4,890,733 A   | 1/1990  | Anderson       |        |
| 4,907,710 A   | 3/1990  | Bulkens        |        |
| 5,172,823 A   | 12/1992 | Moetteli       |        |
| 5,222,536 A   | 6/1993  | Hodgdon et al. |        |
| 5,407,089 A   | 4/1995  | Bird et al.    |        |
| D358,915 S *  | 5/1995  | O'Donoghue     | D32/54 |
| D391,717 S *  | 3/1998  | Stein          | D32/54 |

|                |         |               |         |
|----------------|---------|---------------|---------|
| 6,131,759 A    | 10/2000 | Young         |         |
| D439,718 S *   | 3/2001  | Thorpe        | D34/5   |
| D445,550 S *   | 7/2001  | Wigren et al. | D34/6   |
| 6,431,503 B1 * | 8/2002  | Horan         | 248/101 |
| 6,915,921 B2   | 7/2005  | Mensch        |         |
| 6,974,167 B2   | 12/2005 | Springs, II   |         |
| 7,131,552 B2   | 11/2006 | Simonson      |         |
| D533,701 S     | 12/2006 | Payton et al. |         |
| D537,597 S     | 2/2007  | Bolden        |         |
| 7,192,037 B1   | 3/2007  | Pena          |         |

(Continued)

OTHER PUBLICATIONS

U.S. Appl. No. 29/408,306, filed Dec. 9, 2011; entitled Collection and Cover Structure for a Receptacle.

(Continued)

Primary Examiner — Cynthia Ramirez

(74) Attorney, Agent, or Firm — Stevens & Showalter LLP

(57) **CLAIM**

The ornamental design for a combined cover and pan for a receptacle, as shown and described.

**DESCRIPTION**

FIG. 1 is a perspective view of a combined cover and pan for a receptacle, illustrated in use on a receptacle, showing our new design;

FIG. 2 is a front elevational view thereof;

FIG. 3 is a rear elevational view thereof;

FIG. 4 is a right-hand side view thereof, the left-hand side view being a mirror image thereof;

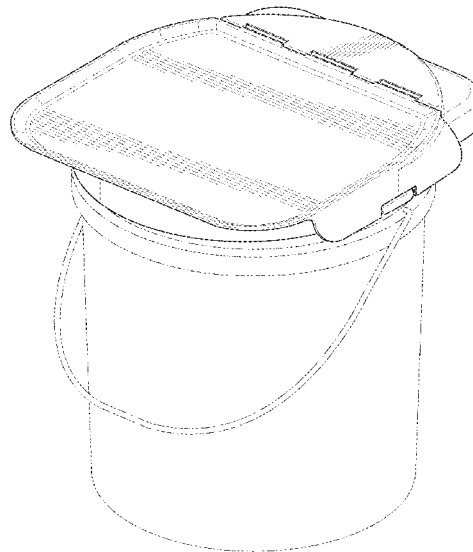
FIG. 5 is a top plan view thereof;

FIG. 6 is a bottom plan view thereof; and,

FIG. 7 is a perspective view thereof, illustrated in use on a receptacle, with a pan thereof in an open configuration.

The broken lines in FIGS. 1 and 7 are to show environment and form no part of the claimed design.

**1 Claim, 5 Drawing Sheets**



# US D680,703 S

Page 2

---

## U.S. PATENT DOCUMENTS

D552,351 S \* 10/2007 Bauers ..... D3/294  
D553,323 S \* 10/2007 Moomey  
D566,368 S \* 4/2008 Moomey ..... D34/10  
7,469,798 B1 12/2008 Miller  
D605,372 S \* 12/2009 Wilkinson ..... D34/6  
D632,447 S \* 2/2011 Lutz ..... D34/6  
D638,189 S \* 5/2011 Wolzen ..... D34/5  
D651,780 S \* 1/2012 Grasteit ..... D34/1

D668,417 S \* 10/2012 Thomas et al. .... D34/10  
2002/0100845 A1 \* 8/2002 Green ..... 248/101  
2003/0214141 A1 11/2003 Morris

## OTHER PUBLICATIONS

U.S. Appl. No. 29/408,309, filed Dec. 9, 2011; entitled Collection and Cover Structure for a Receptacle.

\* cited by examiner

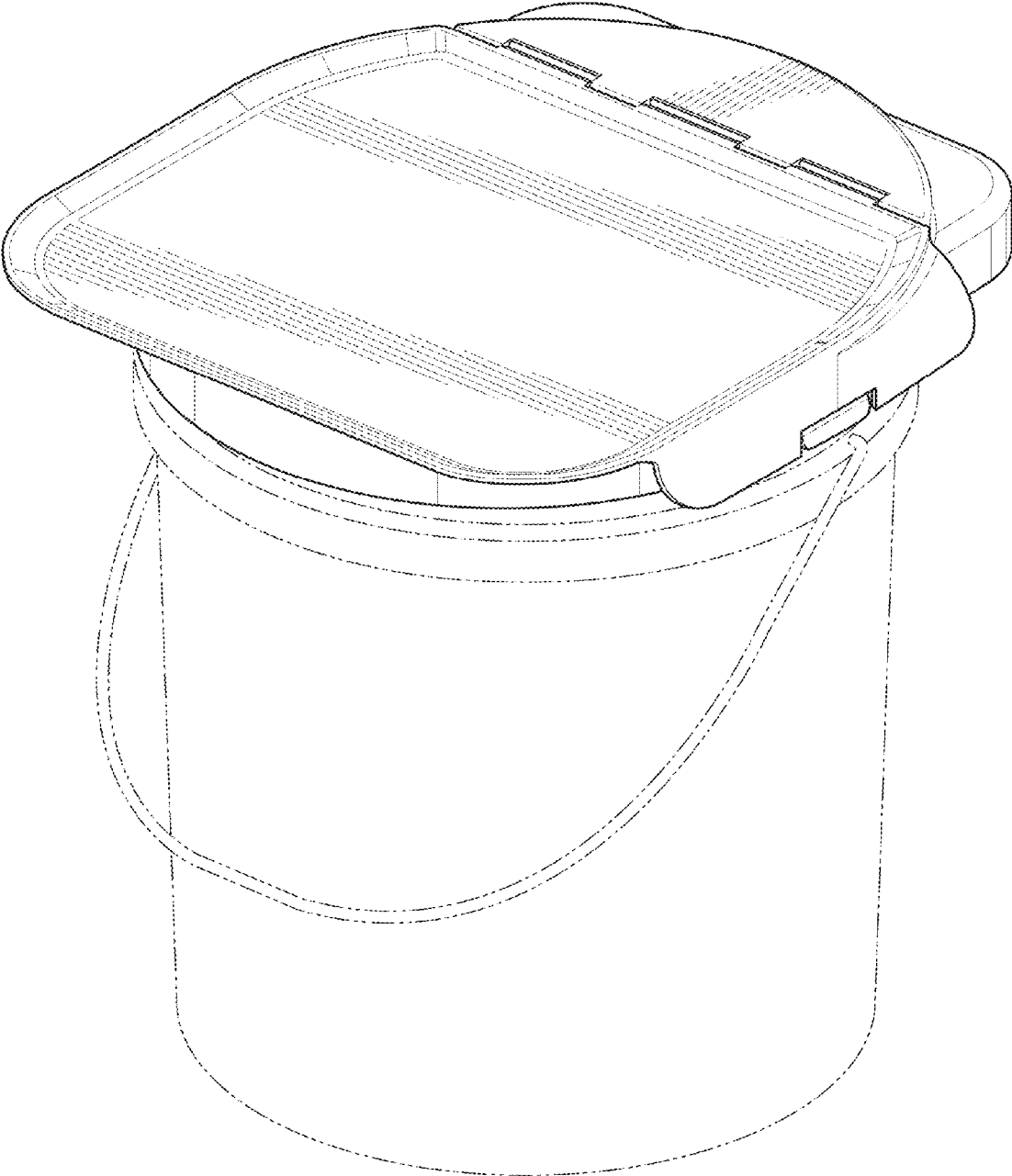


FIG. 1

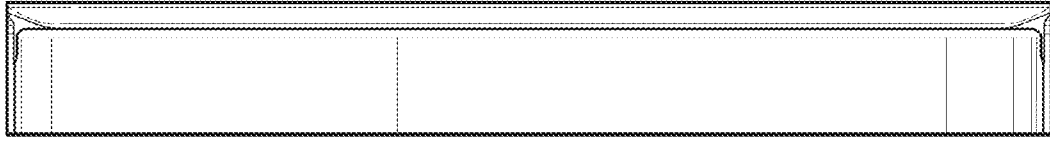


FIG. 2

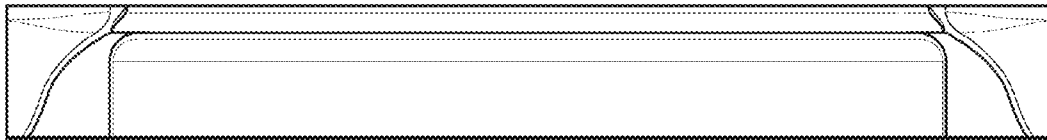


FIG. 3

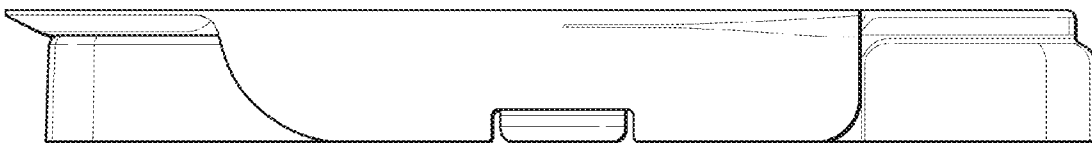


FIG. 4

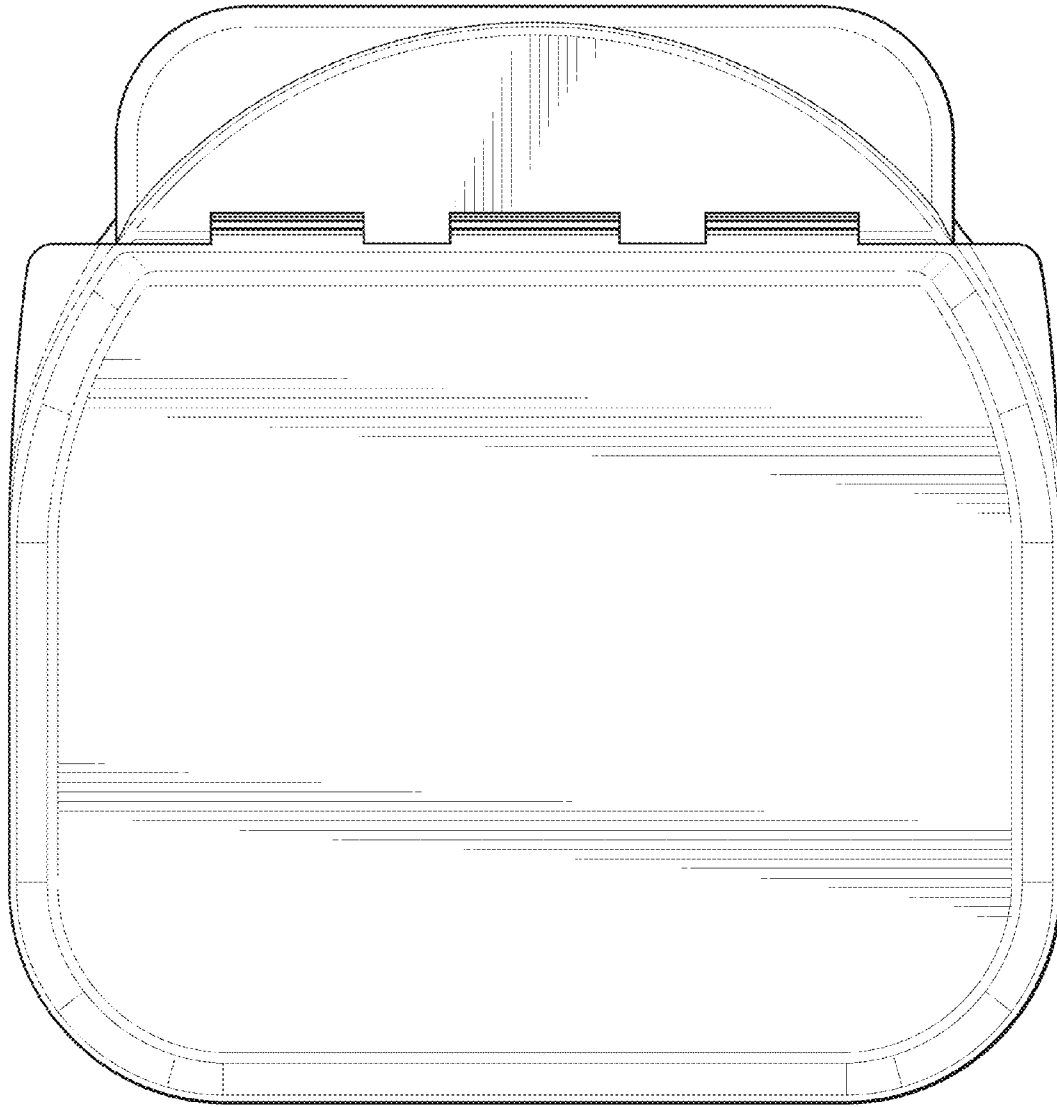


FIG. 5

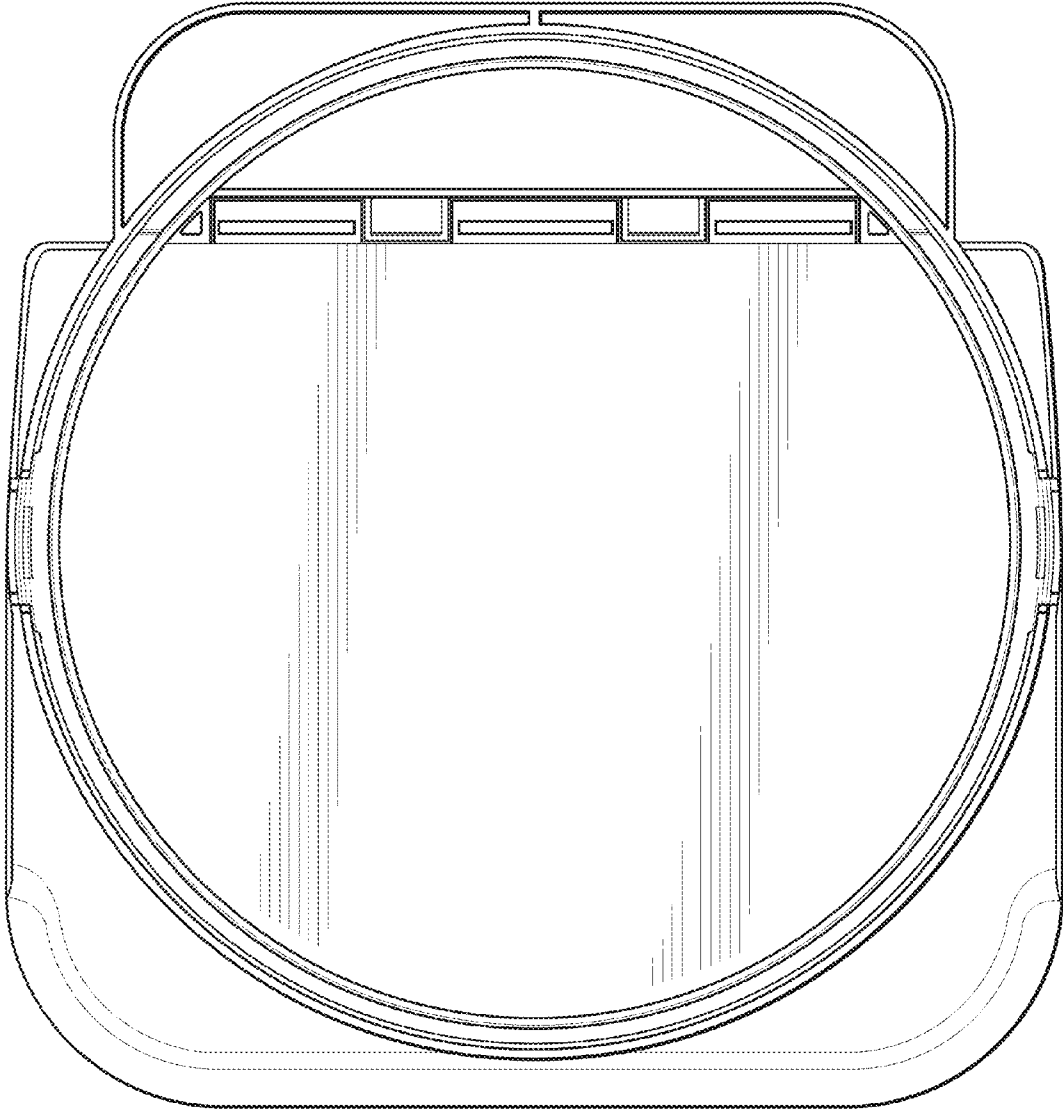


FIG. 6

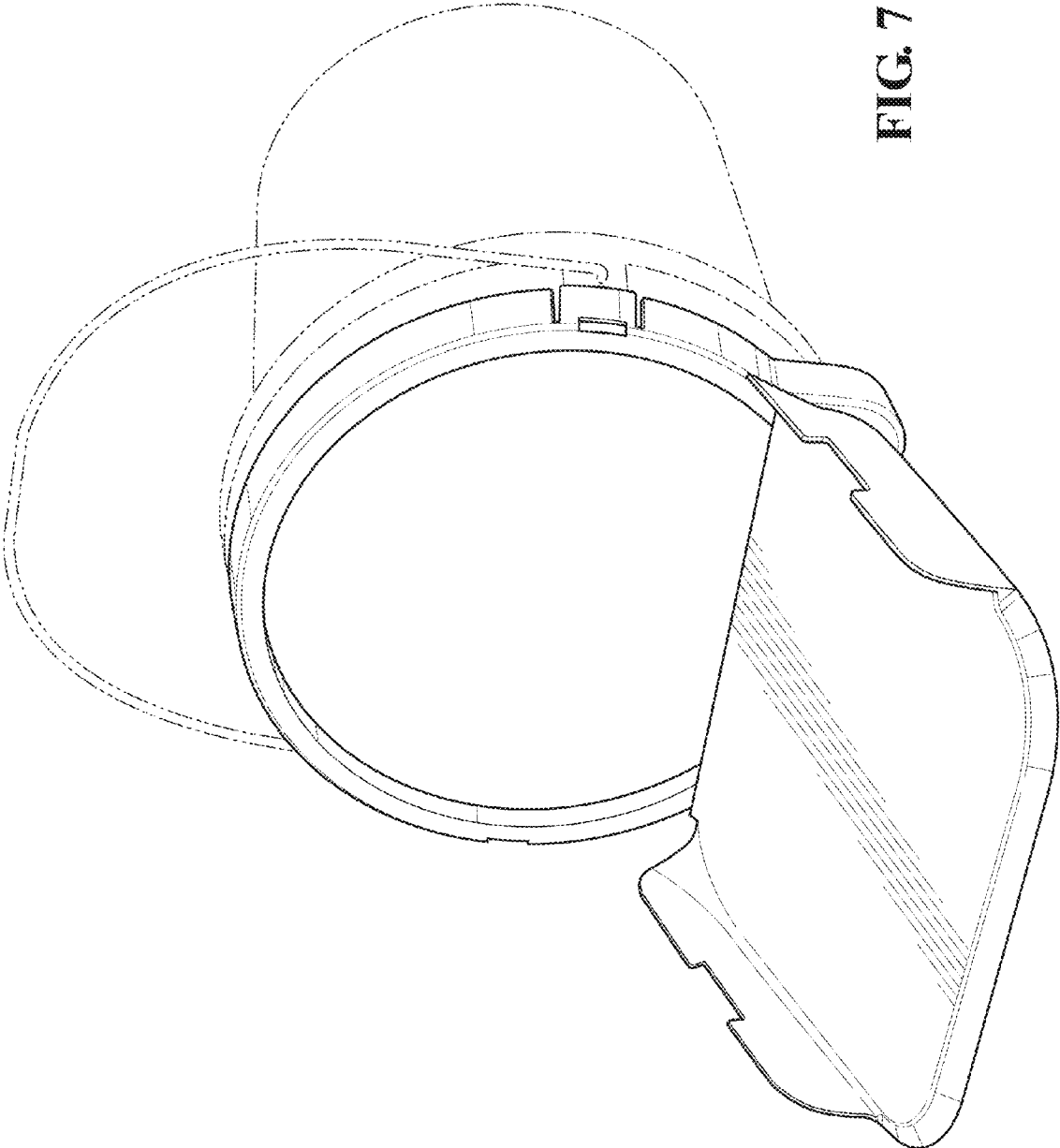


FIG. 7