



US00D750406S

(12) **United States Design Patent**  
**Smith et al.**

(10) **Patent No.:** **US D750,406 S**  
(45) **Date of Patent:** **\*\* Mar. 1, 2016**

(54) **CHAIR ASSEMBLY**

(71) Applicant: **Steelcase Inc.**, Grand Rapids, MI (US)

(72) Inventors: **Bruce M. Smith**, East Grand Rapids, MI (US); **Gordon J. Peterson**, Rockford, MI (US); **Glen Oliver Löw**, Hamburg (DE); **James N. Ludwig**, East Grand Rapids, MI (US); **Robert J. Battey**, Middleville, MI (US)

(73) Assignee: **Steelcase Inc.**, Grand Rapids, MI (US)

(\*\*) Term: **14 Years**

(21) Appl. No.: **29/523,540**

(22) Filed: **Apr. 10, 2015**

**Related U.S. Application Data**

(63) Continuation of application No. 14/029,273, filed on Sep. 17, 2013, which is a continuation of application No. 29/432,776, filed on Sep. 20, 2012, now Pat. No. Des. 697,729.

(51) **LOC (10) Cl.** ..... **06-01**

(52) **U.S. Cl.**

USPC ..... **D6/716.4**

(58) **Field of Classification Search**

USPC ..... D6/334-336, 364, 365, 366, 367, 374, D6/376, 379, 716, 716.1, 716.2, 716.3, D6/716.4

CPC ..... A47C 7/46; A47C 7/54; A47C 7/022; A47C 7/40; B60N 2/66; B60N 2/663

See application file for complete search history.

(56) **References Cited**

**U.S. PATENT DOCUMENTS**

1,782,815 A 11/1930 Fry  
2,258,119 A 10/1941 Hipsley et al.

2,361,370 A 10/1944 Grunwald  
2,394,969 A 2/1946 Robinson  
2,661,051 A 12/1953 McCormick  
2,673,600 A 3/1954 Cramer  
2,786,513 A 3/1957 Hoven et al.  
2,946,374 A 7/1960 Dickey  
3,174,797 A 3/1965 Neufeld  
3,215,468 A 11/1965 Swenson et al.  
3,223,450 A 12/1965 Pollock  
3,669,499 A 6/1972 Semplonius et al.  
3,695,707 A 10/1972 Barecki et al.  
3,722,950 A 3/1973 Harnick  
3,797,887 A 3/1974 Barecki et al.  
3,874,731 A 4/1975 Jordan

(Continued)

**FOREIGN PATENT DOCUMENTS**

DE 3629883 3/1988  
EP 0033779 8/1981

(Continued)

*Primary Examiner* — Mimoso De

(74) *Attorney, Agent, or Firm* — Price Heneveld LLP

(57)

**CLAIM**

We claim the ornamental design for the chair assembly as shown and described.

**DESCRIPTION**

FIG. 1 is a perspective view of a chair embodying the present invention;

FIG. 2 is a front view of the chair;

FIG. 3 is a first side view of the chair;

FIG. 4 is a second side view of the chair;

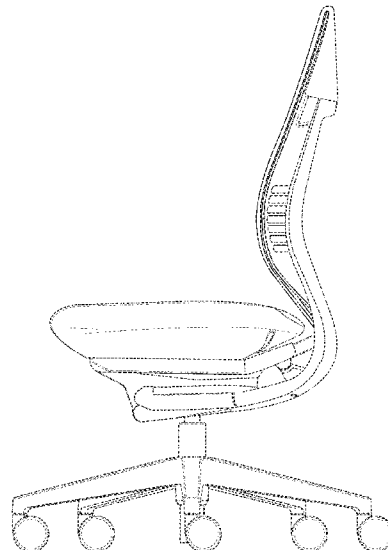
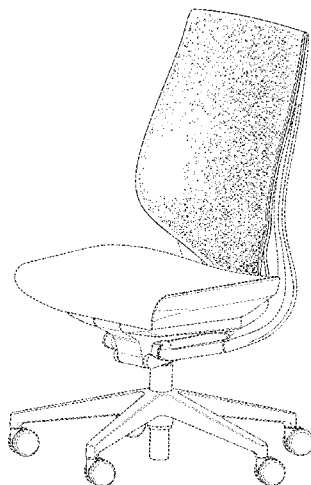
FIG. 5 is a rear view of the chair;

FIG. 6 is a top view of the chair; and,

FIG. 7 is a bottom view of the chair.

The broken lines in the drawings are for illustrative purposes only and form no part of the claimed design.

**1 Claim, 7 Drawing Sheets**



(56)

References Cited

U.S. PATENT DOCUMENTS

4,106,739 A 8/1978 Gasser  
 4,157,203 A 6/1979 Ambasz  
 4,333,683 A 6/1982 Ambasz  
 4,385,783 A 5/1983 Stephens  
 4,420,186 A 12/1983 Vogt  
 4,580,836 A 4/1986 Verney  
 4,597,605 A 7/1986 Gilbert  
 4,711,491 A 12/1987 Ginat  
 4,744,600 A 5/1988 Inoue  
 4,772,070 A 9/1988 Leto, Jr. et al.  
 4,773,707 A 9/1988 Vadala  
 4,795,215 A 1/1989 Shimada  
 4,836,609 A 6/1989 Hill  
 4,856,846 A 8/1989 Lohmeyer  
 4,869,552 A 9/1989 Saul et al.  
 4,875,734 A 10/1989 Yokoyama  
 4,900,085 A 2/1990 Tobler  
 5,015,034 A 5/1991 Kindig et al.  
 5,102,196 A 4/1992 Kaneda et al.  
 5,265,292 A 11/1993 Underell  
 5,297,851 A 3/1994 Van Hekken  
 5,314,240 A 5/1994 Ishi et al.  
 5,326,155 A 7/1994 Wild  
 5,338,092 A 8/1994 Wiltsey et al.  
 5,527,097 A 6/1996 Martin  
 5,529,373 A 6/1996 Olson et al.  
 5,630,643 A 5/1997 Scholten et al.  
 5,704,688 A 1/1998 Schrewe et al.  
 5,704,691 A 1/1998 Olson  
 5,716,096 A 2/1998 Pryde et al.  
 5,746,477 A 5/1998 Saul  
 5,836,647 A 11/1998 Turman  
 5,845,967 A 12/1998 Kane et al.  
 5,904,397 A 5/1999 Fismen  
 5,944,382 A 8/1999 Ambasz  
 6,027,164 A 2/2000 Jakubiec et al.  
 6,033,027 A 3/2000 Conner et al.  
 6,116,687 A 9/2000 Vogtherr  
 6,199,900 B1 3/2001 Zeigler  
 6,220,661 B1 4/2001 Peterson  
 6,257,665 B1 7/2001 Nagamitsu et al.  
 6,394,542 B2 5/2002 Potisch et al.  
 6,499,801 B1 12/2002 Peterson et al.  
 6,508,509 B2 1/2003 Peterson  
 6,616,228 B2 9/2003 Heidmann  
 6,726,278 B1 4/2004 Albricht et al.  
 6,739,663 B2 5/2004 Gevaert  
 6,896,327 B1 5/2005 Barile, Sr.  
 7,055,911 B2 6/2006 Simpson et al.  
 7,104,607 B2 9/2006 Yasuda et al.  
 7,419,212 B2 9/2008 Haygood et al.  
 7,419,221 B2 9/2008 Fisher et al.  
 7,425,040 B1 9/2008 Honma  
 7,427,105 B2 9/2008 Knoblock et al.

7,490,392 B2 2/2009 Peterson  
 7,527,335 B2 5/2009 Eberlein et al.  
 D612,642 S \* 3/2010 Cassaday ..... D6/716.4  
 7,798,573 B2 9/2010 Pennington et al.  
 7,828,387 B2 11/2010 Yoshizawa  
 7,837,260 B2 11/2010 Hein et al.  
 7,887,137 B2 2/2011 Fisher et al.  
 7,922,248 B2 4/2011 Aldrich et al.  
 8,011,732 B2 9/2011 Lindsay  
 8,029,066 B2 10/2011 Su  
 D656,329 S \* 3/2012 Nakamura et al. .... D6/366  
 8,152,235 B2 4/2012 McElmurry  
 D683,151 S \* 5/2013 Smith et al. .... D6/366  
 D688,497 S \* 8/2013 Smith et al. .... D6/716  
 D688,498 S \* 8/2013 Smith et al. .... D6/716  
 D688,499 S \* 8/2013 Smith et al. .... D6/716  
 D688,500 S \* 8/2013 Smith et al. .... D6/716  
 D688,501 S \* 8/2013 Smith et al. .... D6/716  
 D688,503 S \* 8/2013 Smith et al. .... D6/716.4  
 D688,504 S \* 8/2013 Smith et al. .... D6/716.4  
 D688,505 S \* 8/2013 Smith et al. .... D6/716.4  
 D694,536 S \* 12/2013 Smith et al. .... D6/366  
 D694,537 S \* 12/2013 Smith et al. .... D6/366  
 D694,540 S \* 12/2013 Smith et al. .... D6/366  
 D697,726 S \* 1/2014 Smith et al. .... D6/366  
 D697,727 S \* 1/2014 Smith et al. .... D6/366  
 D697,728 S \* 1/2014 Smith et al. .... D6/366  
 D697,729 S \* 1/2014 Smith et al. .... D6/366  
 D697,730 S \* 1/2014 Smith et al. .... D6/366  
 D698,164 S \* 1/2014 Smith et al. .... D6/366  
 D698,165 S \* 1/2014 Smith et al. .... D6/366  
 D699,957 S \* 2/2014 Smith et al. .... D6/366  
 D699,958 S \* 2/2014 Smith et al. .... D6/366  
 D699,959 S \* 2/2014 Smith et al. .... D6/366  
 D701,053 S \* 3/2014 Smith et al. .... D6/366  
 2007/0126276 A1 6/2007 Peterson  
 2009/0284060 A1 11/2009 Charoenapornwatana  
 2009/0322129 A1 12/2009 Rodill et al.  
 2010/0176633 A1 7/2010 Brncick et al.  
 2014/0077543 A1 \* 3/2014 Krupiczewicz et al. .... 7/40

FOREIGN PATENT DOCUMENTS

EP 0555559 8/1993  
 EP 1106428 6/2001  
 EP 2534978 12/2012  
 JP 2002125800 5/2002  
 JP 2004135768 5/2004  
 JP 2005168746 6/2005  
 JP 2012081056 4/2012  
 JP 2012135490 7/2012  
 JP 2012135491 7/2012  
 JP 2012135492 7/2012  
 NZ 0515700 3/2003  
 WO 9920155 4/1999  
 WO 0224032 3/2002

\* cited by examiner

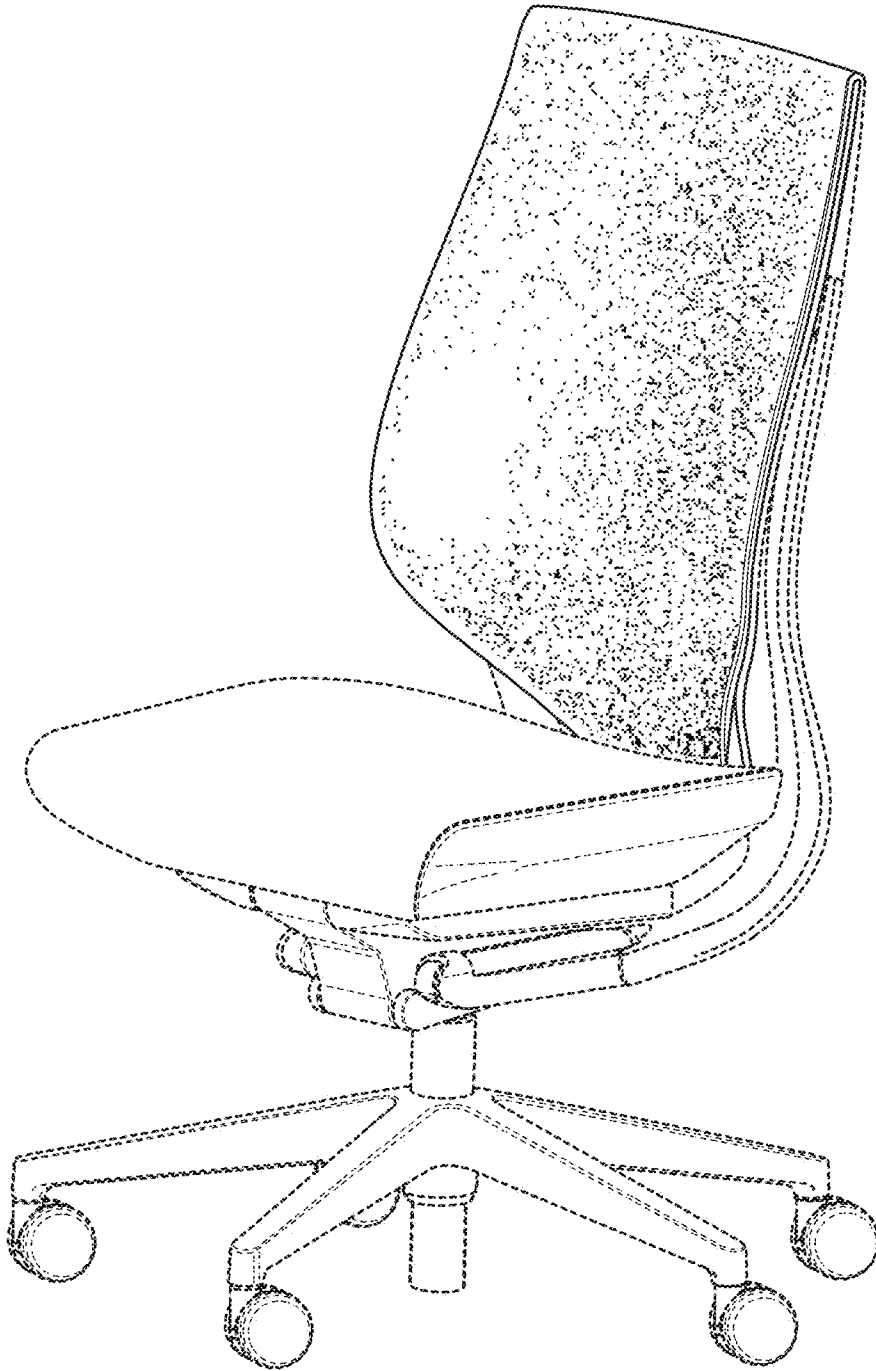


FIG. 1

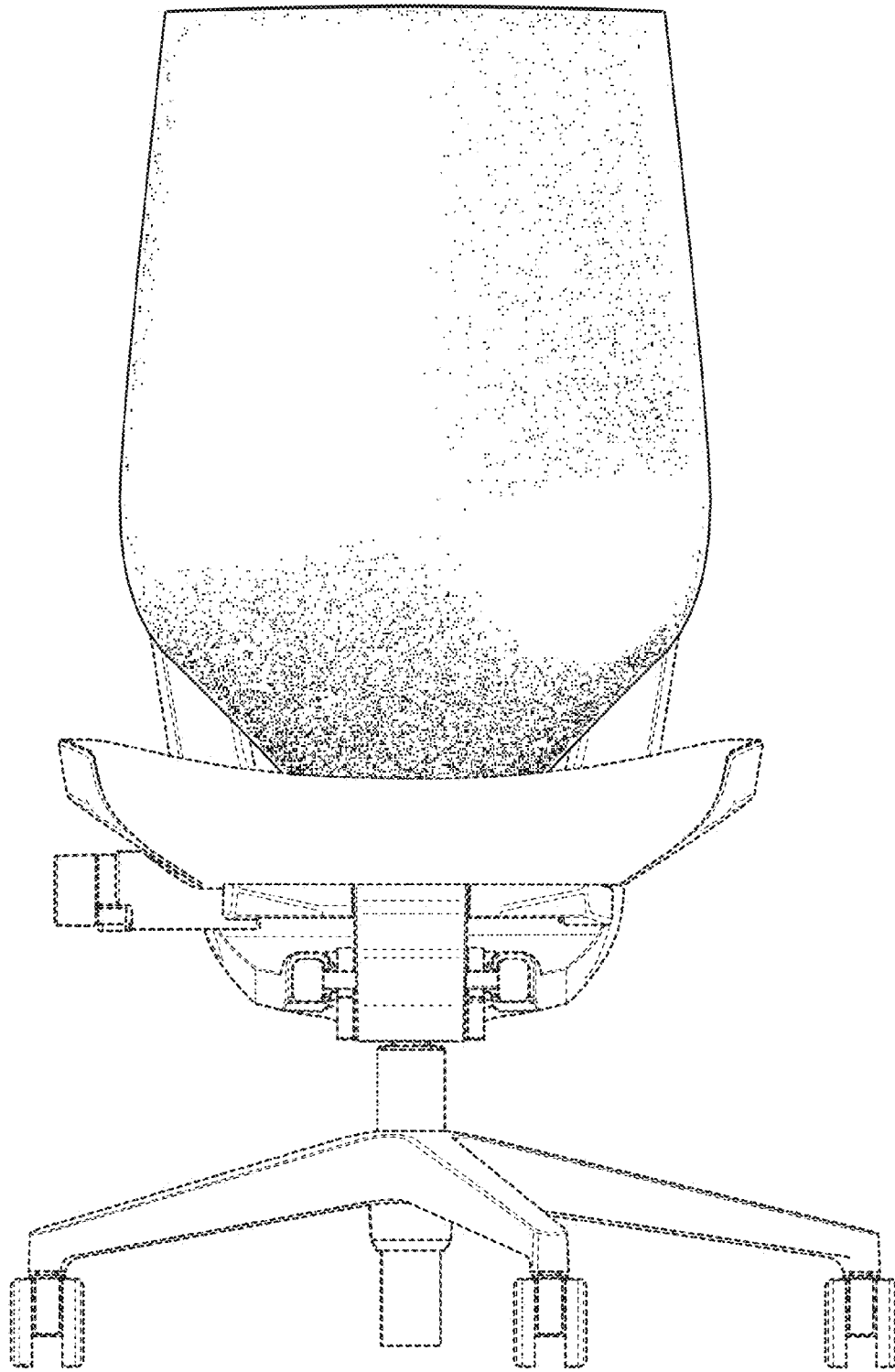


FIG. 2

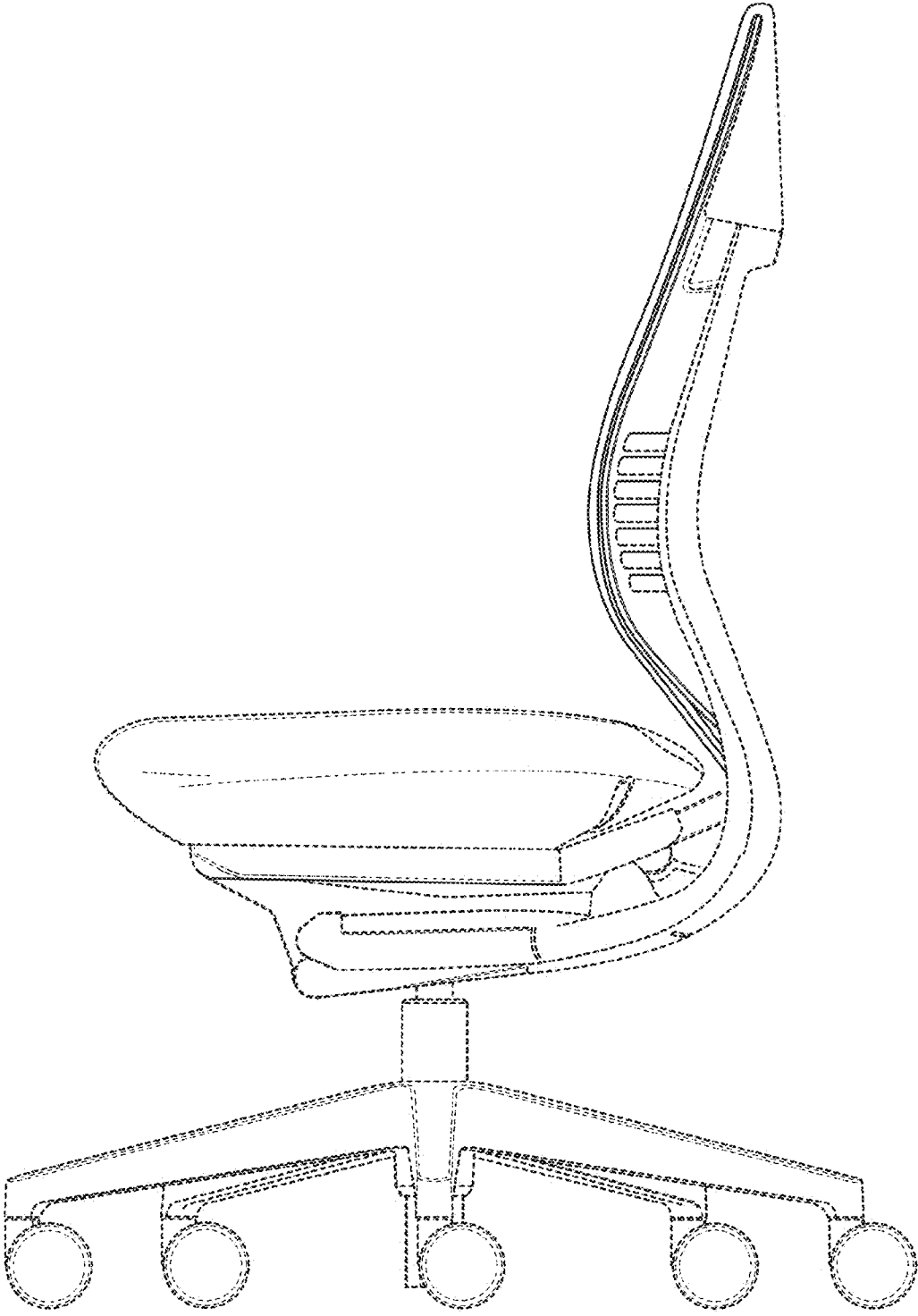


FIG. 3

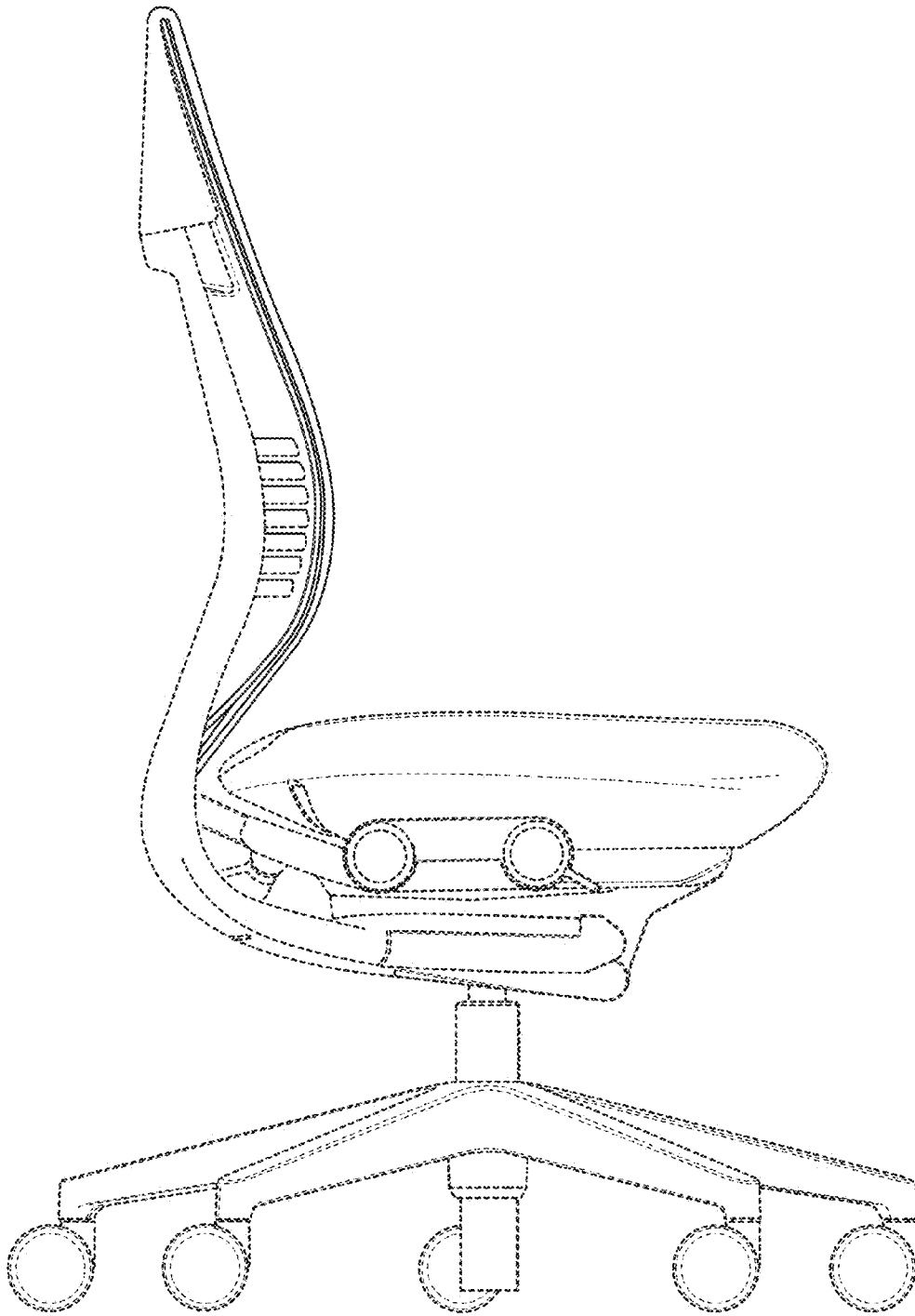


FIG. 4

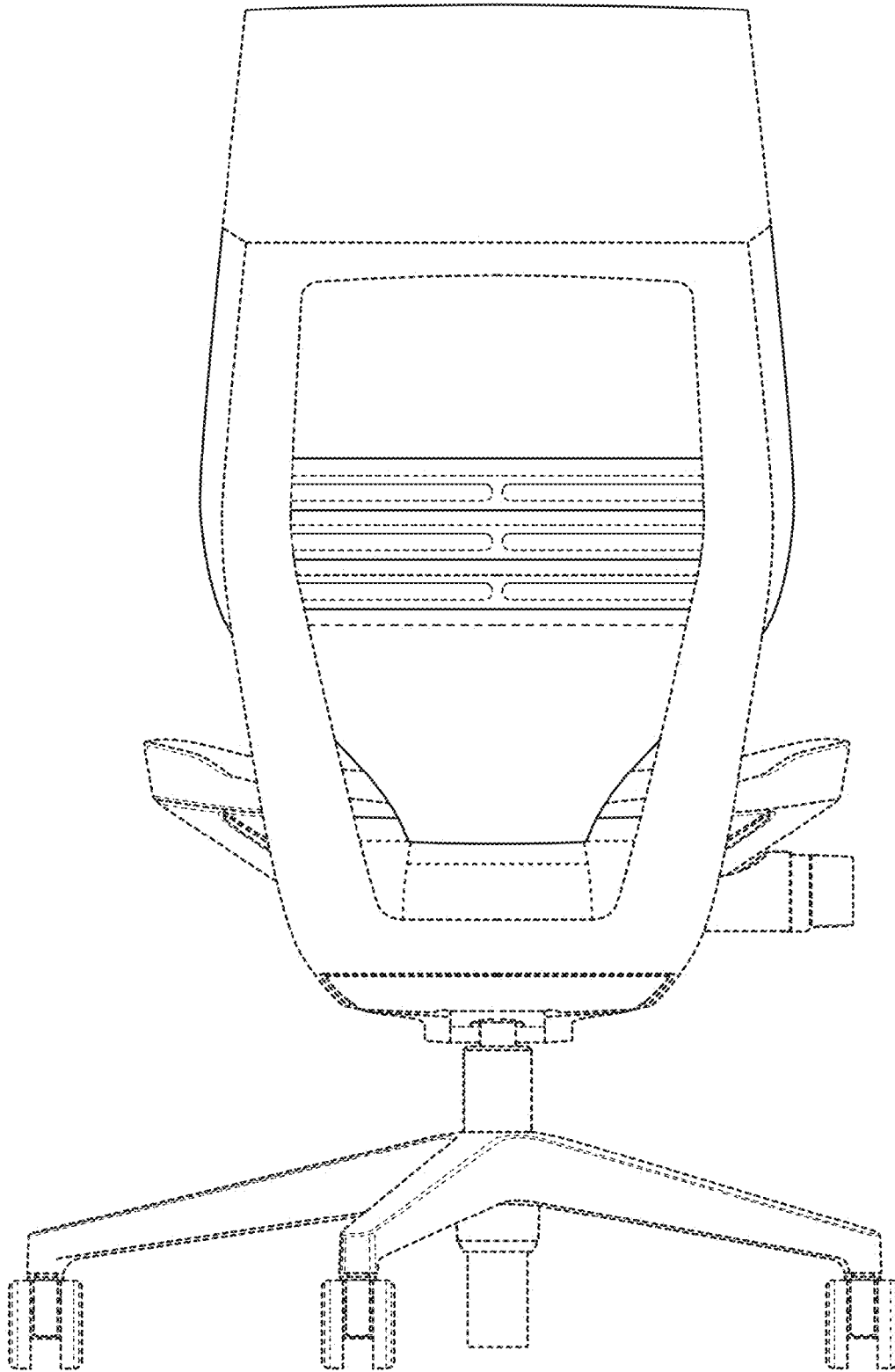


FIG. 5

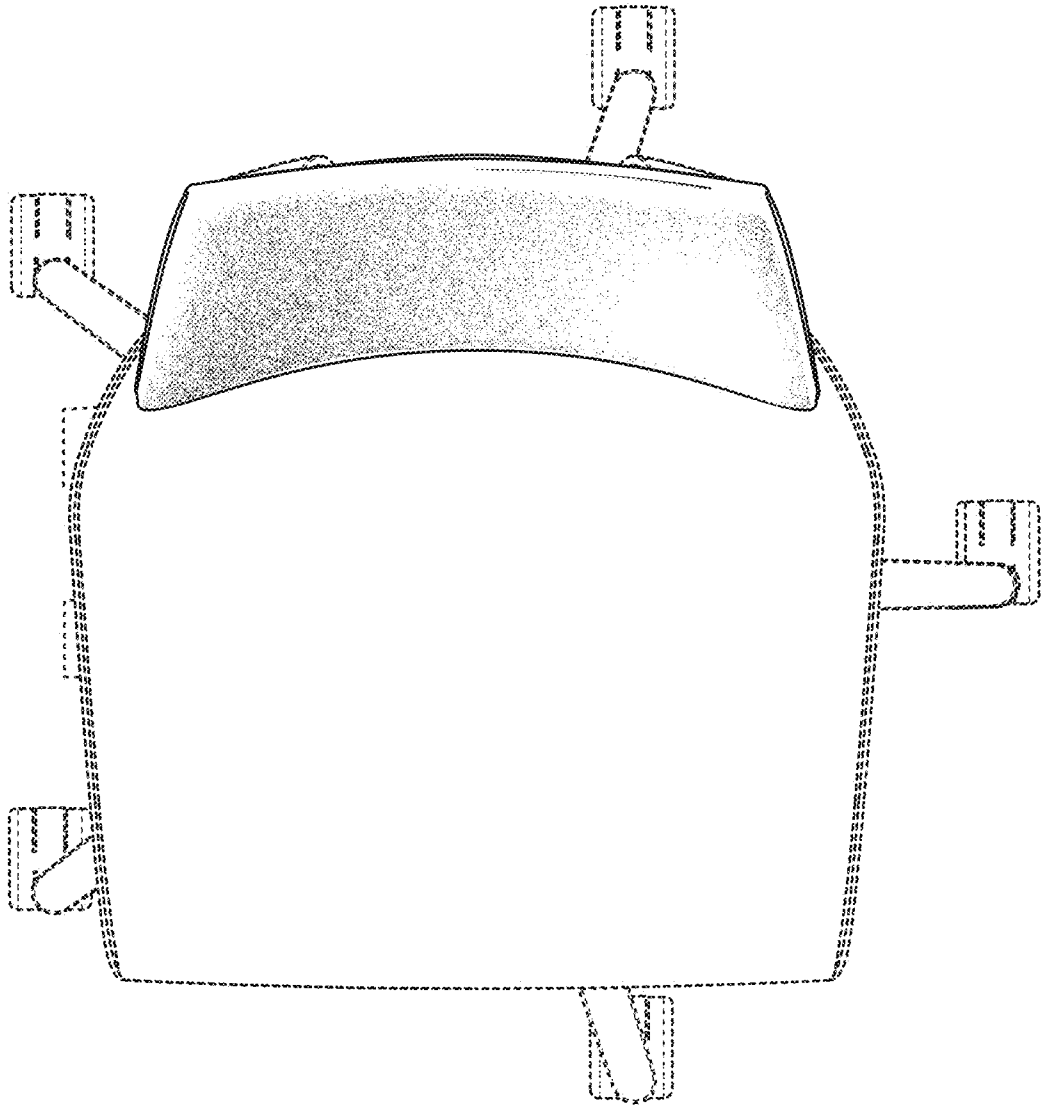


FIG. 6



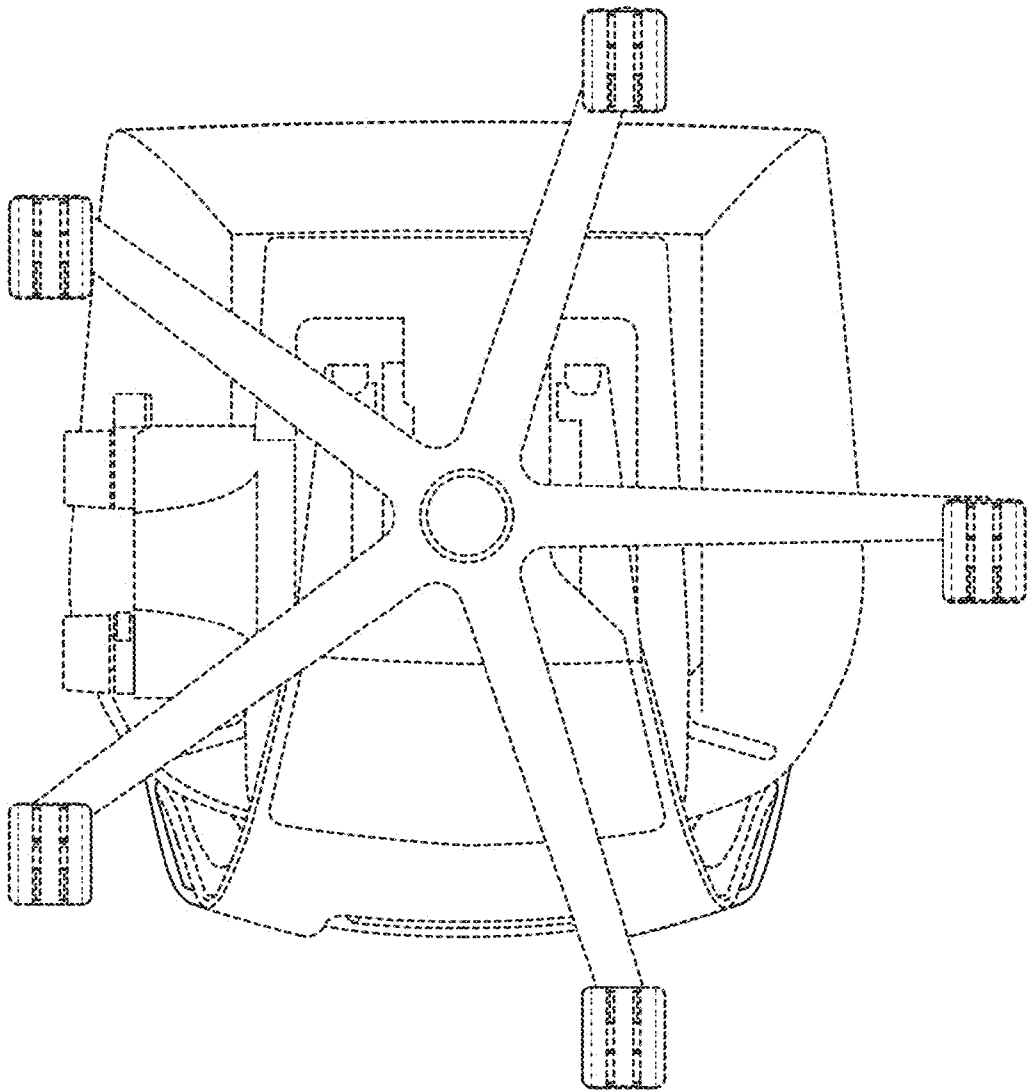


FIG. 7