



US00D882838S

(12) **United States Design Patent**  
**Mao**

(10) **Patent No.:** **US D882,838 S**

(45) **Date of Patent:** **\*\* Apr. 28, 2020**

(54) **HANDHELD WORK LIGHT**

D773,555 S *	12/2016	Alba .....	D19/1
D775,688 S *	1/2017	Li .....	D19/1
D813,944 S *	3/2018	Sato .....	D19/1
D841,087 S *	2/2019	Jameson .....	D19/1
D856,414 S *	8/2019	Jameson .....	D19/1

(71) Applicant: **Ningbo Sunree Outdoor Products Co., Ltd.**, Zhejiang (CN)

(72) Inventor: **Huanjun Mao**, Zhejiang (CN)

\* cited by examiner

(\*\*) Term: **15 Years**

*Primary Examiner* — Abraham Bahta

(21) Appl. No.: **29/667,391**

(74) *Attorney, Agent, or Firm* — Prakash Nama; Global IP Services, PLLC

(22) Filed: **Oct. 22, 2018**

(51) **LOC (12) Cl.** ..... **26-02**

(57) **CLAIM**

(52) **U.S. Cl.**  
USPC ..... **D26/37**

The ornamental design for a handheld work light, as shown and described.

(58) **Field of Classification Search**

USPC ..... D26/1, 24, 25, 43, 60, 110, 113, 28, 37, D26/61, 85, 102, 138-140, 39; 362/249.14, 311.02, 311.13

CPC ..... F21S 4/00; F21S 4/10; F21S 4/15; F21S 4/26; F21S 2/00; F21V 11/02; F21V 11/06; F21V 17/10; F21V 17/16; F21V 23/00; F21V 23/04; F21V 33/00; F21W 2121/00; F21W 2121/04; F21Y 2115/10; F21L 4/00; F21L 4/02; F21L 4/04; F21L 4/08

See application file for complete search history.

**DESCRIPTION**

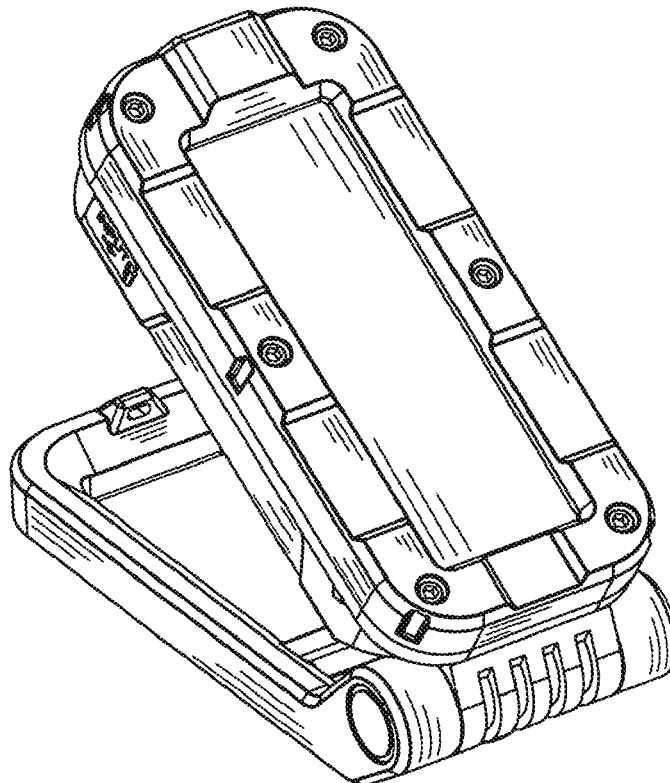
FIG. 1 is a bottom plan view of a handheld work light showing my new design;  
 FIG. 2 is a front elevational view thereof;  
 FIG. 3 is a top plan view thereof;  
 FIG. 4 is a right side view thereof;  
 FIG. 5 is a left side view thereof;  
 FIG. 6 is a rear elevational view thereof;  
 FIG. 7 is a rear, bottom, right perspective view thereof, wherein the handheld work light is in a completely open position; and,  
 FIG. 8 is another perspective view thereof, wherein the Handheld work light is in a partially open position.

(56) **References Cited**

**U.S. PATENT DOCUMENTS**

D448,404 S *	9/2001	Hamilton .....	D19/1
D700,651 S *	3/2014	Tovar .....	D19/1

**1 Claim, 3 Drawing Sheets**



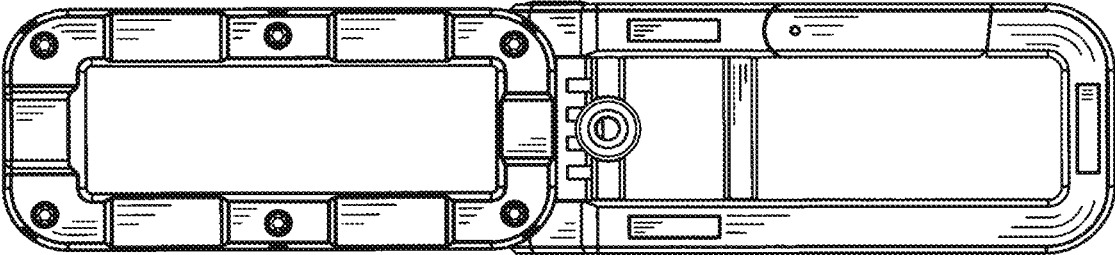


Fig. 1

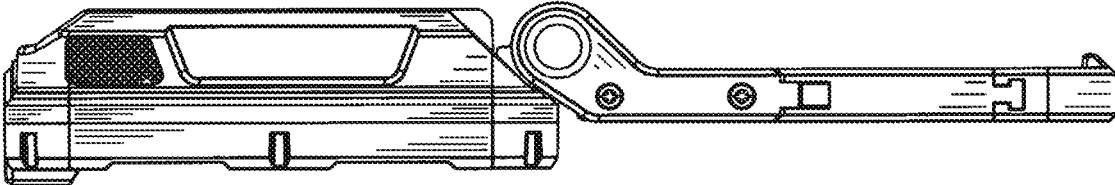


Fig. 2

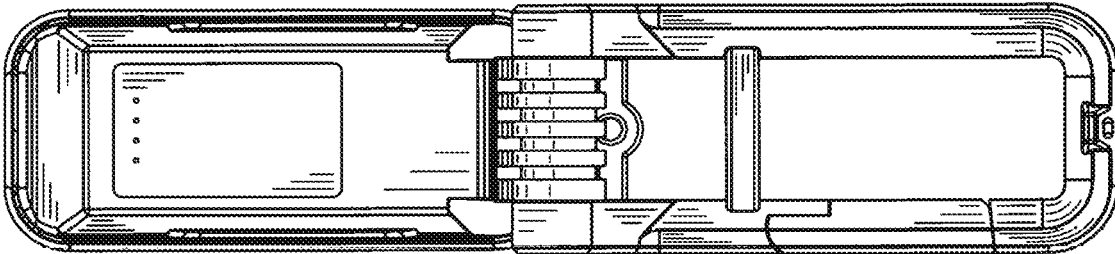


Fig. 3

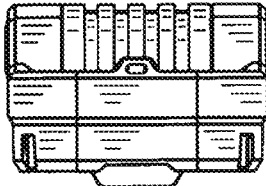


Fig. 4

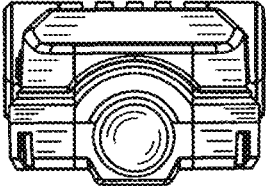


Fig. 5

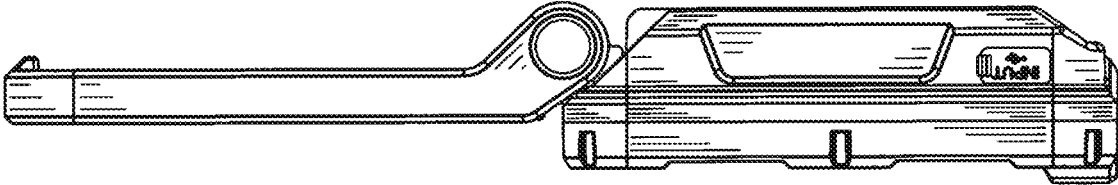


Fig. 6

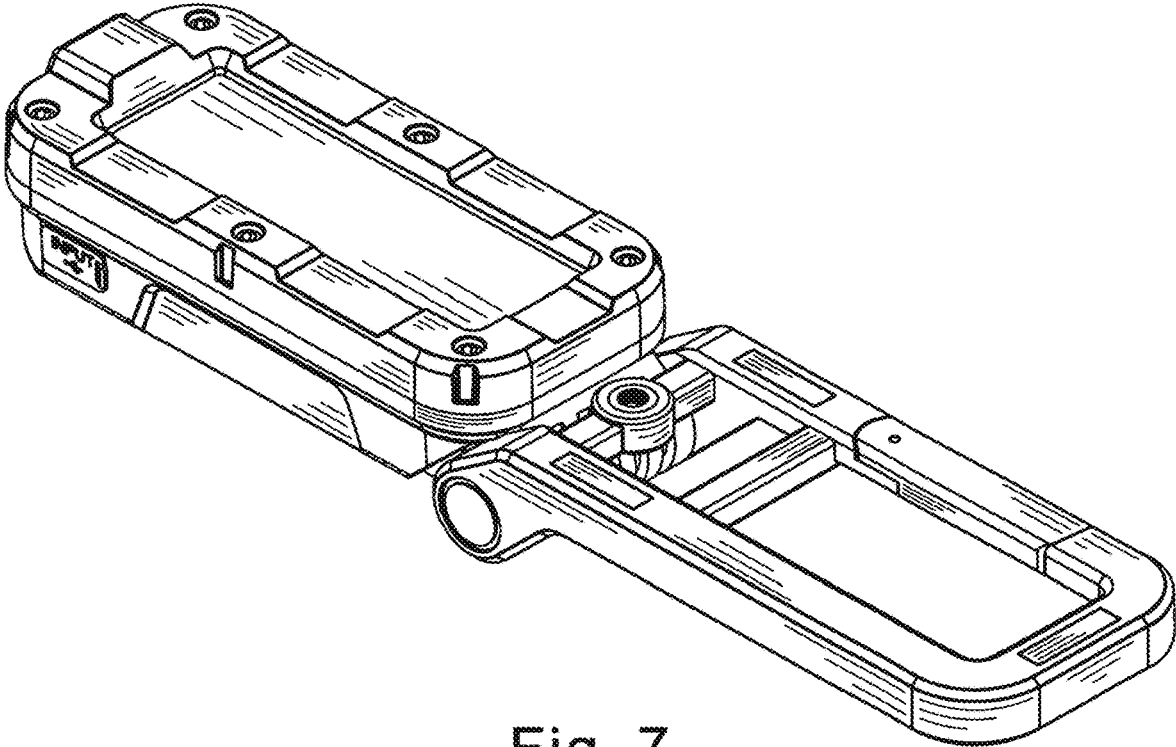


Fig. 7

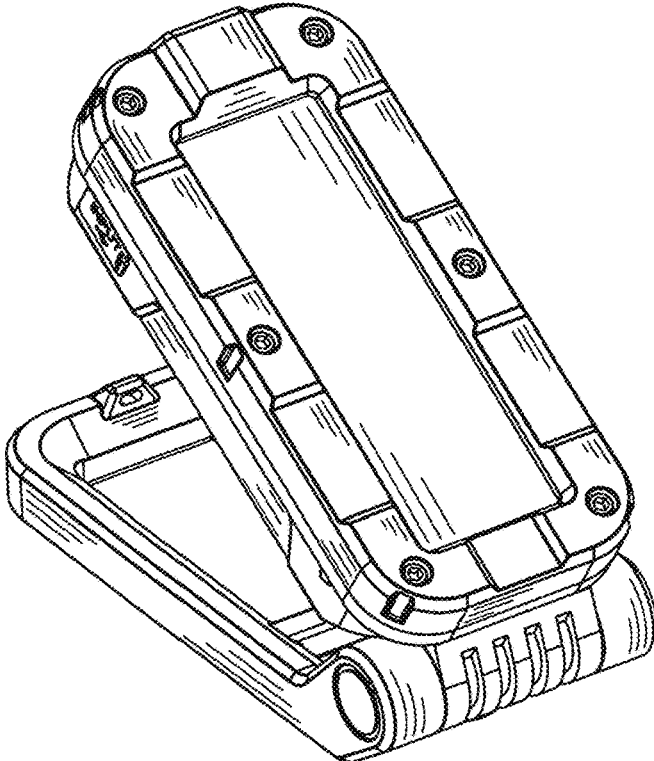


Fig. 8