



(12) **United States Design Patent**
Bell et al.

(10) **Patent No.:** **US D907,951 S**
(45) **Date of Patent:** **** Jan. 19, 2021**

(54) **OVEN**

(71) Applicant: **Furrion Property Holding Limited**,
Hong Kong (HK)

(72) Inventors: **Steven Neill Bell**, Hong Kong (HK);
Matthew David Fidler, Hong Kong (HK);
Bernard San Lap Lo, Hong Kong (HK);
Wesley King Juen Tong, Hong Kong (HK);
Yuk Ying Wong, Hong Kong (HK);
Hung Wing Yee, Hong Kong (HK)

(73) Assignee: **Furrion Property Holding Limited**,
Hong Kong (HK)

(**) Term: **15 Years**

(21) Appl. No.: **29/675,714**

(22) Filed: **Jan. 4, 2019**

(51) **LOC (13) Cl.** **07-02**

(52) **U.S. Cl.**

USPC **D7/349**

(58) **Field of Classification Search**

USPC D7/323, 328, 329, 330, 339, 340, 341,
D7/342, 343, 344, 345, 346, 347, 348,
D7/349, 351, 352, 365, 367, 390, 402,
D7/403, 404, 405, 406, 407, 408, 409,
D7/410, 411, 538, 543, 554.1, 554.2, 585
CPC A21B 1/00; A21B 1/52; A21B 5/00; A21B
3/13; A21B 3/131; A21B 3/132; A21B
3/133; A21B 3/138; A21B 3/15; A21B
5/023; A47J 37/00; A47J 37/04; A47J
37/06; A47J 37/0623; A47J 37/0611;
A47J 37/067; A47J 37/0605; A47J
37/0629; A47J 37/0676; A47J 27/60;
A47J 27/62; A47J 36/022; A47J 36/025;
A47J 36/027; A47G 19/02; A47G 19/027;
A47G 19/22; F24C 1/00; F24C 3/00;
F24C 3/002; F24C 3/008; F24C 5/00;
F24C 7/00; F24C 7/002; F24C

(Continued)

(56) **References Cited**

U.S. PATENT DOCUMENTS

2,556,444 A 6/1951 Reeves
2,696,812 A 12/1954 Merritt, Jr.
(Continued)

FOREIGN PATENT DOCUMENTS

CN 303766428 S 8/2016
CN 304109525 S 7/2017
(Continued)

OTHER PUBLICATIONS

21" RV Furrion Chef Collection Built-in Gas Oven, announced ©
2020 [online], retrieved Jun. 3, 2020, retrieved from internet,
<https://furrion.com/collections/ovens/products/21-furrion-chef-collection-built-in-gas-oven>.*

(Continued)

Primary Examiner — Dana K Weiland

Assistant Examiner — Messina L Smith

(74) *Attorney, Agent, or Firm* — Faegre Drinker Biddle &
Reath LLP

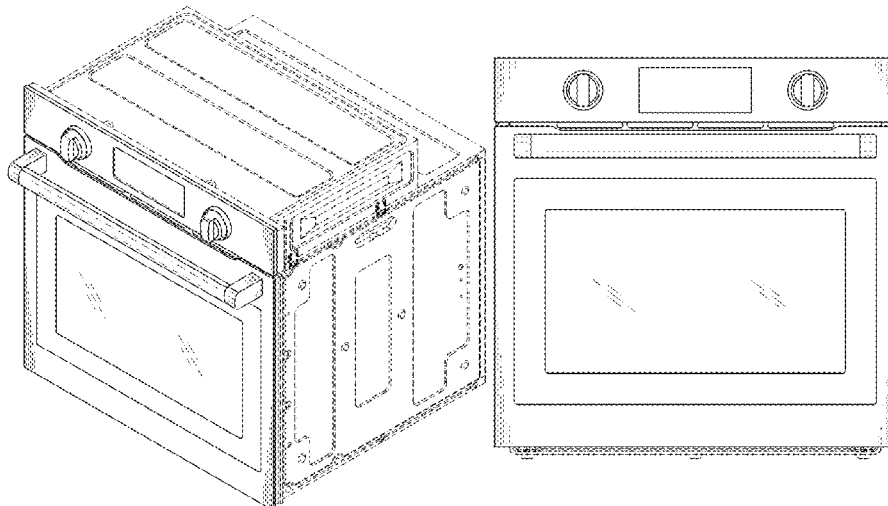
(57) **CLAIM**

The ornamental design for an oven, as shown and described.

DESCRIPTION

FIG. 1 is a front perspective view of an oven, illustrating our new design;
FIG. 2 is a front elevation view thereof;
FIG. 3 is a rear elevation view thereof;
FIG. 4 is a left side elevation view thereof;
FIG. 5 is a right side elevation view thereof;
FIG. 6 is a top plan view thereof; and,
FIG. 7 is a bottom plan view thereof.
The broken lines in the drawings illustrate portions of the oven that form no part of the claimed design.

1 Claim, 7 Drawing Sheets



(58) **Field of Classification Search**
 CPC 7/043; F24C 7/062; F24C 11/00; F24C
 15/02; F24C 15/04; F24C 15/10
 See application file for complete search history.

(56) **References Cited**

U.S. PATENT DOCUMENTS

2,704,063 A 3/1955 Young
 2,772,414 A 11/1956 Baker, Jr.
 3,004,132 A 10/1961 Harris, Jr. et al.
 3,040,733 A 6/1962 Sherman
 3,180,331 A 4/1965 Jenn et al.
 3,320,944 A 5/1967 Hoppe
 3,338,232 A 8/1967 Heldenbrand
 4,501,260 A 2/1985 Grace
 4,562,827 A 1/1986 Cerola
 4,869,231 A 9/1989 Rice et al.
 4,890,813 A 1/1990 Johnson et al.
 5,062,410 A 11/1991 Samosky et al.
 5,115,797 A 5/1992 Hurner
 5,152,276 A 10/1992 Brock et al.
 5,215,074 A 6/1993 Wilson et al.
 5,231,734 A 8/1993 Rude
 D348,375 S 7/1994 Ivanovich
 5,538,206 A 7/1996 Sather
 D378,262 S 3/1997 Sparks
 D379,734 S * 6/1997 Baldwin D7/405
 D393,774 S 4/1998 Ashcraft et al.
 5,771,539 A 6/1998 Wahlstedt et al.
 D395,816 S 7/1998 Colodny
 5,865,101 A 2/1999 Brown
 5,894,633 A 4/1999 Kaneko
 D409,896 S 5/1999 Kaplan
 5,931,151 A 8/1999 Van Dore et al.
 D424,862 S * 5/2000 Holbrook D7/349
 6,568,542 B1 5/2003 Chen
 D477,497 S 7/2003 Monguilod
 D479,781 S 9/2003 Pottenger et al.
 6,712,066 B1 3/2004 Atkinson et al.
 6,761,159 B1 7/2004 Barnes et al.
 D495,557 S 9/2004 Shin
 D495,918 S 9/2004 De Mello
 6,867,962 B2 3/2005 Cho et al.
 D506,637 S 6/2005 Tanaka
 D510,226 S 10/2005 Vetter
 D530,561 S * 10/2006 Kim D7/351
 D530,972 S 10/2006 Park
 D550,502 S * 9/2007 Jeon, III D7/350.1
 D552,408 S 10/2007 Pino et al.
 D561,787 S 2/2008 Choi
 D567,635 S 4/2008 Nankervis
 7,401,610 B1 7/2008 Cherry
 D580,225 S 11/2008 Geiger et al.
 D580,698 S * 11/2008 Kim D7/348
 D599,608 S 9/2009 Grumm et al.
 D605,456 S 12/2009 Bengtson et al.
 D610,863 S 3/2010 Kim et al.
 D612,682 S * 3/2010 Baker D7/405
 D617,133 S 6/2010 Grey et al.
 D622,537 S 8/2010 Kim et al.
 D626,782 S * 11/2010 Busalt D7/349
 D627,593 S * 11/2010 Lee D7/340
 7,836,877 B2 11/2010 Gagas et al.
 D642,418 S 8/2011 Kim et al.
 D646,112 S * 10/2011 Park D7/348
 D646,113 S * 10/2011 Park D7/348
 8,118,020 B2 2/2012 Rummel et al.
 D655,128 S 3/2012 Kim et al.
 D661,546 S 6/2012 Baacke et al.
 D665,656 S 8/2012 Anzelmo
 8,245,999 B2 8/2012 Tartan et al.
 8,272,377 B2 9/2012 Tsakiris
 D670,969 S 11/2012 Bengtson et al.
 D682,602 S 5/2013 Funnell, II et al.
 D685,602 S 7/2013 Lee
 D690,994 S * 10/2013 Baek D7/405

8,578,924 B2 11/2013 Elkasevic et al.
 D700,469 S 3/2014 Reay et al.
 D702,988 S 4/2014 Boo et al.
 D710,646 S * 8/2014 Borjesson D7/349
 D718,605 S 12/2014 Yang et al.
 D731,845 S 6/2015 Kim et al.
 D734,273 S 7/2015 Chompff
 D736,062 S 8/2015 Ertel
 D736,553 S 8/2015 Funnell, II et al.
 9,103,553 B2 8/2015 Daughtridge, Jr. et al.
 D745,310 S * 12/2015 Funnell, II D7/349
 D745,311 S * 12/2015 Funnell, II D7/349
 D747,912 S * 1/2016 Funnell, II D7/348
 D748,424 S * 2/2016 Funnell, II D7/348
 D750,414 S * 3/2016 Funnell, II D7/348
 D755,009 S 5/2016 Kim et al.
 D755,558 S 5/2016 Lee et al.
 9,395,093 B2 7/2016 Yu et al.
 D763,616 S 8/2016 Kim et al.
 D763,617 S * 8/2016 Kim D7/339
 D765,459 S 9/2016 Shoemaker et al.
 D770,839 S * 11/2016 Shoemaker D7/348
 D773,232 S 12/2016 Shoemaker et al.
 D779,262 S 2/2017 Kim et al.
 D781,096 S 3/2017 Kim et al.
 D781,648 S 3/2017 Shoemaker et al.
 D785,398 S 5/2017 Kim et al.
 D786,005 S 5/2017 Kim et al.
 D786,006 S 5/2017 Chung et al.
 D786,609 S 5/2017 Cho et al.
 D787,254 S 5/2017 Cho et al.
 D787,255 S 5/2017 Cho et al.
 D787,256 S 5/2017 Cho et al.
 D787,879 S 5/2017 Kim et al.
 D789,729 S 6/2017 Lee et al.
 D789,740 S * 6/2017 Shoemaker D7/406
 D793,795 S 8/2017 Suh
 D805,833 S * 12/2017 Baacke D7/348
 D808,706 S 1/2018 Kim et al.
 D808,707 S 1/2018 Kim et al.
 9,863,642 B2 1/2018 Je et al.
 D811,165 S 2/2018 Sadtler
 D812,016 S 3/2018 Chompff
 D812,959 S 3/2018 Kim et al.
 D814,231 S * 4/2018 Kim D7/349
 D816,386 S 5/2018 Kim et al.
 D817,066 S 5/2018 Shoemaker et al.
 D817,067 S * 5/2018 Shoemaker D7/349
 D817,685 S 5/2018 Incukur
 D821,813 S * 7/2018 Kim D7/405
 D828,090 S 9/2018 Kim et al.
 D829,482 S 10/2018 Incukur
 D829,484 S * 10/2018 Kim D7/348
 D835,450 S * 12/2018 Prentice D7/348
 D835,932 S 12/2018 Incukur
 D836,393 S * 12/2018 Taccardi D7/405
 D839,038 S 1/2019 Bell
 10,167,981 B2 1/2019 Cheng et al.
 D840,185 S * 2/2019 Kim D7/349
 D851,978 S 6/2019 Bell
 D851,990 S 6/2019 Bell
 D852,580 S * 7/2019 Kim D7/405
 D861,426 S * 10/2019 Kang D7/405
 D876,159 S * 2/2020 Kim D7/405
 D880,218 S * 4/2020 Kim D7/349
 D883,741 S * 5/2020 Prentice D7/405
 2005/0056268 A1 3/2005 Panchapagesan et al.
 2007/0221199 A1 9/2007 Hake et al.
 2009/0260616 A1 10/2009 Brant et al.
 2013/0019853 A1 1/2013 Kim et al.
 2016/0320067 A1 11/2016 Dachs et al.
 2016/0334113 A1 11/2016 Lee et al.
 2017/0082296 A1 * 3/2017 Jeong F24C 15/006
 2017/0328573 A1 11/2017 Wojick et al.
 2017/0343220 A1 * 11/2017 Ha F24C 7/043
 2017/0350603 A1 * 12/2017 Je G02B 6/0095
 2018/0070757 A1 * 3/2018 Lee A47J 27/04
 2018/0156468 A1 6/2018 Bell
 2019/0257526 A1 * 8/2019 Streitwieser F24C 15/02

(56)

References Cited

U.S. PATENT DOCUMENTS

2020/0033010 A1* 1/2020 Kang F24C 15/003
 2020/0141589 A1* 5/2020 Kim C03C 17/3686
 2020/0166218 A1* 5/2020 Je F24C 15/021

FOREIGN PATENT DOCUMENTS

CN	304603550	S	5/2018
KR	300867232	S	8/2016
WO	D0916790001		7/2016
WO	D0898000002		8/2016
WO	D0898000003		8/2016
WO	D0898000006		8/2016
WO	D0930580001		11/2016

OTHER PUBLICATIONS

“2015 Pinnacle” [online], [retrieved Sep. 8, 2017]. Retrieved from the Internet <URL:https://www.google.com/search?safe=active&rls=com.microsoft%3Aen-US%3AIE-Address&biw=913&bih=653&tbm=isch&sa=1&q=rv+stove+glass&oeq=rv+stove+glass&gs_l=psy-ab.3...491717.766060.0.766951.6.6.0.0.0.255.805.0j3j1.4.0...0...1.1.64.psy-ab.2.2.349...0j0i67k1j0i8i30k1j0i24k1.n0kolOw_4IY#imgrc=BKnmDP5PQ0te2M.&spf=1523295249889>, 1 page.

“2017 Fleetwood Jamboree RV—Class C Motorhome” [online], [retrieved on Sep. 8, 2017]. Retrieved from the Internet <URL:http://www.fleetwoodrv.com/2017-fleetwood-jamboree>, 11 pages.

“Atwood RV-2135 BBP 52232 21 Inch.” RV Parts Country, rvpartscountry.com, UPC Code: 92931522326, Jan. 6, 2014. https://web.archive.org/web/20140106195901/http://www.rvpartscountry.com/Atwood-3-Burner-21inch-Range-wo-Piezo.html.

“Camco 43554 Universal Fit RV Stove Top Cover (Black)” [online], [retrieved on Sep. 8, 2017]. Retrieved from the Internet <URL:http://www.ebay.com/itm/Camco-43554-Universal-Fit-RV-Stove-Top-Cover-Black-Black-/112357123356?epid=671816644&hash=item1a2901a51c:g:JAUAAOSwDmBY4cQK&vxp=mtr>, 3 pages.

“Conventional Burner Gas Range—Piezo Lite, 17”” [online], [first retrieved on Sep. 8, 2017]. Retrieved from the Internet <URL:http://www.campingworld.com/shopping/item/conventional-burner-gas-

range-piezo-lite-17-/84505&utm_source=google&utm_medium=cpc&scid=scplp84505&sc_intid=84505?utm_campaign=SC_Shopping_High&affiliateid=6313&gclid=EALa1QobChMlu-WO-pKW1gIVCi9pCh0kjQLZEAQYAyABEgL7mvD.BwE>, 3 pages.

“La Germania 3-Gas Burner Manual Oven,” La Germania, cebuappliancecenter.com, Nov. 29, 2014 https://web.archive.org/web/20141129124153/http://www.ceuappliancecenter.com:80/product/la-germania-3-gas-burner-manualoven/lagermania.pdf.

“Marine Gas Stove with Three Burner Cooktop,” Fisheries Supply, fisheriessupply.com, Sep. 6, 2016. https://web.archive.org/web/20160906075007/https://www.fisheriessupply.com/force-10-marine-gas-stove-with-three-burner-cooktop-range-gimbalel.

“Oven,” Design U.S. Appl. No. 29/625,563, filed Nov. 10, 2017 under the applicant Furrion Property Holding Limited, 23 pages.

“Stove Top Cover Wooden Counter Mat Travel RV Kitchen Gas Range Burner Serving” [online], [retrieved on Sep. 8, 2017]. Retrieved from the Internet <http://www.ebay.com/itm/Stove-Top-Cover-Wooden-Counter-Mat-Travel-RV-Kitchen-Gas-Range-Burner-Serving-/332042293030?epid=1111828905&hash=item4d4f434f26:g:7pYAAOSwiONYNkgb&vxp=mtr>, 3 pages.

“Suburban 3206A Gas Range with Conventional Burners—Black w/Piezo Ignition, 17”,” Amazon, amazon.com, ASIN: B00PXJRYRO, Manufacturer Part No. 3206A, Nov. 21, 2014. https://www.amazon.com/dp/B00PXJRYRO/.

“Wedgewood RV/Camper Stove” [online], [retrieved Sep. 8, 2017]. Retrieved from the Internet <URL: https://www.5miles.com/item/YEZ7JEpQ8KAgK8ze/wedgewood-rvcamper-stove-great-shape>, 3 pages.

Lowe, Jessica. “How to Baby Proof Your RV” [online], [retrieved on Sep. 8, 2017]. Retrieved from the Internet <URL: http://www.carefreecomunities.com/blog/how-to-baby-proof-your-rv/>, 4 pages.

Miele (Feb. 20, 2018). 36 Inch Downdraft Flood Flush Mounting, pp. 1-10.

Nordby, Klaus. “My Latest Experiment in Living on Earth: Klaus “Easy Comfy Rider” Nordby hits the rrrrrrrrrrrrrroad!” [online], [retrieved on Sep. 8, 2017]. Retrieved from the Internet <URL:http://klausnordby.com/ego/rv.html>, 11 pages.

RV daydream, More RV counter space Cameo 43521 stove top, https://www.youtube.com/watch?v=NVCi2HeulHE (Year: 2015).

RVProject, Adding a cover to an Atwood RV-1735 kitchen range in a RV, https://www.youtube.com/watch?v=VCVce7wRfZc (Year: 2014).

* cited by examiner

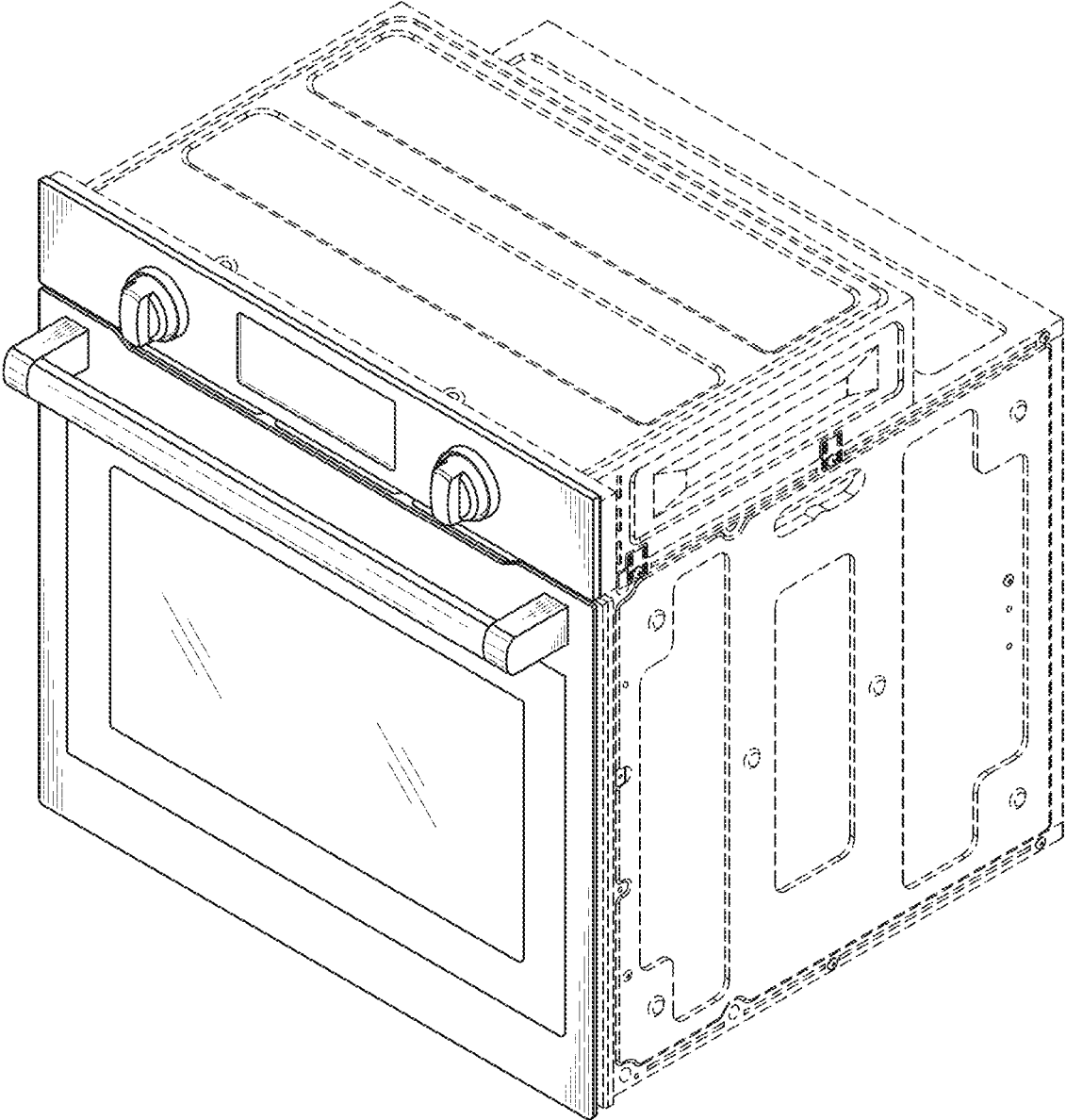


FIG. 1

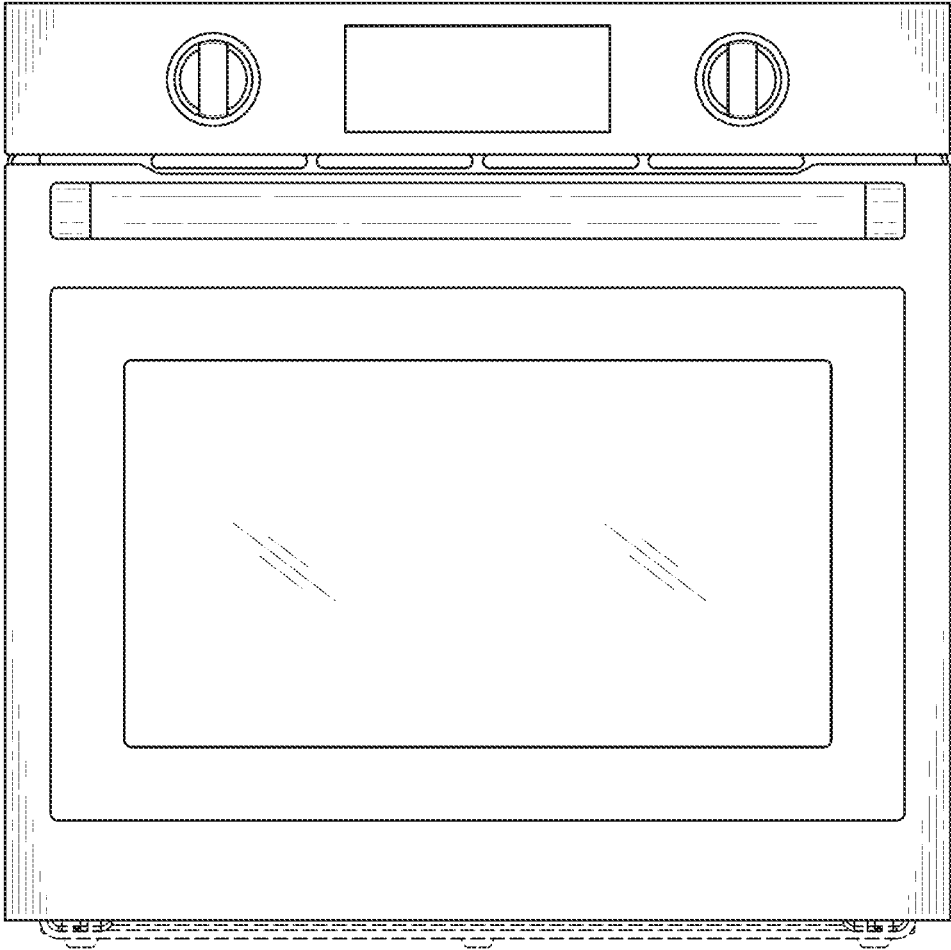


FIG. 2

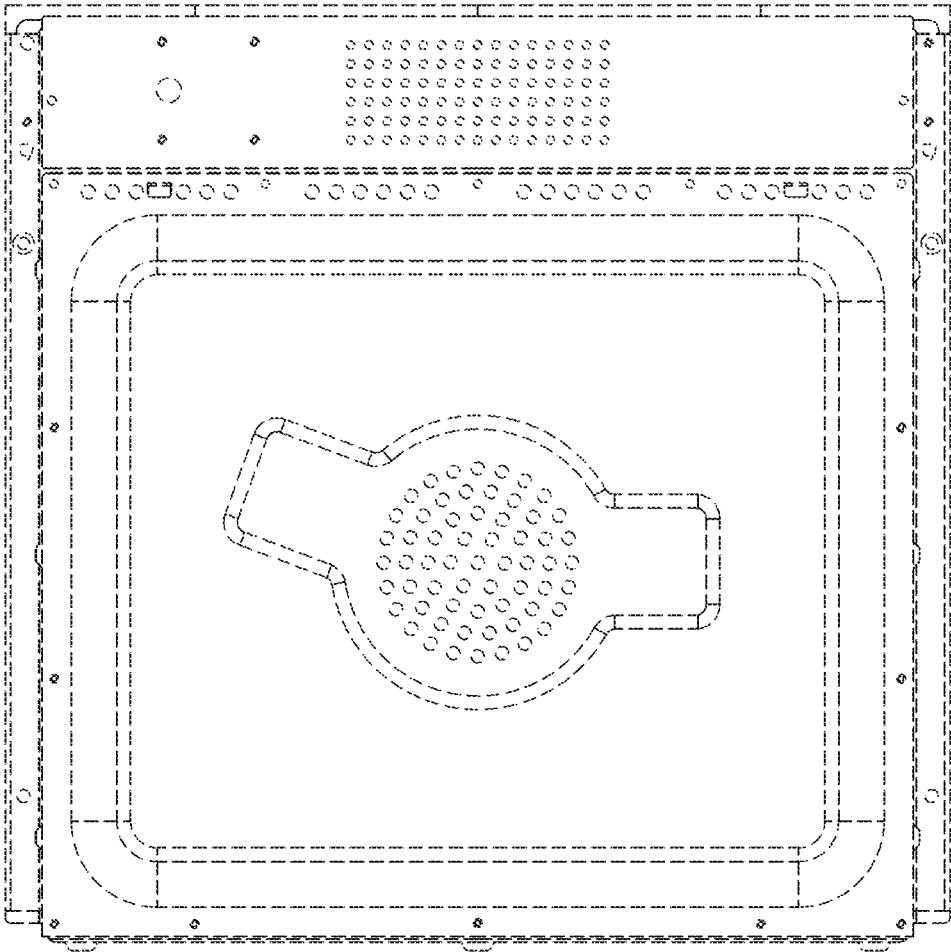


FIG. 3

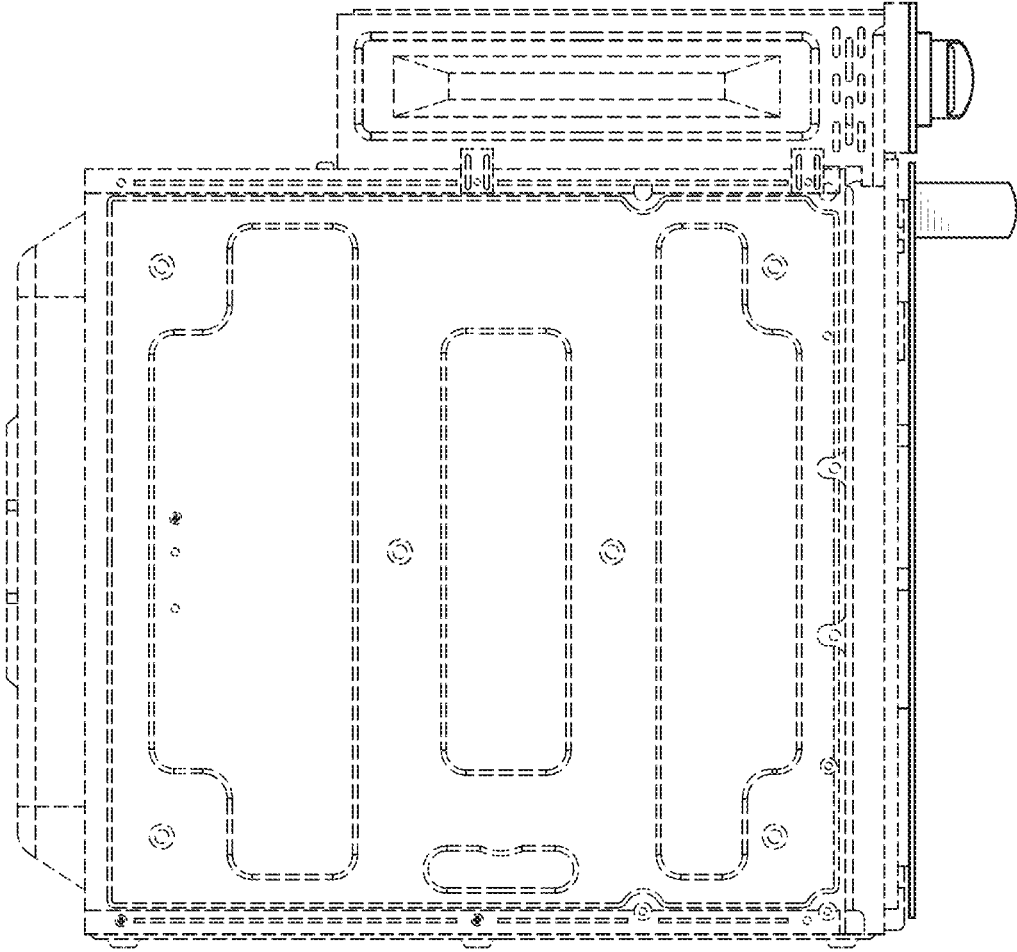


FIG. 4

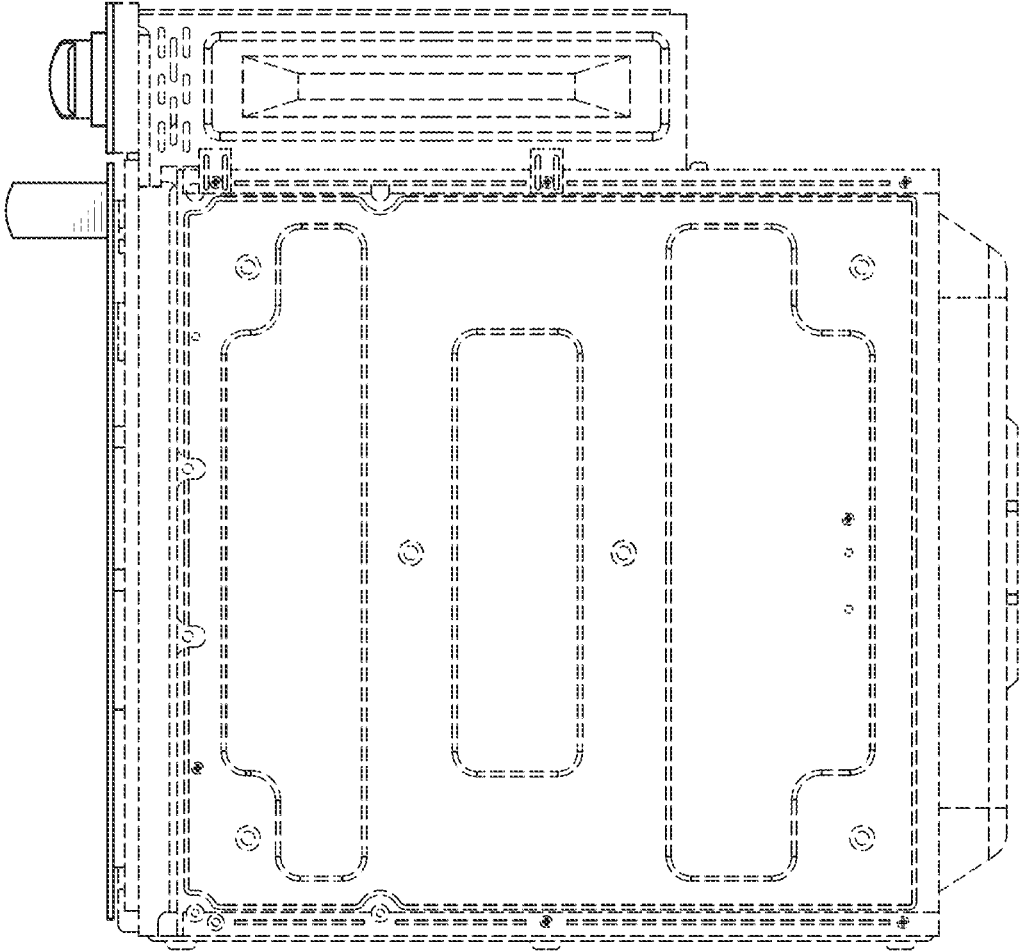


FIG. 5

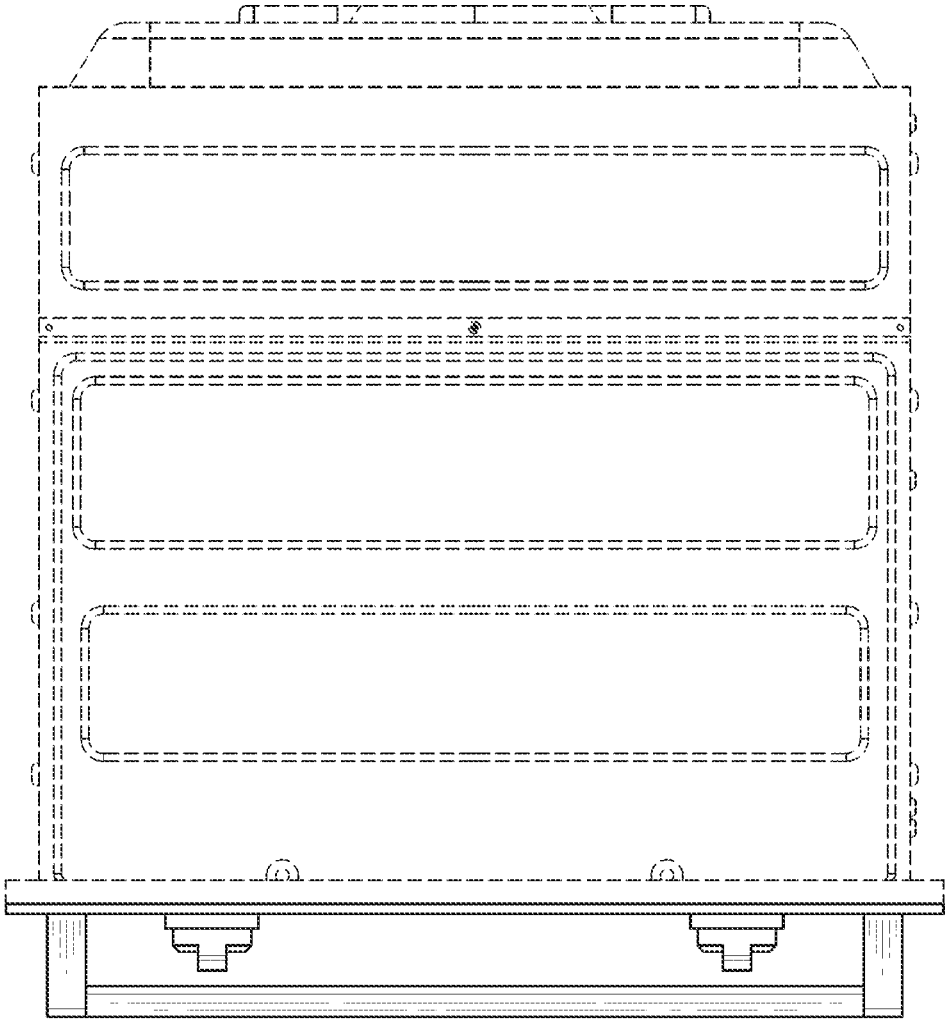


FIG. 6

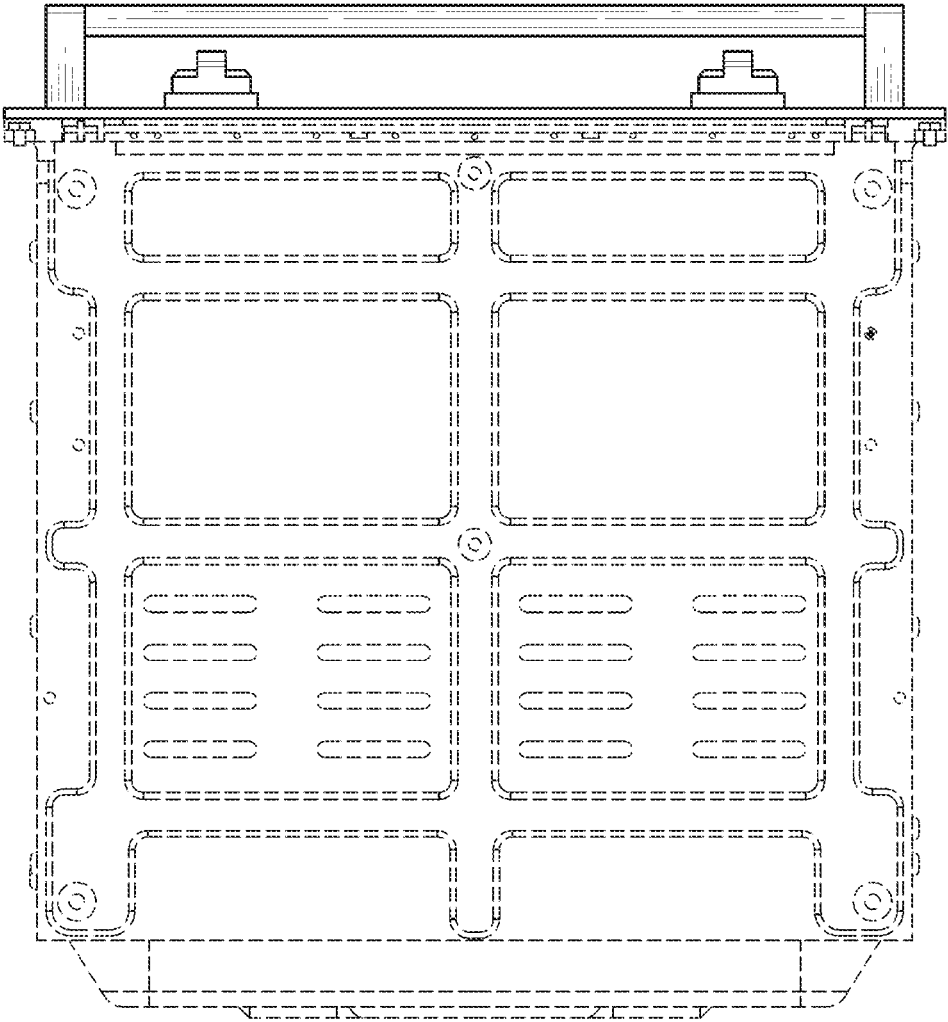


FIG. 7