



US00D495580S1

(12) **United States Design Patent**  
**Ho**

(10) **Patent No.:** **US D495,580 S**

(45) **Date of Patent:** **\*\* Sep. 7, 2004**

(54) **COMBINATION LOCK**

(75) **Inventor:** **Yat Hung Ho, New Territories (HK)**

(73) **Assignee:** **Alloy Metal Manufactory Ltd., Shatin (HK)**

(\*\*) **Term:** **14 Years**

(21) **Appl. No.:** **29/193,212**

(22) **Filed:** **Nov. 5, 2003**

(51) **LOC (7) Cl.** ..... **08-07**

(52) **U.S. Cl.** ..... **D8/334**

(58) **Field of Search** ..... D8/330, 331, 334;  
70/14, 20, 22, 24, 53, 58, 233

(56) **References Cited**

**U.S. PATENT DOCUMENTS**

1,542,016 A	*	6/1925	Jacob	70/24
5,433,092 A	*	7/1995	Kuo	70/46
5,488,844 A	*	2/1996	Winner	70/18
D398,830 S	*	9/1998	Winner	D8/333
5,901,586 A	*	5/1999	Hale	70/18
D433,311 S	*	11/2000	Luquire	D8/333
D433,312 S	*	11/2000	Luquire	D8/333
D460,341 S	*	7/2002	Ling	D8/330

D477,209 S	*	7/2003	Yu et al.	D6/334
D477,525 S	*	7/2003	Ling	D6/330
D483,647 S	*	12/2003	Lo	D8/333

\* cited by examiner

*Primary Examiner*—Prabhakar Deshmukh

(74) *Attorney, Agent, or Firm*—Alix, Yale & Ristas, LLP

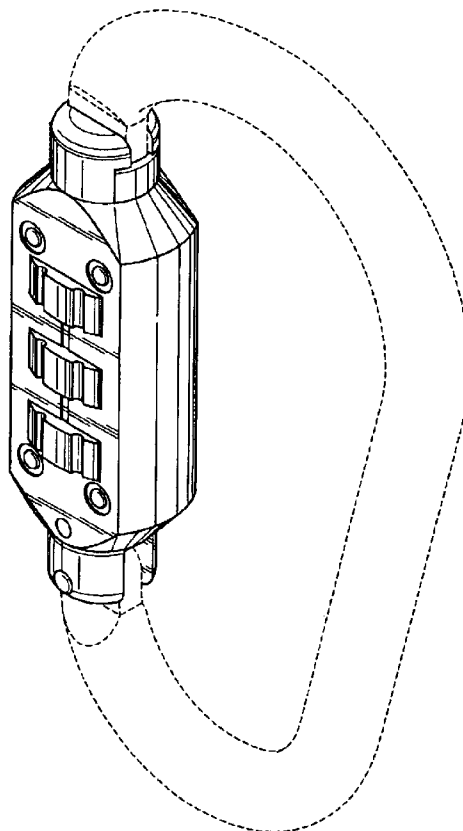
(57) **CLAIM**

The ornamental design for combination lock, as shown and described.

**DESCRIPTION**

FIG. 1 is a front perspective view of the combination lock showing my new design; FIG. 2 is a front view of the combination lock of FIG. 1; FIG. 3 is a left side view of the combination lock of FIG. 1; FIG. 4 is a top plan view of the combination lock of FIG. 1; FIG. 5 is a rear view of the combination lock of FIG. 1; FIG. 6 is a right side view of the combination lock of FIG. 1; and, FIG. 7 is a bottom plan view of the combination lock of FIG. 1. The portions shown in broken lines form no part of the claimed design.

**1 Claim, 3 Drawing Sheets**



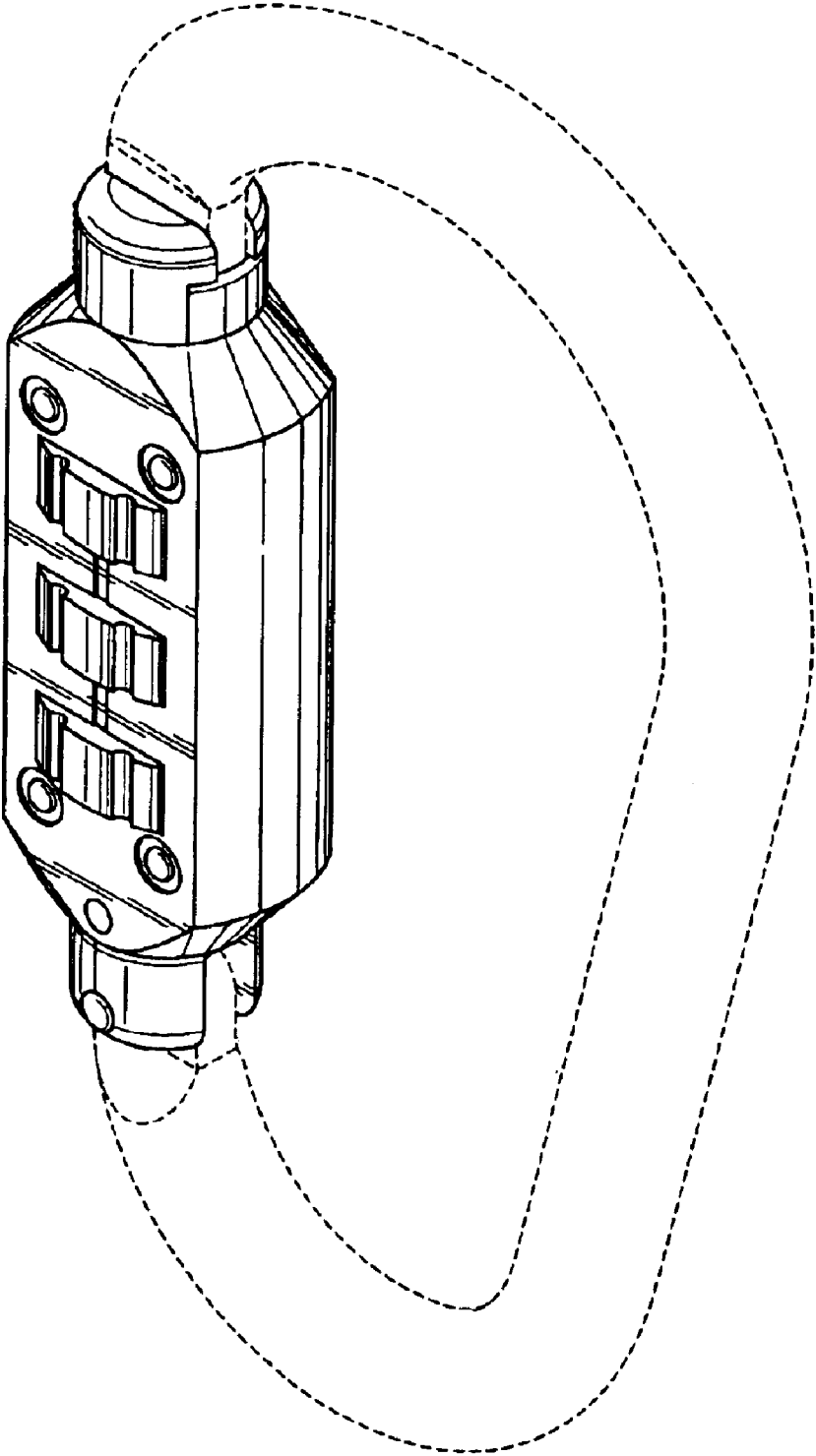


FIG. 1

FIG. 4

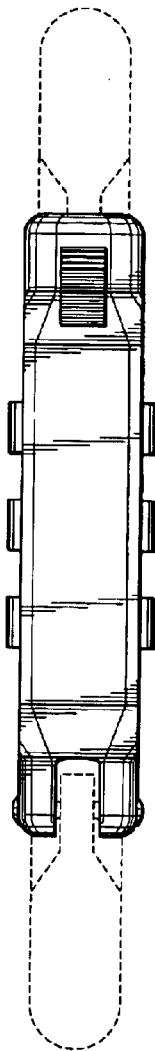
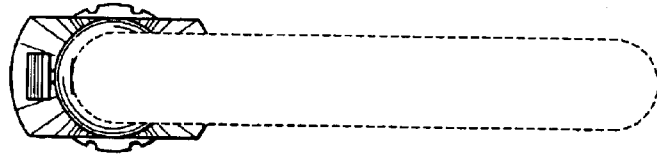


FIG. 3

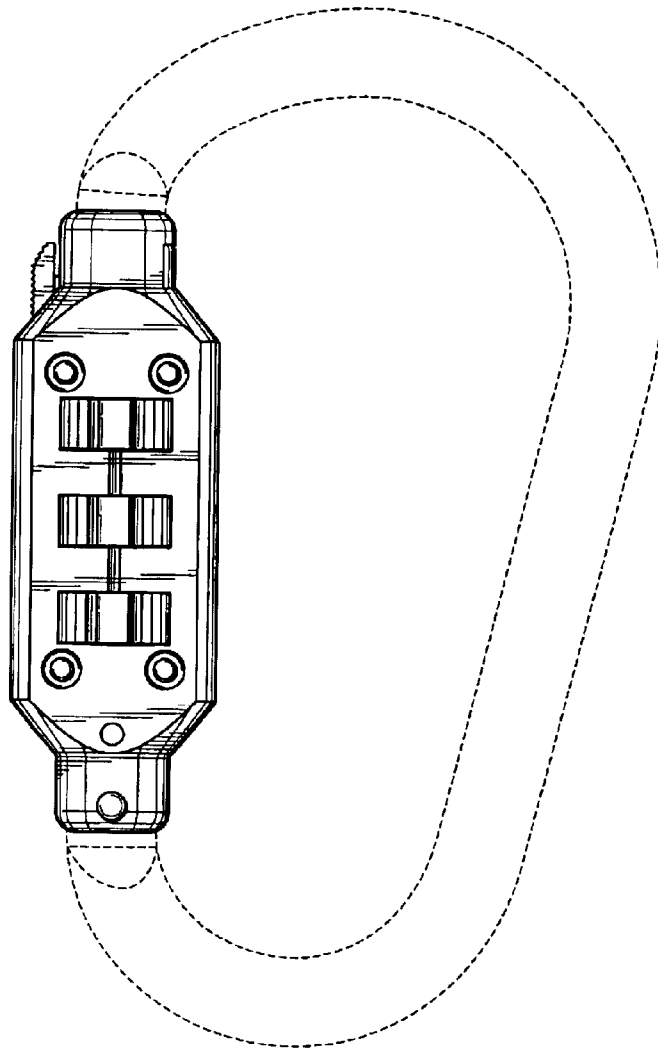


FIG. 2

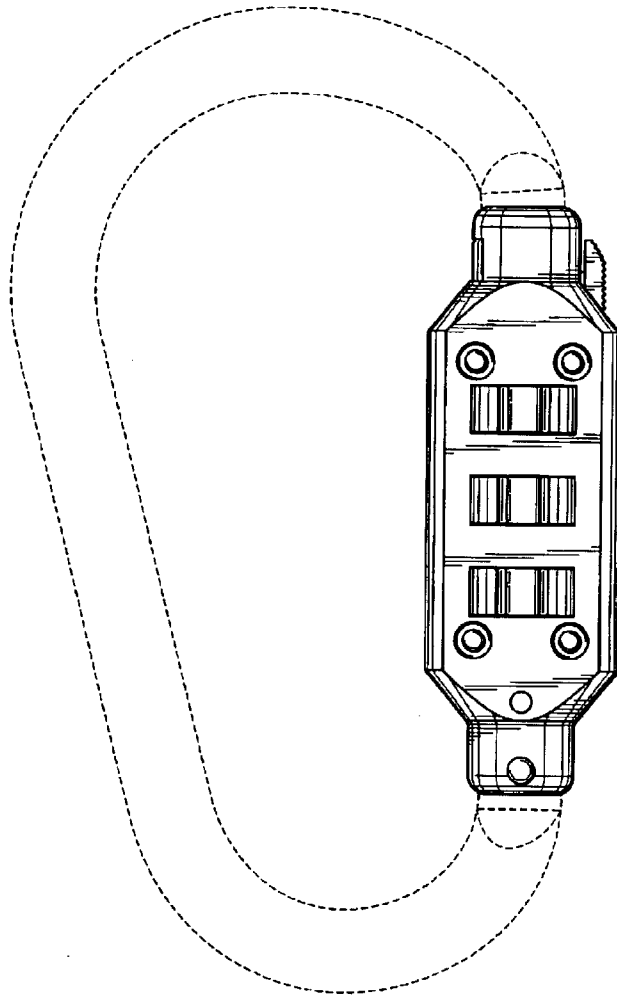


FIG. 5

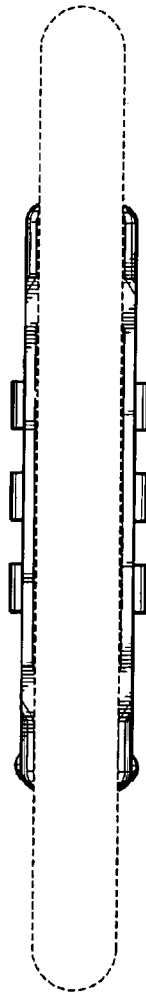


FIG. 6

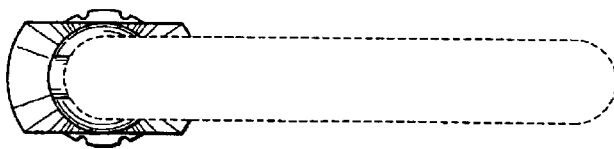


FIG. 7