



US00D694652S

(12) **United States Design Patent**
Tompkin

(10) **Patent No.:** **US D694,652 S**

(45) **Date of Patent:** **** Dec. 3, 2013**

- (54) **ALARM CLOCK**
- (71) Applicant: **MerchSource, LLC**, Irvine, CA (US)
- (72) Inventor: **Crispian Tompkin**, El Segundo, CA (US)
- (73) Assignee: **MerchSource, LLC**, Irvine, CA (US)
- (**) Term: **14 Years**
- (21) Appl. No.: **29/444,355**
- (22) Filed: **Jan. 30, 2013**
- (51) **LOC (9) Cl.** **10-01**
- (52) **U.S. Cl.**
USPC **D10/9**
- (58) **Field of Classification Search**
USPC D10/1-29; 368/276, 316, 317, 79, 227,
368/250
See application file for complete search history.

D218,468 S *	8/1970	Bergman	D10/21
D220,355 S *	3/1971	Judson	D10/9
3,586,848 A *	6/1971	Loftis	362/29
D228,566 S *	10/1973	Dale	D10/17
5,247,492 A *	9/1993	Pan	368/79
D355,607 S *	2/1995	Pan	D10/1
D460,379 S *	7/2002	Raviv	D11/91
D484,421 S *	12/2003	Chang et al.	D10/15
D585,765 S *	2/2009	Young	D10/6
D611,839 S *	3/2010	Tompkin	D10/1

* cited by examiner

Primary Examiner — Lucy Lieberman

(74) *Attorney, Agent, or Firm* — The Eclipse Group LLP

(57) **CLAIM**

I claim the ornamental design for an alarm clock, as shown and described.

DESCRIPTION

FIG. 1 is a side perspective view of an alarm clock.

FIG. 2 is a front elevation view of the alarm clock.

FIG. 3 is a rear view of the alarm clock.

FIG. 4 is a side view of the left side of the alarm clock.

FIG. 5 is a side view of the right side of the alarm clock.

FIG. 6 is a plan view of the alarm clock; and,

FIG. 7 is a bottom view of the alarm clock.

The dashed lines in various figures are for illustrative purposes only and form no part of the claimed design.

1 Claim, 4 Drawing Sheets

(56) **References Cited**

U.S. PATENT DOCUMENTS

D62,452 S *	6/1923	Jones	D10/17
D73,457 S *	9/1927	Weiss	D10/19
D87,288 S *	7/1932	Abel	D10/21
D123,782 S *	12/1940	Lux	D10/9
D147,112 S *	7/1947	Coe	D10/7
D162,488 S *	3/1951	Spier	D10/9
2,726,571 A *	12/1955	Chang	368/79
D212,339 S *	10/1968	Macowski	D10/21

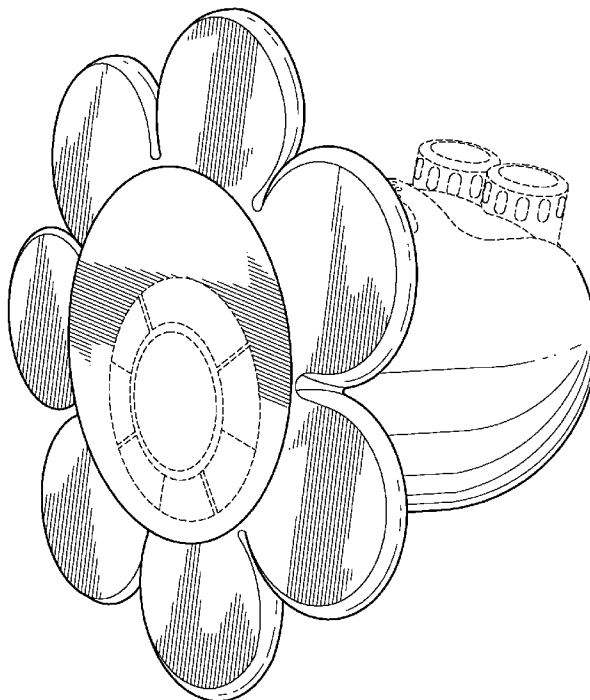


FIG. 1

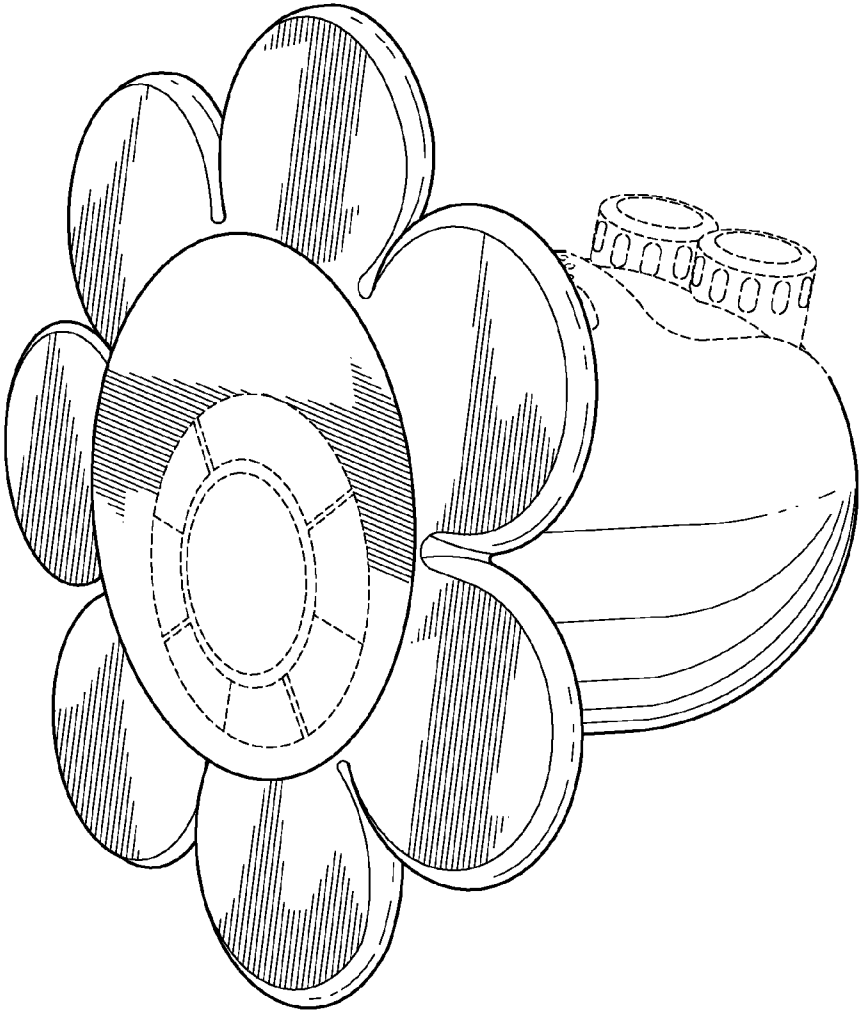


FIG. 2

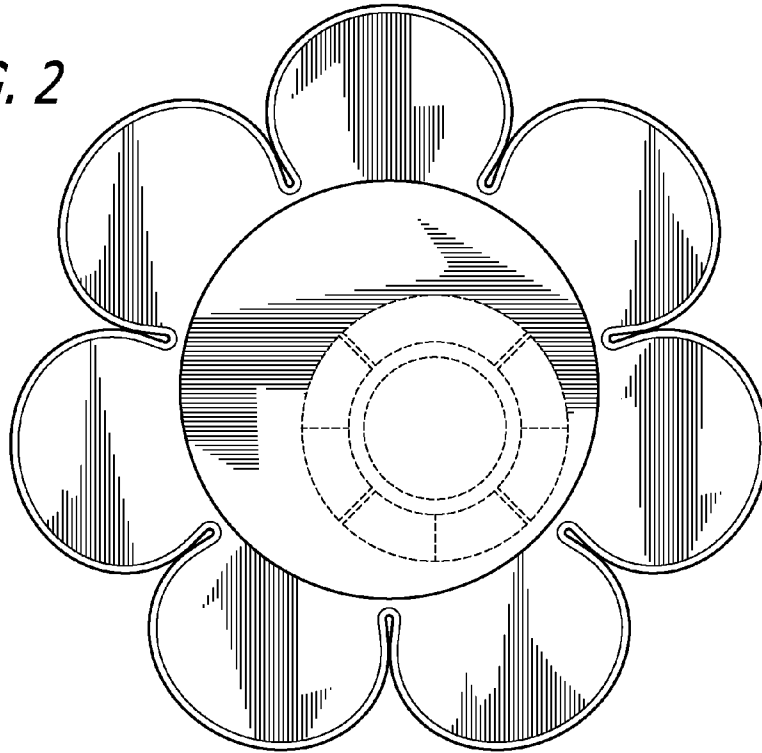


FIG. 3

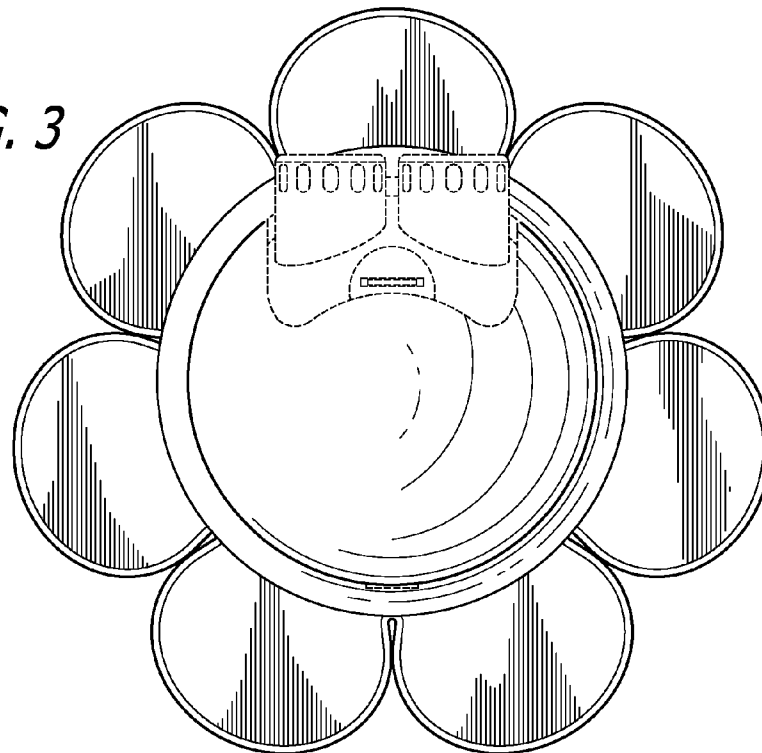


FIG. 4

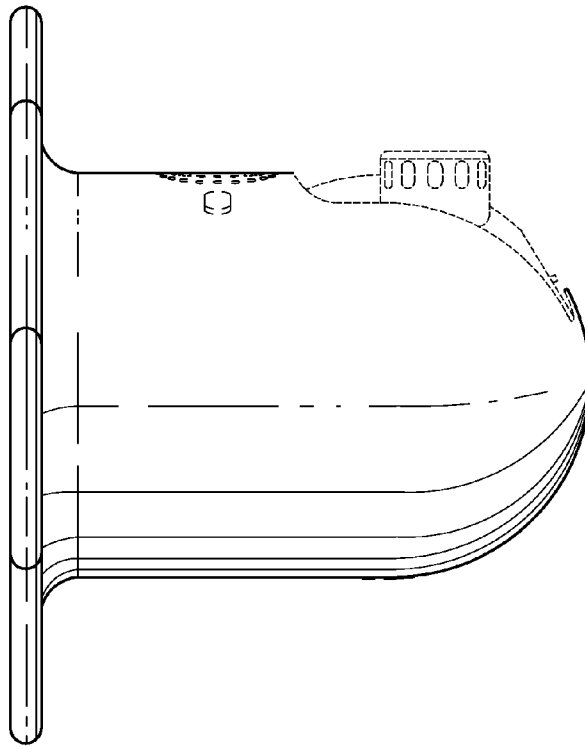


FIG. 5

