



US00D724481S

(12) **United States Design Patent**
Blouin

(10) **Patent No.:** **US D724,481 S**

(45) **Date of Patent:** **** Mar. 17, 2015**

- (54) **PLANTER FOR A WALL GARDEN**
- (71) Applicant: **ATT Southern Inc.**, Camp Hill, PA (US)
- (72) Inventor: **Carl Blouin**, Lévis (CA)
- (73) Assignee: **ATT Southern Inc.**, Camp Hill, PA (US)
- (**) Term: **14 Years**

D335,603 S *	5/1993	Arenson	D6/570
D360,116 S *	7/1995	Fillipp	D8/1
D501,886 S *	2/2005	Chen et al.	D19/85
D593,796 S *	6/2009	Kevan	D7/400
D602,667 S *	10/2009	Barbieri	D34/1
D603,181 S *	11/2009	Carlington	D6/405
D644,470 S *	9/2011	Hashimoto	D6/556
D689,300 S *	9/2013	MacKenzie	D6/556
D691,390 S *	10/2013	Cunningham et al.	D6/556
2009/0173004 A1 *	7/2009	Weast	47/83

* cited by examiner

- (21) Appl. No.: **29/458,979**
- (22) Filed: **Jun. 25, 2013**
- (51) **LOC (10) Cl.** **11-02**
- (52) **U.S. Cl.**
USPC **D11/155**
- (58) **Field of Classification Search**
USPC D6/403-405, 556-559, 570;
D11/143-156, 164; D19/77, 80, 81,
D19/84; D25/15, 100, 105, 113; D26/9, 10,
D26/11, 16, 19; D34/1, 2, 4-6; 47/17, 32.4,
47/32.5, 32.7, 33, 39, 41.01, 41.1,
47/41.11-41.15, 44-47, 63, 65.5, 65.9,
47/66.6, 66.7, 67-71
See application file for complete search history.

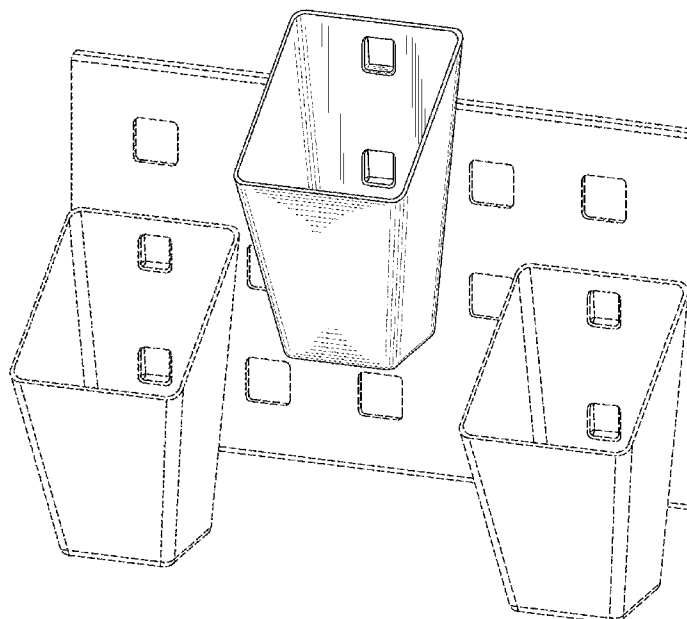
Primary Examiner — Robert M Spear
Assistant Examiner — Marissa J Cash
 (74) *Attorney, Agent, or Firm* — Eckert Seamans Cherin & Mellott, LLC; David C. Jenkins

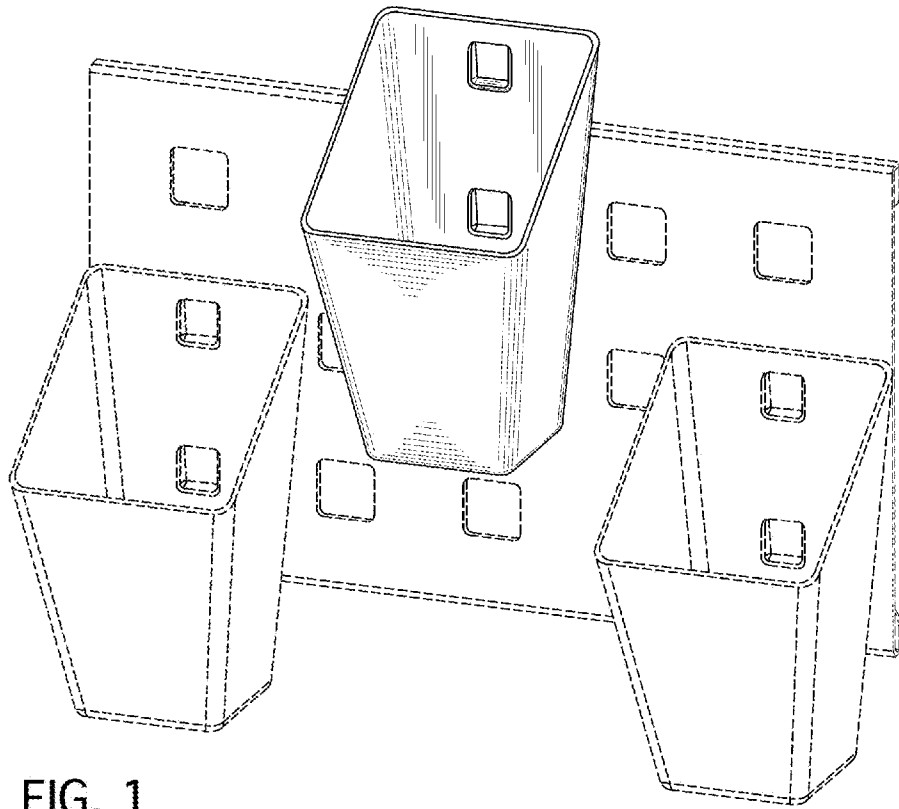
(57) **CLAIM**
 The ornamental design for a planter for a wall garden, as shown and described.

- (56) **References Cited**
 U.S. PATENT DOCUMENTS
 D297,601 S * 9/1988 Grossman et al. D6/556
 D303,305 S * 9/1989 Deacon

DESCRIPTION
 FIG. 1 is an isometric view of a planter for a wall garden;
 FIG. 2 is a front view of a planter for a wall garden;
 FIG. 3 is a back view of a planter for a wall garden;
 FIG. 4 is a top view of a planter for a wall garden;
 FIG. 5 is a bottom view of a planter for a wall garden;
 FIG. 6 is a right side view of a planter for a wall garden; and,
 FIG. 7 is a left side view of a planter for a wall garden.
 The broken lines in the drawings depict environmental subject matter only and form no part of the claimed design.

1 Claim, 6 Drawing Sheets





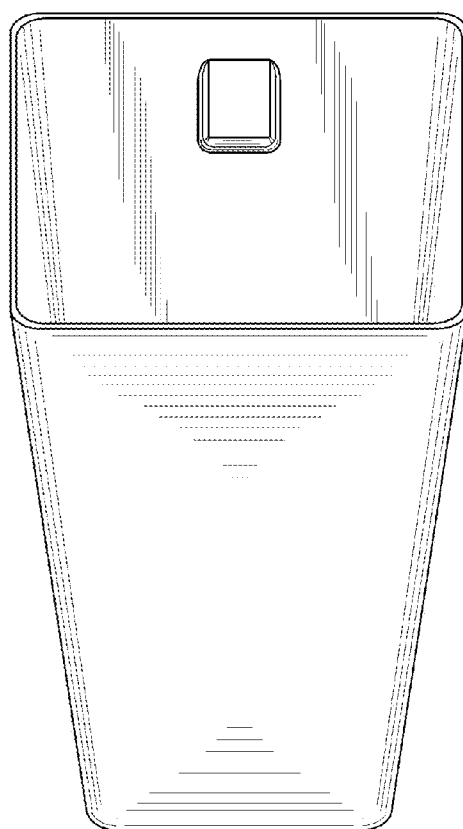


FIG. 2

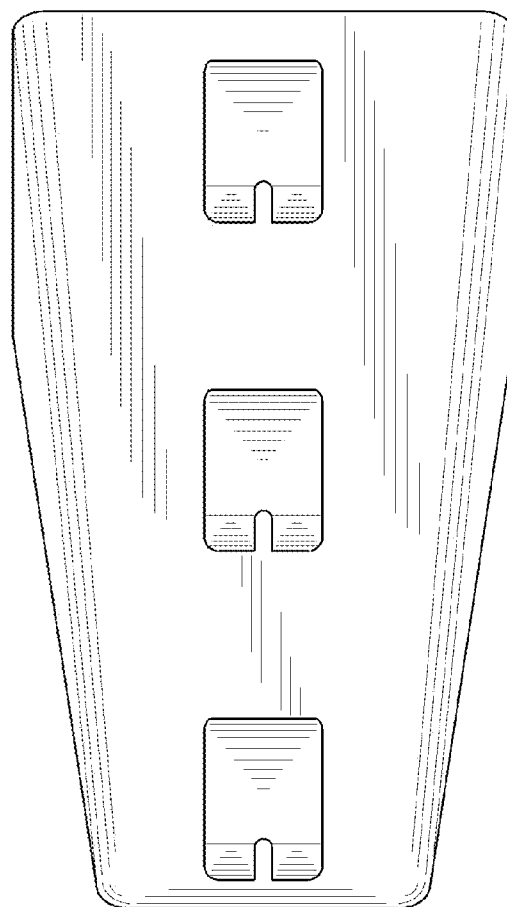


FIG. 3

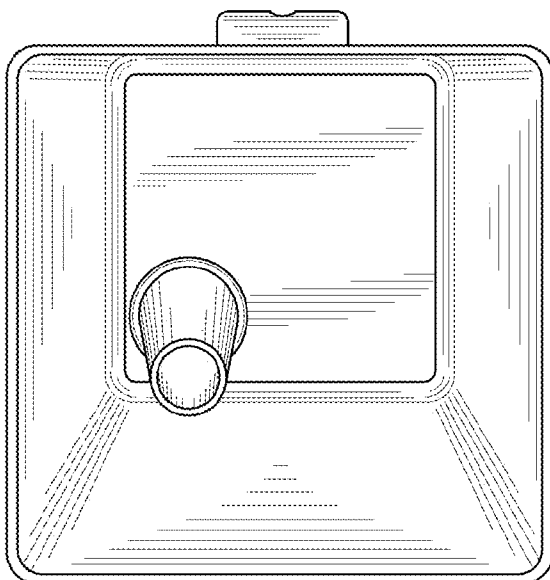


FIG. 4

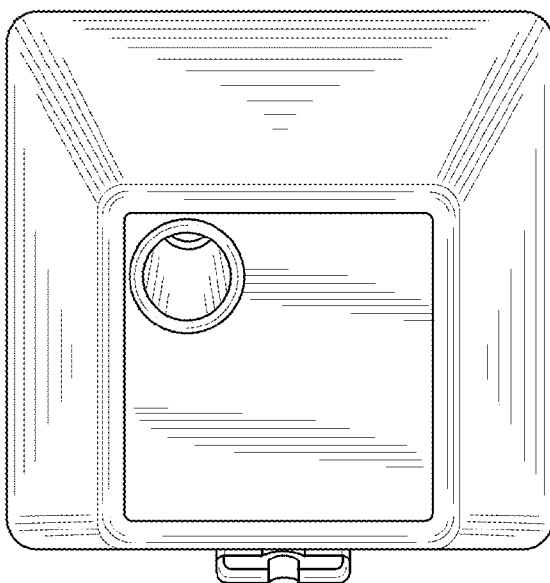


FIG. 5

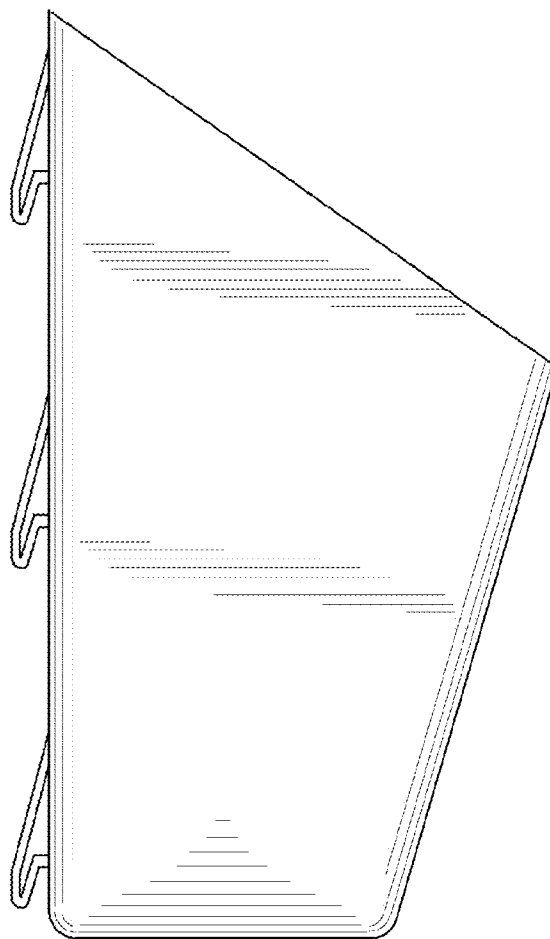


FIG. 6

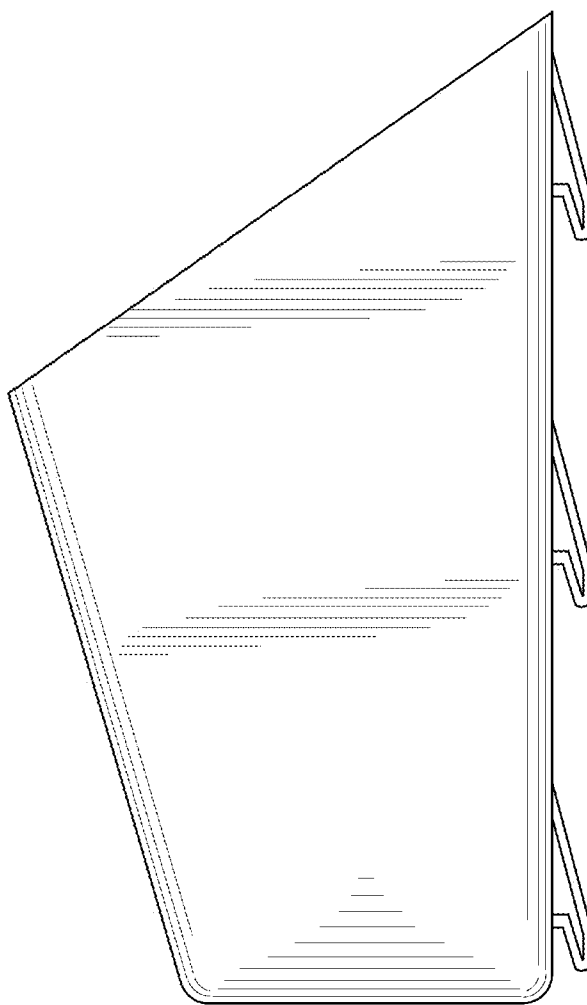


FIG. 7