

[54] **HANGER BRACKET FOR POCKET FILE**  
 [75] Inventors: **Phillip A. Crim**, Clark County; **Larry S. Hawkins**, Frederick County; **Michael J. Szablak**, Winchester, all of Va.

2,546,480 3/1951 Torquafi ..... 248/214  
 2,665,869 1/1954 Samuels ..... 248/214  
 2,918,244 12/1959 Laney ..... 248/214  
 4,059,248 11/1977 Kuntz ..... 248/214  
 4,261,957 4/1981 Schimanski ..... 248/214  
 4,283,038 8/1981 Kurtz ..... 248/316.6

[73] Assignee: **Rubbermaid Commercial Products Inc.**, Winchester, Va.

*Primary Examiner*—James M. Gandy  
*Assistant Examiner*—Horace B. Fay  
*Attorney, Agent, or Firm*—Renner, Kenner, Greive & Bobak

[\*\*] Term: **14 Years**

[21] Appl. No.: **293,379**

[57] **CLAIM**

[22] Filed: **Aug. 17, 1981**

The ornamental design for a hanger bracket for pocket file, as shown and described.

[52] U.S. Cl. .... **D8/373**

[58] Field of Search ..... D8/373, 366, 371, 372, D8/354; 248/207, 300, 301, 214, 215, 316.6, 226

B

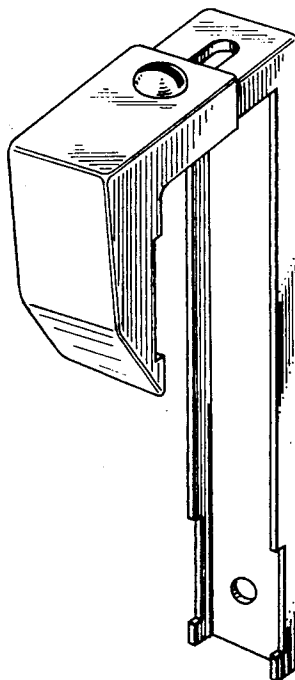
**DESCRIPTION**

FIG. 1 is a front perspective view of a hanger bracket for a pocket file showing our new design; FIG. 2 is a rear perspective view thereof with the parts exploded; FIG. 3 is an enlarged vertical sectional view thereof in assembled position, it being understood that the section is taken on the center line of the assembled brackets; FIG. 5 is an inside elevational view of the other principal part, as on the line 5—5 of FIG. 3.

[56] **References Cited**

**U.S. PATENT DOCUMENTS**

1,065,423	6/1913	Zeigler	.....	248/214
1,068,391	7/1913	Jensen	.....	248/214
1,426,787	8/1922	Spencer	.....	248/214
1,772,176	8/1930	Benjamin	.....	248/214
1,826,640	10/1931	Sturgis	.....	248/214



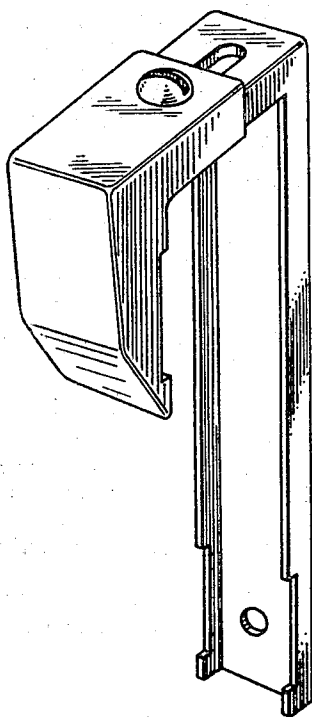


FIG. 1

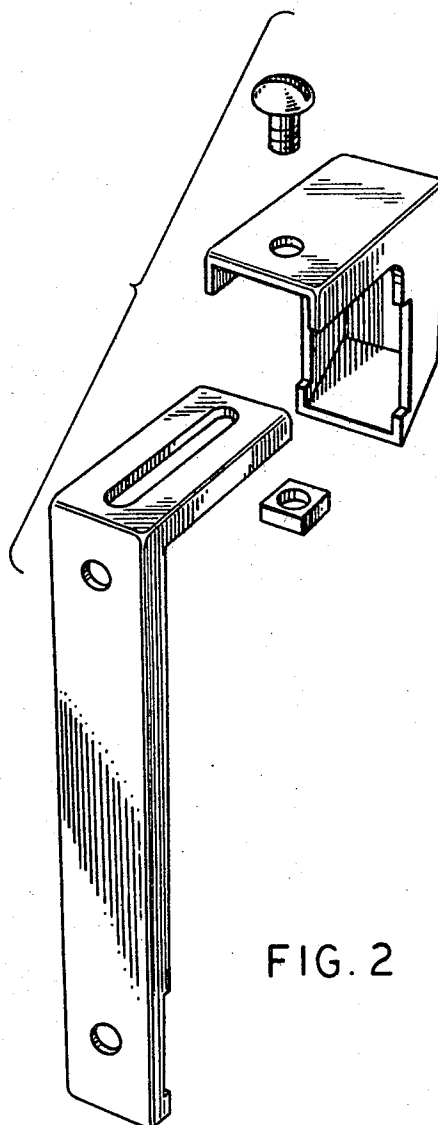


FIG. 2

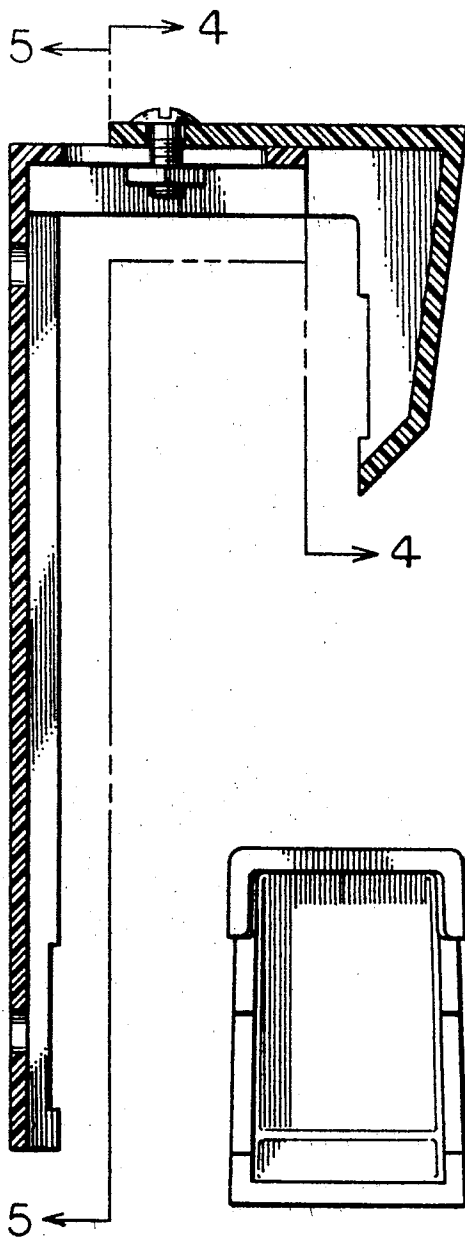


FIG. 3

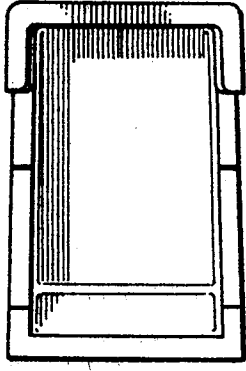


FIG. 4

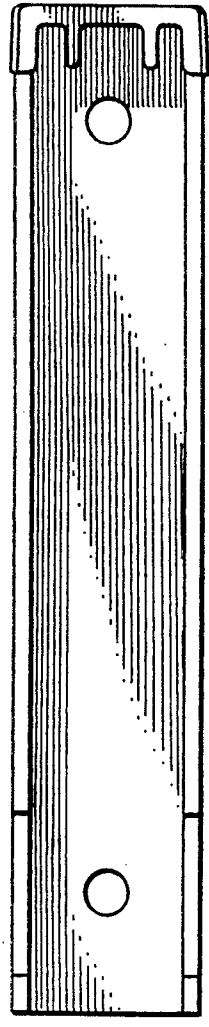


FIG. 5

UNITED STATES PATENT AND TRADEMARK OFFICE  
**CERTIFICATE OF CORRECTION**

PATENT NO. : Des. 274,037

DATED : May 29, 1984

INVENTOR(S) : Phillip A. Crim, Larry S. Hawkins, Michael J.  
Szablak

It is certified that error appears in the above-identified patent and that said Letters Patent are hereby corrected as shown below:

In the Description insert after the paragraph beginning "Fig. 3" but before the paragraph beginning "Fig. 5", the following:

--Fig. 4 is an inside elevational view of one part, as on the line 4-4 of Fig. 3;--

**Signed and Sealed this**

*Nineteenth Day of March 1985*

[SEAL]

*Attest:*

DONALD J. QUIGG

*Attesting Officer*

*Acting Commissioner of Patents and Trademarks*