



US00D642414S

(12) **United States Design Patent**
Wynalda, Jr. et al.

(10) **Patent No.:** **US D642,414 S**

(45) **Date of Patent:** **** Aug. 2, 2011**

(54) **MEDIA DISC STORAGE CONTAINER**

(76) Inventors: **Robert M. Wynalda, Jr.**, Comstock
Park, MI (US); **Robert G. Rajter, Jr.**,
Rockford, MI (US)

(**) Term: **14 Years**

(21) Appl. No.: **29/336,214**

(22) Filed: **Apr. 29, 2009**

(51) **LOC (9) Cl.** **06-04**

(52) **U.S. Cl.** **D6/627; D6/407**

(58) **Field of Classification Search** D6/407,
D6/510, 626-635; D9/415, 418, 420, 422-426,
D9/428, 432-433; D19/26-27; 206/307,
206/307.1, 308.1, 309-313, 308.2, 308.3,
206/445, 387.15, 749, 751; D3/273, 294,
D3/295, 299-301, 303-304, 218, 201, 270;
312/9.1, 902, 9.9, 9.48, 9.55, 9.64, 9.47,
312/9.53; D14/478-479; 40/495; 434/404
See application file for complete search history.

(56) **References Cited**

U.S. PATENT DOCUMENTS

87,804 A	3/1869	Tapley	
909,410 A	1/1909	Hirsch	
958,059 A	5/1910	Wright	
1,368,803 A	2/1921	Johnson	
1,398,746 A	11/1921	Smiler et al.	
1,441,860 A	1/1923	Krause	
2,345,230 A *	3/1944	Bender	206/311
3,200,517 A	8/1965	Amerigo	
3,289,334 A	12/1966	Forest	
3,337,119 A	8/1967	Bowers	
3,826,360 A	7/1974	Shore	
4,488,644 A	12/1984	Wynalda	
RE32,296 E	11/1986	Wynalda	
5,096,064 A	3/1992	Rufo	
5,101,973 A	4/1992	Martinez	

D339,063 S	9/1993	Simon	
5,333,728 A *	8/1994	O'Brien et al.	206/232
5,422,875 A	6/1995	Bribach	
D360,360 S	7/1995	Kiolbasa	
D362,367 S	9/1995	Olsson et al.	
5,460,265 A	10/1995	Kiolbasa	
D371,072 S	6/1996	Baker et al.	
5,662,216 A	9/1997	Nesbitt	
5,669,491 A	9/1997	Petty	

(Continued)

FOREIGN PATENT DOCUMENTS

WO WO 2009/102993 A2 8/2009

OTHER PUBLICATIONS

Office action in related U.S. Appl. No. 12/366,456, filed Feb. 2-5, 2009 (the published application has cited in earlier IDS).

Primary Examiner — T. Chase Nelson
(74) *Attorney, Agent, or Firm* — Zollinger & Burleson Ltd.

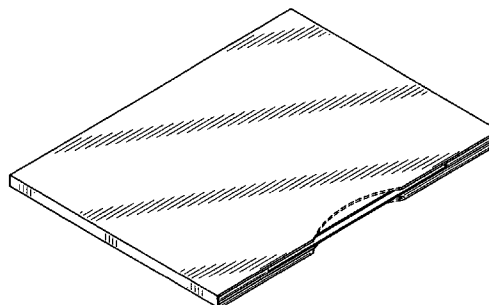
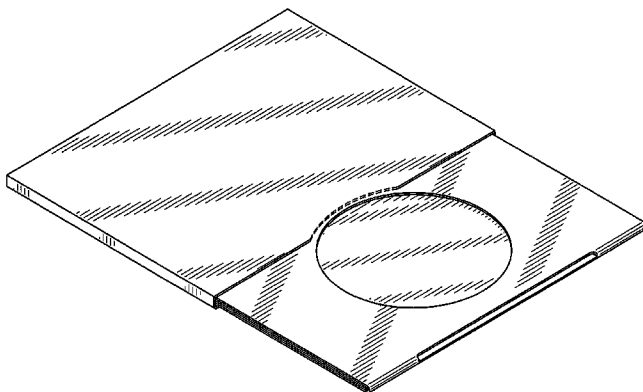
(57) **CLAIM**

The ornamental design for the media disc storage container, as shown and described.

DESCRIPTION

FIG. 1 is a perspective view of a media disc storage container in an open configuration;
FIG. 2 is a perspective view of the media disc storage container of FIG. 1 in a closed configuration;
FIG. 3 is a front elevation of FIG. 1;
FIG. 4 is a rear elevation of FIG. 1;
FIG. 5 is a left side view of FIG. 3;
FIG. 6 is a right side view of FIG. 3;
FIG. 7 is a top plan view of FIG. 3; and,
FIG. 8 is a bottom plan view of FIG. 3.
The broken lines form no part of the claimed design.

1 Claim, 6 Drawing Sheets



US D642,414 S

Page 2

U.S. PATENT DOCUMENTS

D386,406 S	11/1997	House		D559,578 S *	1/2008	Kaiser	D6/407
D387,976 S	12/1997	Mori		D562,049 S	2/2008	Abolfazlian	
5,735,396 A	4/1998	Condorodis		7,325,341 B2	2/2008	Mouyal	
5,772,019 A	6/1998	Reed		D574,654 S *	8/2008	Kaiser	D6/627
5,819,928 A	10/1998	Wynalda		D582,192 S	12/2008	Pan	
D406,002 S	2/1999	Price		D586,602 S	2/2009	Sankey et al.	
5,960,949 A	10/1999	Wynalda		D595,989 S	7/2009	Valladares	
D417,974 S	12/1999	Mori		D599,153 S	9/2009	Wynalda	
D428,730 S	8/2000	Farnstrom		D599,154 S	9/2009	Wynalda	
6,105,762 A	8/2000	Petty		D599,155 S	9/2009	Wynalda	
6,109,432 A	8/2000	Pozzoli		D599,156 S	9/2009	Wynalda	
6,126,201 A	10/2000	Pace		D600,964 S	9/2009	Eliaš et al.	
D433,808 S	11/2000	Moorhouse		D600,965 S	9/2009	Eliaš et al.	
D436,785 S *	1/2001	Kitch	D6/627	D609,563 S	2/2010	Oaum et al.	
6,182,825 B1	2/2001	Butcher		D614,904 S	5/2010	Lau	
D443,435 S	6/2001	Farnstrom		D619,845 S *	7/2010	Gelardi et al.	D6/634
D447,052 S *	8/2001	Goserud	D99/34	7,775,352 B2	8/2010	Alvarez et al.	
6,296,112 B1	10/2001	Petty		D622,997 S	9/2010	Wynalda et al.	
D451,384 S	12/2001	Faulstich		2002/0118948 A1	8/2002	Jones	
D452,762 S	1/2002	Lee		2004/0045843 A1	3/2004	Exline	
6,360,887 B1	3/2002	Petty		2006/0006080 A1	1/2006	Gustafsson et al.	
D463,944 S	10/2002	Wynalda et al.		2006/0175211 A1 *	8/2006	Intveen	206/308.1
D477,143 S	7/2003	Nagata et al.		2007/0235356 A1	10/2007	Durham et al.	
6,845,865 B2	1/2005	Wynalda		2007/0251843 A1	11/2007	Wynalda	
D502,041 S	2/2005	Wynalda et al.		2008/0017536 A1	1/2008	Wynalda	
D514,861 S	2/2006	Mundy		2008/0083145 A1	4/2008	Wynalda	
7,028,835 B1	4/2006	Rajter		2009/0194442 A1	8/2009	Wynalda	
D519,773 S *	5/2006	Jun	D6/632	2009/0288968 A1	11/2009	Wynalda	
D526,896 S	8/2006	Partida		2010/0000890 A1	1/2010	Belden et al.	
7,156,288 B2	1/2007	Liddell		2010/0126890 A1 *	5/2010	Libohova	206/307
7,201,402 B2	4/2007	Duprey		2010/0243489 A1	9/2010	Sabry	
D558,503 S *	1/2008	Hurley	D6/635	2010/0243490 A1	9/2010	Wynalda et al.	

* cited by examiner

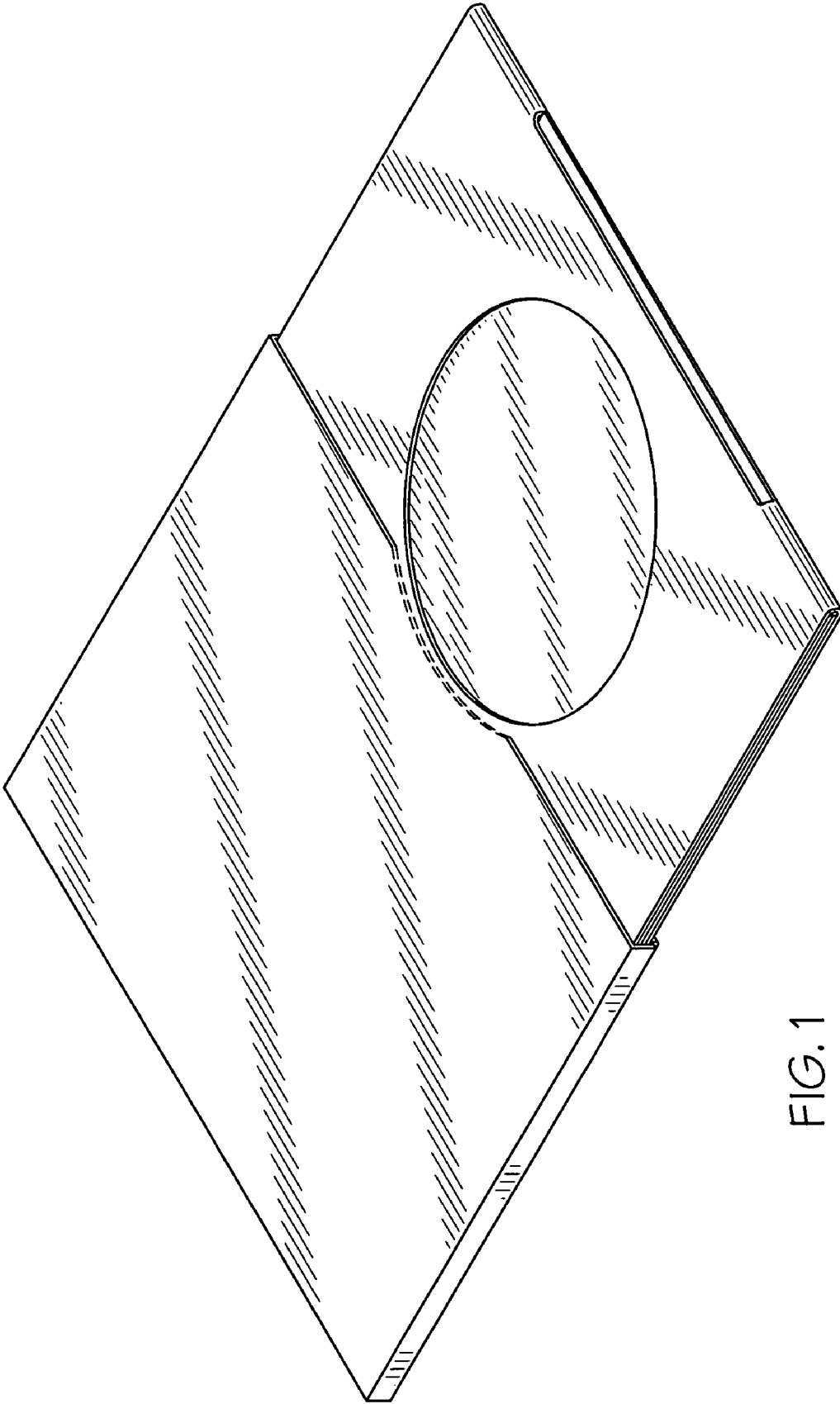


FIG. 1

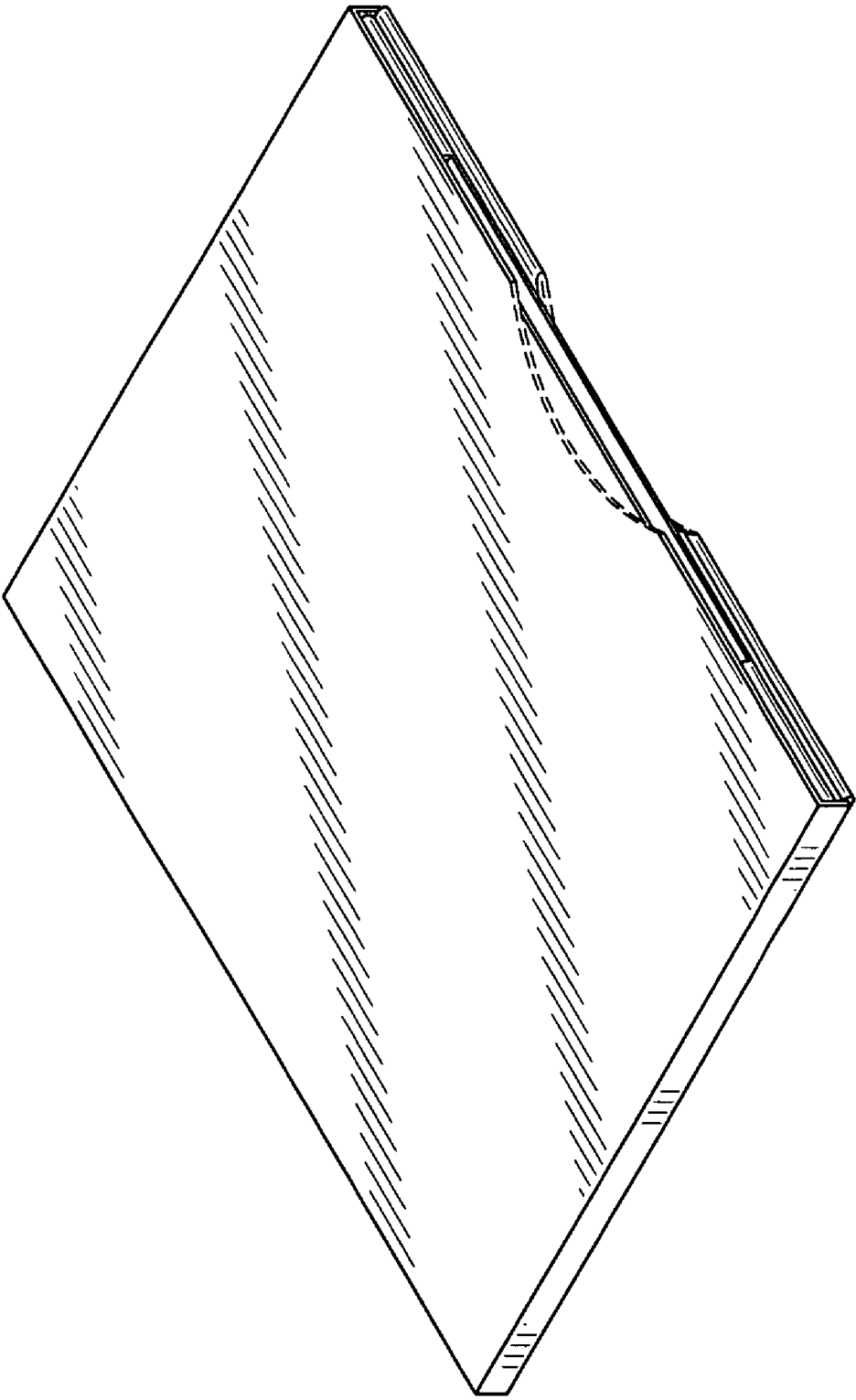


FIG. 2

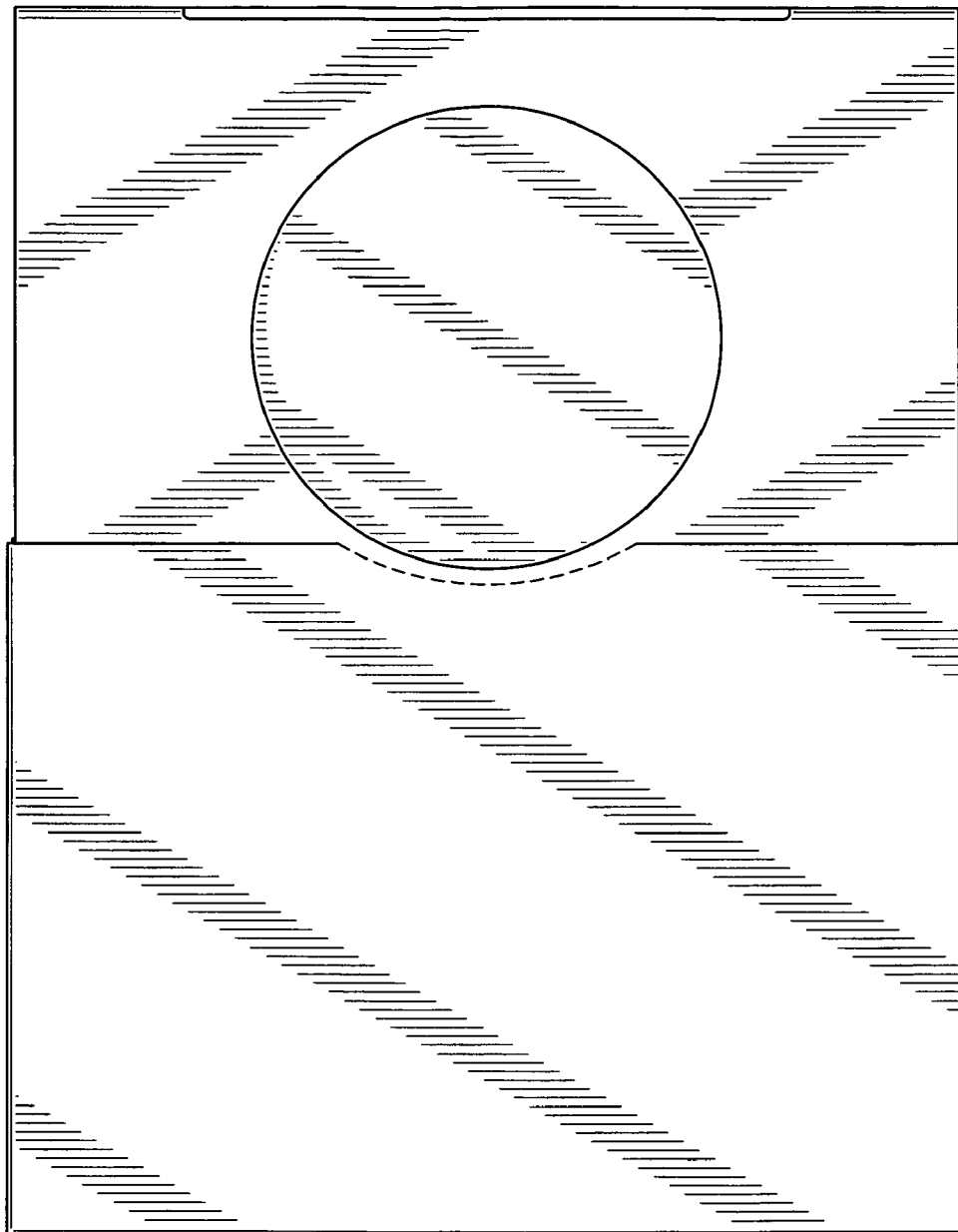


FIG. 3

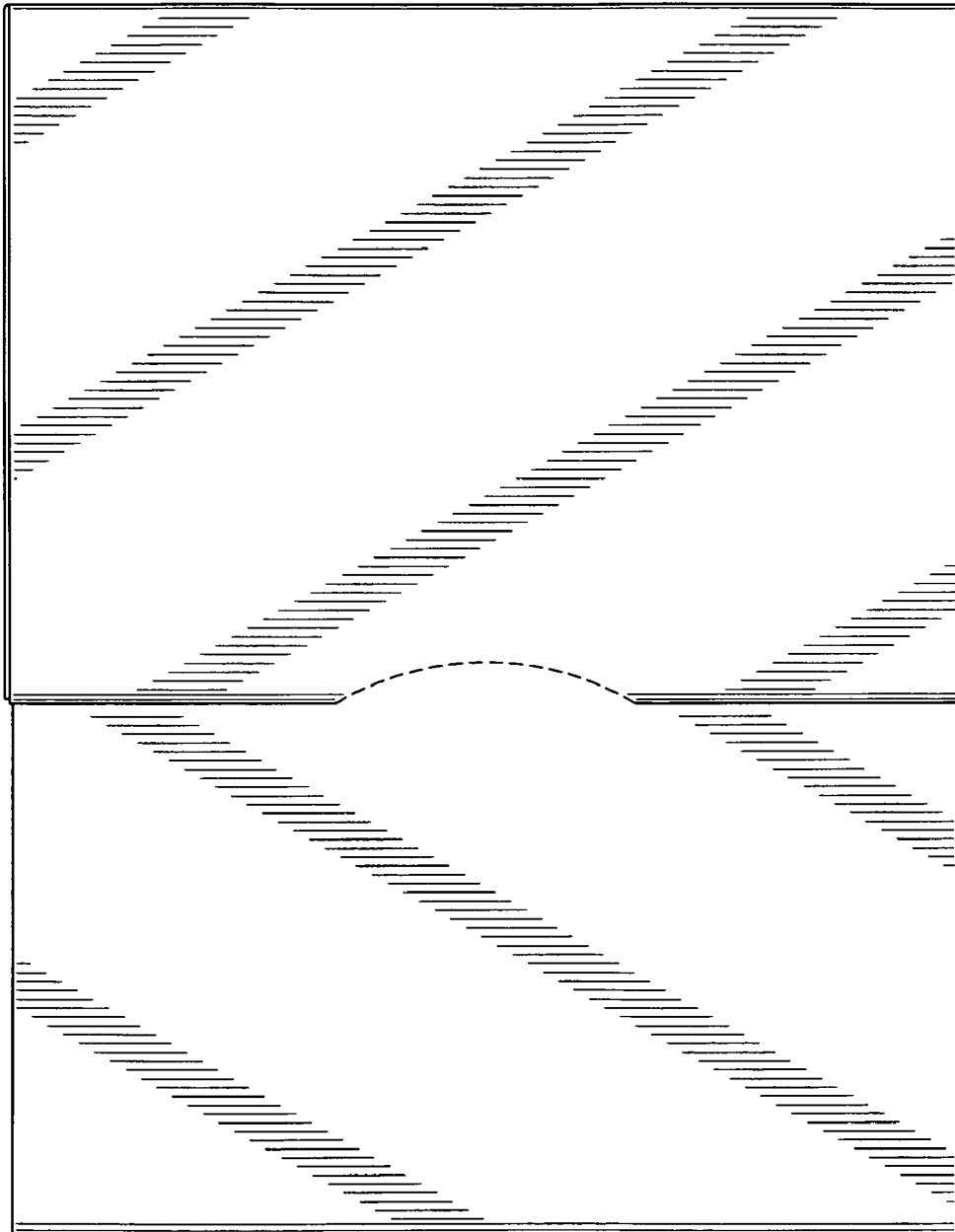


FIG. 4



FIG. 6

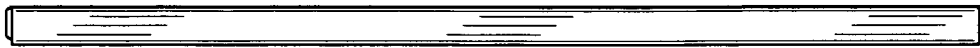


FIG. 5



FIG. 7



FIG. 8