



(12) **United States Design Patent**  
**Zeanah**

(10) **Patent No.:** **US D563,072 S**  
(45) **Date of Patent:** **\*\* Feb. 26, 2008**

- (54) **LITTER DISPOSAL DEVICE**
  - (75) Inventor: **Eric Zeanah**, Knoxville, TN (US)
  - (73) Assignee: **American Accessories International L.L.C.**, Knoxville, TN (US)
  - (\*\*) Term: **14 Years**
  - (21) Appl. No.: **29/277,850**
  - (22) Filed: **Mar. 12, 2007**
  - (51) **LOC (8) Cl.** ..... **09-09**
  - (52) **U.S. Cl.** ..... **D34/7; D27/102**
  - (58) **Field of Classification Search** ..... D34/1,  
D34/5, 6, 7, 10, 11, 9; D27/102, 105, 108;  
220/908-913
- See application file for complete search history.

(56) **References Cited**

**U.S. PATENT DOCUMENTS**

D292,028 S *	9/1987	Rhodes	.....	D27/102
D304,508 S *	11/1989	Charet et al.	.....	D27/105
D322,498 S *	12/1991	McClees et al.	.....	D34/1
D327,756 S *	7/1992	Klein et al.	.....	D34/1
D484,639 S *	12/2003	Fortner	.....	D27/105
D490,581 S *	5/2004	Keithly et al.	.....	D34/1
D493,590 S *	7/2004	Chen	.....	D34/1
D555,317 S *	11/2007	Yang et al.	.....	D34/1

\* cited by examiner

*Primary Examiner*—Cynthia E Ramirez  
(74) *Attorney, Agent, or Firm*—Ryan A. Schneider, Esq.;  
Seyed Kaveh E. Rashidi-Yazd, Esq.; Troutman Sanders LLP

(57) **CLAIM**

The ornamental design for a litter disposal device, as shown and described.

**DESCRIPTION**

FIG. 1 is a perspective view of a litter disposal device with a cover closed showing my design;

FIG. 2 is a side view thereof with the cover closed;

FIG. 3 is a back view thereof with the cover closed;

FIG. 4 is a front view thereof with the cover closed;

FIG. 5 is a top view thereof with the cover closed;

FIG. 6 is a perspective view thereof with the cover open showing a removable extinguishing system;

FIG. 7 is a side view thereof with the cover open showing the removable extinguishing system;

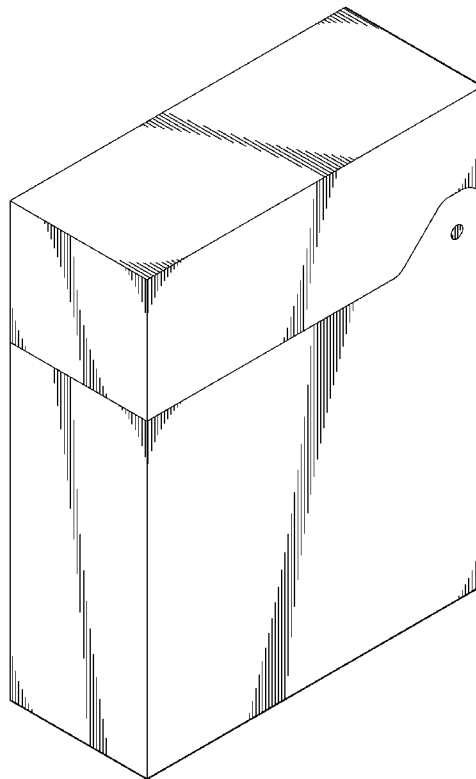
FIG. 8 is a back view thereof with the cover open;

FIG. 9 is a front view thereof with the cover open showing the removable extinguishing system;

FIG. 10 is a top view thereof with the cover open showing the removable extinguishing system; and,

FIG. 11 is a bottom view thereof with the cover open.

**1 Claim, 7 Drawing Sheets**



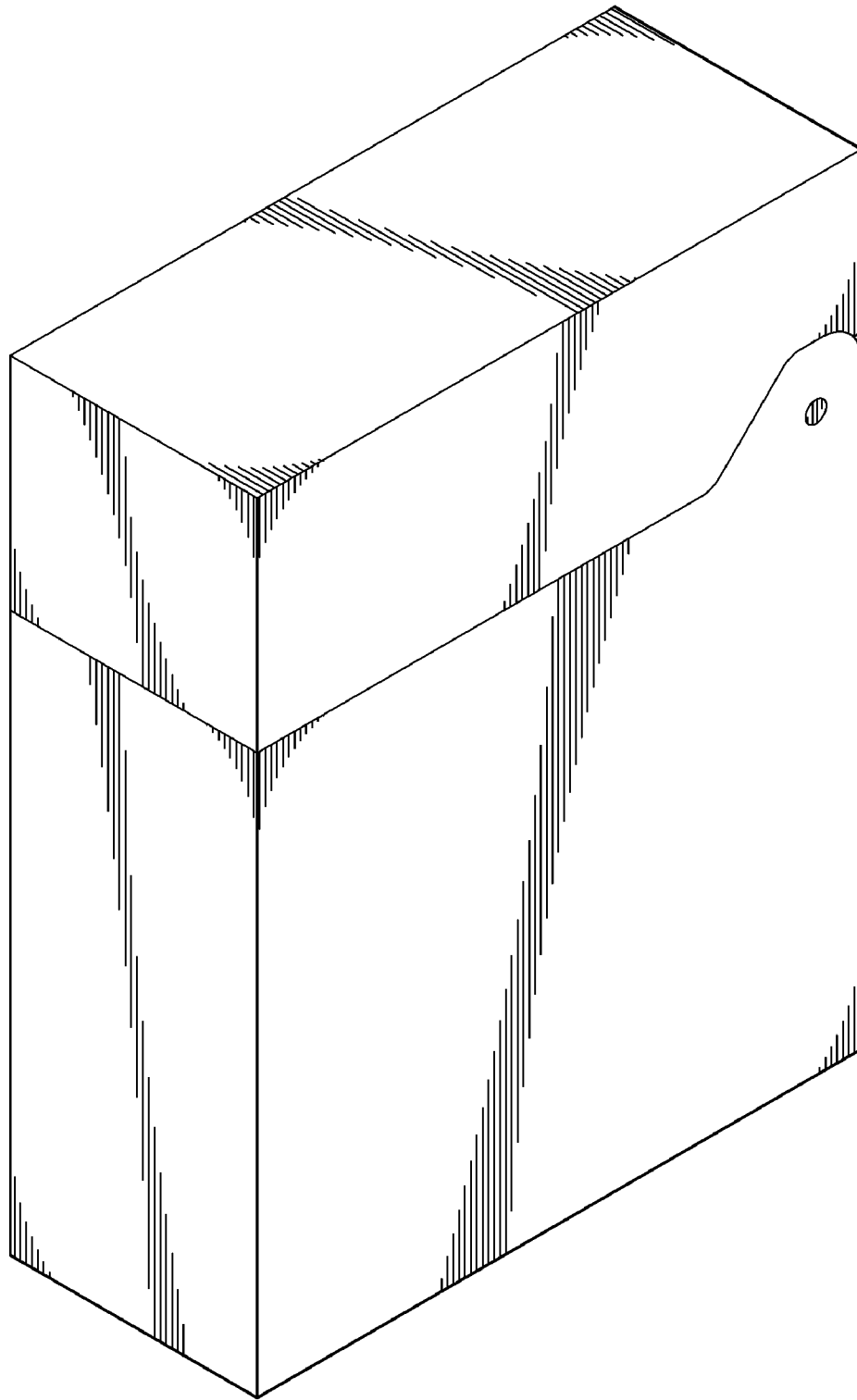


FIG. 1

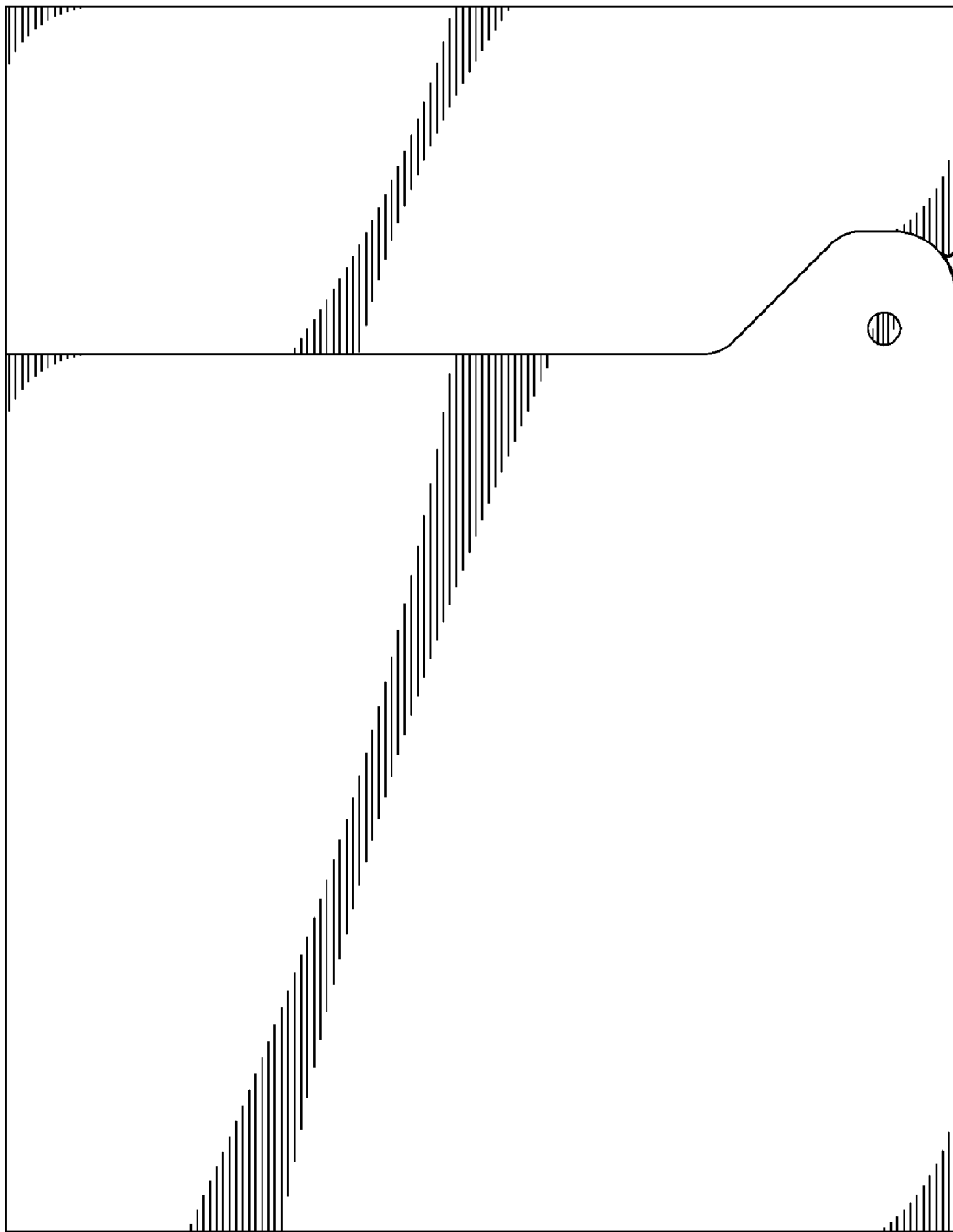


FIG. 2

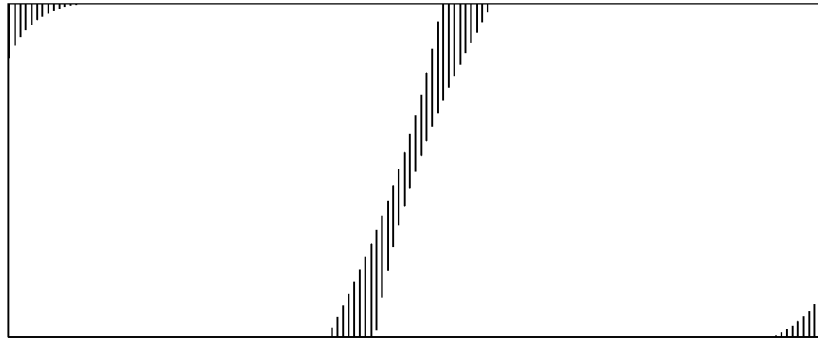


FIG. 5

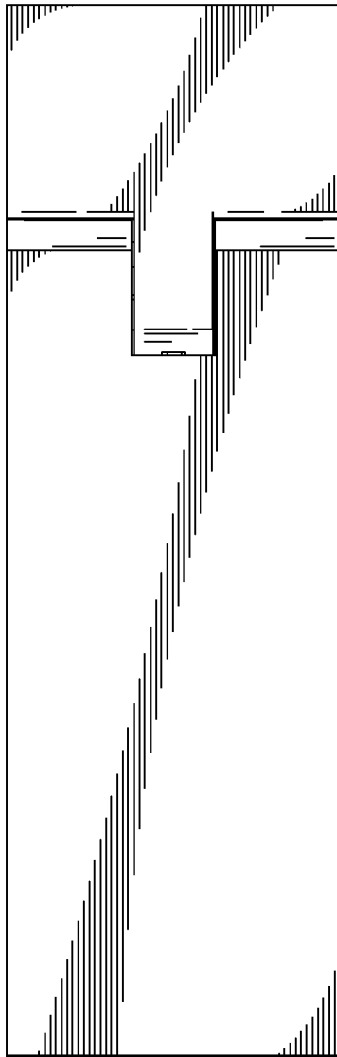


FIG. 3

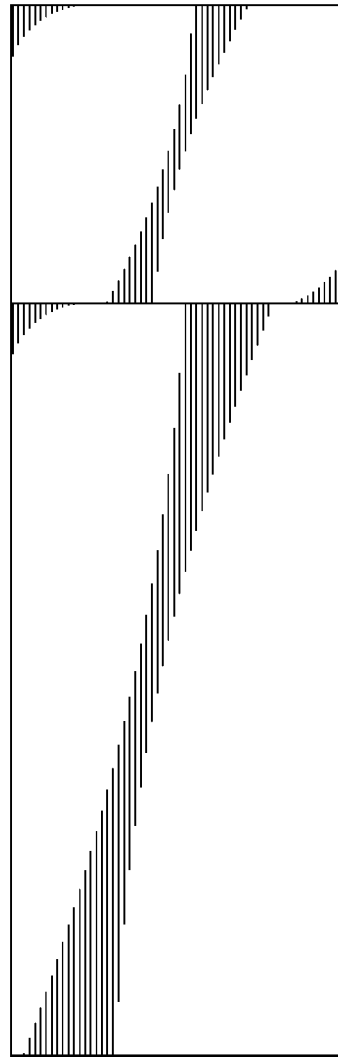


FIG. 4

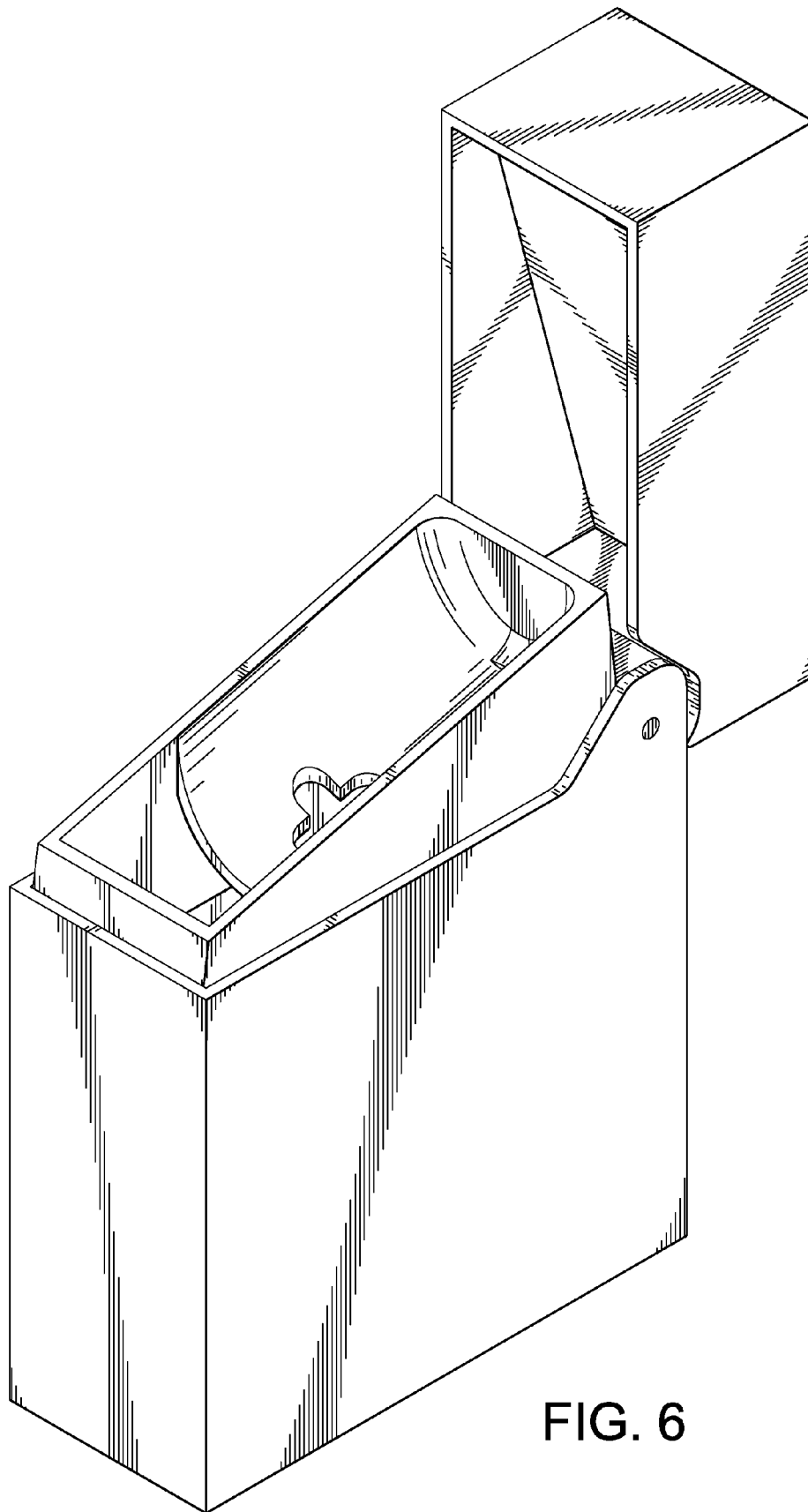


FIG. 6

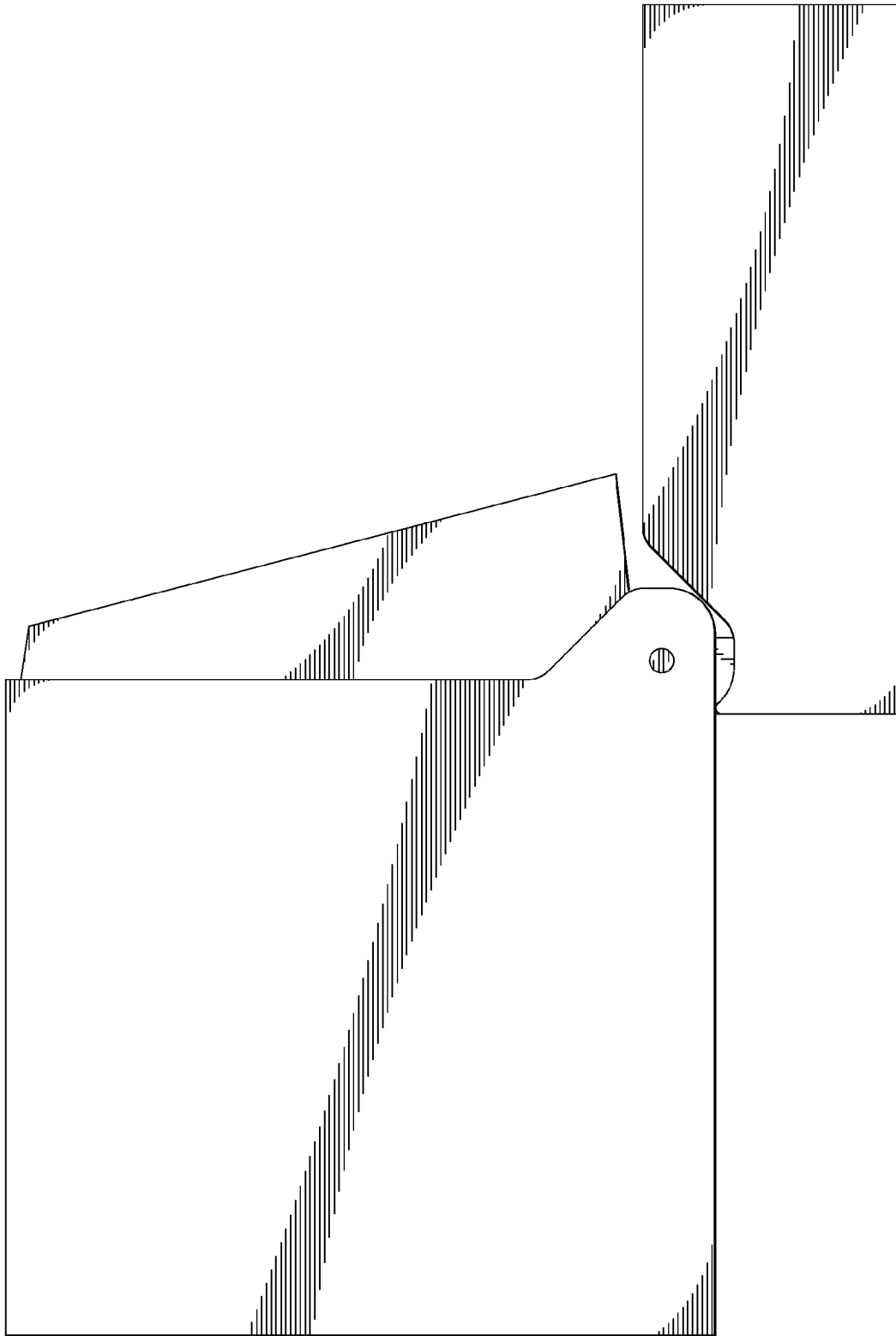


FIG. 7

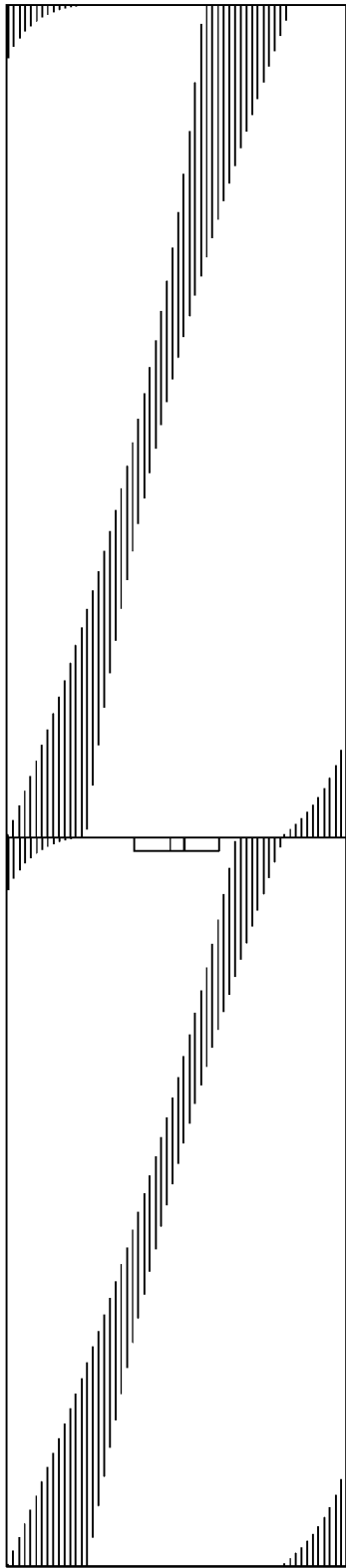


FIG. 8

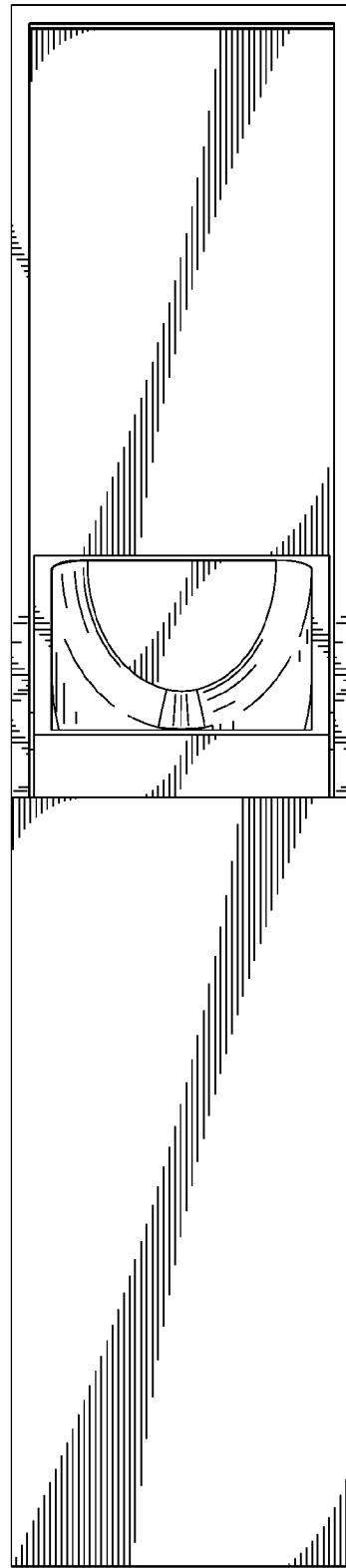


FIG. 9

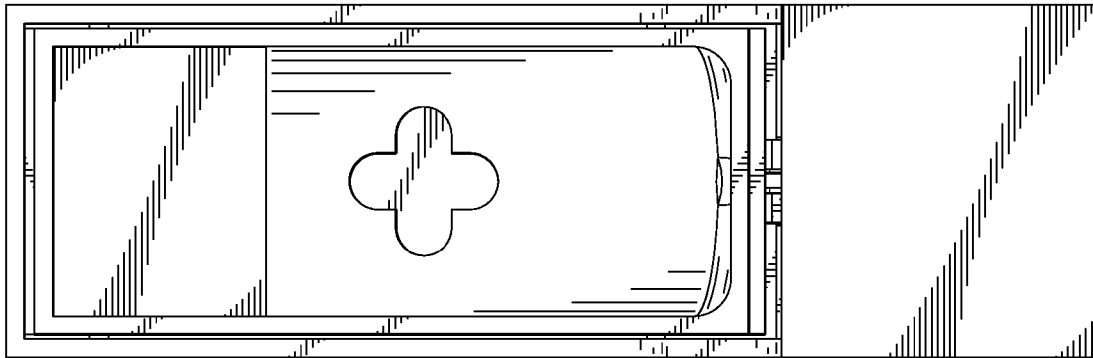


FIG. 10

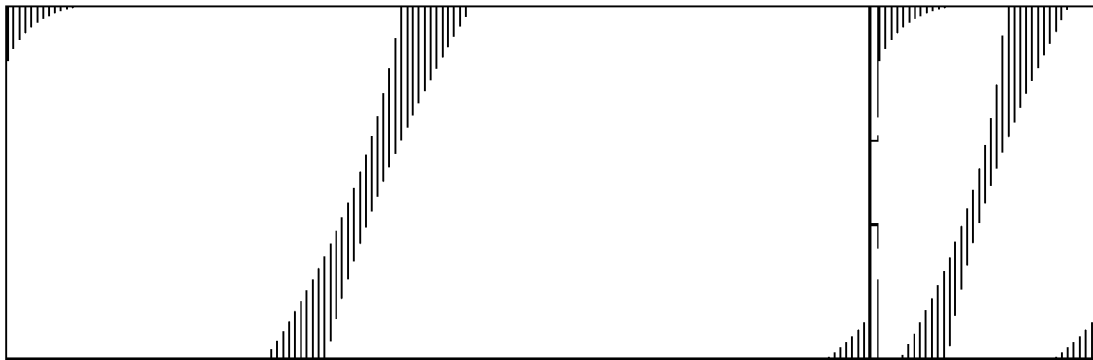


FIG. 11