



US00D596618S

(12) **United States Design Patent**  
**Zha**

(10) **Patent No.:** **US D596,618 S**

(45) **Date of Patent:** **\*\* Jul. 21, 2009**

(54) **LOUDSPEAKER**

D556,188 S \* 11/2007 Ang et al. .... D14/214

(75) Inventor: **Yan Hui Zha**, Shanghai (CN)

\* cited by examiner

(73) Assignee: **Creative Technology Ltd**, Singapore (SG)

*Primary Examiner*—Nanda Bondade

(74) *Attorney, Agent, or Firm*—Kennedy Koblin

(\*\*) Term: **14 Years**

(57) **CLAIM**

(21) Appl. No.: **29/322,842**

The ornamental design for a loudspeaker, substantially as shown and described.

(22) Filed: **Aug. 13, 2008**

**DESCRIPTION**

(51) **LOC (9) Cl.** ..... **14-01**

FIG. 1 is a front perspective view of a loudspeaker in accordance with the present design;

(52) **U.S. Cl.** ..... **D14/209.1; D14/203.8**

FIG. 2 is a rear perspective view thereof;

(58) **Field of Classification Search** ..... D14/203.8,

FIG. 3 is a front elevational view thereof;

D14/204, 209.1, 210–217, 172, 168; 181/143–144, 181/147–148, 150–153, 157, 198–199; 381/300–303, 381/306, 332–333, 336, 345, 361–364, 386–388

FIG. 4 is a rear elevational view thereof;

See application file for complete search history.

FIG. 5 is a left side elevational view thereof;

FIG. 6 is a right side elevational view thereof;

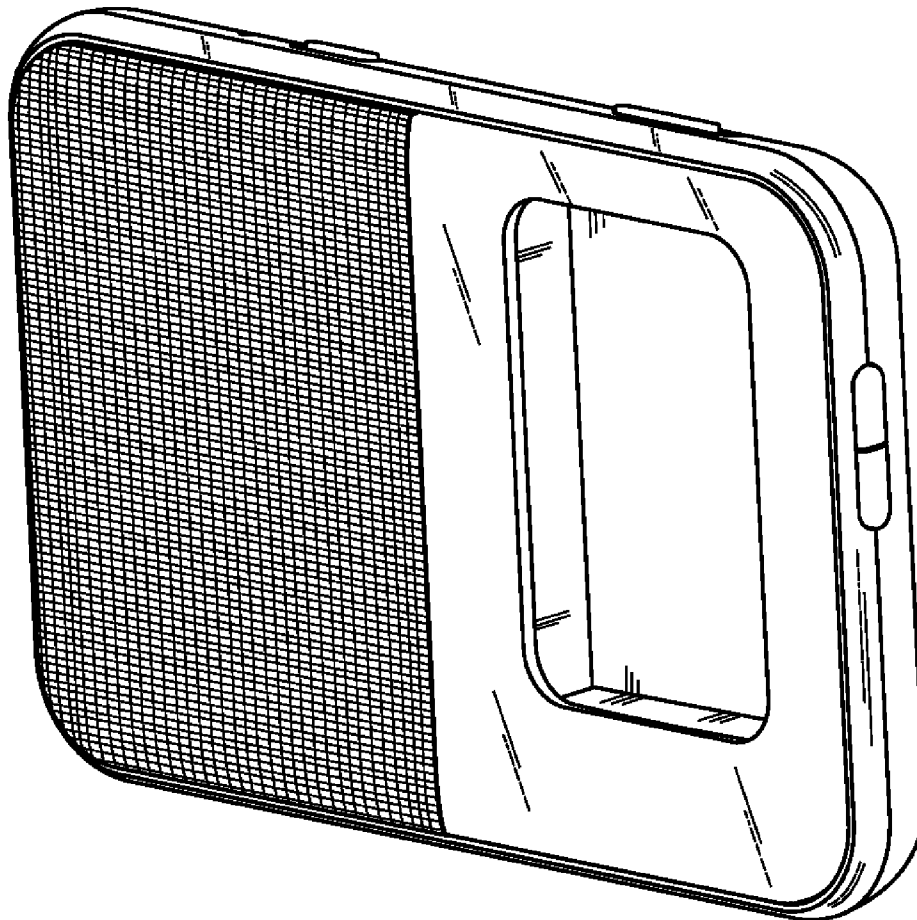
(56) **References Cited**

**U.S. PATENT DOCUMENTS**

D527,018 S \* 8/2006 Christianson ..... D14/209.1

D555,632 S \* 11/2007 Iikura ..... D14/168

**1 Claim, 4 Drawing Sheets**



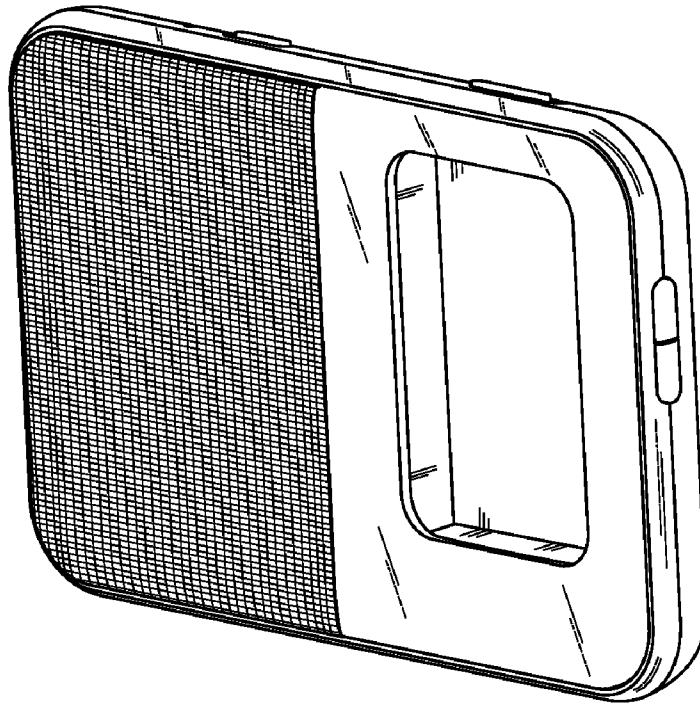


FIG. 1

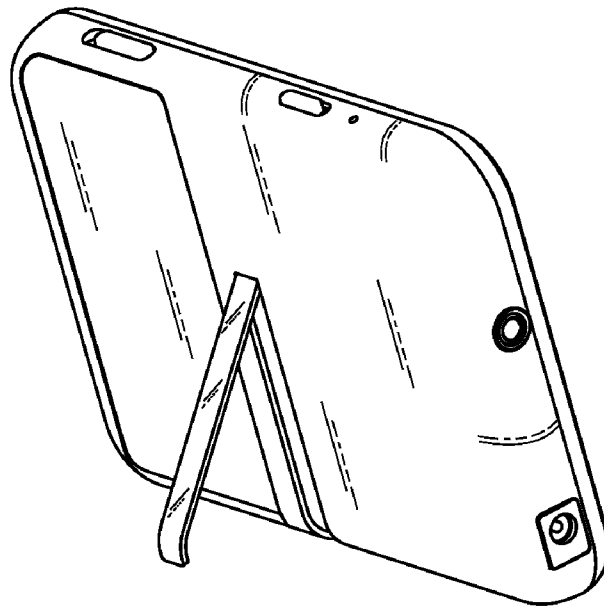


FIG. 2

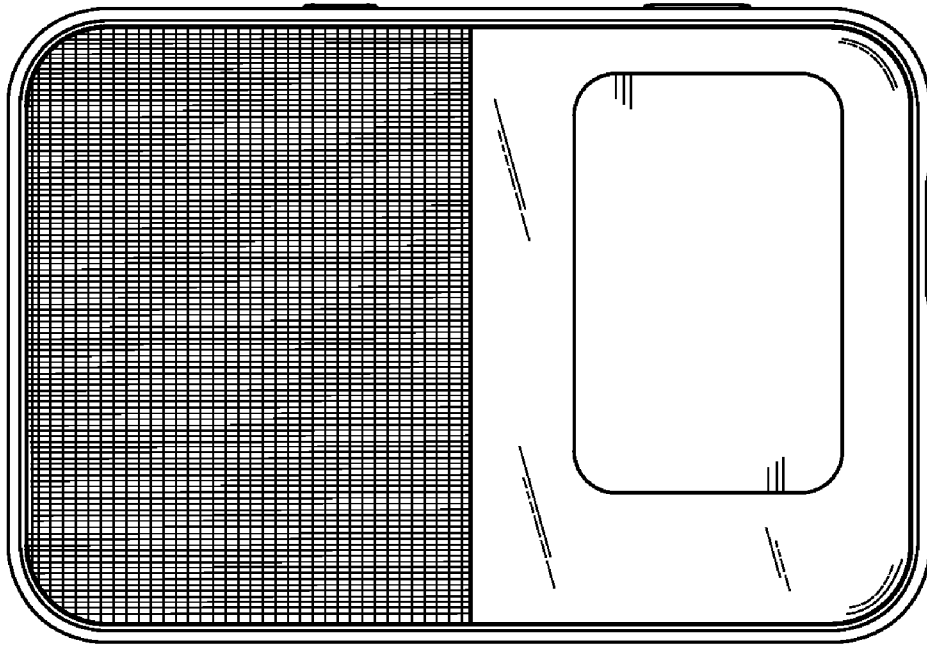


FIG. 3

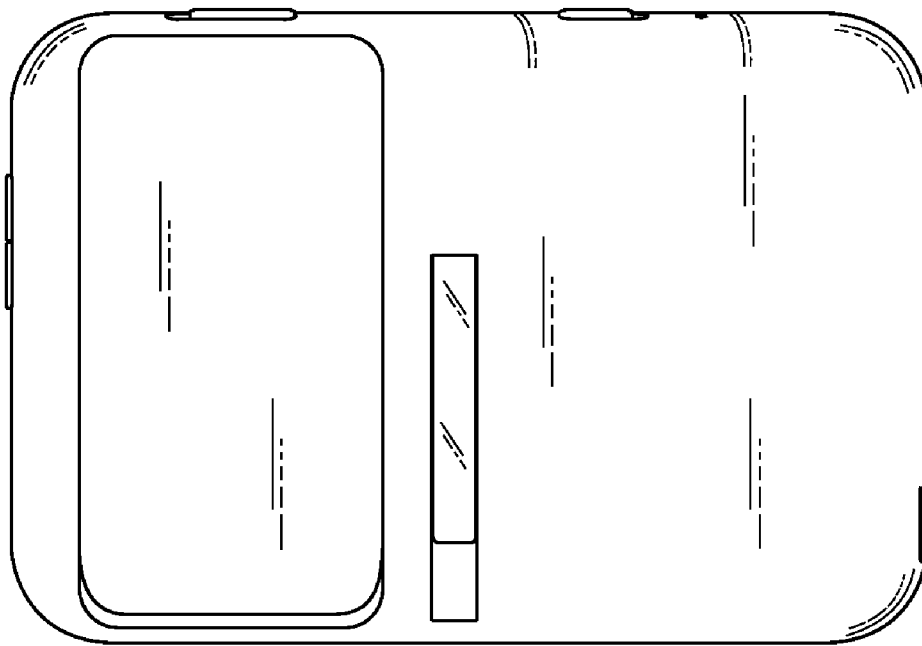


FIG. 4

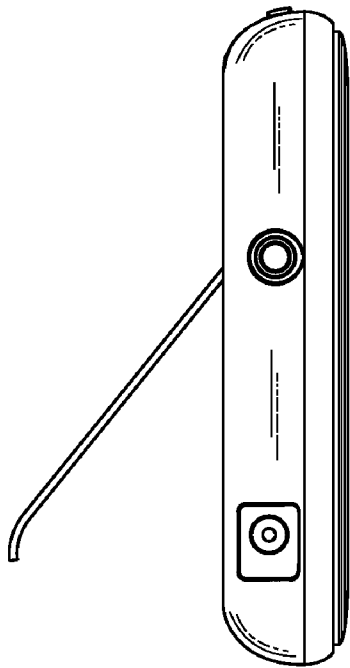


FIG. 5

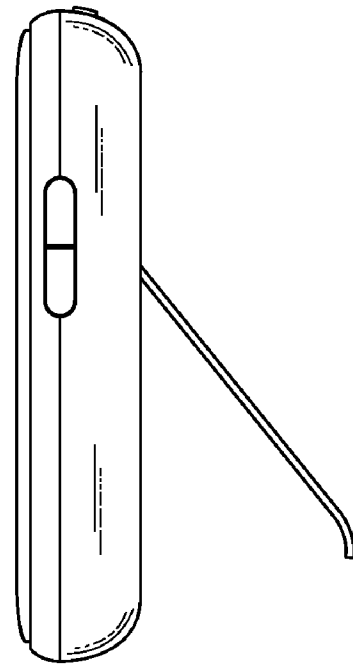


FIG. 6

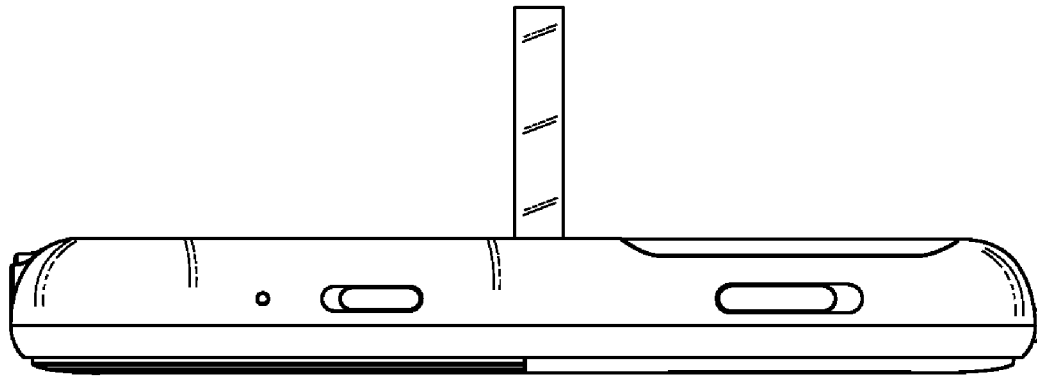


FIG. 7

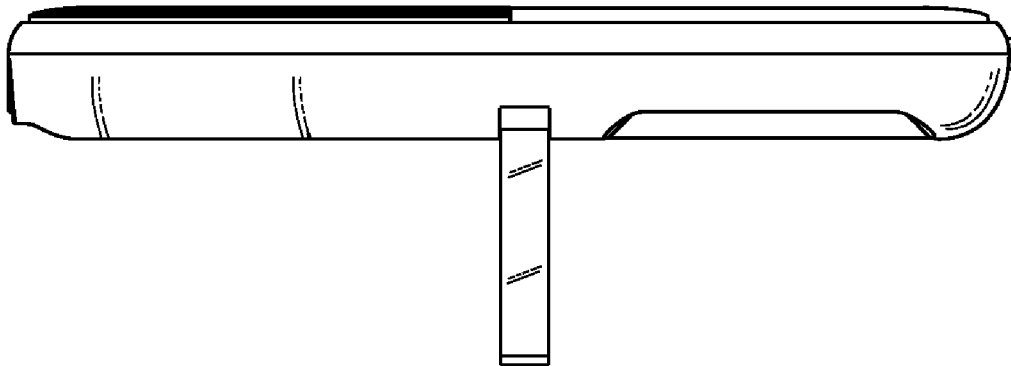


FIG. 8