



US00D921852S

(12) **United States Design Patent**
Ball et al.

(10) **Patent No.:** **US D921,852 S**

(45) **Date of Patent:** **** Jun. 8, 2021**

- (54) **STRAINER**
- (71) Applicant: **WCM Industries, Inc.**, Colorado Springs, CO (US)
- (72) Inventors: **William T. Ball**, Colorado Springs, CO (US); **Eric Pilarczyk**, Colorado Springs, CO (US)
- (73) Assignee: **WCM Industries, Inc.**, Colorado Springs, CO (US)
- (**) Term: **15 Years**

944,046 A	12/1909	Perkins	
1,092,579 A	4/1914	Kohler	
1,330,909 A	2/1920	Sharp	
1,334,407 A	3/1920	Sharp	
1,388,327 A	8/1921	Cornelius	
1,511,017 A	10/1924	Binder	
1,511,018 A *	10/1924	Binder	E03C 1/22
			4/287
1,630,352 A *	5/1927	Mortimer	E03C 1/22
			4/689
2,695,678 A	11/1954	Sisk	
2,859,453 A	11/1958	Leon	
3,380,081 A	4/1968	Eilertson	

(Continued)

- (21) Appl. No.: **29/755,074**
- (22) Filed: **Oct. 16, 2020**

FOREIGN PATENT DOCUMENTS

WO	02/063109	8/2002
WO	2006074504	7/2006

Related U.S. Application Data

- (62) Division of application No. 29/731,361, filed on Apr. 14, 2020, now Pat. No. Des. 899,567, which is a division of application No. 29/637,068, filed on Feb. 13, 2018, now Pat. No. Des. 884,838.
- (51) **LOC (13) Cl.** **23-01**
- (52) **U.S. Cl.**
USPC **D23/261; D23/259**
- (58) **Field of Classification Search**
USPC D23/249, 259-261, 230, 233-234, D23/236-237, 207-209, 303; 137/15.23, 137/549-550; 4/652, 673, 688, 695, 4/288-292
CPC E04D 2013/083; E03C 1/22; E03C 1/2302
See application file for complete search history.

OTHER PUBLICATIONS

Notice of Allowance for U.S. Appl. No. 14/208,970, dated Dec. 27, 2016, 8 pages.

(Continued)

Primary Examiner — Amy C Wierenga

(57) **CLAIM**

The ornamental design for a strainer, as shown and described.

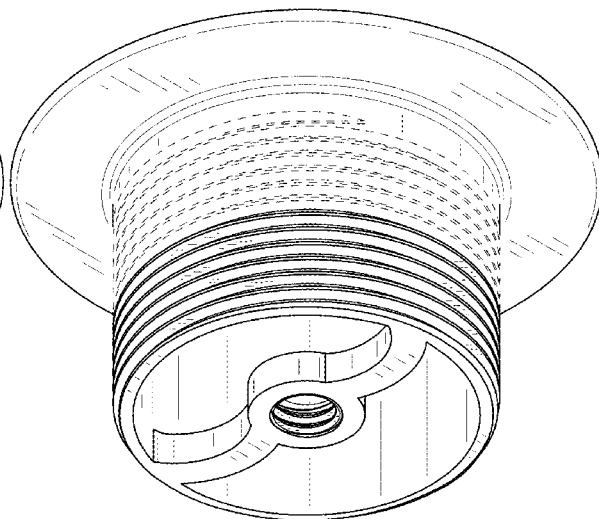
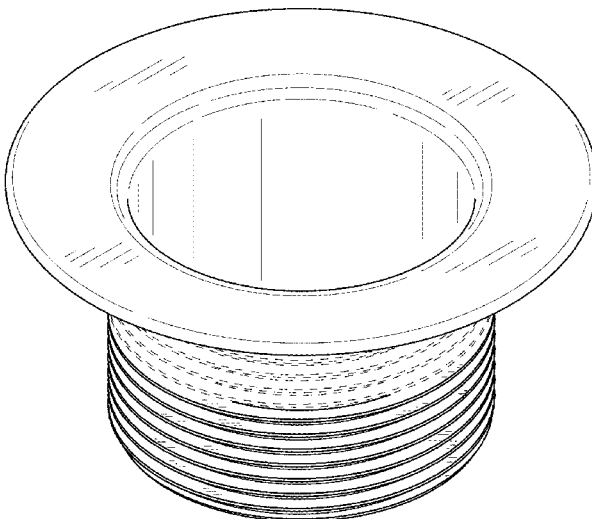
DESCRIPTION

FIG. 1 is a top perspective view of an exemplary strainer. FIG. 2 is a bottom perspective view of the strainer of FIG. 1. FIG. 3 is a side elevation view of the strainer of FIG. 1. FIG. 4 is a top plan view of the strainer of FIG. 1; and, FIG. 5 is a bottom plan view of the strainer of FIG. 1. The broken lines depict the unclaimed portions of the strainer and form no part of the claimed design.

1 Claim, 5 Drawing Sheets

(56) **References Cited**
U.S. PATENT DOCUMENTS

287,246 A	10/1883	Coomber
765,131 A	7/1904	Croswell
843,968 A	2/1907	Sharp
917,395 A	4/1909	Wise
928,032 A	7/1909	Dawes et al.



(56)

References Cited

U.S. PATENT DOCUMENTS

3,393,409 A 7/1968 Politz
 3,771,177 A 11/1973 Rogers
 4,138,747 A 2/1979 Zijlstra
 4,144,599 A 3/1979 Cuschera
 4,146,939 A 4/1979 Izzi
 D261,418 S * 10/1981 Jackson D23/261
 4,339,832 A 7/1982 Cuschera
 5,428,847 A * 7/1995 Atkins E03C 1/23
 4/295
 5,692,248 A 12/1997 Ball
 5,758,368 A 6/1998 Ball
 5,832,545 A 11/1998 Pan
 D402,354 S * 12/1998 Strong D23/259
 6,066,119 A 5/2000 Ball
 6,067,669 A * 5/2000 Peterson E03C 1/262
 4/287
 6,085,362 A * 7/2000 Huber E03D 11/16
 138/96 R
 6,226,806 B1 5/2001 Ball
 6,317,906 B1 11/2001 Ball
 6,418,570 B1 7/2002 Ball
 6,438,765 B1 * 8/2002 Johnson E03D 11/16
 4/252.4
 6,719,294 B2 * 4/2004 Nguyen E03D 11/16
 277/314
 6,895,838 B2 * 5/2005 Stahnke B25B 13/48
 81/124.2
 7,032,254 B1 4/2006 Dong
 7,150,576 B1 12/2006 Kambeyanda
 7,290,295 B2 * 11/2007 Pan A47K 1/14
 4/295
 8,336,132 B2 * 12/2012 Ball E03C 1/232
 4/683
 8,424,123 B2 4/2013 Svensson
 8,813,272 B2 * 8/2014 Ball E03C 1/26
 4/286
 D717,405 S 11/2014 Coronado
 9,074,358 B2 * 7/2015 Ball E03C 1/2306
 9,234,337 B2 1/2016 Ball
 D762,825 S 8/2016 Walker
 9,593,473 B2 3/2017 Schulze
 9,637,897 B2 * 5/2017 Ball E03C 1/262
 9,657,469 B2 5/2017 Edmonds
 9,714,504 B2 7/2017 Bird et al.
 9,890,523 B2 2/2018 Ball
 D817,463 S 5/2018 Curley
 D836,756 S * 12/2018 Myers, II E03C 1/26
 D23/261
 10,151,088 B2 * 12/2018 Ball E03C 1/26
 D884,838 S 5/2020 Ball
 D884,839 S 5/2020 Ball
 D899,567 S 10/2020 Ball
 D899,568 S 10/2020 Ball
 10,815,652 B2 10/2020 Ball
 2001/0007159 A1 7/2001 Ball
 2003/0033662 A1 * 2/2003 Spells, Sr. E03D 11/17
 4/252.5
 2003/0093855 A1 * 5/2003 Rendell E03D 11/17
 4/252.4

2006/0064809 A1 3/2006 Isgro
 2008/0290012 A1 11/2008 Shih
 2010/0000012 A1 1/2010 Evans
 2010/0275364 A1 11/2010 Torres et al.
 2013/0269100 A1 10/2013 Ball
 2014/0000022 A1 1/2014 McLeod
 2014/0053328 A1 2/2014 Chen
 2014/0182053 A1 7/2014 Huang
 2014/0259346 A1 9/2014 Ball
 2014/0325748 A1 11/2014 Ball
 2015/0040312 A1 2/2015 Yang
 2018/0100299 A1 4/2018 Ball
 2018/0305910 A1 10/2018 Heipp
 2019/0167043 A1 * 6/2019 Beck E03C 1/262

OTHER PUBLICATIONS

Official Action for U.S. Appl. No. 14/208,970, dated Aug. 13, 2015, 15 pages.
 Official Action for U.S. Appl. No. 14/208,970, dated Jan. 14, 2016, 10 pages.
 Official Action for U.S. Appl. No. 14/208,970, dated May 25, 2016, 11 pages.
 Official Action for U.S. Appl. No. 14/208,970, dated Sep. 19, 2016, 17 pages.
 U.S. Appl. No. 15/438,848, Notice of Allowance dated Sep. 20, 2017, 9 pages.
 U.S. Appl. No. 15/438,848, Office Action dated May 16, 2017, 12 pages.
 U.S. Appl. No. 15/839,201, Notice of Allowance dated Jun. 18, 2020, 7 pages.
 U.S. Appl. No. 15/839,201, Office Action dated Oct. 2, 2019, 14 pages.
 U.S. Appl. No. 15/839,201, Office Action dated Nov. 29, 2018, 16 pages.
 U.S. Appl. No. 15/839,201, Office Action dated Apr. 19, 2018, 21 pages.
 U.S. Appl. No. 15/839,201, Office Action dated Apr. 6, 2020, 7 pages.
 U.S. Appl. No. 15/839,201, Office Action dated Jun. 12, 2019, 18 pages.
 U.S. Appl. No. 29/637,068, Notice of Allowance dated Jan. 15, 2020, 7 pages.
 U.S. Appl. No. 29/637,068, Restriction Requirement dated Aug. 8, 2019, 7 pages.
 U.S. Appl. No. 29/707,160, Notice of Allowance dated Jan. 22, 2020, 9 pages.
 U.S. Appl. No. 29/733,657, Notice of Allowance dated May 29, 2020, 9 pages.
 WATCO Bushing strainer, Part No. 01033CP, Date of first sale May 28, 2002, 1 page.
 WATCO Lav Drain, Part No. 11432CP, Date of first sale Jan. 10, 2005, 1 page.
 WATCO NuFit L&T, Part No. 01044CP, Date of first sale Mar. 10, 1998, 1 page.
 U.S. Appl. No. 29/731,361, Notice of Allowance dated May 28, 2020, 8 pages.
 U.S. Appl. No. 15/839,201, Notice of Allowance dated Jul. 16, 2020, 2 pages.

* cited by examiner

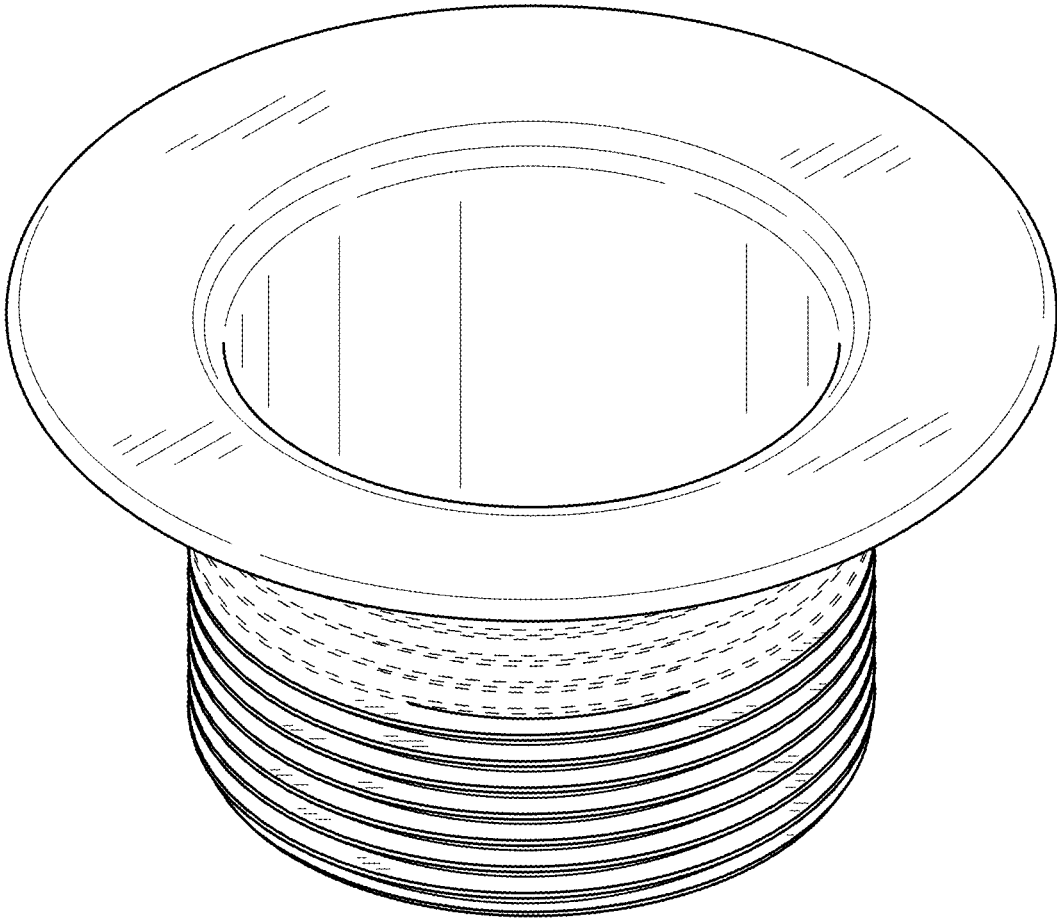


FIG.1

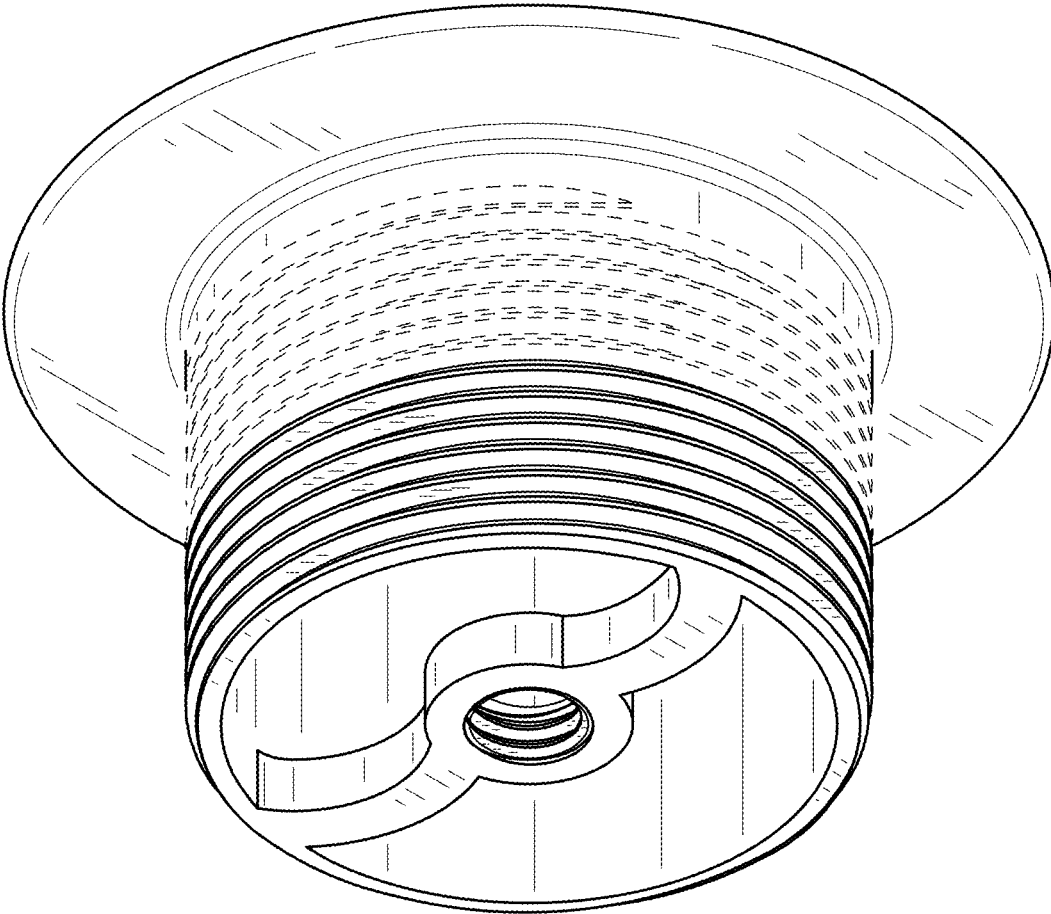


FIG.2

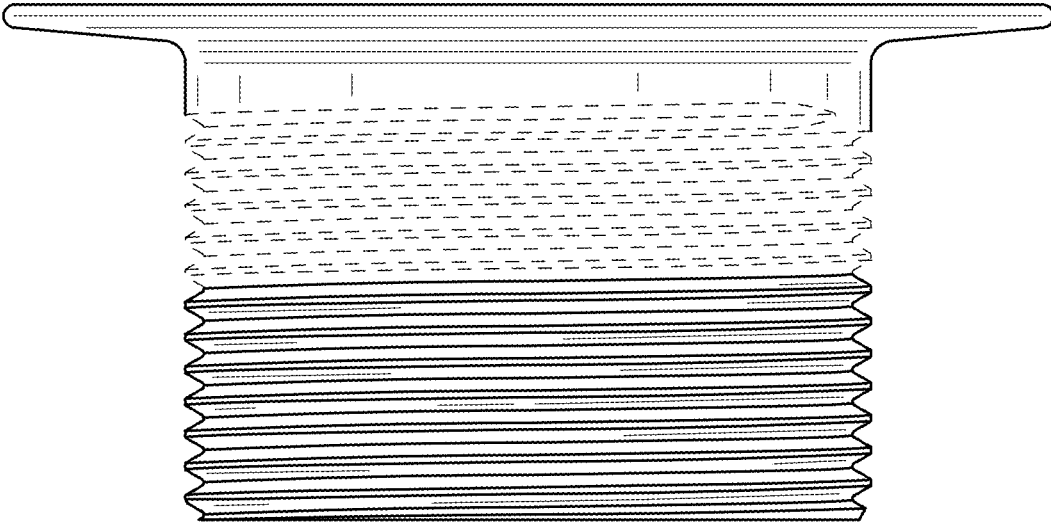


FIG.3

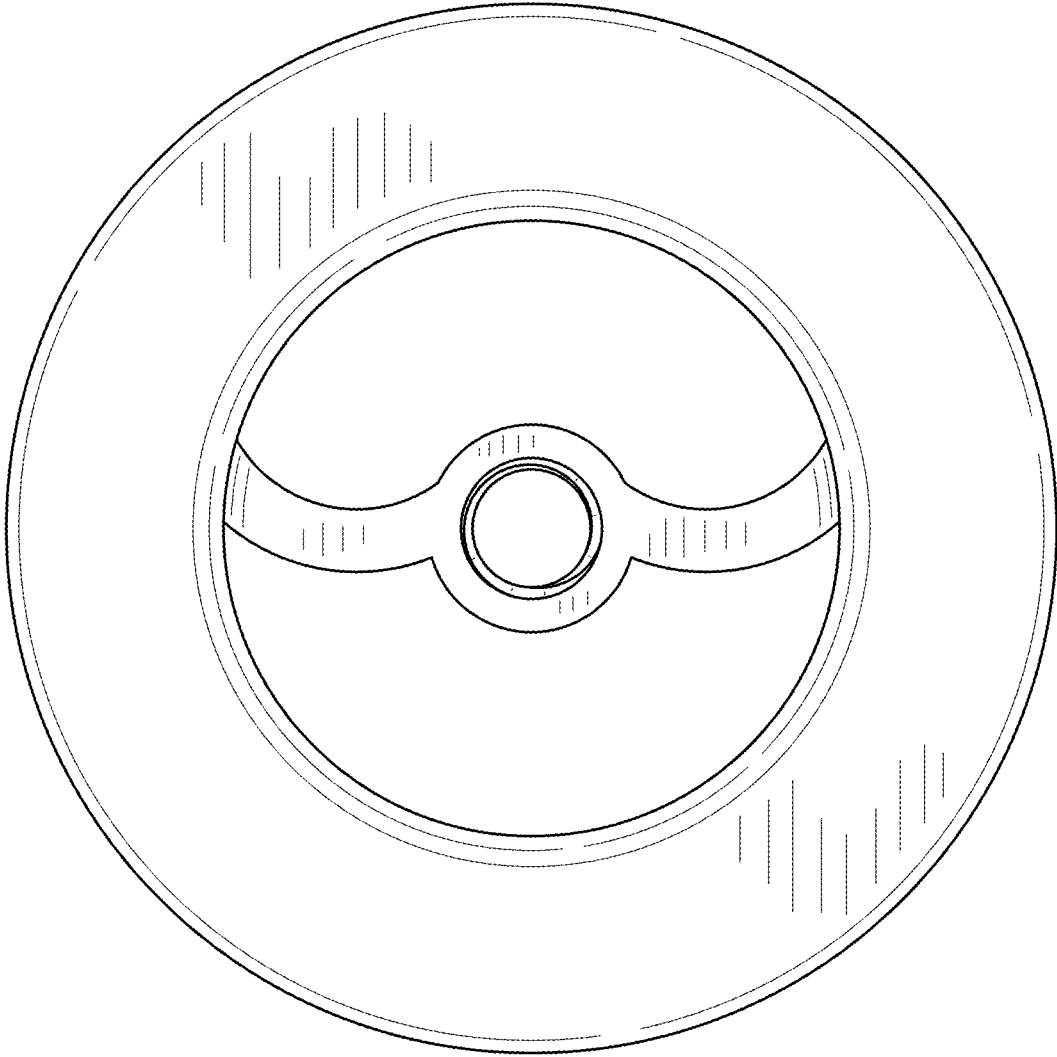


FIG. 4

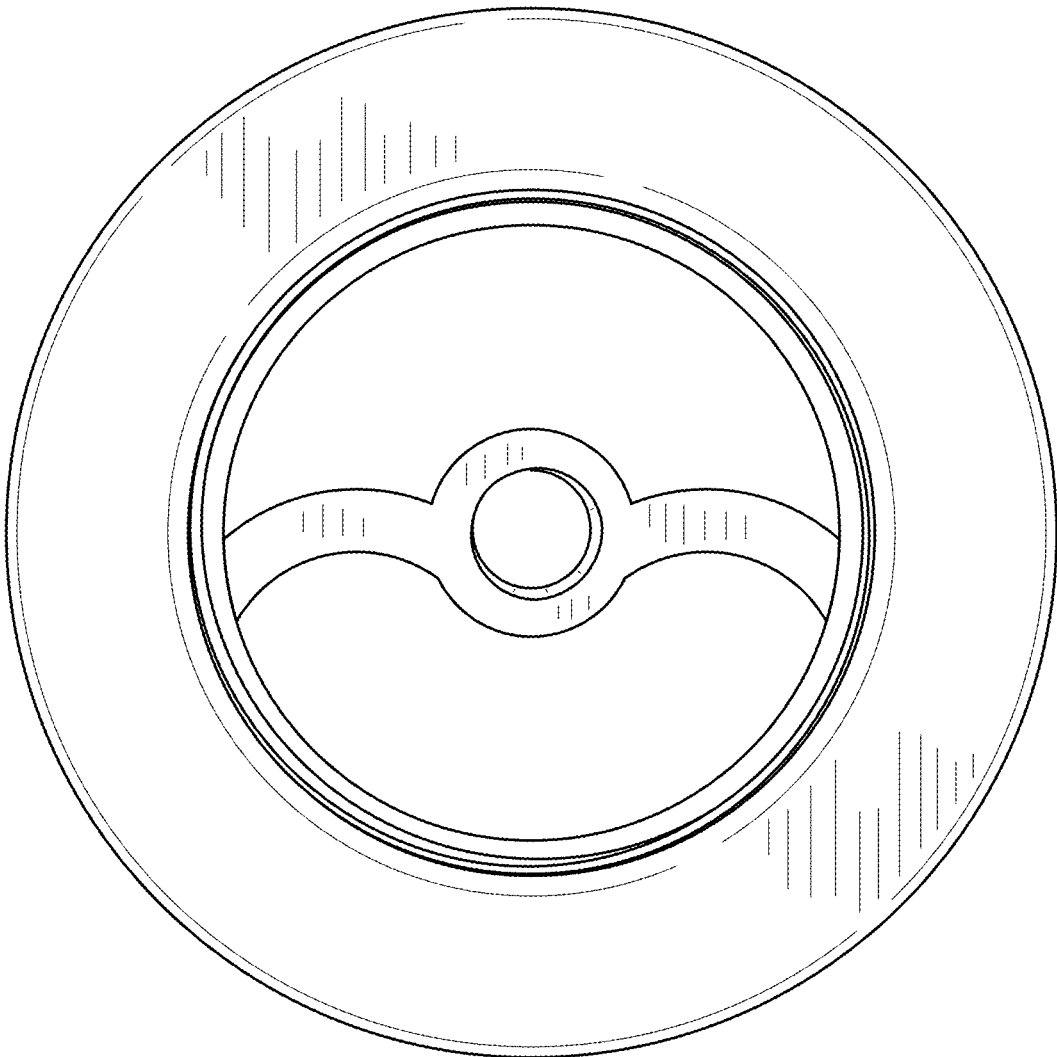


FIG. 5