



US00D695263S

(12) **United States Design Patent**
Mogili

(10) **Patent No.:** **US D695,263 S**

(45) **Date of Patent:** **** Dec. 10, 2013**

(54) **HEADPHONES**

(71) Applicant: **Sennheiser electronic GmbH & Co.**
KG, Wedemark (DE)

(72) Inventor: **Rajender Mogili, Alexandra Technopark**
(SG)

(73) Assignee: **Sennheiser electronic GmbH & Co.**
KG, Wedemark (DE)

(**) Term: **14 Years**

(21) Appl. No.: **29/436,346**

(22) Filed: **Nov. 5, 2012**

(30) **Foreign Application Priority Data**

May 8, 2012 (EM) 001 325 815-0001

(51) **LOC (9) Cl.** **14-01**

(52) **U.S. Cl.**
USPC **D14/205**

(58) **Field of Classification Search**
USPC D14/205; D29/112; 2/209; 379/430,
379/431; 381/380, 381, 374; 455/90.3,
455/575.1

See application file for complete search history.

(56) **References Cited**

U.S. PATENT DOCUMENTS

1,483,315 A * 2/1924 Saal 381/378
2,801,423 A * 8/1957 Shaw et al. 2/209
D203,677 S * 2/1966 Spilman D14/205
3,505,684 A * 4/1970 Hutchinson et al. 2/209
D229,833 S * 1/1974 Becker D14/205

4,133,053 A * 1/1979 Lundin 2/209
4,572,323 A * 2/1986 Randall 181/129
D313,092 S * 12/1990 Nilsson D29/112
D449,034 S * 10/2001 Weikel et al. D14/205
6,678,897 B2 * 1/2004 Lindgren 2/209
D560,654 S * 1/2008 Feng D14/205
D620,474 S * 7/2010 Komiyama D14/205
7,766,120 B2 * 8/2010 Hansson et al. 181/129
D657,345 S * 4/2012 Brunner et al. D14/205
D668,633 S * 10/2012 Enquist D14/205

* cited by examiner

Primary Examiner — Paula Greene

(74) *Attorney, Agent, or Firm* — Frommer Lawrence & Haug LLP

(57) **CLAIM**

The ornamental design for headphones, as shown and described.

DESCRIPTION

FIG. 1 is a front view of the headphones in accordance with the invention.

FIG. 2 is a back view of the headphones in accordance with the invention.

FIG. 3 is a top view of the headphones in accordance with the invention.

FIG. 4 is a bottom view of the headphones in accordance with the invention.

FIG. 5 is a left view of the headphones in accordance with the invention.

FIG. 6 is a right view of the headphones in accordance with the invention; and,

FIG. 7 is a perspective view of the headphones in accordance with the invention.

1 Claim, 5 Drawing Sheets



FIG. 1

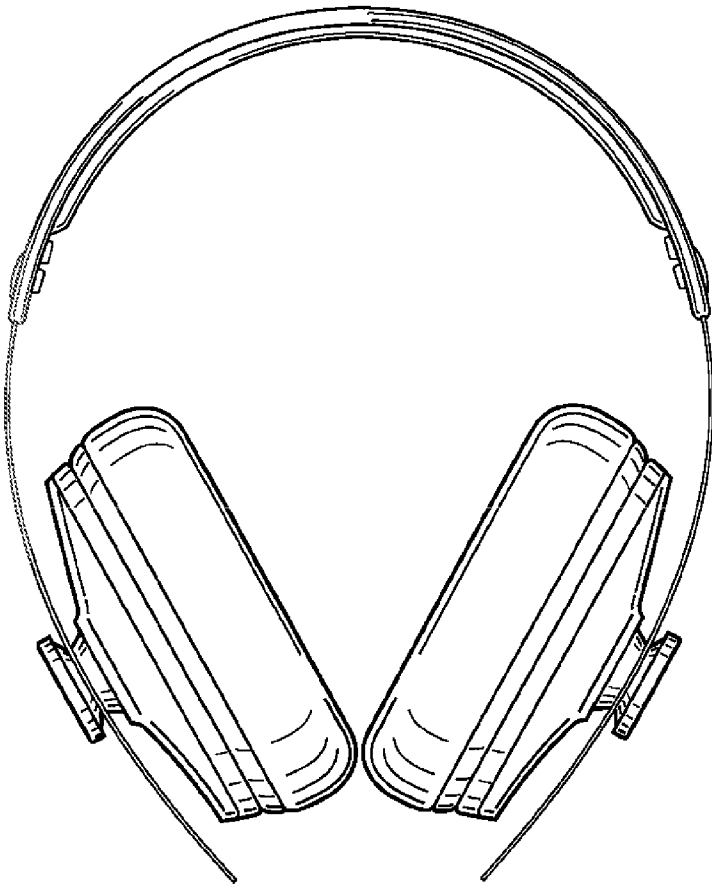


FIG. 2

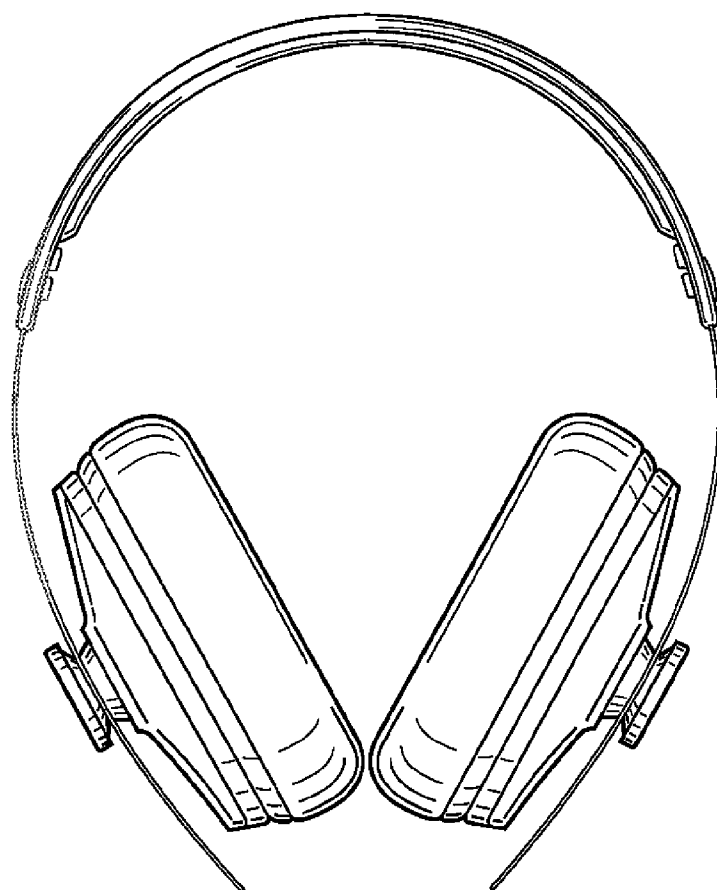


FIG. 3

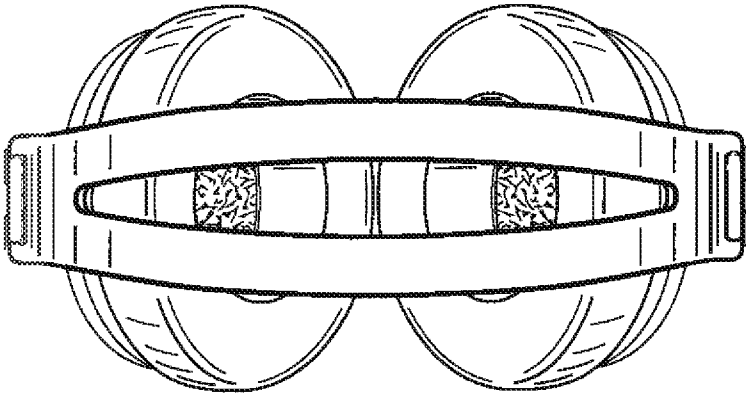


FIG. 4

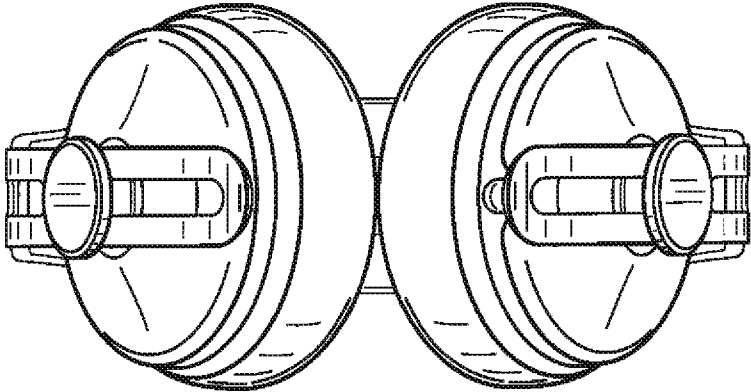


FIG. 5

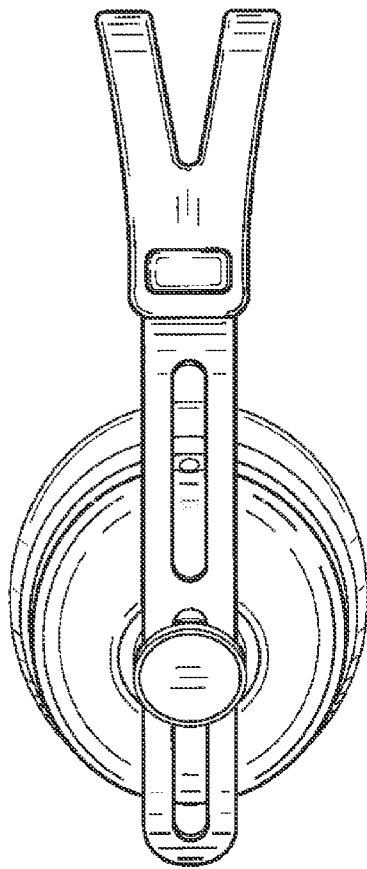


FIG. 6

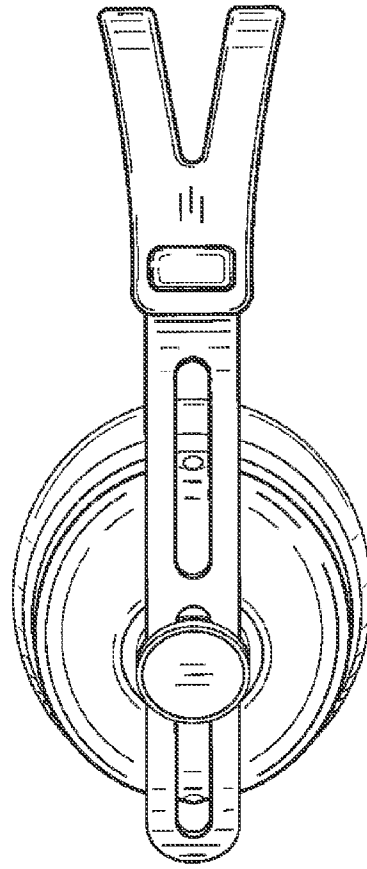


FIG. 7

