



US00D914407S

(12) **United States Design Patent**  
**Greenwood**

(10) **Patent No.:** **US D914,407 S**

(45) **Date of Patent:** **\*\* Mar. 30, 2021**

(54) **BOTTLE ORGANIZER**

(71) Applicant: **YouCopia Products Inc.**, Chicago, IL (US)

(72) Inventor: **Mark Greenwood**, Arlington Heights, IL (US)

(73) Assignee: **YouCopia Products, Inc.**, Chicago, IL (US)

(\*\*) Term: **15 Years**

(21) Appl. No.: **29/682,176**

(22) Filed: **Mar. 1, 2019**

(51) **LOC (13) Cl.** ..... **20-02**

(52) **U.S. Cl.**  
USPC ..... **D6/675.1**

(58) **Field of Classification Search**

USPC ..... D6/300, 310, 320, 329, 512, 513, 514, D6/515, 545, 567, 574, 641, 642, 661, D6/662.1, 663-691, 694, 702, 705, 705.2, D6/705.4, 705.5, 705.6, 705.7, 706, D6/708.16, 712, 719; D7/300, 301, 302, D7/303, 304, 305, 306, 307, 308, 309, D7/310, 311, 312, 313, 314, 315, 316, D7/317, 318, 319, 320, 321, 322, 396.1, D7/552.2, 600, 600.1, 600.4, 701; D8/71, D8/354, 363, 373, 374, 377, 381, 394; D3/201, 297, 304, 306  
CPC ..... A47B 11/00; A47B 9/00; A47B 51/00; A47B 57/00; A47B 57/08; A47B 57/10; A47B 57/16; A47B 57/30; A47B 45/00; A47B 47/00; A47B 47/021; A47B 47/025; A47B 47/027; A47B 87/00; A47B 87/008; A47B 87/02; A47B 87/0207; A47B 43/00; A47B 43/03; A47B 43/04; A47B 88/00; A47B 88/40; A47B 88/423; A47B 88/427; A47B 19/00; A47B 31/00; A47B 2031/002; A47B 2031/003; A47B 2031/008; A47B 63/00; A47B 61/02; A47B 73/00; A47B

(Continued)

(56) **References Cited**

U.S. PATENT DOCUMENTS

242,607 A 6/1881 Cutler  
1,303,090 A 5/1919 McCray  
(Continued)

OTHER PUBLICATIONS

Travel Mug Organizer, youcopia.com [online]. Published on or before Aug. 1, 2020, [retrieved on Aug. 1, 2020]. Retrieved from the Internet: <URL:https://youcopia.com/products/upspace-bottle-organizer?variant=31129084985433> (Year: 2020).\*

*Primary Examiner* — Michael A. Pratt  
*Assistant Examiner* — Adam C Mager  
(74) *Attorney, Agent, or Firm* — Lowe Graham Jones PLLC

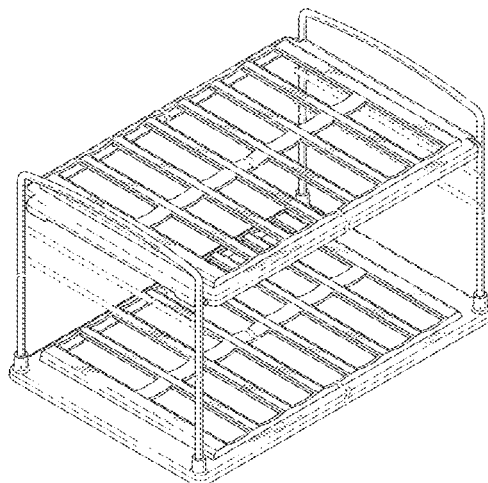
(57) **CLAIM**

The ornamental design for a bottle organizer, as shown and described.

**DESCRIPTION**

FIG. 1 is a top perspective view of the bottle organizer, showing my new design.  
FIG. 2 is a front elevational view of the bottle organizer.  
FIG. 3 is a rear elevational view of the bottle organizer.  
FIG. 4 is a right side elevational view of the bottle organizer.  
FIG. 5 is a left side elevational view of the bottle organizer; and,  
FIG. 6 is a top plan view of the bottle organizer.  
The broken lines depict portions of the article that form no part of the claimed design. The wavy long-dash short-dash lines indicate a symbolic break in the box organizer. The appearance of any portion of the box organizer between the break lines forms no part of the claimed design.

**1 Claim, 6 Drawing Sheets**



(58) **Field of Classification Search**

CPC ... 73/006; A47F 1/00; A47F 1/04; A47F 1/12;  
 A47F 3/00; A47F 3/02; A47F 3/0439;  
 A47F 5/00; A47F 5/00; A47F 5/0018;  
 A47F 5/0043; A47F 10/02

See application file for complete search history.

(56) **References Cited**

U.S. PATENT DOCUMENTS

2,606,091 A 8/1952 George et al.  
 2,839,349 A 6/1958 Culver  
 2,919,814 A 1/1960 Berkowitz  
 3,013,853 A 12/1961 Toms  
 3,339,994 A 9/1967 Reddig et al.  
 3,355,231 A 11/1967 Kegel  
 4,228,903 A 10/1980 Eckert  
 4,343,244 A 8/1982 Moriarty et al.  
 4,356,923 A 11/1982 Young et al.  
 4,441,771 A 4/1984 Roesler  
 4,502,741 A 3/1985 DeVries et al.  
 D278,196 S \* 4/1985 Koves ..... D6/675.2  
 4,620,489 A 11/1986 Albano  
 D292,764 S \* 11/1987 Kester ..... D6/675.2  
 5,244,272 A 9/1993 Thompson  
 5,348,207 A 9/1994 Frank  
 5,385,399 A 1/1995 Weidner  
 D365,732 S 1/1996 Kellen et al.

D405,627 S \* 2/1999 Salvucci ..... D6/675.2  
 6,039,422 A 3/2000 Butters et al.  
 6,122,173 A 9/2000 Felcman et al.  
 6,129,219 A 10/2000 Peickert  
 6,332,546 B1 12/2001 Hunt  
 6,585,334 B2 7/2003 Cheng et al.  
 6,626,509 B2 9/2003 Remmers  
 7,063,219 B2 6/2006 Fann et al.  
 D648,969 S \* 11/2011 Cittadino ..... D6/675  
 D661,950 S 6/2012 Greenwood  
 D682,039 S 5/2013 Tiemann  
 D682,040 S 5/2013 Tiemann  
 D684,404 S 6/2013 Hertaus  
 D686,464 S 7/2013 Tiemann  
 D701,432 S 3/2014 Tsai  
 D703,005 S 4/2014 Tiemann  
 D704,482 S \* 5/2014 Hsu ..... D6/675.1  
 D713,692 S 9/2014 Tsai  
 D746,089 S \* 12/2015 Hsu ..... D6/683  
 9,211,009 B2 12/2015 Greenwood  
 D769,073 S 10/2016 Lipper McCauley  
 D785,995 S \* 5/2017 Tsai ..... D6/705.6  
 D801,731 S \* 11/2017 Cao ..... D6/675.1  
 D802,369 S 11/2017 Hertaus et al.  
 D831,430 S 10/2018 Hertaus  
 2002/0066708 A1 6/2002 Gerard  
 2006/0266723 A1 11/2006 Nickerson  
 2007/0228909 A1 10/2007 Hwang et al.  
 2009/0045201 A1 2/2009 Cheng et al.

\* cited by examiner

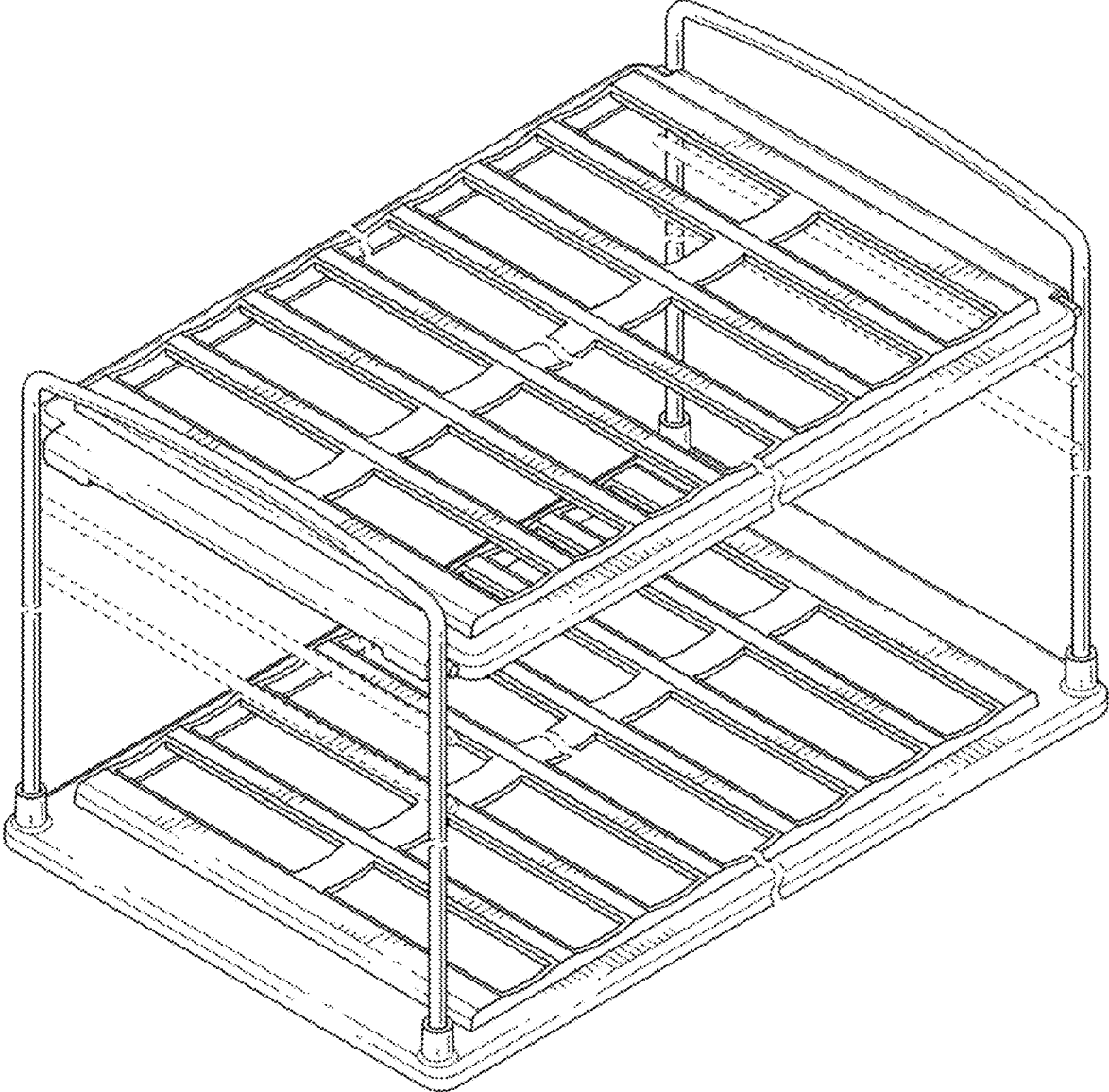


FIG. 1

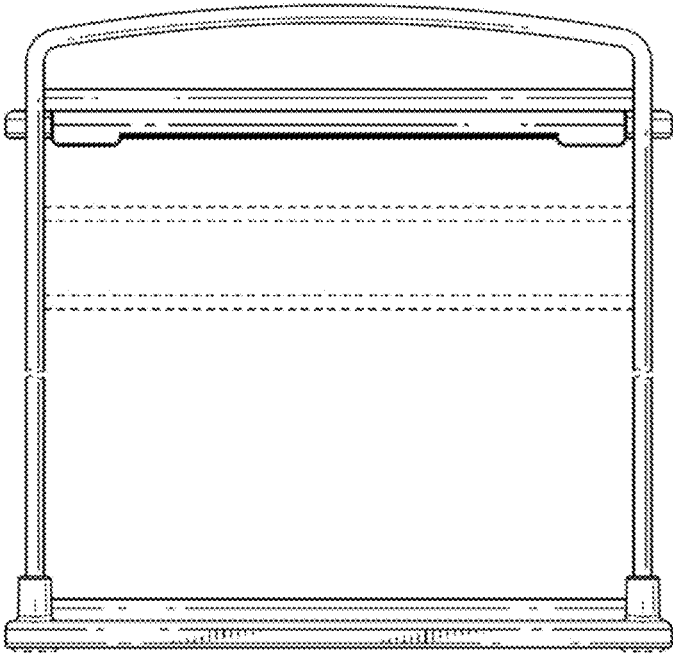


FIG.2

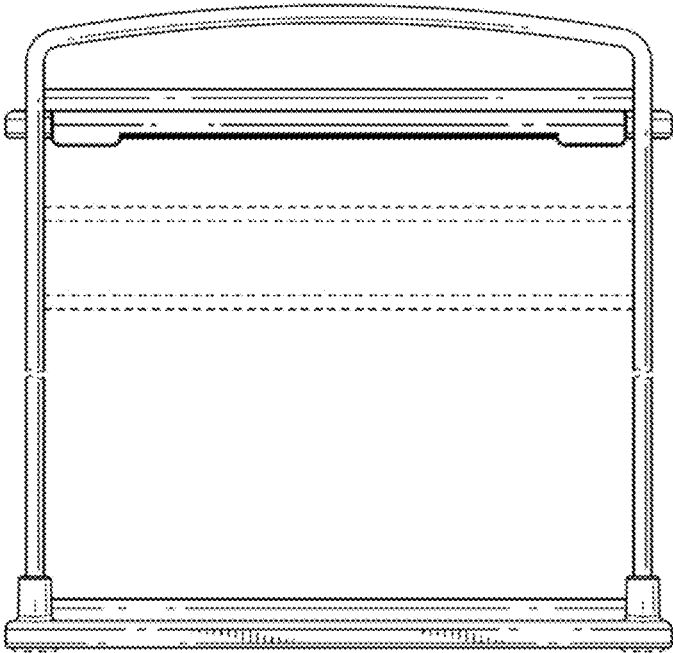


FIG.3

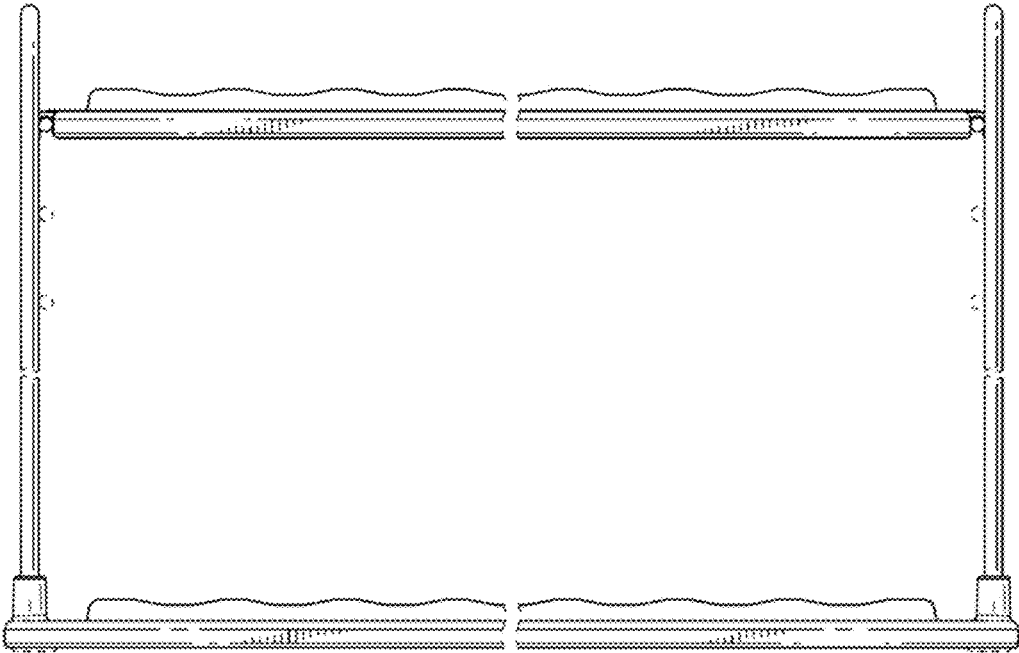


FIG.4

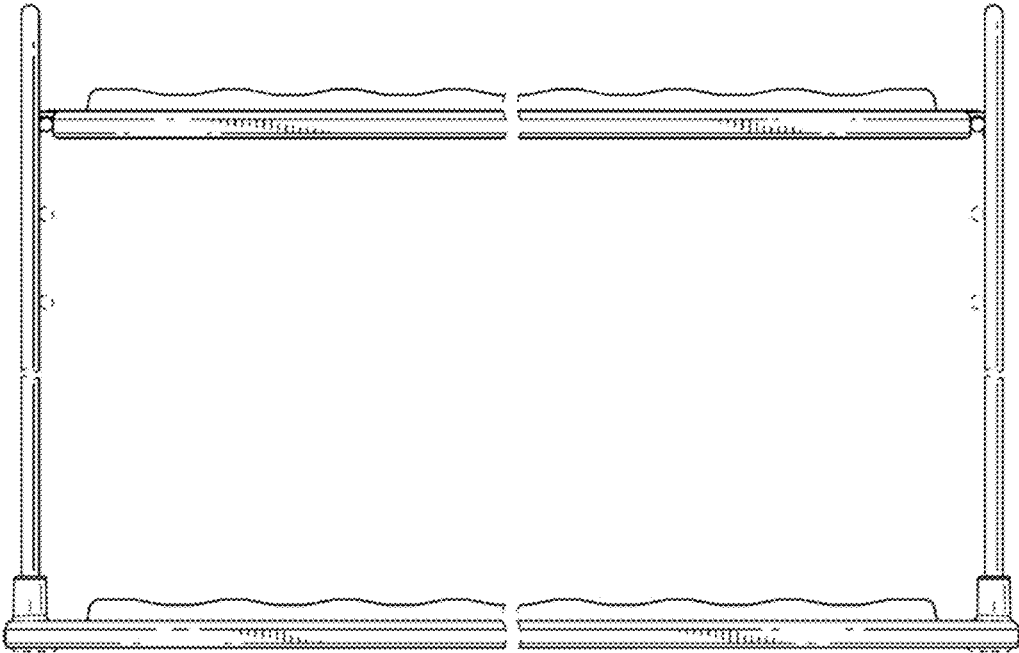


FIG. 5

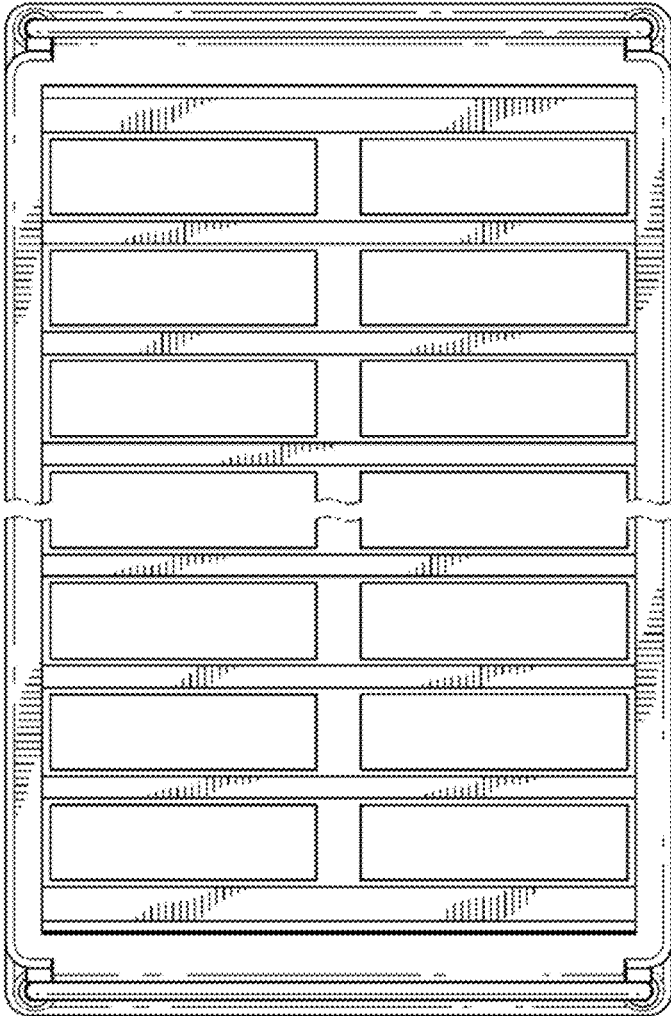


FIG.6