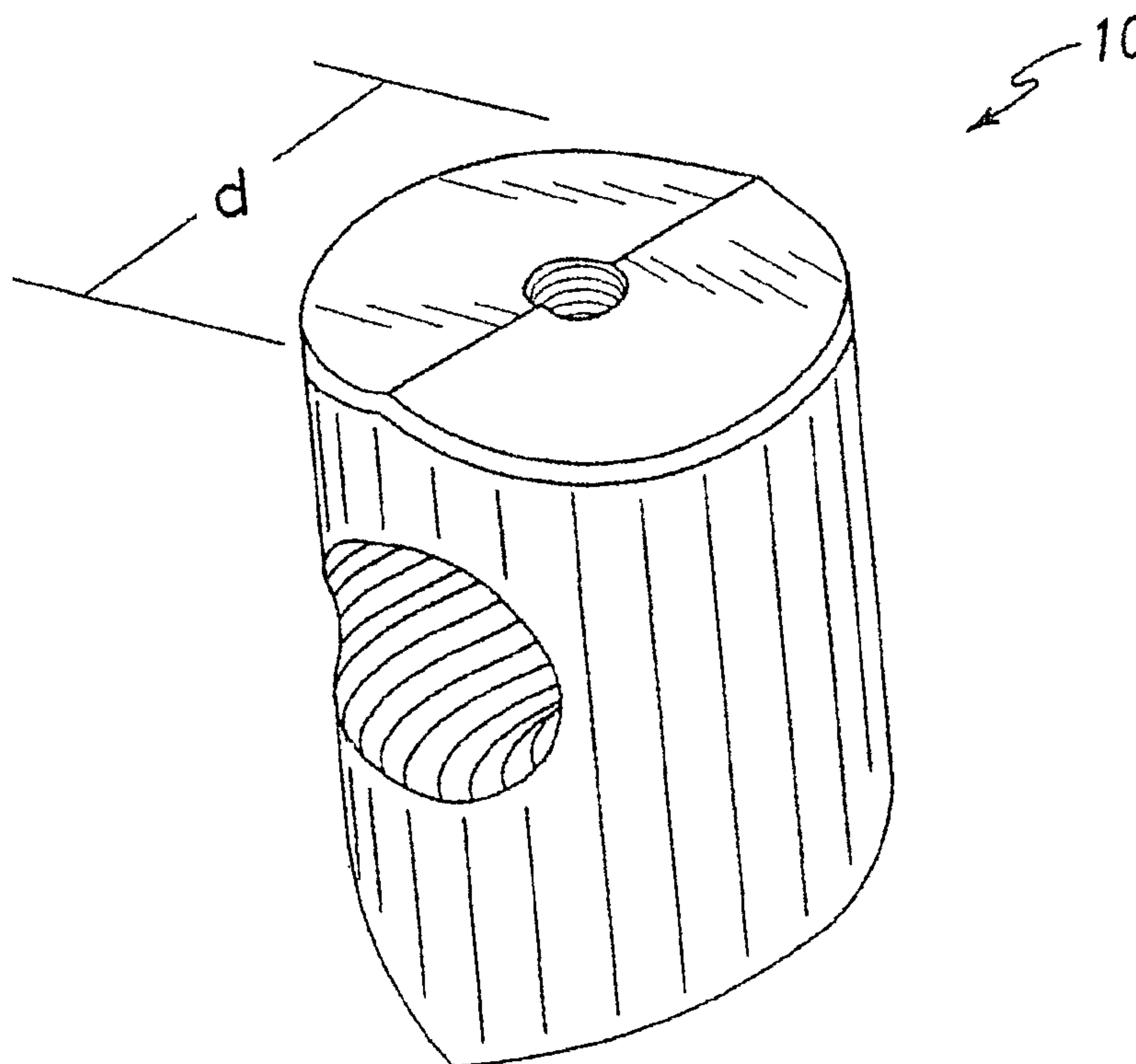




(22) Date de dépôt/Filing Date: 1997/10/21  
 (41) Mise à la disp. pub./Open to Public Insp.: 1998/04/30  
 (62) Demande originale/Original Application: 2 269 342  
 (30) Priorité/Priority: 1996/10/23 (US08/740,031)

(51) Cl.Int./Int.Cl. *A61F 2/44* (2006.01),  
*A61B 17/70* (2006.01)  
 (71) Demandeur/Applicant:  
SDGI HOLDINGS, INC., US  
 (72) Inventeurs/Inventors:  
PAFFORD, JOHN, US;  
BOYD, LAWRENCE M., US;  
MCKAY, WILLIAM F., US;  
RAY, EDDIE F., III, US;  
VAN HOECK, JAMES E., US  
 (74) Agent: SMART & BIGGAR

(54) Titre : ECARTEURS VERTEBRAUX  
 (54) Title: SPINAL SPACER



(57) **Abrégé/Abstract:**

Spinal spacers (20) are provided for fusion of a motion segment. The spacers include a load bearing member (21) having a wall (22) sized for engagement within a space between adjacent vertebrae to maintain the space and an effective amount of an osteogenic composition (30) to stimulate osteoinduction. The osteogenic composition includes a substantially pure osteogenic factor in a pharmaceutically acceptable carrier. In one embodiment the load bearing member includes a bone graft impregnated in an osteogenic composition. In another embodiment, the osteogenic composition (30) is packed within a chamber (25) defined in the graft. Any suitable configuration of a bone graft is contemplated, including bone dowels, D-shaped spacers and cortical rings.

## Abstract

Spinal spacers (20) are provided for fusion of a motion segment. The spacers include a load bearing member (21) having a wall (22) sized for engagement within a space between adjacent vertebrae to maintain the space and an effective amount of an osteogenic composition (30) to stimulate osteoinduction. The osteogenic composition includes a substantially pure osteogenic factor in a pharmaceutically acceptable carrier. In one embodiment the load bearing member includes a bone graft impregnated in an osteogenic composition. In another embodiment, the osteogenic composition (30) is packed within a chamber (25) defined in the graft. Any suitable configuration of a bone graft is contemplated, including bone dowels, D-shaped spacers and cortical rings.

51344-15D

1

## SPINAL SPACER

This is a Divisional of Canadian Patent  
Application Serial No. 2,269,342 filed October 21, 1997.

## FIELD OF THE INVENTION

The present invention relates to spacers, compositions,  
instruments and methods for arthrodesis. In specific  
5 applications of the invention the spacers include bone  
grafts in synergistic combination with osteogenic  
compositions.

## BACKGROUND OF THE INVENTION

Spinal fusion is indicated to provide stabilization of  
10 the spinal column for painful spinal motion and disorders  
such as structural deformity, traumatic instability,  
degenerative instability, and post-resection iatrogenic  
instability. Fusion, or arthrodesis, is achieved by the  
formation of an osseous bridge between adjacent motion  
15 segments. This can be accomplished within the disc space,  
anteriorly between contiguous vertebral bodies or  
posteriorly between consecutive transverse processes,  
laminae or other posterior aspects of the vertebrae.

An osseous bridge, or fusion mass, is biologically  
20 produced by the body upon skeletal injury. This normal bone  
healing response is used by surgeons to induce fusion across  
abnormal spinal segments by recreating spinal injury  
conditions along the fusion site and then allowing the bone  
to heal. A successful fusion requires the presence of  
25 osteogenic or osteopotential cells, adequate blood supply,  
sufficient inflammatory response, and appropriate  
preparation of local bone. This biological environment is  
typically provided in a surgical setting by decortication,  
or removal of the outer, cortical bone to expose the



-2-

vascular, cancellous bone, and the deposition of an adequate quantity of high quality graft material.

A fusion or arthrodesis procedure is often performed to treat an anomaly involving an intervertebral disc.

5 Intervertebral discs, located between the endplates of adjacent vertebrae, stabilize the spine, distribute forces between vertebrae and cushion vertebral bodies. A normal intervertebral disc includes a semi-gelatinous component, the nucleus pulposus, which is surrounded and confined by an  
10 outer, fibrous ring called the annulus fibrosis. In a healthy, undamaged spine, the annulus fibrosis prevents the nucleus pulposus from protruding outside the disc space.

Spinal discs may be displaced or damaged due to trauma, disease or aging. Disruption of the annulus fibrosis allows  
15 the nucleus pulposus to protrude into the vertebral canal, a condition commonly referred to as a herniated or ruptured disc. The extruded nucleus pulposus may press on the spinal nerve, which may result in nerve damage, pain, numbness, muscle weakness and paralysis. Intervertebral discs may  
20 also deteriorate due to the normal aging process or disease. As a disc dehydrates and hardens, the disc space height will be reduced leading to instability of the spine, decreased mobility and pain.

Sometimes the only relief from the symptoms of these  
25 conditions is a discectomy, or surgical removal of a portion or all of an intervertebral disc followed by fusion of the adjacent vertebrae. The removal of the damaged or unhealthy disc will allow the disc space to collapse. Collapse of the disc space can cause instability of the spine, abnormal  
30 joint mechanics, premature development of arthritis or nerve damage, in addition to severe pain. Pain relief via discectomy and arthrodesis requires preservation of the disc space and eventual fusion of the affected motion segments.

Bone grafts are often used to fill the intervertebral  
35 space to prevent disc space collapse and promote fusion of

-3-

the adjacent vertebrae across the disc space. In early techniques, bone material was simply disposed between the adjacent vertebrae, typically at the posterior aspect of the vertebrae, and the spinal column was stabilized by way of a plate or rod spanning the affected vertebrae. Once fusion occurred the hardware used to maintain the stability of the segment became superfluous and was a permanent foreign body. Moreover, the surgical procedures necessary to implant a rod or plate to stabilize the level during fusion were frequently lengthy and involved.

It was therefore determined that a more optimal solution to the stabilization of an excised disc space is to fuse the vertebrae between their respective end plates, preferably without the need for anterior or posterior plating. There have been an extensive number of attempts to develop an acceptable intra-discal implant that could be used to replace a damaged disc and maintain the stability of the disc interspace between the adjacent vertebrae, at least until complete arthrodesis is achieved. To be successful the implant must provide temporary support and allow bone ingrowth. Success of the discectomy and fusion procedure requires the development of a contiguous growth of bone to create a solid mass because the implant may not withstand the cyclic compressive spinal loads for the life of the patient.

Many attempts to restore the intervertebral disc space after removal of the disc have relied on metal devices. U.S. Patent No. 4,878,915 to Brantigan teaches a solid metal plug. U.S. Patent Nos. 5,044,104; 5,026,373 and 4,961,740 to Ray; 5,015,247 to Michelson and U.S. Patent No. 4,820,305 to Harms et al., U.S. Patent No. 5,147,402 to Bohler et al. and 5,192,327 to Brantigan teach hollow metal cage structures. Unfortunately, due to the stiffness of the material, some metal implants may stress shield the bone graft, increasing the time required for fusion or causing



-4-

the bone graft to resorb inside the cage. Subsidence, or sinking of the device into bone, may also occur when metal implants are implanted between vertebrae if fusion is delayed. Metal devices are also foreign bodies which can never be fully incorporated into the fusion mass.

Various bone grafts and bone graft substitutes have also been used to promote osteogenesis and to avoid the disadvantages of metal implants. Autograft is often preferred because it is osteoinductive. Both allograft and autograft are biological materials which are replaced over time with the patient's own bone, via the process of creeping substitution. Over time a bone graft virtually disappears unlike a metal implant which persists long after its useful life. Stress shielding is avoided because bone grafts have a similar modulus of elasticity as the surrounding bone. Commonly used implant materials have stiffness values far in excess of both cortical and cancellous bone. Titanium alloy has a stiffness value of 114 Gpa and 316L stainless steel has a stiffness of 193 Gpa. Cortical bone, on the other hand, has a stiffness value of about 17 Gpa. Moreover, bone as an implant also allows excellent postoperative imaging because it does not cause scattering like metallic implants on CT or MRI imaging.

Various implants have been constructed from bone or graft substitute materials to fill the intervertebral space after the removal of the disc. For example, the Cloward dowel is a circular graft made by drilling an allogenic or autogenic plug from the ilium. Cloward dowels are bicortical, having porous cancellous bone between two cortical surfaces. Such dowels have relatively poor biomechanical properties, in particular a low compressive strength. Therefore, the Cloward dowel is not suitable as an intervertebral spacer without internal fixation due to the risk of collapsing prior to fusion under the intense

-5-

cyclic loads of the spine.

Bone dowels having greater biomechanical properties have been produced and marketed by the University of Florida Tissue Bank, Inc., 1 Progress Boulevard, P.O. Box 31, S. Wing, Alachua, Florida 32615. Unicortical dowels from  
5 allogenic femoral or tibial condyles are available. The University of Florida has also developed a diaphysial cortical dowel having superior mechanical properties. This dowel also provides the further advantage of having a  
10 naturally preformed cavity formed by the existing medullary canal of the donor long bone. The cavity can be packed with osteogenic materials such as bone or bioceramic.

Unfortunately, the use of bone grafts presents several disadvantages. Autograft is available in only limited  
15 quantities. The additional surgery also increases the risk of infection and blood loss and may reduce structural integrity at the donor site. Furthermore, some patients complain that the graft harvesting surgery causes more short-term and long-term pain than the fusion surgery.

20 Allograft material, which is obtained from donors of the same species, is more readily obtained. However, allogenic bone does not have the osteoinductive potential of autogenous bone and therefore may provide only temporary support. The slow rate of fusion using allografted bone can  
25 lead to collapse of the disc space before fusion is accomplished.

Both allograft and autograft present additional difficulties. Graft alone may not provide the stability required to withstand spinal loads. Internal fixation can  
30 address this problem but presents its own disadvantages such as the need for more complex surgery as well as the disadvantages of metal fixation devices. Also, the surgeon is often required to repeatedly trim the graft material to obtain the correct size to fill and stabilize the disc  
35 space. This trial and error approach increases the length



of time required for surgery. Furthermore, the graft material usually has a smooth surface which does not provide a good friction fit between the adjacent vertebrae. Slippage of the graft may cause neural and vascular injury, as well as collapse of the disc space. Even where slippage does not occur, micromotion at the graft/fusion-site interface may disrupt the healing process that is required for fusion.

U.S. Patent No. 4,950,296 to McIntyre discloses a bone grafting unit which comprises a cortical shell having a selected outer shape and size for transplanting and a cavity formed therein into which a cancellous plug is fitted.

Several attempts have been made to develop a bone graft substitute which avoids the disadvantages of metal implants and bone grafts while capturing advantages of both. For example Unilab, Inc. markets various spinal implants composed of hydroxyapatite and bovine collagen. In each case developing an implant having the biomechanical properties of metal and the biological properties of bone without the disadvantages of either has been extremely difficult or impossible.

A need has remained for fusion spacers which stimulate bone ingrowth and avoid the disadvantages of metal implants yet provide sufficient strength to support the vertebral column until the adjacent vertebrae are fused.



-7-

## SUMMARY OF THE INVENTION

In accordance with one aspect of the invention, spinal spacers and compositions are provided for fusion of a motion segment. The spacers include a load bearing member sized  
5 for engagement within a space between adjacent vertebrae to maintain the space and an effective amount of an osteogenic composition to stimulate osteoinduction. The osteogenic composition includes a substantially pure osteogenic factor in a pharmaceutically acceptable carrier. In one embodiment  
10 the load bearing member includes a bone graft impregnated with an osteogenic composition. In another embodiment, the osteogenic composition is packed within a chamber defined in the graft. The grafts include bone dowels, D-shaped spacers and cortical rings.

15 One object of the invention is to provide spacers for engagement between vertebrae which encourages bone ingrowth and avoids stress shielding. Another object of the invention is to provide a spacer which restores the intervertebral disc space and supports the vertebral column  
20 while promoting bone ingrowth.

One benefit of the spacers of the present invention is that they combine the advantages of bone grafts with the advantages of metals, without the corresponding disadvantages. An additional benefit is that the invention  
25 provides a stable scaffold for bone ingrowth before fusion occurs. Still another benefit of this invention is that it allows the use of bone grafts without the need for metal cages or internal fixation, due to the increased speed of fusion. Other objects and further benefits of the present  
30 invention will become apparent to persons of ordinary skill in the art from the following written description and accompanying Figures.

-1344-15

7a

According to one aspect of the present invention, there is provided a spinal spacer comprising a load bearing member of bone having a wall sized for engagement within a space between adjacent vertebrae to maintain the space, said  
5 bone being impregnated with an effective amount of an osteogenic composition to stimulate osteoinduction, said osteogenic composition including a substantially purified osteogenic factor introduced into a pharmaceutically acceptable carrier.

10 According to another aspect of the present invention, there is provided a spinal spacer comprising a load bearing member having a wall sized for engagement within a space between adjacent vertebrae to maintain the space, said load bearing member defining a chamber and  
15 including a bone graft obtained from the diaphysis of a long bone having a medullary canal, said chamber including a portion of the canal, and an effective amount of an osteogenic composition to stimulate osteoinduction, said composition including a substantially purified osteogenic  
20 factor introduced into a pharmaceutically acceptable matrix and packed within said chamber.

According to still another aspect of the present invention, there is provided a spinal spacer comprising a load bearing member of bone having a wall sized for  
25 engagement within a space between adjacent vertebrae to maintain the space, said bone being impregnated with an effective amount of a first osteogenic composition to stimulate osteoinduction, said first osteogenic composition including a substantially pure osteogenic factor in a  
30 pharmaceutically acceptable carrier, the spacer further comprising an effective amount of a second osteogenic composition to stimulate osteoinduction other than said first osteogenic composition, said second composition packed



C1344-15

7b

within said chamber and having a length which is greater than a length of said chamber, said second composition disposed within said chamber to contact the endplates of adjacent vertebrae when the graft is implanted between the  
5 vertebrae.

According to yet another aspect of the present invention, there is provided a spinal spacer comprising a load bearing member having a wall sized for engagement within a space between adjacent vertebrae to maintain the  
10 space, said load bearing member defining a chamber and including a bone graft obtained from the diaphysis of a long bone having a medullary canal, said chamber including a portion of the canal, and an effective amount of an osteogenic composition to stimulate osteoinduction, said  
15 composition including a substantially pure osteogenic factor in a pharmaceutically acceptable matrix and packed within said chamber, said composition further having a length which is greater than a length of said chamber, said composition disposed within said chamber to contact the endplates of  
20 adjacent vertebrae when the spacer is implanted between the vertebrae.

According to a further aspect of the present invention, there is provided a spinal spacer comprising a load bearing member of bone having a wall sized for  
25 engagement within a space between adjacent vertebrae to maintain the space, said bone having a porous structure impregnated with an osteogenic composition wherein the pores contain an effective amount of the osteogenic composition to stimulate osteoinduction, said osteogenic composition  
30 including a substantially pure osteogenic factor in a pharmaceutically acceptable carrier.

51344-15D

7c

According to yet a further aspect of the present invention, there is provided a spinal spacer for engagement between vertebrae, comprising: an anterior wall having a convexly curved anterior surface and opposite ends; a  
5 posterior wall having a flat posterior surface and opposite ends; two lateral walls, each integrally connected between said opposite ends of said anterior and posterior walls to define a chamber; and said walls comprised of bone and further defining; a superior face defining a first opening,  
10 said opening in communication with said chamber, said superior face having a superior engaging surface; and an opposite inferior face defining a second opening, said second opening in communication with said chamber, said inferior face having an inferior engaging surface.



-8-

## BRIEF DESCRIPTION OF THE DRAWINGS

FIG. 1 is a top perspective view of a bone dowel according to this invention.

5 FIG. 2 shows bilateral dowel placement between L5 and the sacrum.

FIG. 3 is a perspective view of a cortical dowel having a chamber.

FIG. 4 is a side perspective view of a dowel according to this invention.

10 FIG. 5 is a cross-section of another dowel of this invention.

FIG. 6 is a side elevational view of the dowel shown in FIG. 5.

15 FIG. 7 is a side elevational view of another dowel provided by this invention.

FIG. 8 is a detail of the threads of the dowel shown in FIG. 7.

FIG. 9 is an insertion device for inserting the spacers of this invention.

20 FIG. 10A is a side perspective view of the dilation of a disc space.

FIG. 10B is a side elevational view of the dilation of a disc space.

25 FIG. 11A shows the seating of a single barrel outer sleeve.

FIG. 11B is a side elevational view showing the outer sleeve in place.

FIG. 12 shows the seating of a double barrel outer sleeve.

30 FIG. 13 shows the seating of the outer sleeve.

FIG. 14 shows the reaming of the disc space.

FIG. 15 depicts the reamer used in FIG. 14.

FIG. 16 shows the tapping of the disc space.

-9-

FIG. 17 shows the tap used in FIG. 16.

FIG. 18 shows an inserter engaged to a dowel.

FIG. 19 shows the inserter of FIG. 18 within a sleeve.

FIG. 20 depicts insertion of a dowel.

5 FIG. 21 is a side perspective view of a dural retractor.

FIG. 22 is a side elevational view of a guide protector.

FIG. 23 shows the insertion of the guide protector shown in FIG. 22.

10 FIG. 24 is a partial cross-section of a spine showing bilateral placement of two dowels.

FIG. 25 is a partial cross-section of a spine with a cortical ring implanted.

FIG. 26 is a cortical ring packed with an osteogenic material.

15 FIG. 27 is yet another cortical ring embodiment provided by this invention.

FIG. 28 is another embodiment of a cortical ring provided by this invention.

FIG. 29 is a D-shaped spacer of this invention.

20 FIG. 30 is a front perspective view of the spacer of Figure 29.

FIG. 31 is a front elevational view of the spacer depicted in Figure 29.

25 FIG. 32 is a top perspective view of the spacer of FIG. 29 showing the chamber packed with a collagen sponge.

FIG. 33 is a top elevational view of a collagen sponge.

FIG. 34 is an implant insertion device.

FIG. 35 is a D-spaced spacer of this invention having a tool engaging hole.

30 FIG. 36 is a front elevational view of the spacer FIG. 35.

FIG. 37 depicts a side elevational view of an implanting tool.

35 FIG. 38 is top elevational view of another embodiment of the spacer.



-10-

FIG. 39 is a top elevational view of another embodiment of the spacer.

FIG. 40 is a top perspective view of another embodiment of the spacers of this invention having teeth.

5 FIG. 41 is a top elevational view of another embodiment of the spacer having blades.

FIG. 42 is a front elevational view of the spacer of FIG. 41.

10 FIG. 43 is a side elevational view of an autograft crock dowel.

FIG. 44 is a side elevational view of an autograft tricortical dowel.

FIG. 45 is a side elevational view of an autograft button dowel.

15 FIG. 46 is a side elevational view of a hybrid autograft button/allograft crock dowel.

FIG. 47 is a perspective view of a threaded cortical threaded diaphysial dowel having an osteogenic composition packed in the chamber.

20 FIG. 48 is a side perspective view of a dowel with an osteogenic composition packed within the chamber.

FIG. 49 is a side perspective view of a dowel with a ceramic carrier packed within the chamber.

25 FIG. 50 is a side perspective view of an axial test fixture for testing dowels of this invention.

FIG. 51 is a front cross-sectional view of the fixture of FIG. 50.

FIG. 52 is a side cross-sectional view of the fixture of FIGS. 50 and 51.

30 FIG. 53 compares the compressive strength of a threaded cortical dowel to in vivo spinal loads.

FIG. 54 compares the compressive strength of the load bearing members of this invention to other known graft materials.

-11-

FIG. 55 compares the compressive strength of the a load bearing member of this invention to fusion cages.

FIG. 56 compares the fatigue loading values for various spinal implants in axial compression.

5 FIG. 57 is a side elevational view of a multi-axial loading test fixture.

FIG. 58 is a front elevational view of the fixture shown in FIG. 57.

10 FIG. 59 compares insertion torque values for threaded cortical dowels and other threaded fusion spacers.



-12-

## DESCRIPTION OF THE PREFERRED EMBODIMENT

For the purposes of promoting an understanding of the principles of the invention, reference will now be made to the embodiments illustrated in the drawings and specific language will be used to describe the same. It will nevertheless be understood that no limitation of the scope of the invention is thereby intended, such alterations and further modifications in the illustrated spacers, and such further applications of the principles of the invention as illustrated therein being contemplated as would normally occur to one skilled in the art to which the invention relates.

The present invention provides bone grafts in synergistic combination with an osteogenic material, such as a bone morphogenic protein (BMP). The combination of BMP with a bone graft provides the advantages of a bone graft while enhancing bone growth into and incorporation of the graft, resulting in fusion quicker than with graft alone. The quicker fusion rates provided by this invention compensate for the less desirable biomechanical properties of graft and makes the use of internal fixation and metal interbody fusion devices unnecessary. The spacers of this invention are not required to support the cyclic loads of the spine for very long because of the quick fusion rates which reduce the biomechanical demands on the spacer. Therefore this invention capitalizes on the advantages of graft while avoiding the disadvantages.

The spinal spacers of this invention include a load bearing member sized for engagement within a space between adjacent vertebrae to maintain the space. The load bearing member is a bone graft in synergistic combination with an osteogenic material. The bone graft is any suitable bone material, preferably of human origin, including tibial,

-13-

fibial, humeral, iliac, etc. The load bearing members of this invention include flat D-shaped spacers, bone dowels, cortical rings and any suitably shaped load bearing member composed of bone. A preferred load bearing member is  
5 obtained from the diaphysis of a long bone having a medullary canal which forms a natural chamber in the graft.

This invention provides the further advantage of exploiting the discovery that bone is an excellent carrier for osteogenic factors such as bone morphogenic proteins.

10 Hydroxyapatite which is very similar in chemical composition to the mineral in cortical bone is an osteogenic factor-binding agent which controls the rate of delivery of certain proteins to the fusion site. Calcium phosphate compositions such as hydroxyapatite are thought to bind bone  
15 morphogenic proteins and prevent BMP from prematurely dissipating from the spacer before fusion can occur. It is further believed that retention of the BMP by the agent permits the protein to initiate the transformation of mesenchymal stem cells into bone producing cells  
20 (osteoblasts) within the device at a rate that is conducive to complete and rapid bone formation and ultimately, fusion across the disc space. The spacers of this invention have the advantage of including a load bearing member composed of bone which naturally binds and provides controlled delivery  
25 of osteogenic factors such as bone morphogenic proteins.

This invention also capitalizes on the discovery that cortical bone, like metal, can be conveniently machined into the various shapes disclosed herein. In some embodiments, the load bearing members define threads on an outer  
30 surface. Machined surfaces, such as threads, provide several advantages that were previously only available with metal implants. Threads allow better control of spacer insertion than can be obtained with a smooth surface. This allows the surgeon to more accurately position the spacer  
35 which is extremely important around the critical



neurological and vascular structures of the spinal column. Threads and the like also provide increased surface area which facilitates the process of bone healing and creeping substitution for replacement of the donor bone material and fusion. These features also increase post-operative stability of the spacer by engaging the adjacent vertebral endplates and anchoring the spacer to prevent expulsion. This is a major advantage over smooth grafts. Surface features also stabilize the bone-spacer interface and reduce micromotion to facilitate incorporation and fusion.

In one specific embodiment depicted in FIG. 1, the load bearing member of the spacer 10 is a bone dowel soaked with an effective amount of an osteogenic composition to stimulate osteoinduction. Preferably, the osteogenic composition includes a substantially pure osteogenic factor in a pharmaceutically acceptable carrier. The dowel 10 includes a wall sized for engagement within the intervertebral space IVS to maintain the space IVS. The wall defines an outer engaging surface for contacting the adjacent vertebrae. The wall is preferably cylindrically so that the bone dowel 10 has a diameter  $d$  which is larger than the height  $h$  of the space IVS between adjacent vertebrae  $V$  or the height of the space between the lowest lumbar vertebrae  $L5$  and the sacrum  $S$  as depicted in FIG. 2.

In another embodiment 20 depicted in FIG. 3, the load bearing member is a bone dowel 21 which includes a wall 22 having an engagement surface 23. The wall 22 defines a chamber 25 therethrough. Preferably, the load bearing member is a bone graft obtained from the diaphysis of a long bone having a medullary canal which forms the chamber 25. The chamber 25 is most preferably packed with an osteogenic composition to stimulate osteoinduction. The chamber 25 is preferably defined through a pair of outer engaging surfaces 23 so that the composition has maximum contact with the



-15-

endplates of the adjacent vertebrae. Referring now to FIG. 4, the spacer 21 includes a solid protective wall 26 which is positionable to protect the spinal cord from escape or leakage of the osteogenic composition 30 within the chamber 25. In anterior approaches, the protective wall 26 is posterior. Preferably, the osteogenic composition 30 has a length which is greater than the length of the chamber (FIGS. 5 and 6) and the composition 30 is disposed within the chamber 25 to contact the end plates of adjacent vertebrae when the spacer 20' is implanted between the vertebrae. This provides better contact of the composition with the end plates to stimulate osteoinduction.

Various features can be machined on the outer surfaces of the dowels of this invention. In one embodiment shown in FIG. 7, the dowel 40 includes an outer engaging surface 41 defining threads 42. The initial or starter thread 47 is adjacent the protective wall 26'. As shown more clearly in FIG. 8, the threads are preferably uniformly machined threads which include teeth 43 having a crest 44 between a leading flank 45 and an opposite trailing flank 46. Preferably the crest 44 of each tooth 43 is flat. In one specific embodiment, the crest 44 of each tooth 43 has a width  $w$  of between about 0.020 inches and about 0.030 inches. The threads 42 preferably define an angle  $\alpha$  between the leading flank 45 and the trailing flank 46 of adjacent ones of said teeth 43. The angle  $\alpha$  is preferably between about 50 degrees and 70 degrees. Each tooth 43 preferably has a height  $h'$  which is about 0.030 inches and about 0.045 inches.

Referring again to FIG. 7, in some embodiments, the dowel 40 is provided with a tool engaging hole 49 in a wall 48 opposite the solid protective wall 26'. The tool engaging hole 49 is provided in a surface of the dowel which is adjacent the surgeon and opposite the initial thread 47. For an anterior procedure, the tool engaging tool hole 49

U.344-15

16

would be provided in the anterior surface 48 of the dowel 40. Other machined features are contemplated in the outer or bone engaging surfaces 41. Such machine features include surface roughenings such as knurlings and ratchetings.

5           In a most preferred embodiment, the tool engaging hole 49 is threaded to receive a threaded tip of an implanting tool. The inserter 60 shown in FIG. 9 includes a handle portion 61 and a shaft 62 extends from the handle 61. The distal end 63 of the shaft 62 includes a tip 65 which  
10 mates with the tool engaging hole 49. Preferably the tip 65 and the tool engaging hole 49 have corresponding mating threads 66, 49A. The inserter 60 preferably includes a T-handle for spacer control and positioning. The shaft 62 of the inserter 60 also includes a depth stop 64. Preferably  
15 the inserter 60 includes means for rotating the threaded tip 65. Knob 68 is engaged to the tip 65 through an intershaft extending through an internal bore (not shown) in the handle 61 and in the shaft 62. The tip 65 is preferably at the end of the intershaft with the intershaft rotatably mounted  
20 within the handle 61 and the shaft 62.

The spacers of this invention can be inserted using conventional techniques. In accordance with additional aspects of the present invention, methods for implanting an interbody fusion spacer, such as the spacer  
25 40, are contemplated. As a preliminary step, it is necessary to locate appropriate starting points for implanting the fusion spacer, preferably bilaterally. In the first step of an anterior approach, a distractor 75 is disposed between the vertebral end plates E to dilate the  
30 L4-L5 or L5-S1 disc space (FIGS. 10A and 10B). (It is understood, of course, that this procedure can be applied at other vertebral levels.) In the second step, shown in FIG. 11A, an outer sleeve 76 is disposed about the



-17-

disc space IVS. The outer sleeve 76 can be configured to positively engage the anterior aspect of the vertebral bodies to firmly, but temporarily, anchor the outer sleeve 76 in position. In essence, this outer sleeve 76 operates  
5 as a working channel for this approach. In a preferred embodiment, a single barrel outer sleeve 76a is first inserted (FIG. 11B) followed by a double barrel outer sleeve 76b, (FIG. 12), finally followed by the outer sleeve 76 (FIG. 13). One purpose of this tripartite sleeve system is  
10 to provide an enlarged working channel for preparing the vertebrae and implanting the fusion spacer. In the step shown in FIG. 14, a drill or reamer 77 (FIG. 15) is extended through the outer sleeve 76 and used to drill out circular openings in the adjacent vertebral bodies. The openings can  
15 be tapped (FIG. 16) with a tap 78 (FIG. 17) to facilitate screw insertion of the fusion spacer 10, although this step is not necessary.

The fusion spacer 40 is then engaged by an implant driver 60, 60' (FIGS. 18 & 19) and extended through the  
20 outer sleeve 76 as shown in FIG. 13. The spacer is then inserted into the disc space IVS until the initial thread 47 contacts the bone opening as shown in FIG. 20. The implant driver 60 can then be used to screw thread the fusion spacer into the tapped or untapped opening formed in the vertebral  
25 and end plate E. Once the dowel 40 is properly positioned, the knob 68 of the tool 60 can be turned to rotate the threaded tip 65 and disengage the tip 65 from the hole 49 of the dowel 40. The inserter 60 and the sleeve 76 can be  
30 withdrawn from the surgical site leaving the dowel 40 in place. It is understood that in this step, other suitable driving tools could be used. It can be seen that once implanted, the closed posterior end 26 is directed toward the posterior aspect of the vertebrae. The chamber 25 packed with an osteogenic material is positioned so that the



-18-

osteogenic material contacts the end plates.

The spacers of this invention may also be used with posterior approaches. The steps of the posterior approach are similar to those of the prior anterior approach except  
5 that the tools are introduced posteriorly at the instrumented motion segment. This approach may require decortication and removal of vertebral bone to accept the outer sleeve 76. A dural retractor 80 as shown in FIG. 21 may be used to retract and protect the spinal cord and  
10 accessory tissues. The retractor 80 includes a handle 81 which preferably includes a bend 82 to facilitate manipulation of the tool. The dural retractor 80 has an end 83 which is attached to the handle portion 81. The end 83 preferably includes a curve 84 which is configured to safely  
15 cradle the spinal cord.

With the spinal cord safely retracted, a seat guide protector 85 (FIG. 22) can be pounded into position as shown in FIG. 23. The seat guide protector 85 can be similar to the sleeve 76 described above. Various tools, such as  
20 extractors, reamers and taps can be inserted through the seat guide protector similar as described above. The fusion spacer 40 can be inserted through the protector 85 into the dilated disc space.

With either the anterior or posterior approaches, the  
25 position of the fusion spacer 40 with respect to the adjacent vertebrae can be verified by radiograph or other suitable techniques for establishing the angular relationship between the vertebrae. Alternatively, the preferred depth of insertion of the spacer can be determined  
30 in advance and measured from outside the patient as the spacer is positioned between the vertebrae. The depth of insertion of the fusion spacer can be ascertained using depth markings (not shown) on the implant driver 60.

The spacers of this invention can also be inserted using  
35 laproscopic technology as described in Sofamor Danek USA's

-19-

Laposcopic Bone Dowel Surgical Technique, © 1995, 1800 Pyramid Place, Memphis, Tennessee 38132, 1-800-933-2635. Devices of this invention can be conveniently incorporated into Sofamor Danek's laposcopic bone dowel system that facilitates anterior interbody fusions with an approach that is much less surgical morbid than the standard open anterior retroperitoneal approaches. This system includes templates, trephines, dilators, reamers, ports and other devices required for laposcopic dowel insertion.

Bilateral placement of dowels 40 is preferred as shown in FIGS. 2 and 24. This configuration provides a substantial quantity of bone graft available for the fusion. The dual bilateral cortical dowels 40 result in a significant area of cortical bone for load bearing and long-term incorporation via creeping substitution, while giving substantial area for placement of osteogenic autogenous bone and boney bridging across the disc space. Comparing FIG. 24 to FIG. 25, it can be seen that bilateral placement of dowels 40 provides a greater surface area of bone material than a single ring allograft 50 which provides only a single chamber 55 for packing with osteogenic material 30. The dual dowel placement results in two chambers 25 that can be filled with an osteogenic composition. Additionally, osteogenic material 30 such as cancellous bone or BMP in a biodegradable carrier may be packed around the dowels. This provides for the placement of a significant amount of osteogenic material as well as four columns 35, 36, 37, 38 of cortical bone for load bearing.

The load bearing member may also include other grafts such as cortical rings as shown in FIG. 26. Such cortical rings 50 are obtained by a cross-sectional slice of the diaphysis of a long bone and include superior surface 51 and inferior surface 52. The graft shown in FIG. 26 includes an outer surface 53 which is adjacent and between the superior



-20-

51 and inferior 52 surfaces. In one embodiment bone growth thru-holes 53a are defined through the outer surface 53 to facilitate fusion. The holes 53a allows mesenchymal stem cells to creep in and BMP protein to diffuse out of the graft. This facilitates bone graft incorporation and possibly accelerates fusion by forming anterior and lateral bone bridging outside and through the device. In another embodiment the outer surface 53 defines a tool engaging hole 54 for receiving an implanting tool. In a preferred embodiment, at least one of the superior and/or inferior surfaces 51,52 are roughened for gripping the end plates of the adjacent vertebrae. The surface roughenings may include teeth 56 on ring 50' as shown in FIG. 27 or waffle pattern 57; as shown on ring 50" in FIG. 28. When cortical rings are used as the graft material the ring 50 may be trimmed for a more uniform geometry as shown in FIG. 26 or left in place as shown in FIG. 28.

In another specific embodiment, spacers are provided for engagement between vertebrae as depicted in FIGS. 29-31. Spacers of this invention can be conveniently incorporated into current surgical procedures such as, the Smith-Robinson technique for cervical fusion (Smith, M.D., G.W. and R.A. Robinson, M.D., "The Treatment of Certain Cervical-Spine Disorders By Anterior Removal Of The Intervertebral Disc And Interbody Fusion", J. Bone And Joint Surgery, 40-A:607-624 (1958) and Cloward, M.D., R.B., "The Anterior Approach For Removal Of Ruptured Cervical Disks", in meeting of the Harvey Cushing Society, Washington, D.C., April 22, 1958). In such procedures, the surgeon prepares the endplates of the adjacent vertebral bodies to accept a graft after the disc has been removed. The endplates are generally prepared to be parallel surfaces with a high speed burr. The surgeon then typically sculpts the graft to fit tightly between the bone surfaces so that the graft is held by compression



-21-

between the vertebral bodies. The bone graft is intended to provide structural support and promote bone ingrowth to achieve a solid fusion of the affected joint. The spacers of this invention avoid the need for this graft sculpting as spacers of known size and dimensions are provided. This invention also avoids the need for a donor surgery because the osteoinductive properties of autograft are not required. The spacers can be combined with osteoinductive materials that make allograft osteoinductive. Therefore, the spacers of this invention speed the patient's recovery by reducing surgical time, avoiding a painful donor surgery and inducing quicker fusion.

The spacer 110 includes an anterior wall 111 having opposite ends 112, 113, a posterior wall 115 having opposite ends 116, 117 and two lateral walls 120, 121. Each of the lateral walls 120, 121 is connected between the opposite ends 112, 113, 116, 117 of the anterior 111 and posterior 115 walls to define a chamber 130. The walls are each composed of bone and also include the superior face 135 which defines a first opening 136 in communication with the chamber 130. The superior face 135 includes a first friction or vertebral engaging surface 137. As shown in FIG. 31, the walls further include an opposite inferior face 138 defining a second opening 139 which is in communication with the chamber 130. The chamber 130 is preferably sized to receive an osteogenic composition to facilitate bone growth. The inferior face 138 includes a second friction or second vertebral engaging surface (not shown) which is similar to or identical to the first friction or vertebral engaging surface 137.

In one specific embodiment for an intervertebral disc replacement spacer, a hollow D-shaped spinal spacer is provided. The anterior wall 111 as shown in FIGS. 29-31 is convexly curved. This anterior curvature is preferred to conform to the geometry of the adjacent vertebral bone and

-22-

specifically to the harder cortical bone of the vertebrae. The D-shape of the spacer 110 also prevents projection of the anterior wall 111 outside the anterior aspect of the disc space, which can be particularly important for spacers  
5 implanted in the cervical spine.

In one specific embodiment shown in FIGS. 32 and 33, the D-shaped spacer 110 includes a collagen sponge 148 having a width  $w$  and length  $l$  which are each slightly greater than the width  $W$  and length  $L$  of the chamber. In a preferred  
10 embodiment, the sponge 148 is soaked with freeze dried rhBMP-2 reconstituted in buffered physiological saline and then compressed into the chamber 130. The sponge 148 is held within the chamber 130 by the compressive forces provided by the sponge 148 against the walls 111, 115, 120,  
15 121 of the spacer 110.

The spacers are shaped advantageously for cervical arthrodesis. The flat posterior and lateral walls 115, 120 and 121, as shown in FIG. 29, can be easily incorporated into Smith Robinson surgical fusion technique. After  
20 partial or total discectomy and distraction of the vertebral space, the surgeon prepares the end plates for the spacer 110 preferably to create flat posterior and lateral edges. The spacer 110 fits snugly with its flat surfaces against the posterior and lateral edges which prevents medial and  
25 lateral motion of the spacer 110 into vertebral arteries and nerves. This also advantageously reduces the time required for the surgery by eliminating the trial and error approach to achieving a good fit with bone grafts because the spacers can be provided in predetermined sizes.

Devices such as the spacer 110 or dowel 40, which are  
30 not provided with an insertion tool hole, can be inserted into the fusion site during an open or percutaneous surgery using an insertion device such as the one depicted in FIG. 34. The inserter 150 includes a handle 151 with knurlings  
35 or other suitable patterns to enhance manual gripping of the



-23-

handle. A shaft 152 extends from the handle 151 and is generally divided into two portions: a solid portion 153 and a split jaw portion 154. The split jaw portion 154 is at the distal end of the shaft 152 opposite the handle 151.

5 In the preferred embodiment, the split jaw portion 154 includes two jaws 156 each having an offset gripping surface 158 at their free ends. As depicted in FIG. 34 the split jaw portions 154 are movable from a fully opened position as represented by the fully separated position of the gripping surfaces 158. The split jaw portion 154 is closeable to a fully closed position in which the two jaws 156 are in contact with one another. In the fully closed position, the gripping surfaces, identified as 158' in FIG. 34, are separated by a distance sufficiently close to grip a hollow spacer 110 therebetween. In particular, the closed gripping surfaces 158' contact the side surfaces of the two lateral walls 120, 121 of the spacer 110. In one preferred embodiment, the gripping surfaces 158 are roughened or knurled to enhance the grip on the spacer 110.

10  
15  
20 The inserter 150 further includes a sleeve 160 that is concentrically disposed around shaft 152. Preferably the sleeve 160 defines an inner bore 161 with a first portion 162 having a diameter slightly greater than the diameter of shaft 152. The internal bore 161 includes a flared portion 163 at its distal end 164. In the preferred embodiment, when the jaws 156 of the split jaw portion 154 are in their fully opened position, the jaws contact the flared portion 63 of the bore 161.

25  
30  
35 In the use of the inserter 150, the sleeve 160 is slid along the shaft 152, and more particularly along the opened jaws 156, to push the jaws together. As the jaws are pushed together, the gripping surfaces 158 engage and firmly grip a spacer 110 as described above. This inserter can then be extended percutaneously into the surgical site to implant a spacer 110 in the intra-discal space. Once the spacer is



C1344-15

24

properly positioned, the sleeve 160 can be moved back toward the handle 151, so that the natural resilience of the two jaws 156 cause them to spread apart, thereby releasing the spacer 110. The inserter 150 can then be withdrawn from the surgical site with the jaws fully opened, or the sleeve can be advanced along the shaft once the gripping surfaces 158 have cleared the spacer 110.

Alternatively, the spacers of this invention may be provided with a tool engaging hole for insertion such as the tool depicted in FIG. 9. According to another specific embodiment depicted in FIGS. 35 and 36, the spacer 170 includes an anterior wall 171 defining a tool engaging hole 174. In a most preferred embodiment, the tool engaging hole 174 is threaded for receiving a threaded implanting tool such as depicted in FIG. 37. The inserter 220 includes a handle portion 221 with knurlings or other suitable patterns to enhance manual gripping of the handle. A shaft 222 extends from the handle 221. The distal end 223 of the shaft 222 includes a tip 225 which mates with the tool engaging hole 174. Preferably the tip 225 and tool engaging hole 174 have corresponding mating threads 226, 178. Where the tool engaging hole 174 is defined in a curved wall as shown in FIG. 35, the distal end 223 of the shaft 222 preferably includes a curved portion 224 that conforms to the curved anterior surface of the spacer. The inserter 220 also preferably includes a T-handle 228 for spacer control and positioning. Preferably the inserter 120 includes means for rotating the threaded tip 225. In FIG. 37, the knob 230

-25-

is engaged to the tip 225 via an inner shaft extending through an internal bore (not shown) in the handle 221 and shaft 222. The tip 225 is preferably at the end of the inner shaft with the inner shaft rotatably mounted within the handle 221 and shaft 222.

In the use of the inserter 220, a spacer 170 is engaged to the threaded tip 225 with the curved portion 224 flush with the anterior wall 171. The inserter and spacer can then be extended percutaneously into the surgical site to implant the spacer in the intra-discal space. Once the spacer 170 is properly positioned, the knob 230 can be turned to rotate the threaded tip 225 and disengage the tip from the hole 174 of the spacer 110. The inserter 220 can then be withdrawn from the surgical site leaving the spacer 170 in place.

In preferred embodiments, the engaging surfaces of the spacers are machined to facilitate engagement with the endplates of the vertebrae and prevent slippage of the spacer as is sometimes seen with smooth graft prepared at the time of surgery. The spacer 180 may be provided with a roughened surface 181 on one of the engaging surfaces 187 of one or both of the superior face 185 or inferior face (not shown) as shown in FIG. 38. The roughened surface 191 of the spacer 190 may include a waffle or other suitable pattern as depicted in FIG. 39. In one preferred embodiment shown in FIG. 40, the engaging surfaces 201 include teeth 205 which provide biting engagement with the endplates of the vertebrae. In another embodiment (FIGS. 41 and 42), the spacer 210 includes engaging surfaces 211 machined to include one or more blades 212. Each blade includes a cutting edge 213 configured to pierce a vertebral end-plate. The blade 212 can be driven into the bone surface to increase the initial stability of the spacer.

Any suitable load bearing member which can be synergistically combined with an osteogenic composition is



-26-

contemplated. Other potential load bearing members include allograft crock dowels (FIG. 43), tricortical dowels (FIG. 44), button dowels (FIG. 45) and hybrid allograft button-allograft crock dowels (FIG. 46).

5 An osteogenic material can be applied to the spacers of this invention by packing the chamber 25,130 with an osteogenic material 30,148 as shown in FIGS. 32 and 47, by impregnating the graft with a solution including an osteogenic composition or by both methods combined. The  
10 composition may be applied by the surgeon during surgery or the spacer may be supplied with the composition preapplied. In such cases, the osteogenic composition may be stabilized for transport and storage such as by freeze-drying. The stabilized composition can be rehydrated and/or reactivated  
15 with a sterile fluid such as saline or water or with body fluids applied before or after implantation. Any suitable osteogenic material or composition is contemplated, including autograft, allograft, xenograft, demineralized bone, synthetic and natural bone graft substitutes, such as  
20 bioceramics and polymers, and osteoinductive factors. The term osteogenic composition used here means virtually any material that promotes bone growth or healing including natural, synthetic and recombinant proteins, hormones and the like.

25 Autograft can be harvested from locations such as the iliac crest using drills, gouges, curettes and trephines and other tools and methods which are well known to surgeons in this field. Preferably, autograft is harvested from the iliac crest with a minimally invasive donor surgery. The  
30 graft may include osteocytes or other bone reamed away by the surgeon while preparing the end plates for the spacer.

Advantageously, where autograft is chosen as the osteogenic material, only a very small amount of bone material is needed to pack the chamber 130. The autograft  
35 itself is not required to provide structural support as this

-27-

is provided by the spacer 110. The donor surgery for such a small amount of bone is less invasive and better tolerated by the patient. There is usually little need for muscle dissection in obtaining such small amounts of bone. The present invention therefore eliminates many of the disadvantages of autograft.

The osteogenic compositions used in this invention preferably comprise a therapeutically effective amount of a substantially pure bone inductive factor such as a bone morphogenetic protein in a pharmaceutically acceptable carrier. The preferred osteoinductive factors are the recombinant human bone morphogenetic proteins (rhBMPs) because they are available in unlimited supply and do not transmit infectious diseases. Most preferably, the bone morphogenetic protein is a rhBMP-2, rhBMP-4 or heterodimers thereof. The concentration of rhBMP-2 is generally between about 0.4 mg/ml to about 1.5 mg/ml, preferably near 1.5 mg/ml. However, any bone morphogenetic protein is contemplated including bone morphogenetic proteins designated as BMP-1 through BMP-13. BMPs are available from Genetics Institute, Inc., Cambridge, Massachusetts and may also be prepared by one skilled in the art as described in U.S. Patent Nos. 5,187,076 to Wozney et al.; 5,366,875 to Wozney et al.; 4,877,864 to Wang et al.; 5,108,922 to Wang et al.; 5,116,738 to Wang et al.; 5,013,649 to Wang et al.; 5,106,748 to Wozney et al.; and PCT Patent Nos. WO93/00432 to Wozney et al.; WO94/26893 to Celeste et al.; and WO94/26892 to Celeste et al. All osteoinductive factors are contemplated whether obtained as above or isolated from bone. Methods for isolating bone morphogenetic protein from bone are described in U.S. Patent No. 4,294,753 to Urist and Urist et al., 81 PNAS 371, 1984.

The choice of carrier material for the osteogenic composition is based on biocompatibility, biodegradability, mechanical properties and interface properties as well as the structure of the load bearing member. The particular



-28-

application of the compositions of the invention will define the appropriate formulation. Potential carriers include calcium sulphates, polylactic acids, polyanhydrides, collagen, calcium phosphates, polymeric acrylic esters and demineralized bone. The carrier may be any suitable carrier capable of delivering the proteins. Most preferably, the carrier is capable of being eventually resorbed into the body. One preferred carrier is an absorbable collagen sponge marketed by Integra LifeSciences Corporation under the trade name Helistat® Absorbable Collagen Hemostatic Agent. Another preferred carrier is an open cell polylactic acid polymer (OPLA). Other potential matrices for the compositions may be biodegradable and chemically defined calcium sulfates, calcium phosphates such as tricalcium phosphate (TCP) and hydroxyapatite (HA) and including injectable bicalcium phosphates (BCP), and polyanhydrides. Other potential materials are biodegradable and biologically derived, such as bone or dermal collagen. Further matrices are comprised of pure proteins or extracellular matrix components. The osteoinductive material may also be an admixture of BMP and a polymeric acrylic ester carrier, such as polymethylmethacrylic.

For packing the chambers of the spacers of the present invention, the carriers are preferably provided as a sponge 58,30 which can be compressed into the chamber 55 (FIG. 25) or 25 (FIG. 47) or as strips or sheets which may be folded to conform to the chamber as shown in FIG. 48. Preferably, the carrier has a width and length which are each slightly greater than the width and length of the chamber. In the most preferred embodiments, the carrier is soaked with a rhBMP-2 solution and then compressed into the chamber. As shown in FIG. 47, the sponge 30 is held within the chamber 25 by the compressive forces provided by the sponge 30 against the wall 22 of the dowel 21. It may be preferable for the carrier to extend out of the openings of the chamber

-29-

to facilitate contact of the osteogenic composition with the highly vascularized tissue surrounding the fusion site. The carrier can also be provided in several strips sized to fit within the chamber. The strips can be placed one against another to fill the interior. As with the folded sheet, the strips can be arranged within the spacer in several orientations. Preferably, the osteogenic material, whether provided in a sponge, a single folded sheet or in several overlapping strips, has a length corresponding to the length and width of the chamber.

The most preferred carrier is a biphasic calcium phosphate ceramic. FIG. 49 shows a ceramic carrier packed within a dowel 40. Hydroxyapatite/tricalcium phosphate ceramics are preferred because of their desirable bioactive properties and degradation rates in vivo. The preferred ratio of hydroxyapatite to tricalcium phosphate is between about 0:100 and about 65:35. Any size or shape ceramic carrier which will fit into the chambers defined in the load bearing member are contemplated. Ceramic blocks are commercially available from Sofamor Danek Group, B. P. 4-62180 Rang-du-Fliers, France and Bioland, 132 Route d'Espagne, 31100 Toulouse, France. Of course, rectangular and other suitable shapes are contemplated. The osteoinductive factor is introduced into the carrier in any suitable manner. For example, the carrier may be soaked in a solution containing the factor.

In a preferred embodiment, an osteogenic composition is provided to the pores of the load bearing member. The bone growth inducing composition can be introduced into the pores in any suitable manner. For example, the composition may be injected into the pores of the graft. In other embodiments, the composition is dripped onto the graft or the graft is soaked in a solution containing an effective amount of the composition to stimulate osteoinduction. In either case the pores are exposed to the composition for a period of time



-30-

sufficient to allow the liquid to thoroughly soak the graft. The osteogenic factor, preferably a BMP, may be provided in freeze-dried form and reconstituted in a pharmaceutically acceptable liquid or gel carrier such as sterile water, physiological saline or any other suitable carrier. The carrier may be any suitable medium capable of delivering the proteins to the spacer. Preferably the medium is supplemented with a buffer solution as is known in the art. In one specific embodiment of the invention, rhBMP-2 is suspended or admixed in a carrier, such as water, saline, liquid collagen or injectable BCP. The BMP solution can be dripped into the graft or the graft can be immersed in a suitable quantity of the liquid. In a most preferred embodiment, BMP is applied to the pores of the graft and then lyophilized or freeze-dried. The graft-BMP composition can then be frozen for storage and transport.

Advantageously, the intervertebral spacers of the present invention may not require internal fixation. The spacers are contained by the compressive forces of the surrounding ligaments and muscles, and the disc annulus if it has not been completely removed. Temporary external immobilization and support of the instrumented and adjacent vertebral levels, with a cervical collar, lumbar brace or the like, is generally recommended until adequate fusion is achieved.

Although the spacers and compositions of this invention make the use of metal devices typically unnecessary, the invention may be advantageously combined with such devices. The bone graft-osteogenic compositions of the invention can be implanted within any of the various prior art metal cages.

The following specific examples are provided for purposes of illustrating the invention, and no limitations on the invention are intended thereby.

-31-

## EXPERIMENTAL I: PREPARATION OF DEVICES

EXAMPLE 1

## DIAPHYSIAL CORTICAL BONE DOWEL

5 A consenting donor (i.e., donor card or other form of  
acceptance to serve as a donor) was screened for a wide  
variety of communicable diseases and pathogens, including  
human immunodeficiency virus, cytomegalovirus, hepatitis B,  
hepatitis C and several other pathogens. These tests may be  
conducted by any of a number of means conventional in the  
10 art, including but not limited to ELISA assays, PCR assays,  
or hemagglutination. Such testing follows the requirements  
of: (i) American Association of Tissue Banks, Technical  
Manual for Tissue Banking, Technical Manual -  
Musculoskeletal Tissues, pages M19-M20; (ii) The Food and  
15 Drug Administration, Interim Rule, Federal Register/Vol. 50,  
No. 238/Tuesday, December 14, 1993/Rules and  
Regulations/65517, D. Infectious Disease Testing and Donor  
Screening, (iii) MMWR/Vol. 43/No. RR-8, Guidelines for  
Preventing Transmission of Human Immunodeficiency Virus  
20 Through Transplantation of Human Tissue and Organs, pages  
4-7; (iv) Florida Administrative Weekly, Vol. 10, No. 34,  
August 21, 1992, 59A-1.001-014 59A-1.005(12)(c), F.A.C.,  
(12)(a)-(h), 59A-1.005(15), F.A.C., (4)(a)-(8). In addition  
to a battery of standard biochemical assays, the donor, or  
25 their next of kin, was interviewed to ascertain whether the  
donor engaged in any of a number of high risk behaviors such  
as having multiple sexual partners, suffering from  
hemophilia, engaging in intravenous drug use etc. After the  
donor was ascertained to be acceptable, the bones useful for  
30 obtention of the dowels were recovered and cleaned.

A dowel was obtained as a transverse plug from the  
diaphysis of a long bone using a diamond tipped cutting bit



-32-

which was water cleaned and cooled. The bit was commercially available (Starlite, Inc) and had a generally circular nature and an internal vacant diameter between about 10 mm to about 20 mm. The machine for obtention of endo- and cortical dowels consisted of a pneumatic driven miniature lathe which is fabricated from stainless steel and anodized aluminum. It has a spring loaded carriage which travels parallel to the cutter. The carriage rides on two runners which are 1.0 inch stainless rods and has a travel distance of approximately 8.0 inches. One runner has set pin holes on the running rod which will stop the carriage from moving when the set pin is placed into the desired hole. The carriage is moveable from side to side with a knob which has graduations in metric and in English. This allows the graft to be positioned. On this carriage is a vice which clamps the graft and holds it in place while the dowel is being cut. The vice has a cut out area in the jaws to allow clearance for the cutter. The lathe has a drive system which is a pneumatic motor with a valve controller which allows a desired RPM to be set.

First, the carriage is manually pulled back and locked in place with a set pin. Second, the graft is loaded into the vice and is aligned with the cutter. Third, the machine is started and the RPM is set, by using a knob on the valve control. Fourth, the set pin, which allows the graft to be loaded onto the cutter to cut the dowel. Once the cutter has cut all the way through the graft the carriage will stop on a set pin. Fifth, sterile water is used to eject dowel out of the cutter. It is fully autoclavable and has a stainless steel vice and/or clamping fixture to hold grafts for cutting dowels. The graft can be positioned to within 0.001" of an inch which creates dowel uniformity during the cutting process.

The cutter used in conjunction with the above machine can produce dowels ranging from 5 mm to 30 mm diameters and

-33-

the sizes of the cutters are 10.6 mm; 11.0 mm; 12.0 mm; 13.0 mm; 14.0 mm; 16.0 mm; and 18.0 mm. The composition of the cutters is stainless steel with a diamond powder cutting surface which produces a very smooth surface on the wall of the dowels. In addition, sterile water is used to cool and remove debris from graft and/or dowel as the dowel is being cut (hydro infusion). The water travels down through the center of the cutter to irrigate as well as clean the dowel under pressure. In addition, the water aides in ejecting the dowel from the cutter.

The marrow was then removed from the medullary canal of the dowel and the cavity cleaned to create of chamber. The final machined product may be stored, frozen or freeze-dried and vacuum sealed for later use.

#### EXAMPLE 2

#### THREADED DOWELS

A diaphysial cortical bone dowel is prepared as described above. The plug is then machined, preferably in a class 10 clean room, to the dimensions desired. The machining is preferably conducted on a lathe such as a jeweler's lathe or machining tools may be specifically designed and adapted for this purpose. A hole is then drilled through the anterior wall of the dowel. The hole is then tapped to receive a threaded insertion tool.

#### EXAMPLE 3

#### BONE DOWEL SOAKED WITH rhBMP-2

A threaded dowel is obtained through the methods of Examples 1 and 2.

A vial containing 4.0 mg of lyphilized rhBMP-2 (Genetics Institute) is constituted with 1 mL sterile water (Abbott



-34-

Laboratories) for injection to obtain a 4.0 mg/mL solution as follows:

1. Using a 3-cc syringe and 22G needle, slowly inject 1.0 mL sterile water for injection into the vial containing lyophilized rhBMP-2.
2. Gently swirl the vial until a clear solution is obtained. Do not shake.

The dilution scheme below is followed to obtain the appropriate rhBMP-2 concentration. This dilution provides sufficient volume for two dowels. The dilutions are performed as follows:

1. Using a 5-cc syringe, transfer 4.0 mL of MFR 906 buffer (Genetics Institute) into a sterile vial.
2. Using a 1-cc syringe, transfer 0.70 mL reconstituted rhBMP-2 into the vial containing the buffer.
3. Gently swirl to mix.

#### DILUTION SCHEME

INITIAL rhBMP-2 CONCENTRATION (mg/mL)	rhBMP-2 VOLUME (mL)	MFR-842 VOLUME (mL)	FINAL rhBMP-2 CONCENTRATION (mg/mL)
4.0	0.7	4.0	0.60

1. Using a 3-cc syringe and 22G needle, slowly drip 2.0mL of 0.60 mg/mL rhBMP-2 solution onto the Bone Dowel.
2. Implant immediately.

-35-

EXAMPLE 4

## BONE DOWEL PACKED WITH BMP-2/COLLAGEN COMPOSITION

A threaded dowel is obtained through the methods of Examples 1 and 2.

5 A vial containing 4.0 mg of lyophilized rhBMP-2 (Genetics Institute) is constituted with 1 mL sterile water (Abbott Laboratories) for injection to obtain a 4.0 mg/mL solution as follows:

- 10 1. Using a 3-cc syringe and 22G needle, slowly inject 1.0 mL sterile water for injection into the vial containing lyophilized rhBMP-2.
1. Gently swirl the vial until a clear solution is obtained. Do not shake.

15 The dilution scheme below is followed to obtain the appropriate rhBMP-2 concentration. The dilutions are performed as follows:

1. Using a 3-cc syringe, transfer 2.5 mL of MFR-842 buffer (Genetics Institute) into a sterile vial.
2. Using a 1-cc syringe, transfer 0.30 mL of 4.0 mg/mL reconstituted rhBMP-2 into the vial containing the buffer.
- 20 3. Gently swirl to mix.

## DILUTION SCHEME

INITIAL rhBMP-2 CONCENTRATION (mg/mL)	rhBMP-2 VOLUME (mL)	MFR-842 VOLUME (mL)	FINAL rhBMP-2 CONCENTRATION (mg/mL)
4.0	0.3	2.5	0.43

The rhBMP-2 solution is applied to a Helistat sponge



-36-

(Genetics Institute) as follows:

1. Using sterile forceps and scissors, cut a 7.5 cm x 2.0 cm strip of Helistat off of a 7.5 x 10 cm (3" x 4") sponge.
- 5 2. Using a 1-cc syringe with a 22-G needle, slowly drip approximately 0.8 mL of 0.43 mg/mL rhBMP-2 solution uniformly onto the Helistat sheet.
3. Using sterile forceps, loosely pack the sponge into the chamber of the dowel.
- 10 4. Using a 1-cc syringe with a 22-G needle, inject the remaining 0.8 mL of 0.43 mg/mL rhBMP-2 into the sponge in the dowel through the openings of the chamber.
- 11 5. Implant immediately.

15

EXAMPLE 5

BONE DOWEL PACKED rhBMP-2/HA/TCP COMPOSITION

A threaded dowel is obtained through the methods of Examples 1 and 2.

20 A vial containing 4.0 mg of lyophilized rhBMP-2 (Genetics Institute) is constituted with 1 mL sterile water (Abbott Laboratories) for injection to obtain a 4.0 mg/mL solution as follows:

- 25 1. Using a 3-cc syringe and 22G needle, slowly inject 1.0 mL sterile water for injection into the vial containing lyophilized rhBMP-2.
2. Gently swirl the vial until a clear solution is obtained. Do not shake.

30 A cylindrical block of biphasic hydroxyapatite/tricalcium phosphate (Bioland) is wetted with a 0.4 mg/mL rhBMP-2 solution. The BMP-ceramic block is packed into the chamber of the dowel and the dowel is then implanted.

-37-

EXAMPLE 6  
CORTICAL RING

A screened consenting donor is chosen as described in EXAMPLE 1 as follows. A cortical ring is obtained as a cross-sectional slice of the diaphysis of a human long bone and then prepared using the methods described in Example 1. The ring is packed with an osteogenic composition as described in EXAMPLE 4 or 5.

EXAMPLE 7  
SPACERS

A screened consenting donor is chosen as described in EXAMPLE 1. A D-shaped cervical spacer is obtained as a cross-sectional slice of a diaphysis of a long bone and then prepared using the methods of Example 1. The exterior surfaces of the walls are formed by machining the slice to a D-shape. The engaging surfaces of the spacer are provided with knurlings by a standard milling machine. A hole is then drilled through the anterior wall of the spacer. The hole is then tapped to engage a threaded insertion tool. The chamber of the spacer is then packed with an osteogenic composition as described in EXAMPLE 4 or 5.

**EXPERIMENTAL II: BIOMECHANICAL TESTING**

EXAMPLE 10  
STATIC TESTING OF THREADED CORTICAL  
DOWELS UNDER AXIAL LOADING

Static testing was performed to assure that the dowels were able to withstand maximum physiologic loading, of at least 10,000 N, the maximum expected lumbar load. Eighteen



-38-

(18) mm outer diameter, frozen threaded cortical dowels 40 were obtained from the University of Florida Tissue Bank and thawed for testing with an axial test fixture 300. Four (4) samples of the threaded cortical dowel were inserted into two prepared plastic (polyacetal polymer) blocks 301,302 having matching geometry with the threaded cortical dowels 40 as shown in FIGS. 50-52. The plastic blocks 301,302 were attached to metallic blocks 301,302 to ensure uniform loading across the dowel 40. A disc height H of 9 mm was used for the testing. An axial load P was applied via a servohydraulic test machine to the blocks 301, 302, 303, 304 at a rate of 25 mm/min. until failure of the dowel 40. The load-displacement curves were recorded.

RESULTS:

The threaded dowels yielded at an average load of 24,733 N. The compressive strength of the threaded cortical dowels provides for a significant safety factor compared to both typical and maximum physiological spinal loading as shown in FIG. 53. These values range from 1000 N when standing to 10,000 N for heavy lifting. The compressive strength of threaded cortical dowels and cortical rings exceeds that of most available bone materials used for interbody fusion as shown in FIG. 54. Overall, the threaded cortical dowels and cortical rings tested demonstrated superior compressive strength compared to available options, with the exception of the femoral ring allograft. Note that the testing was for a single dowel. Clinically, most cases involve the placement of dual, bilateral dowels. Therefore, the expected average maximum compressive load for 2 dowels would be 49,466 N, comparable to the femoral ring allograft values. The threaded cortical dowels also compare favorably to artificial interbody implants as shown in FIG. 55.

-39-

EXAMPLE 11DYNAMIC TESTING OF THREADED  
CORTICAL DOWELS UNDER AXIAL LOADING

5 Dynamic testing determines the fatigue performance of  
the dowel under cyclic loading. Cycles to failure are  
determined at various load levels. Resistance to fatigue is  
important to the performance of spinal implants. The  
implant must be able to withstand cyclic in vivo loading  
until fusion occurs. It is estimated that the average  
10 person makes 2 million strides per year (1 million gait  
cycles) and 125,000 significant bends per year. Therefore,  
the typical dynamic testing run-out value of 5 million  
cycles simulates approximately 2 years of cyclic loading  
prior to fusion and ultimate complete spinal motion segment  
15 stabilization.

The fixture 300 (FIGS. 50-52) described in Example 11  
for the axial static testing was used to apply dynamic  
alternating loads to various implants and dowels. Initial  
fatigue loads were determined based on the maximum static  
20 load value. Initial fatigue loads were 75%, 50% and 25% of  
the ultimate strength value of 24,733 N. Additional data  
points were then generated to determine the five million  
cycle runout value.

## RESULTS:

25 Based on the previously discussed physiologic loading  
values, an average every day loading value is expected to be  
a fraction of the maximum values and is estimated at  
approximately 3,200 N. This typical loading value can then  
be used to assess the fatigue performance of the various  
30 interbody fusion alternatives. For the threaded cortical  
dowel, runout was achieved at a level of 30% of the maximum



-40-

static load. That is, a minimum of 2 samples reached 5 million cycles at an applied load of 7,420 N as shown in FIG. 56. This value is well above the average loading value of 3200 N.

5

EXAMPLE 12STATIC AND DYNAMIC TESTING OF  
THREADED CORTICAL DOWELS UNDER BENDING LOADS

10

15

While compressive testing provided valuable comparative information regarding the dynamic and static performance of the dowels, it is a simplification of the loading seen by the dowels in the clinical settings. In order to better simulate the loading seen clinically, a special flexion-extension or multi-axial cyclic test fixture 310 was developed (FIGS. 57 and 58). Dowels were tested in both static and dynamic loading situations. The specially designed fixture applied complex, multi-axial loading to the dowels.

20

25

The dowels were placed into pre-tapped plastic (polyacetal polymer) blocks 311,312. The plastic blocks 311,312 are affixed to recessed pockets 313,314 in the upper 315 and lower 316 plates of the metal test fixture 318. Vertical loads L are applied to generate the flexion-extension bending moments. Cyclic compressive loads are applied, and a bending moment is generated by the 7.6 cm loading arm.

30

Two dowels were subject to a static load to failure in the test fixture. The maximum load value was then used to determine dynamic loading values. For the fatigue testing, fully reversed loading was applied, simulating flexion-extension cycles. Cyclic testing was carried out at values of 40%, 30% and 20% of the maximum load value and the 5 million cycle runout value was determined.

-41-

## RESULTS:

The average static load to failure value for the threaded cortical dowel was found to be 1,545 N. Given the 7.6 cm moment arm, this translates into a value of 138 N-m maximum bending load. The 5 million cycle runout value was approximately 450 N. Again, given the 7.6 cm moment arm, this translates into a value of 40.5 N-m bending load. It is reported that the failure load of a lumbar motion segment in bending is 33 N-m on average. The maximum static load value is over 4 times higher than this value, and the dynamic, multi-axial runout value is above this maximum bending load value.

EXAMPLE 13

## INSERTION TORQUE TESTING OF THREADED CORTICAL DOWELS

Benchtop testing was performed to study the insertion torque required to insert the dowels and to compare these values with that of threaded interbody fusion devices. Two (2) lumbar calf spines were used for the insertion torque testing. Due to size constraints, an 18 mm threaded cortical dowel was inserted into the lowest two lumbar levels of each spine. The disc spaces were dilated and the space was reamed and then tapped. A specially modified driver was used to place the dowels and measure the insertion torque.

## RESULTS:

No damage was noted to any of the dowels upon examination after insertion. The average insertion torque value was found to be 0.78 N-m. The threaded cortical dowel compared favorably to known values for metal threaded fusion devices as shown in FIG. 59.



-42-

## SUMMARY OF THREADED CORTICAL DOWEL TESTING

The biomechanical testing demonstrates that the threaded cortical dowels are well suited for interbody fusion applications. The test information is summarized as follows:

- 5       1. The static strength of threaded cortical dowels provides for a substantial safety factor over maximum physiologic load levels. The dowels are stronger than alternative bone dowel constructs. Their strength exceeds that of the Brantigan  
10       composite PLIF cage and the Ray TFC device and is comparable in strength to the SpineTech BAK.
2. The fatigue strength of the threaded cortical dowels exceeds that of conventional Crock-type bone  
15       dowels and provides for a substantial safety factor over typical, daily living load levels. The fatigue strength of the dowels exceeds that of the Ray TFC device and is comparable to the SpineTech BAK device.
3. The dowels are able to resist maximum bending  
20       loads, providing for a substantial safety factor in static loading and demonstrating 5 million cycle runout at a value above the maximum expected bending loads.
4. The torque required to insert the devices is  
25       comparable with that seen with threaded fusion cages. No damage to the threads or the dowel drive attachment were detected when inserting and revising the dowels.

Overall, the threaded cortical dowels possess the  
30       required biomechanical properties to facilitate interbody fusion in the lumbar spine. Their physical strength well exceeds the expected physiological loading and is superior to other bone graft alternatives. The dowels outperform or are comparable to all currently  
35       available fusion cage alternatives.

-43-

EXAMPLE 14

## EVALUATION OF rhBMP-2 AS A BONE GRAFT ENHANCING AGENT

The purpose of this study was to determine the effect of using BMP to augment allograft to fill a gap surrounding a porous coated implant. A non-weight bearing canine model was used.

Raw Materials

MATERIAL	SOURCE/LOT #	COMMENTS	AMOUNT SUPPLIED
rhBMP-2	Genetics Institute Lot # 0214CO1 TQ Fill	4mg/mL rhBMP-2 in 5mM sodium glutamate, 2.5% glycine, 0.5% sucrose, 0.01% Tween 80, pH 4.5	4 vials at 4mg/vial lyo. from MFR842 buffer
MFR842 Buffer	Genetics Institute Lot #26256	5mM sodium glutamate, 2.5% glycine, 0.5% sucrose, 0.01% Tween 80, pH 4.5	4 vials at 5mL/vial
Irradiated Fresh, Frozen Canine Allograft	Donor Canines	Irradiated 2.5Mrads (24-26 KG's)	Approximately 10-15mLs
Vitallium Porous Coated Plugs	Howmedica	6.4mm diameter	N/A
Teflon Washers	Howmedica	I.D. 6.4mm, O.D. 10.4mm	N/A
Autogenic blood	N/A	N/A	N/A
Sterile Water for Injection	Abbot Labs Lot # 90-544-DK	WFI USP Grace	4 vials at 10mL/vial



-44-

Composition and Graft Preparation

## 1. Allograft Preparation

- a. Draw 1mL canine blood.
- b. Add 0.700mL canine blood to a sterile 1.5mL eppendorf tube.
- c. Mark level on this tube.
- d. Mark level on a second tube and discard the tube containing blood.
- e. Mark level on three additional tubes.
- f. Add allograft to level marked on tubes.

## 2. Allograft/Blood/rhBMP-2 Compositions

- a. Reconstitute the rhBMP-2 using 1mL, room temperature, sterile water for injection (WFI). Inject the WFI into a vial of rhBMP-2, along the inside surface of the vial. Gently swirl the vial 3-4 times. The final concentration is 4mg/mL.
- b. Draw 1.0mL canine blood and place in a sterile eppendorf tube.
- c. Draw 0.550mL of blood from the tube and place into a second eppendorf tube.
- d. Add 0.050mL blood of the reconstituted rhBMP-2 solution to the 0.550mL blood and mix gently with a siliconized pipet tip.
- e. Add 0.300mL of the blood/rhBMP-2 mixture to the eppendorf tube containing the allograft.
- f. Stir the material gently with a sterile spatula until well mixed.
- g. Let clot at room temperature for 1 hour.

-45-

## 3. Allograft/Blood/MFR842 Composition

- a. Draw 1.0mL canine blood and place in a sterile eppendorf tube.
- b. Draw 0.550mL of blood from the tube and place into a second eppendorf tube.
- c. Add 0.050mL of the MFR842 Buffer to the 0.550mL blood and mix gently with a siliconized pipet tip.
- d. Add 0.300mL of the blood/MFR842 mixture to the eppendorf tube containing the allograft.
- e. Stir the material gently with a sterile spatula until well mixed.
- f. Let clot at room temperature for 1 hour.

Surgery

Graft compositions were placed across each femoral condyle with a 2 mm cap maintained throughout the cancellous region of the condyle. The composition on the left included fresh-frozen allograft and the composition on the right included fresh-frozen allograft plus rhBMP-2 as shown in the table below.

## Scheme

Canine ID	Control: Bone Graft Only	Treated: Bone + rhBMP-2	Time
94-975	Right leg	Left leg	14 days
94-973	Right leg	Left leg	14 days
94-913	Right leg	Left leg	28 days
94-914	Right leg	Left leg	28 days



-46-

The implanted compositions were evaluated radiographically and effectiveness was tested using biomechanical shear testing or push-out strength. Five mm thick sections were obtained for the push-out tests by making a cut 5 mm from the lateral end of the metal implant and a second cut 5 mm from the first this cut. This resulted in three sections per bone specimen with the exception of one specimen which yielded four sections due to repositioning of the bone block. The biomechanical tests were completed using a computer-linked servohydraulic materials tester.

## RESULTS

The surgeries were uneventful. The dogs were all full weight bearing within 3 days (2+/-1.15).

Presurgical radiographs of the distal femora from all animals revealed normal, mature bone structure with no radiographic pathology. Post-operative and terminal evaluation of the implantation sites were performed to assure the correctness of implant placement and to document changes around the implant site. No fractures or other surgical complications were recognized on the radiographic images.

Push-out (compression) was achieved using a rate of 0.5 mm/sec. All specimens appeared to fail at the graft-metal interface. All of the two week specimens could be pushed out easily by finger-touch or by gravity alone. Push out testing does not appear to be adequate parameter for comparison of the treated vs. un-treated groups at this time period. Specimens from the treated animals at the 4 week time period were clearly superior to the untreated specimens as shown in the table below.

-47-

## Load to Failure Values(N)

Canine ID	Time After Surgery	Left Graft +BMP	Right Graft Alone
975	2 weeks	8.71	24.43
5 973	2 weeks	17.45	12.22
913	4 weeks	82.88	41.88
914	4 weeks	76.78	13.96

10 Push-out strength for the BMP-treated specimens was superior to the graft alone specimens after four weeks, suggesting a BMP enhancement of mechanical strength. The failure at the graft-metal interface indicates a weak bond between the metal and bone four weeks postoperatively.

## CONCLUSION

15 The combination of BMP with a bone graft provides superior results. Quicker fusion rates provide enhanced mechanical strength sooner. Bone is an excellent protein carrier which provides controlled release of BMP to the fusion site. When the bone graft is a threaded cortical  
20 dowel, the biomechanical superiority of the load bearing dowel is superbly combined with the enhanced fusion rates of the BMP-bone combination.

While the invention has been illustrated and described in detail in the drawings and foregoing description, the same is to be considered as illustrative and not restrictive



-48-

in character, it being understood that only the preferred embodiments have been shown and described and that all changes and modifications that come within the spirit of the invention are desired to be protected.

51344-15D

49

CLAIMS:

1. A spinal spacer for engagement between vertebrae, comprising:

an anterior wall having a convexly curved anterior  
5 surface and opposite ends;

a posterior wall having a flat posterior surface  
and opposite ends;

two lateral walls, each integrally connected  
between said opposite ends of said anterior and posterior  
10 walls to define a chamber; and

said walls comprised of bone and further defining;

a superior face defining a first opening, said  
opening in communication with said chamber, said superior  
face having a superior engaging surface; and

15 an opposite inferior face defining a second  
opening, said second opening in communication with said  
chamber, said inferior face having an inferior engaging  
surface.

2. The spacer of claim 1 wherein said bone is  
20 cortical bone obtained from the diaphysis of a long bone  
having a medullary canal, said chamber including a portion  
of the medullary canal.

3. The spacer of claim 1, further comprising an  
effective amount of an osteogenic composition to stimulate  
25 osteogenesis, said composition disposed within said chamber.

4. The spacer of claim 3 wherein said osteogenic  
composition includes a material selected from the group  
consisting of autograft, allograft, a bioceramic and a



51344-15D

50

substantially pure osteogenic factor in a pharmaceutically acceptable matrix.

5. The spacer of claim 4 wherein said bioceramic is a biphasic calcium phosphate ceramic.

5 6. The spacer of claim 4 wherein said factor includes a bone morphogenic protein selected from the group consisting of BMP-1, BMP-2, BMP-3, BMP-4, BMP-5, BMP-6, BMP-7, BMP-8, BMP-9, BMP-10, BMP-11, BMP-12 and BMP-13, a mixture thereof and a heterodimer thereof.

10 7. The spacer of claim 6 wherein said matrix is selected from the group consisting of calcium sulphates, polylactic acids, polyanhydrides, collagen, calcium phosphates and polymeric acrylic esters.

8. The spacer of claim 1 wherein said anterior wall  
15 defines a tool engaging hole for receiving an implanting tool.

9. The spacer of claim 8 wherein said tool engaging hole is threaded for receiving a threaded implanting tool.

10. The spacer of claim 1 wherein at least one of said  
20 engaging surfaces are roughened.

11. The spacer of claim 1 wherein at least one of said engaging surfaces includes teeth.

12. The spacer of claim 1 wherein at least one of said engaging surfaces defines a waffle pattern.

25 13. The spacer of claim 1 further comprising a blade on at least one of said engaging surfaces.

14. The spacer of claim 1 wherein said wall defines a bone growth thru-hole therethrough, said thru-hole

51344-15D

51

communicating with said chamber and sized to receive mesenchymal cells.

SMART & BIGGAR  
OTTAWA, CANADA  
  
PATENT AGENTS



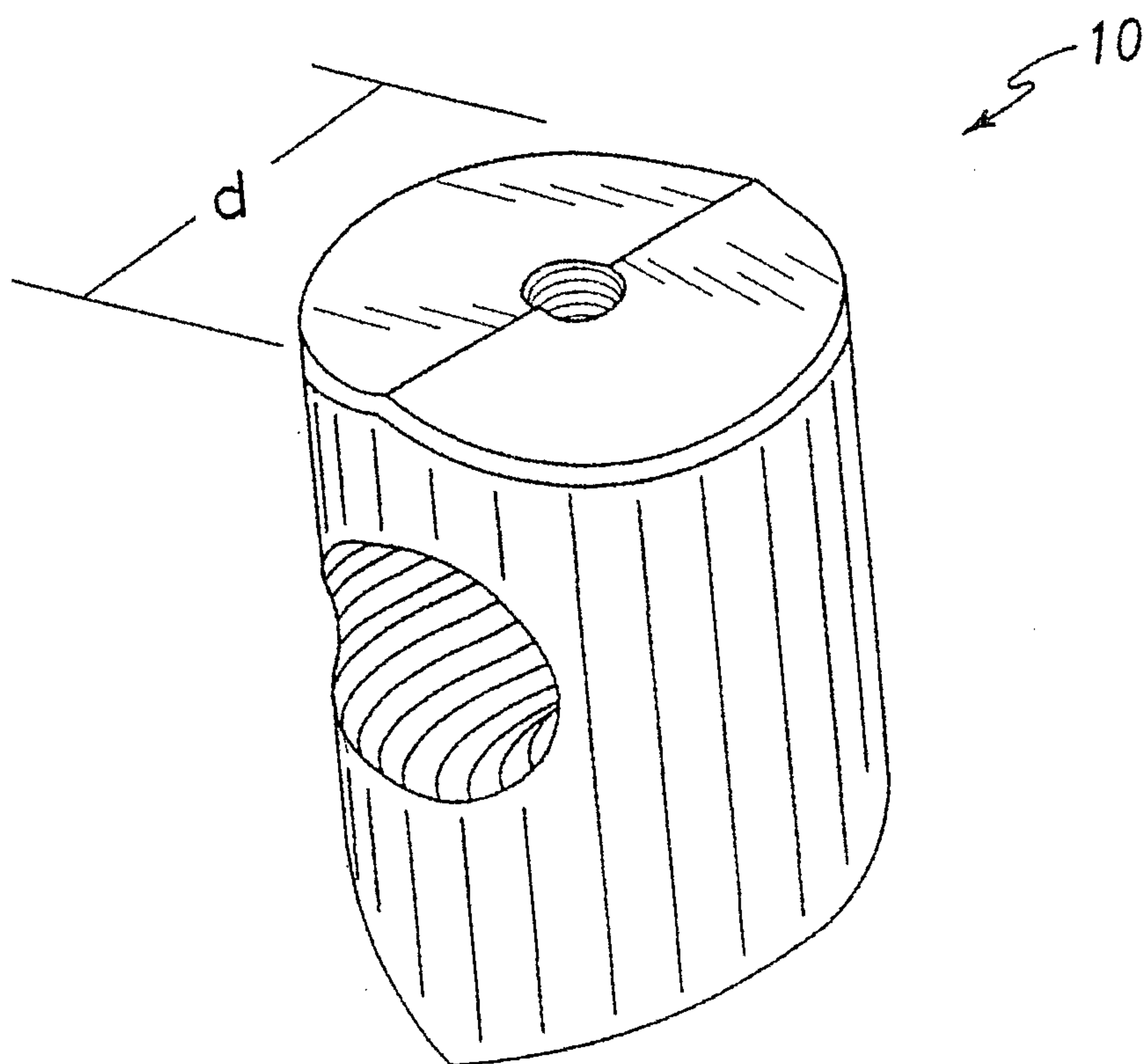
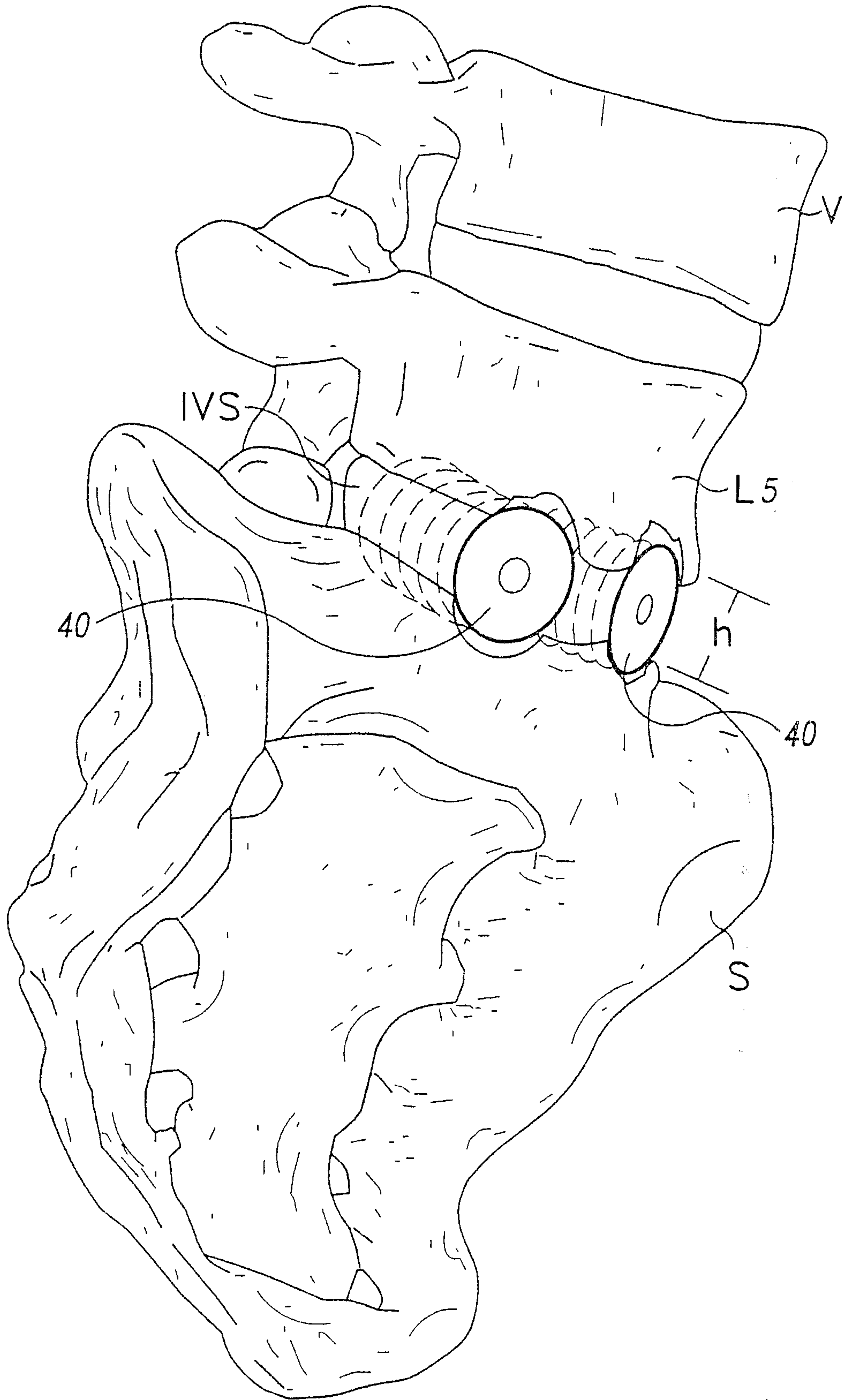


Fig. 1



**Fig. 2**



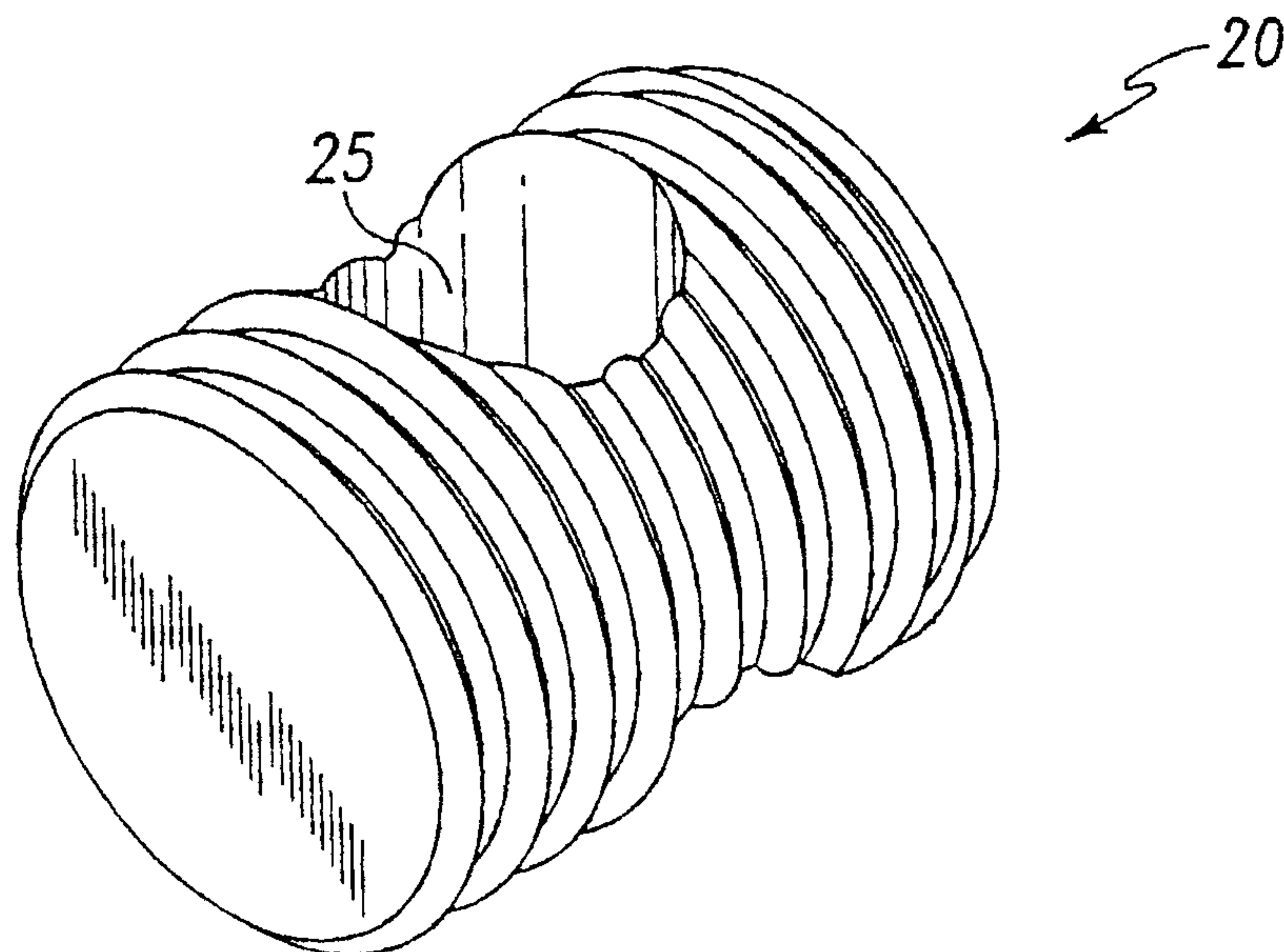


Fig. 3

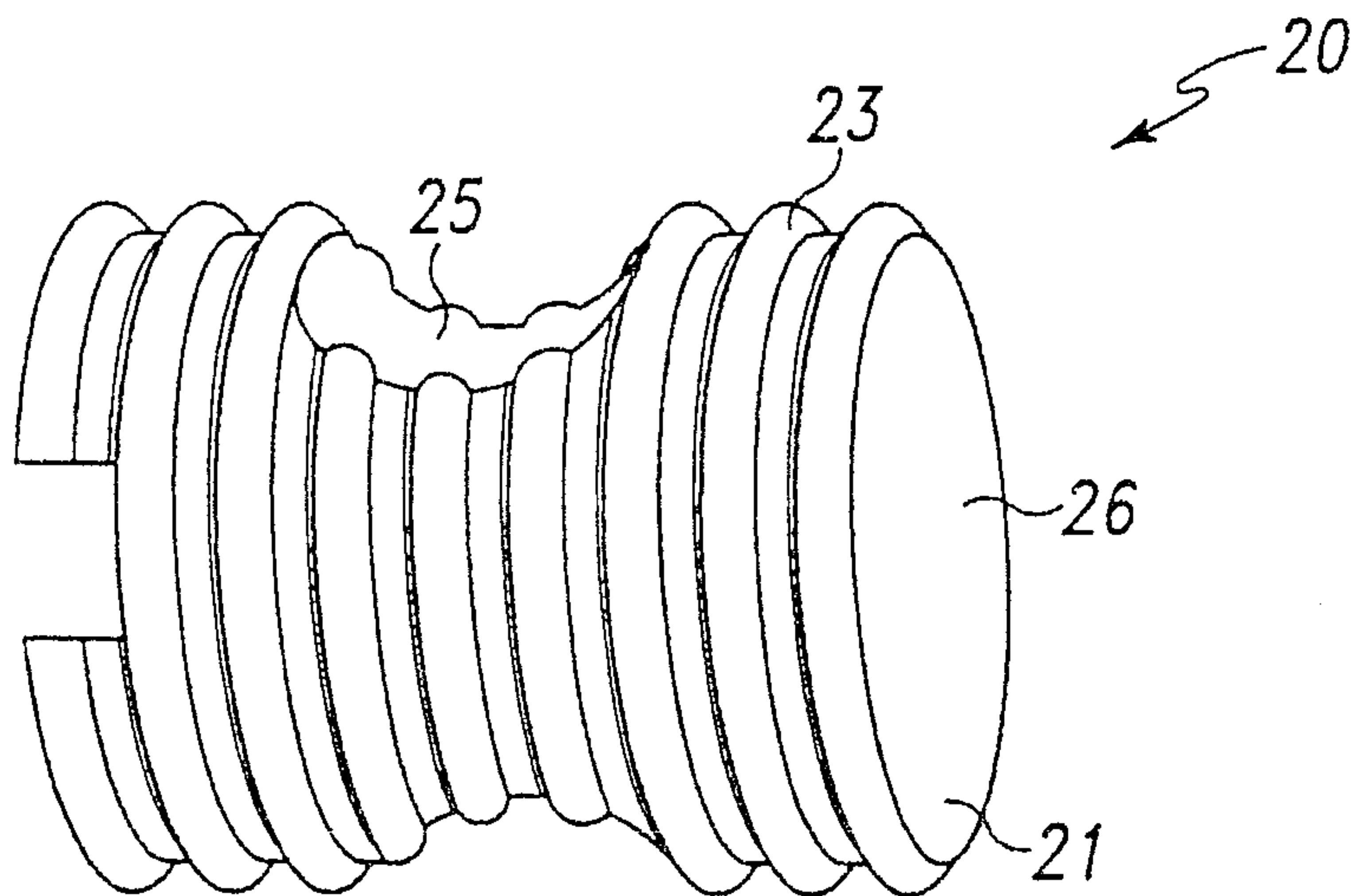


Fig. 4

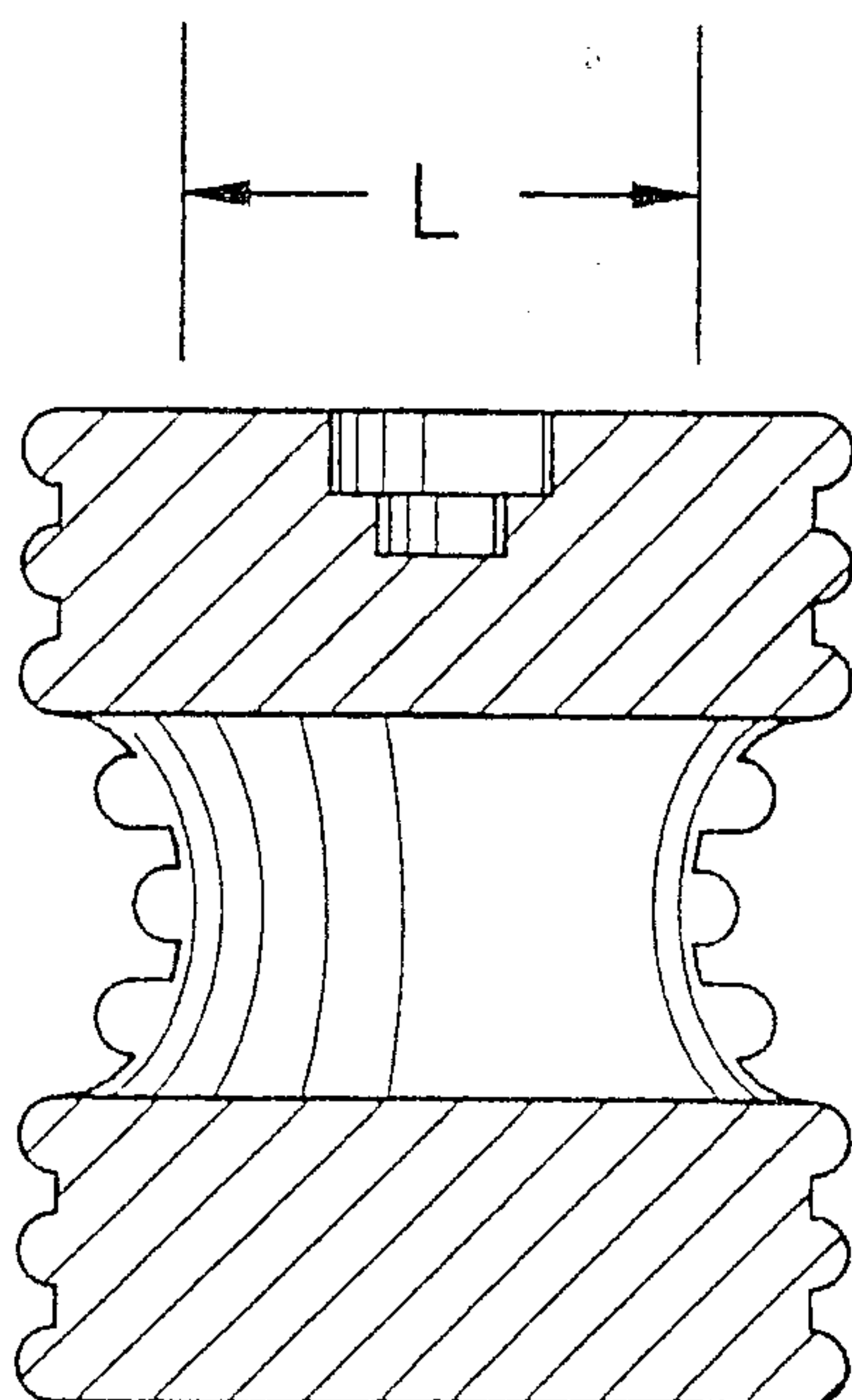


Fig. 5



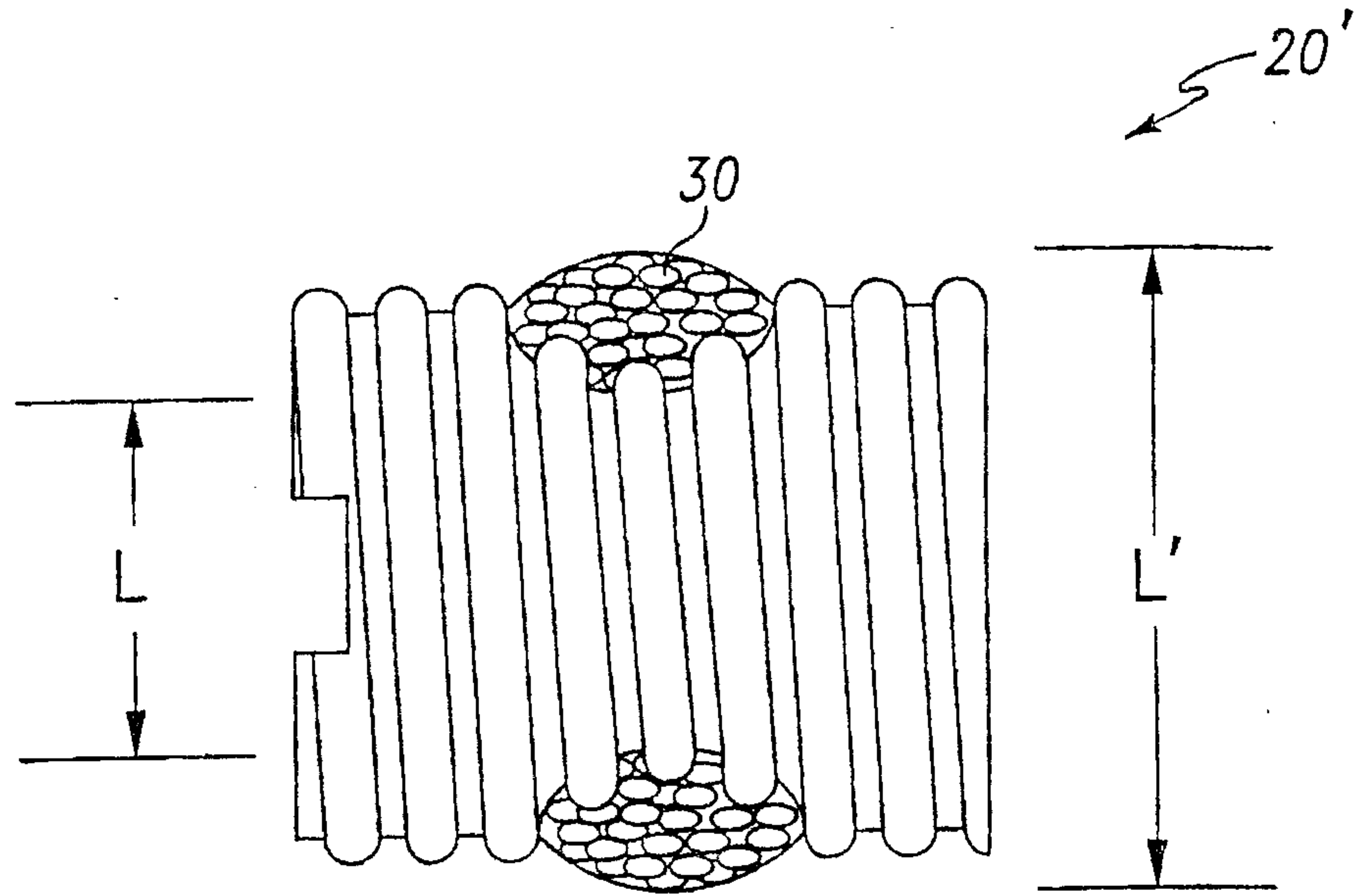


Fig. 6

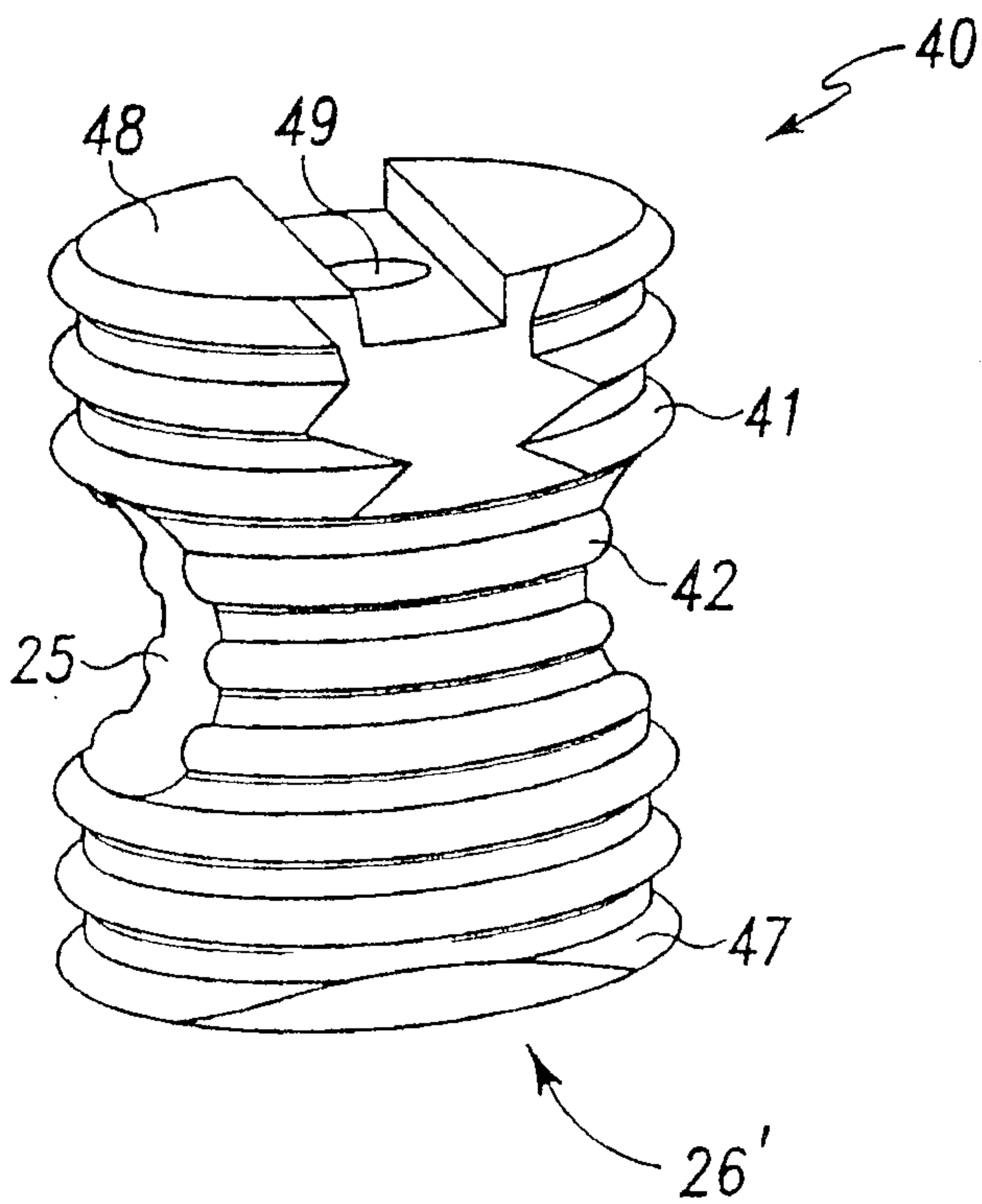


Fig. 7

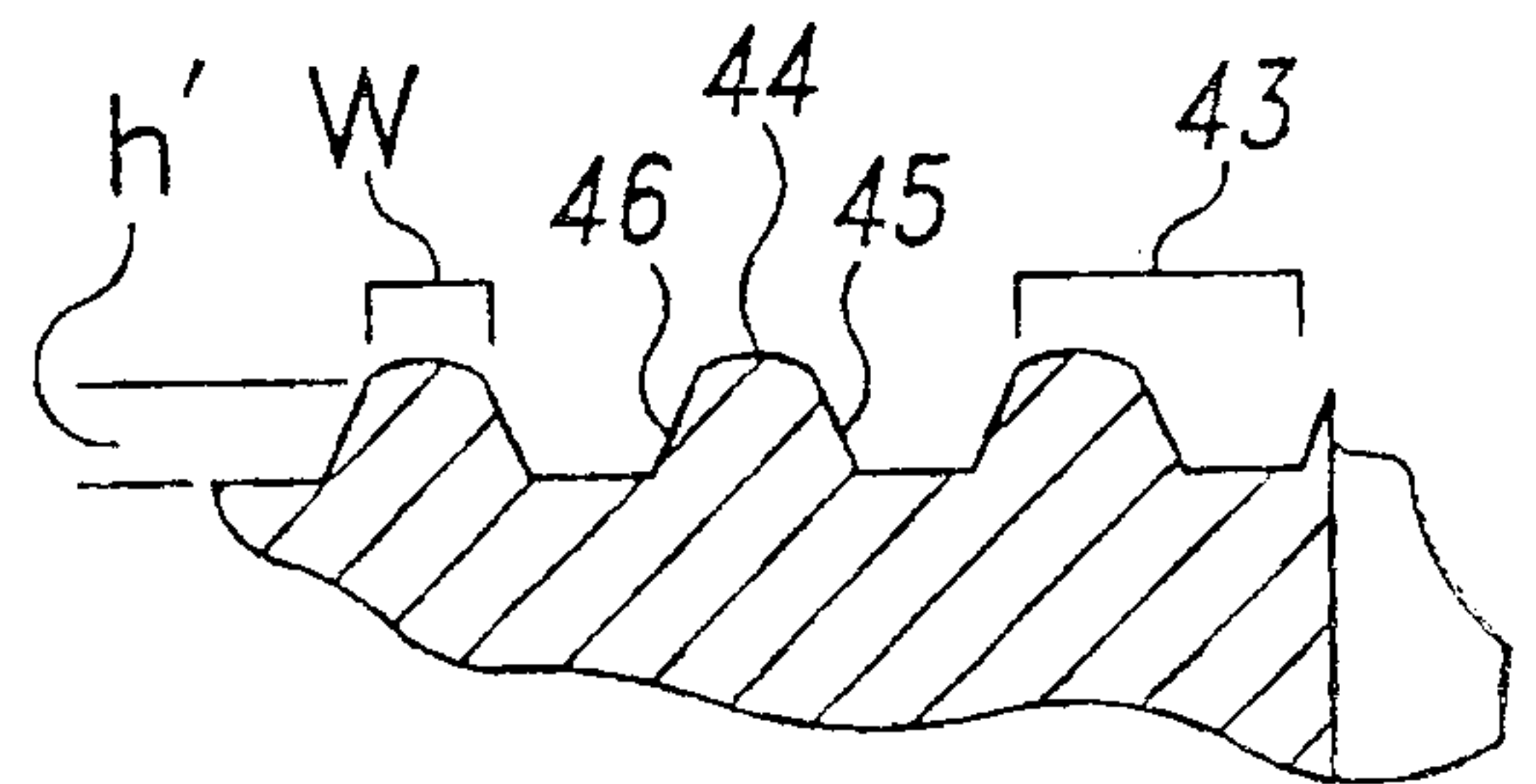


Fig. 8

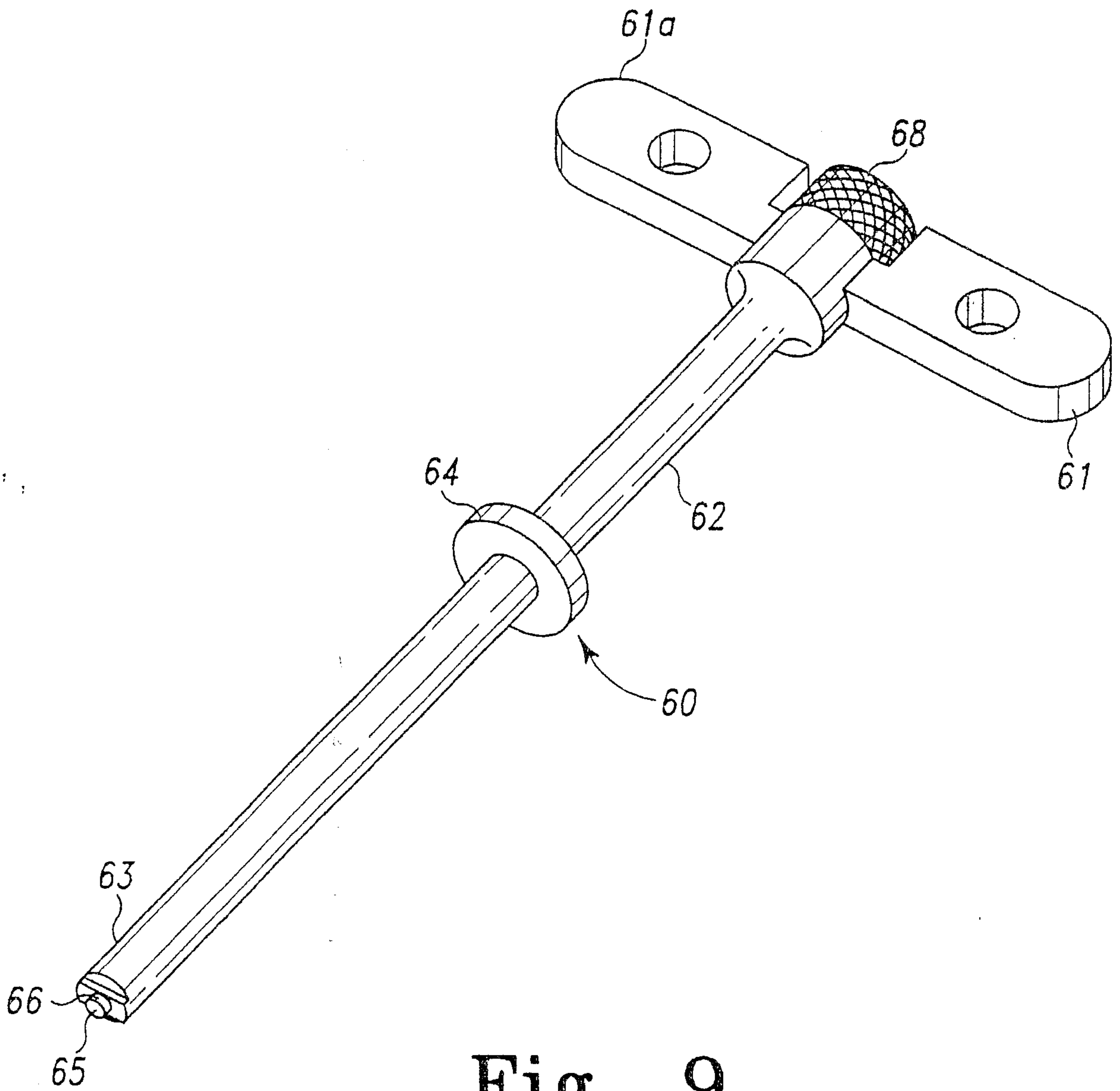


Fig. 9

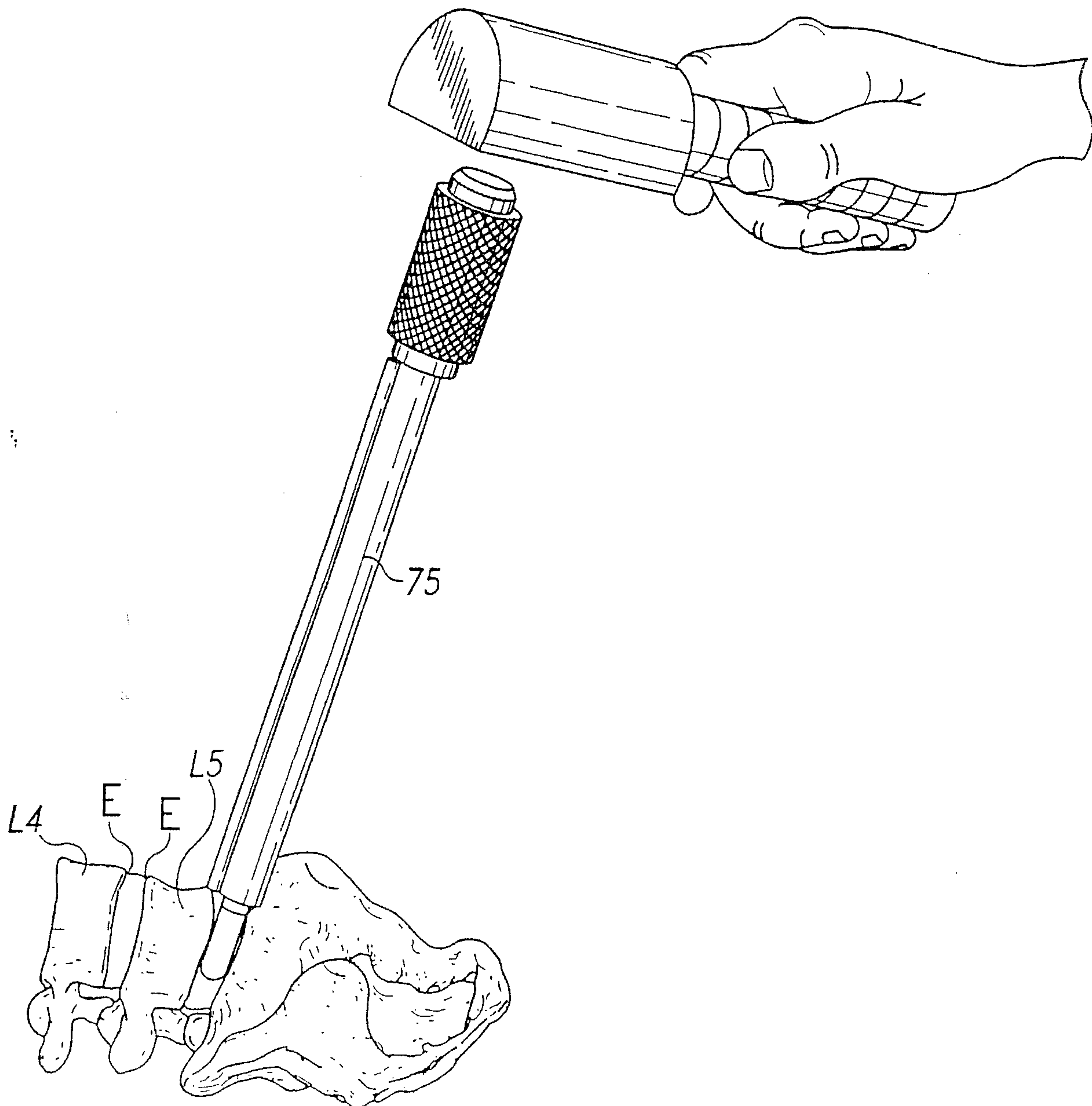
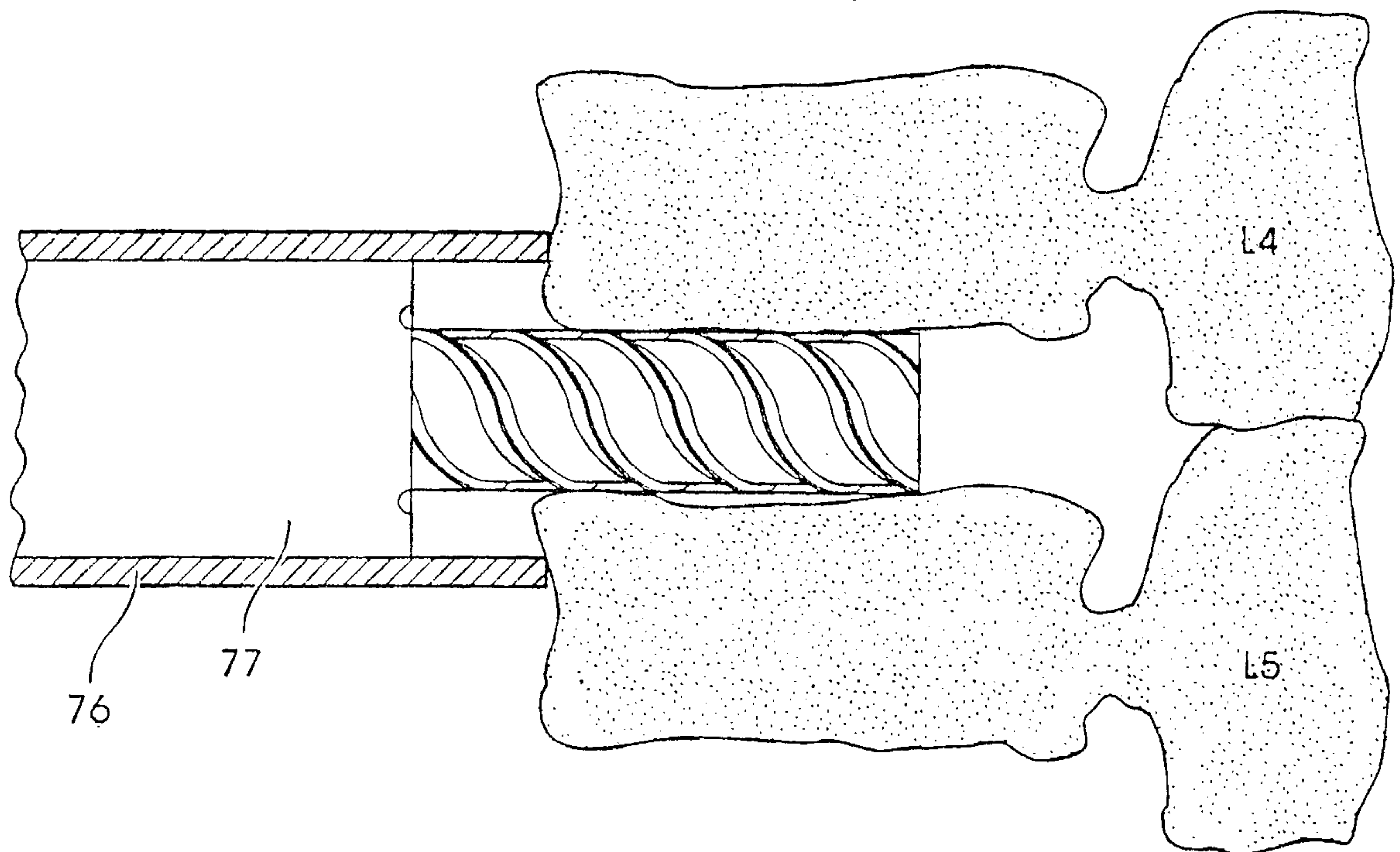
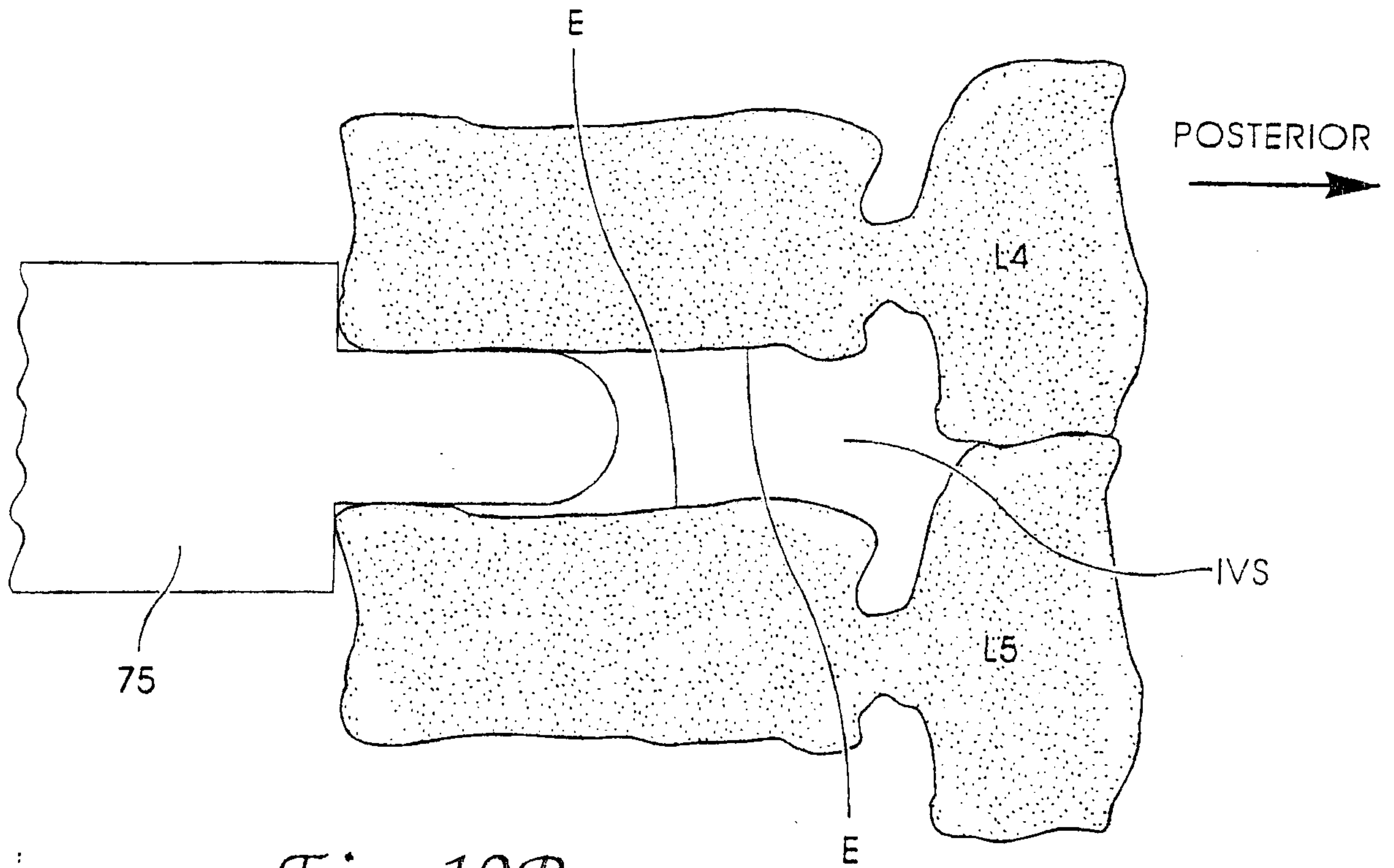


Fig. 10A





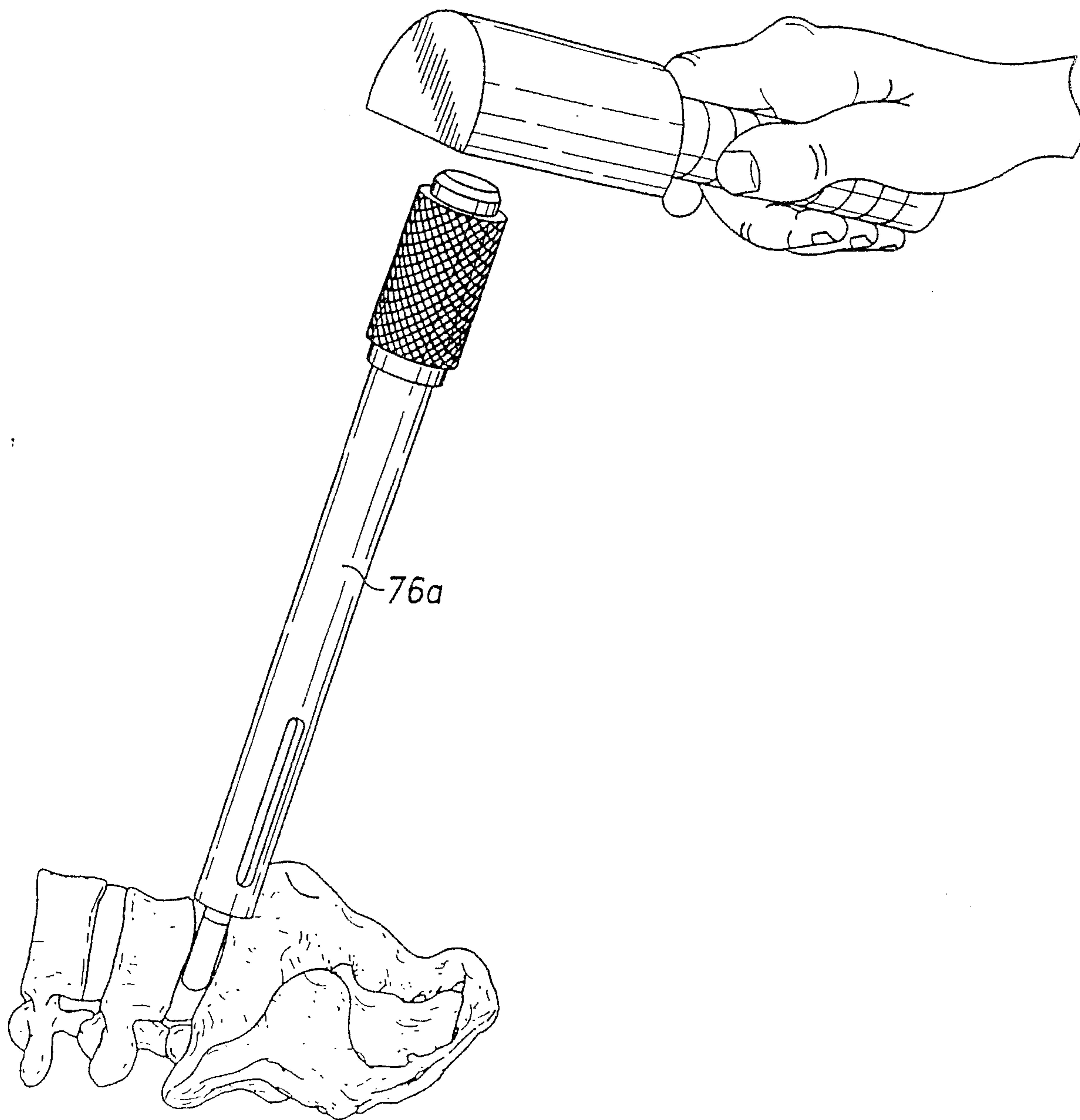


Fig. 11A

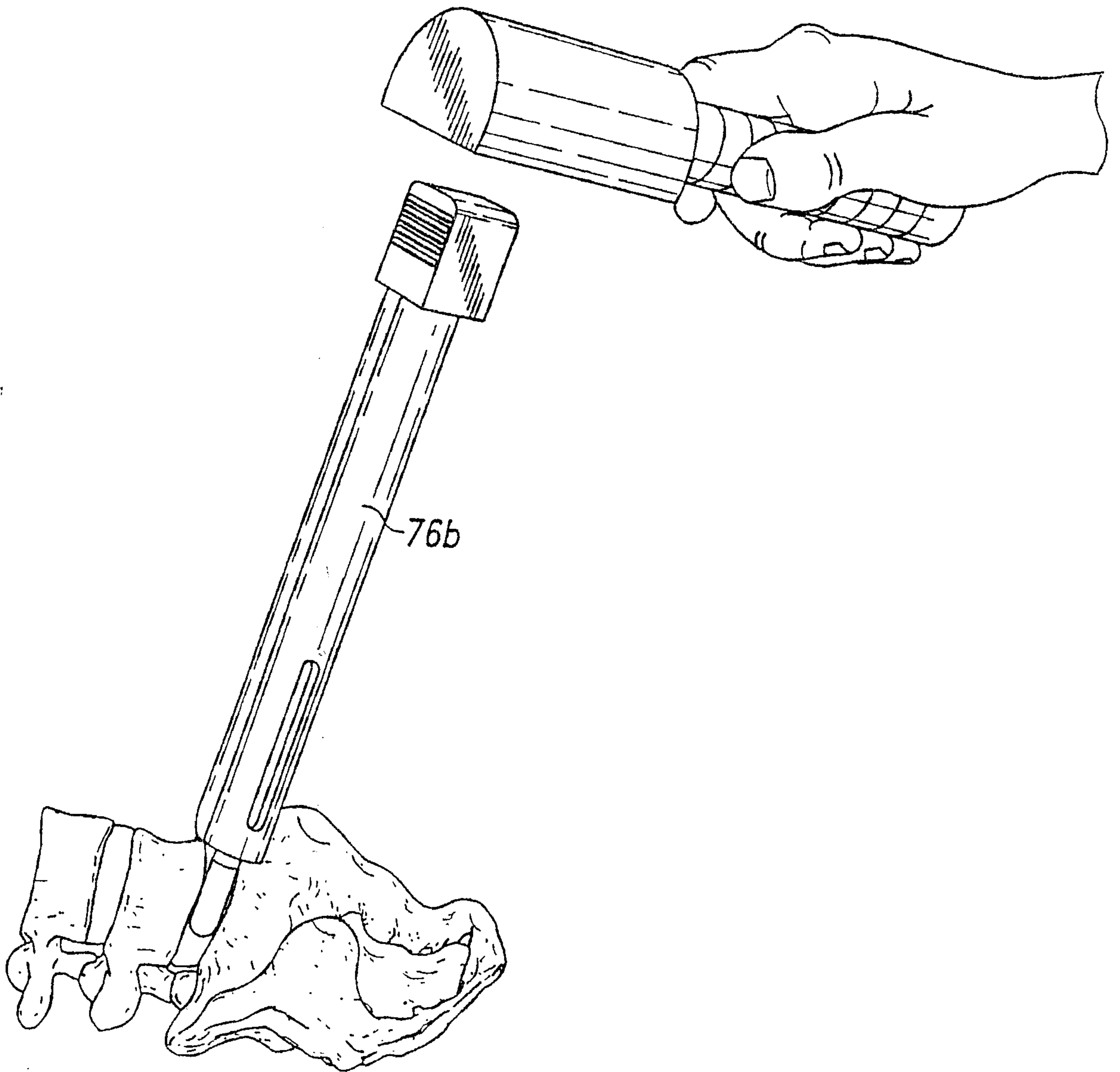


Fig. 12



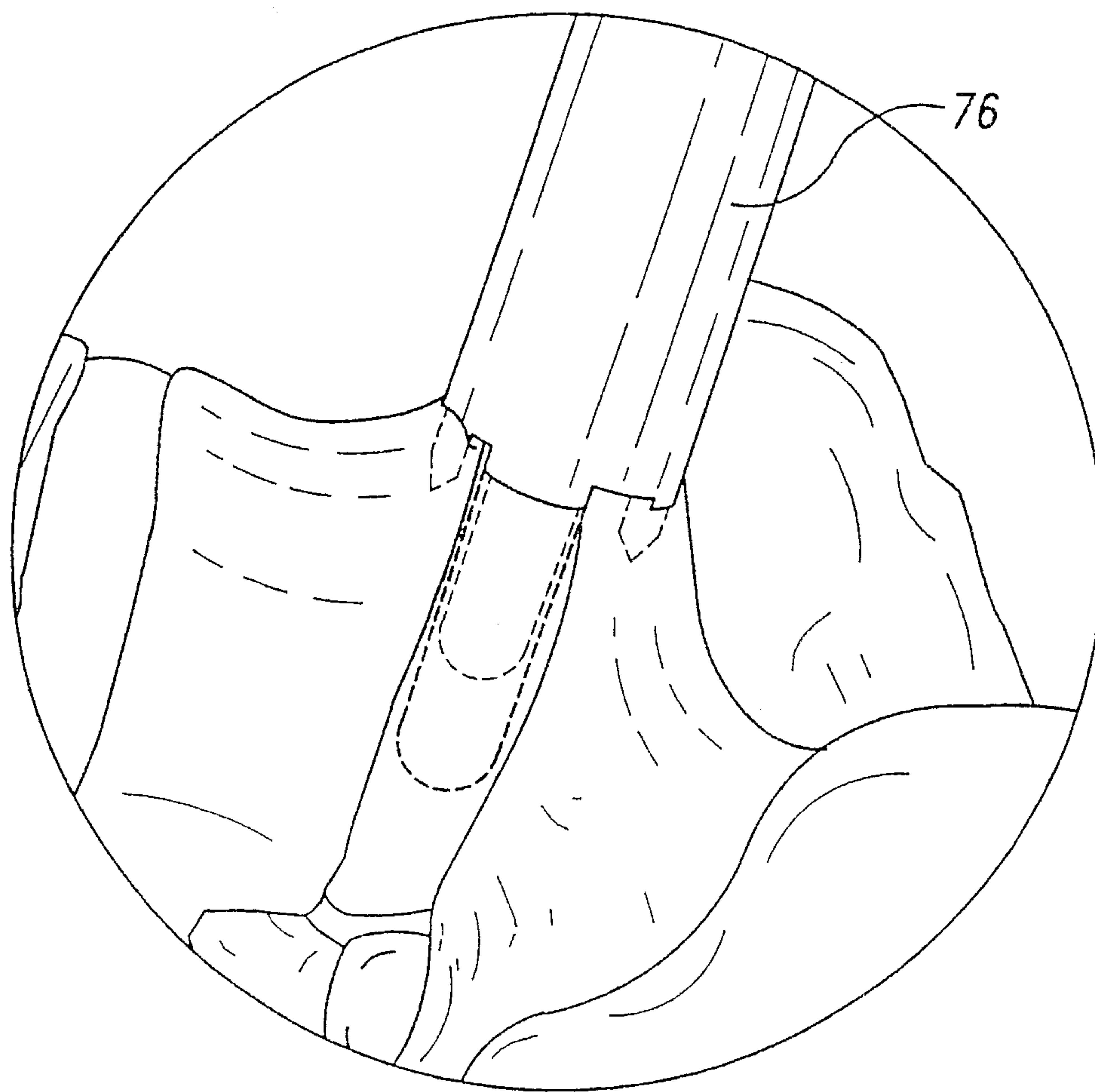


Fig. 13

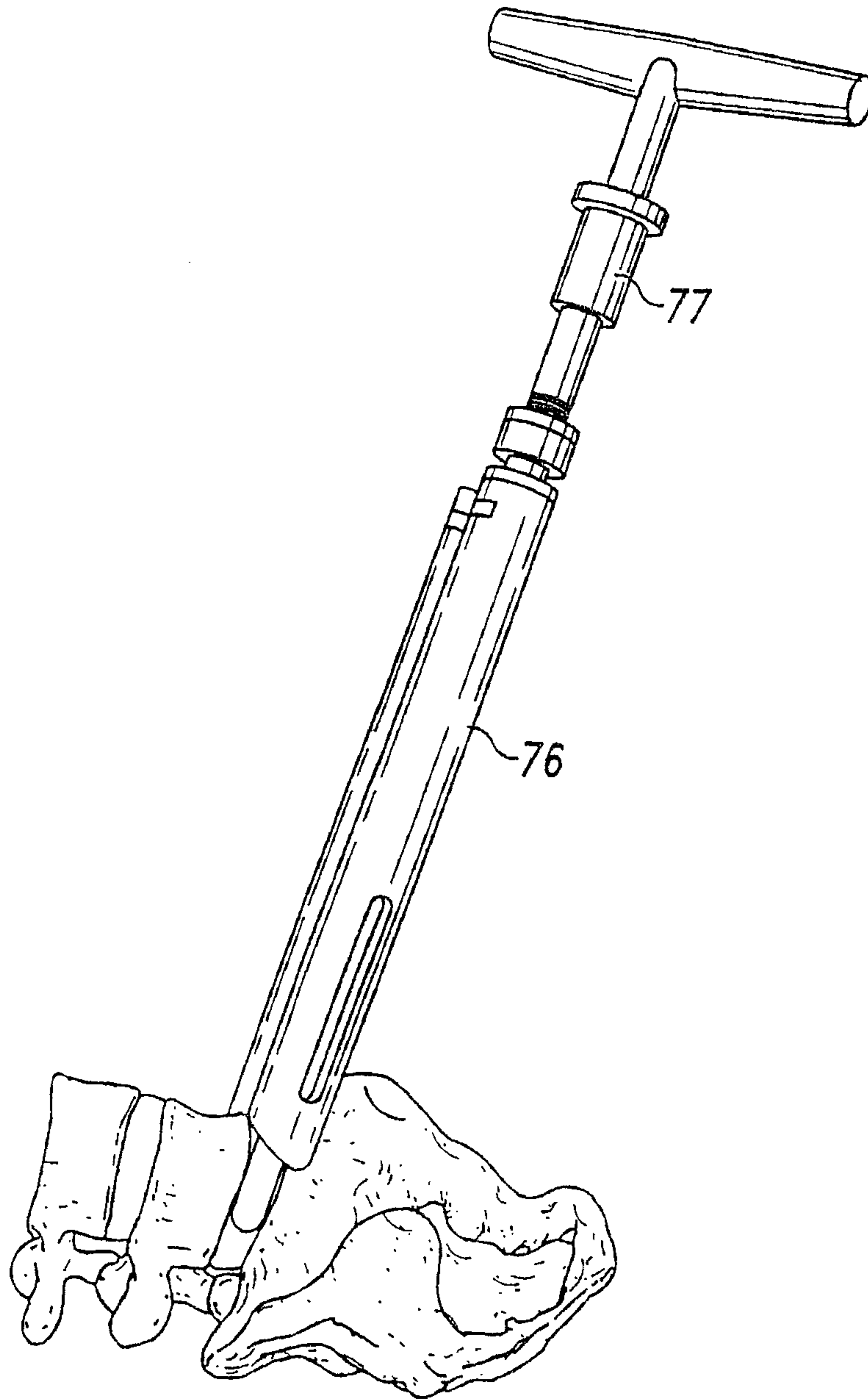


Fig. 14

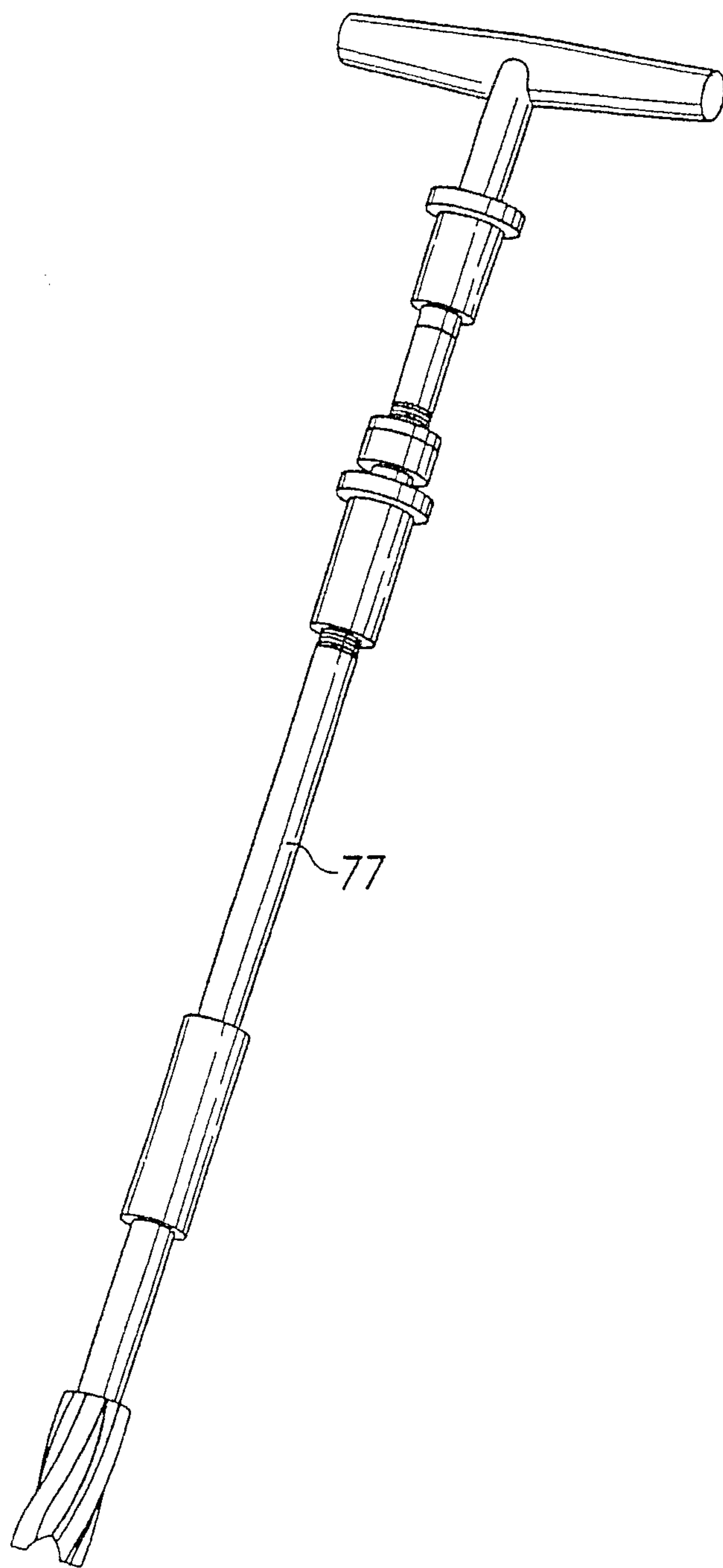


Fig. 15



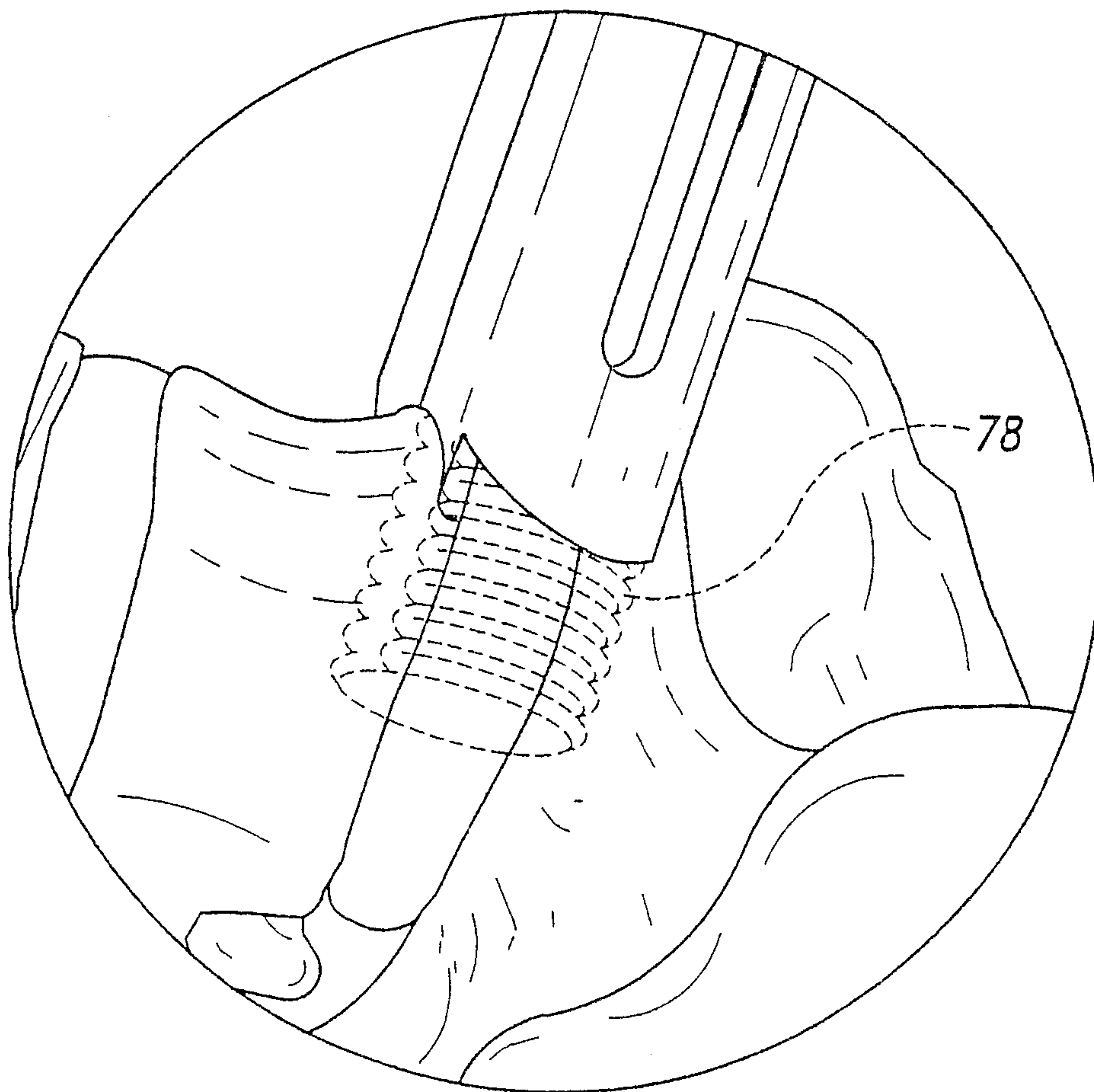


Fig. 16

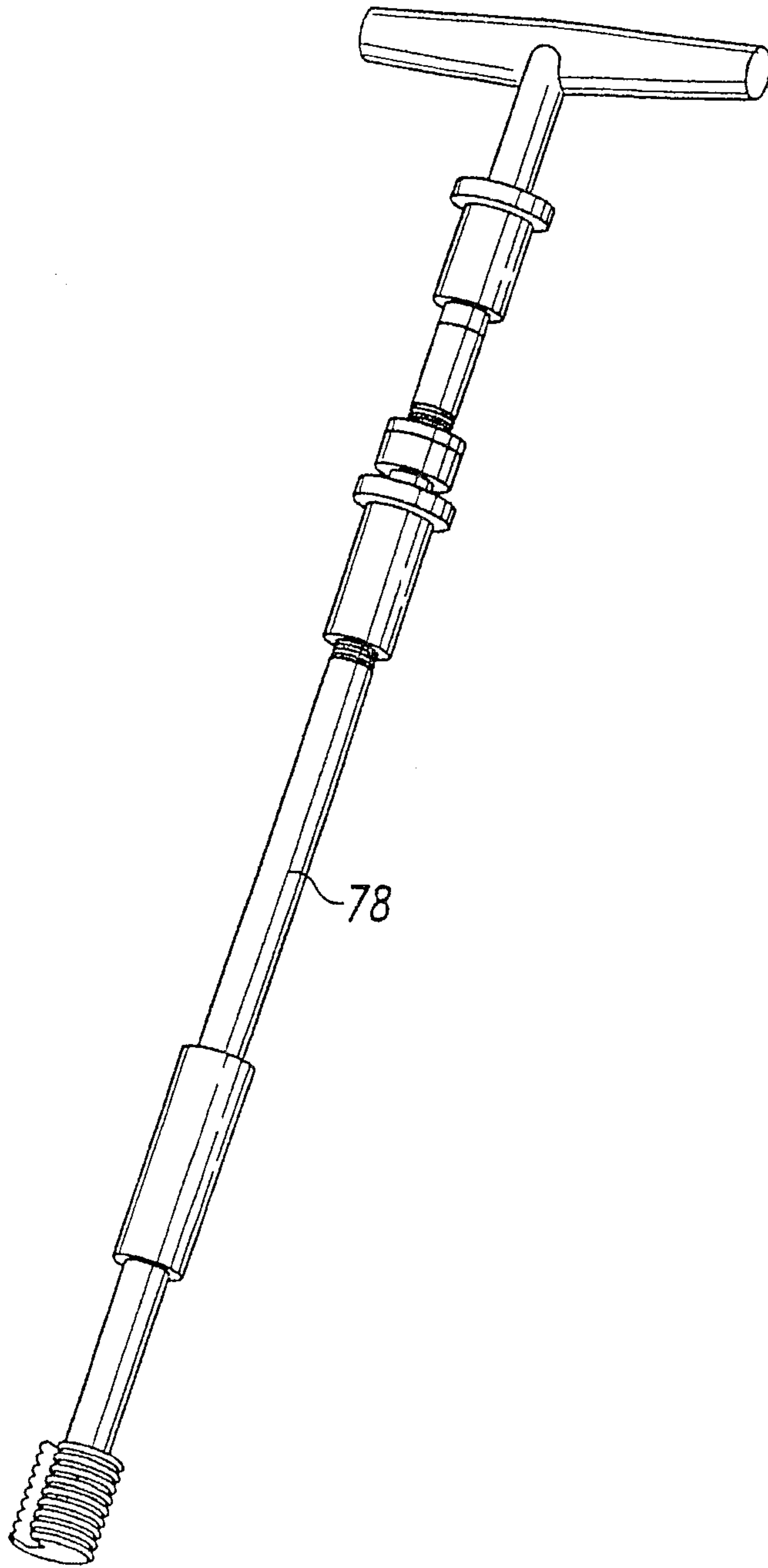


Fig. 17

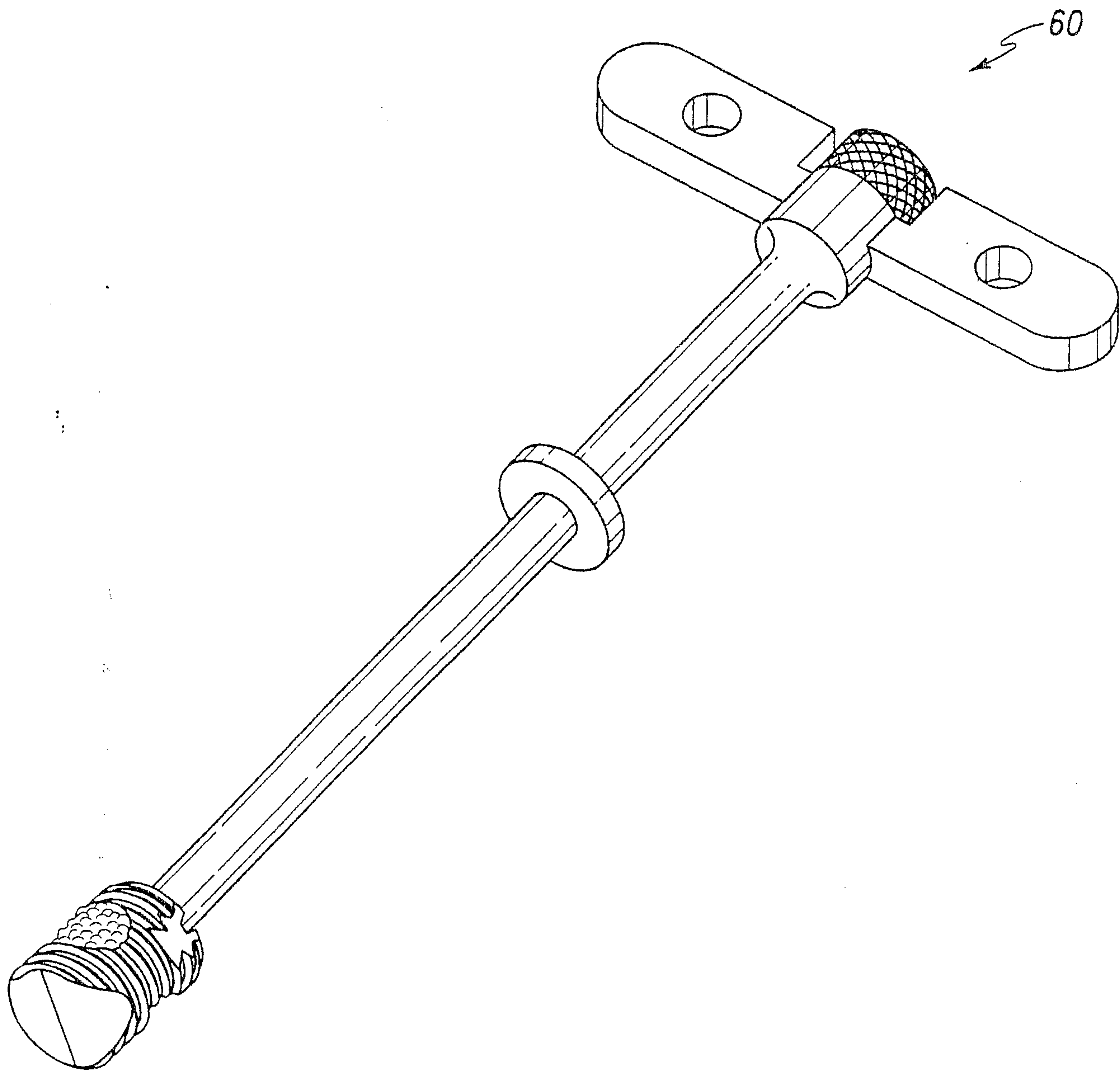


Fig. 18



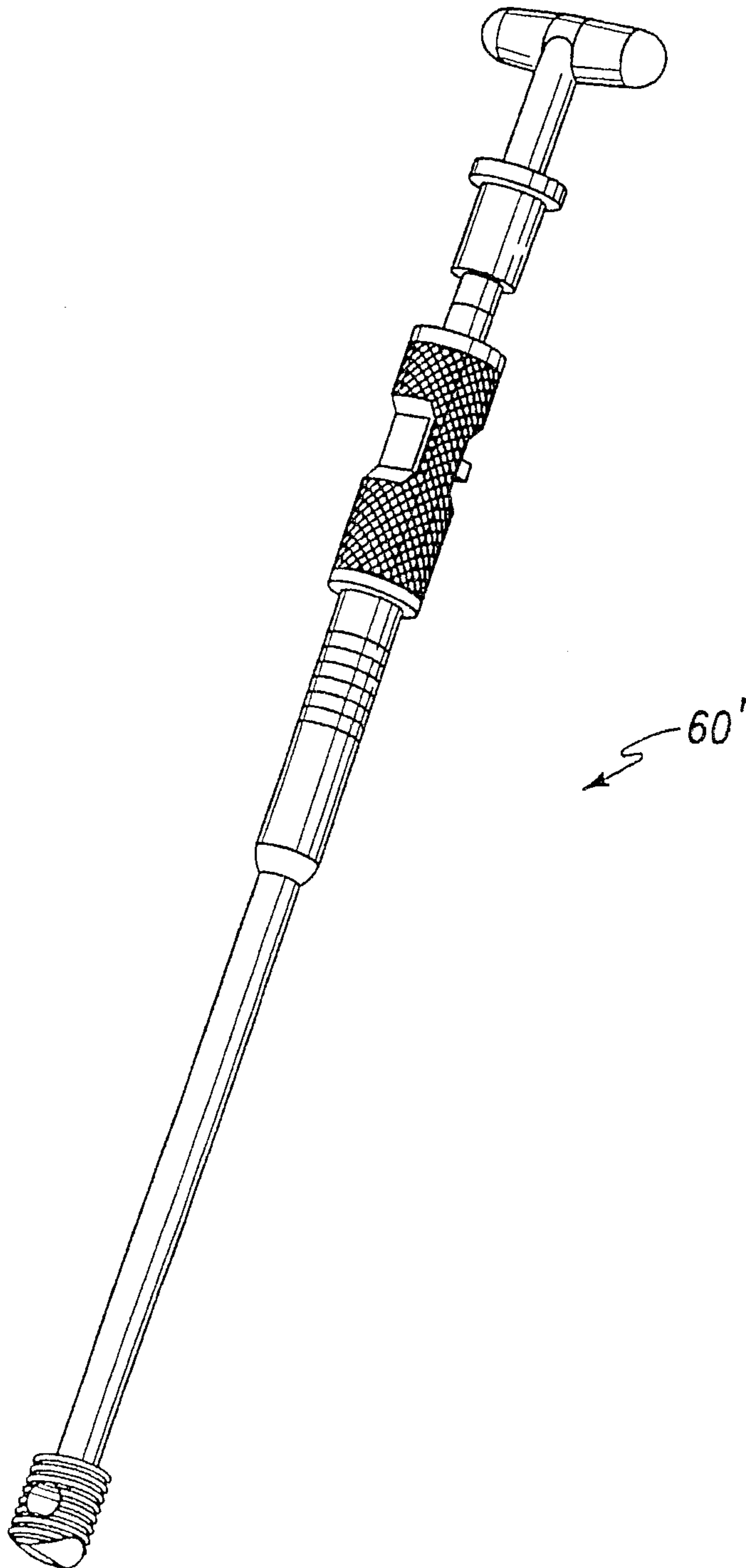


Fig. 19

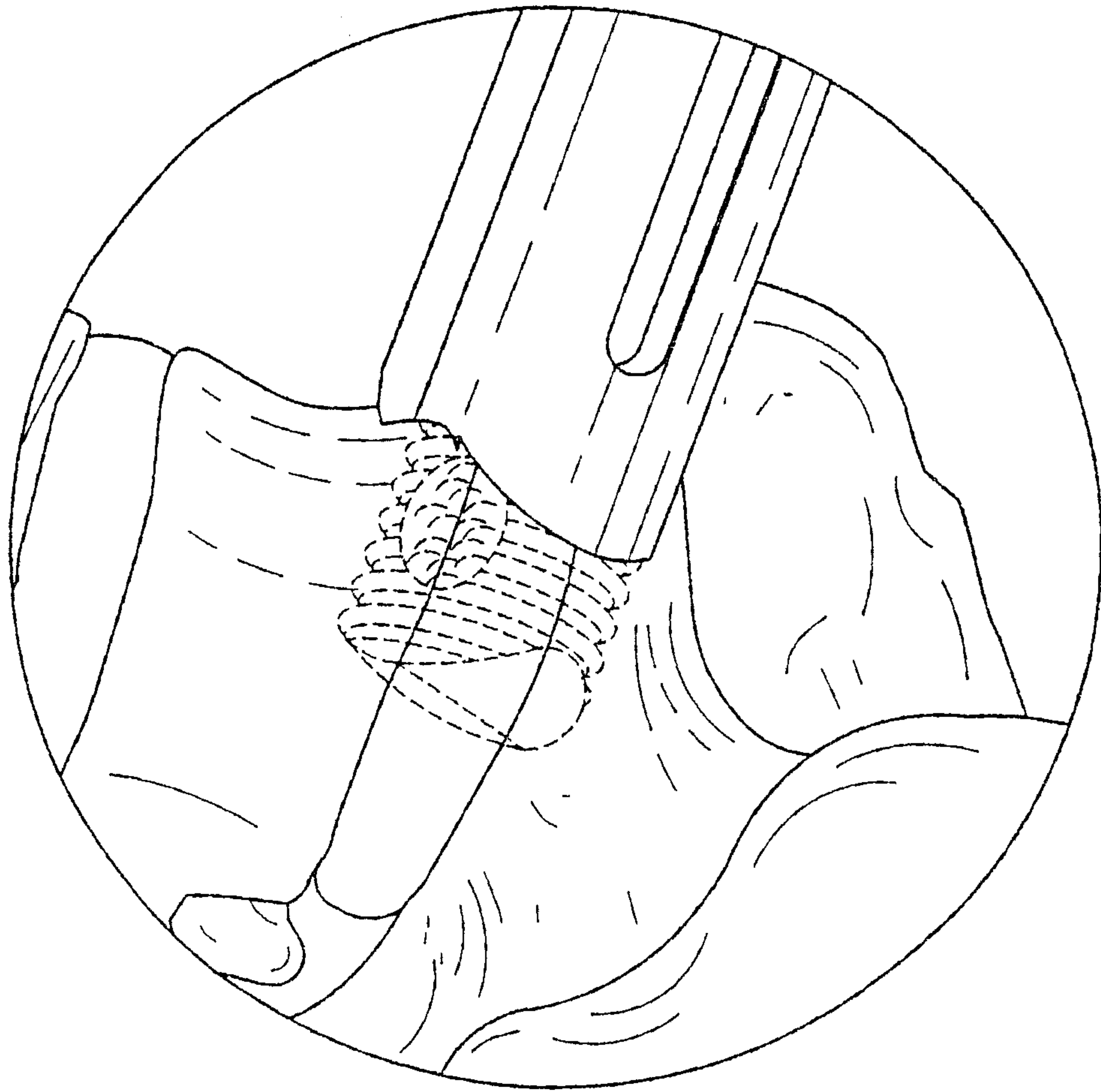


Fig. 20

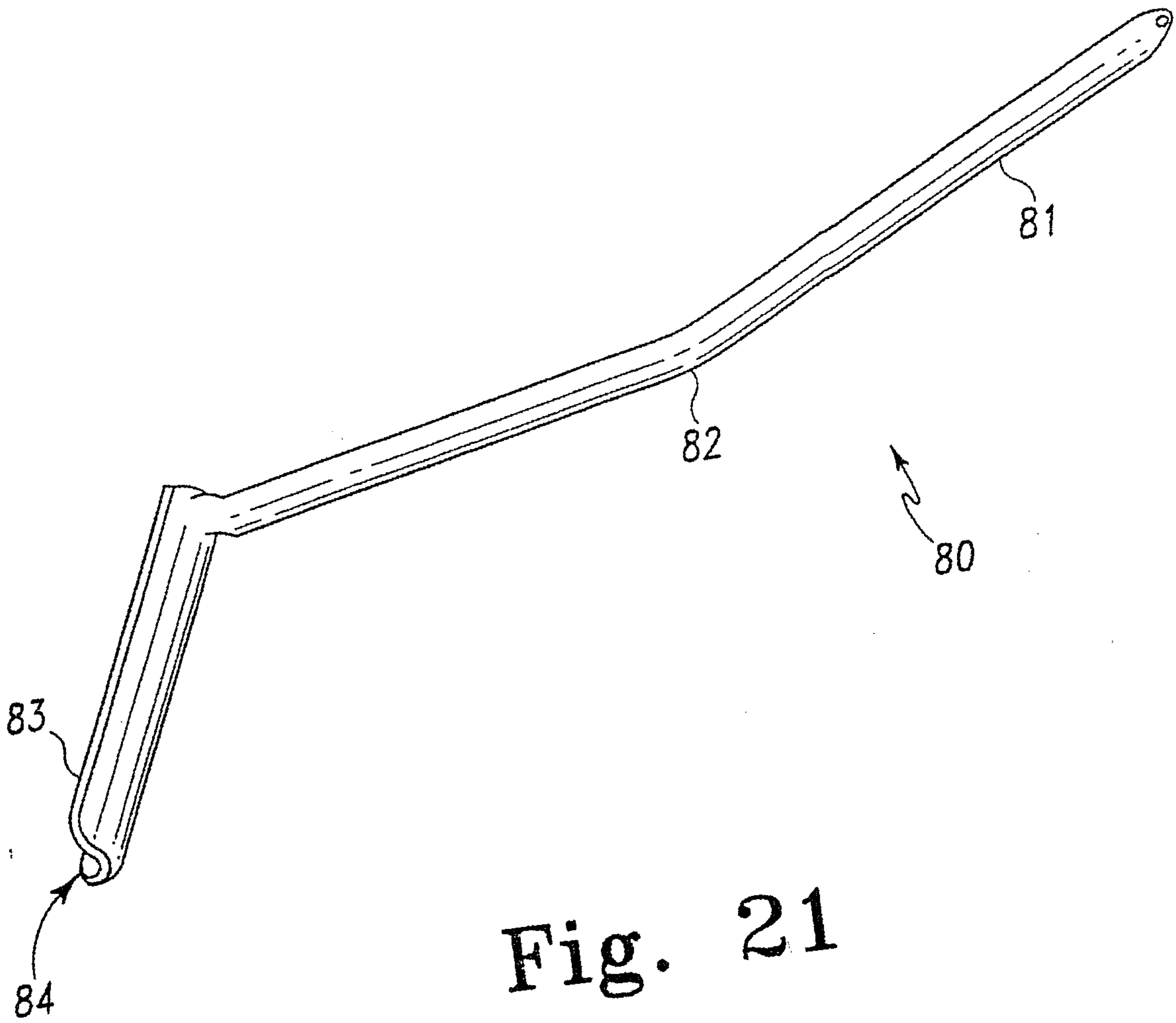


Fig. 21

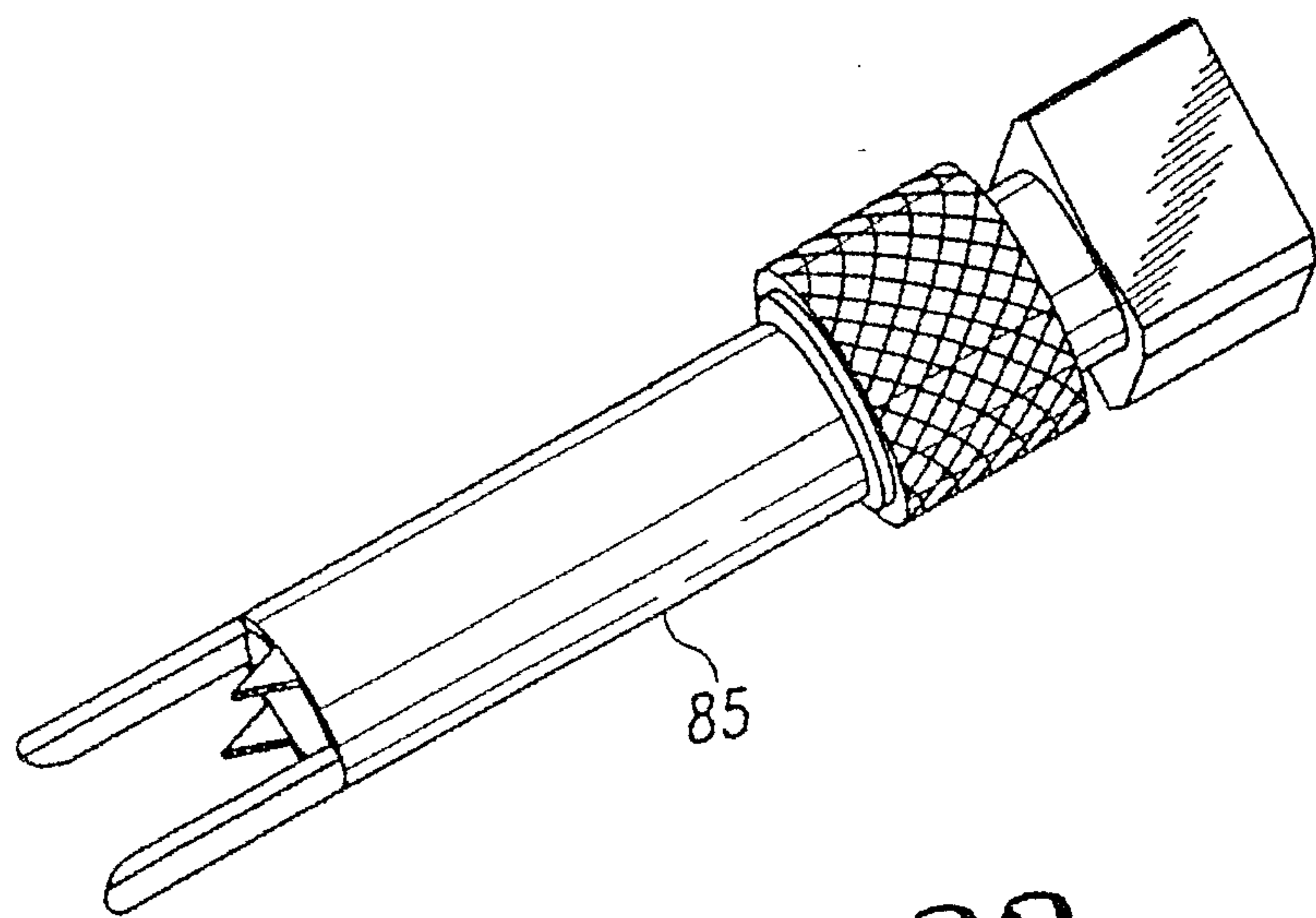


Fig. 22



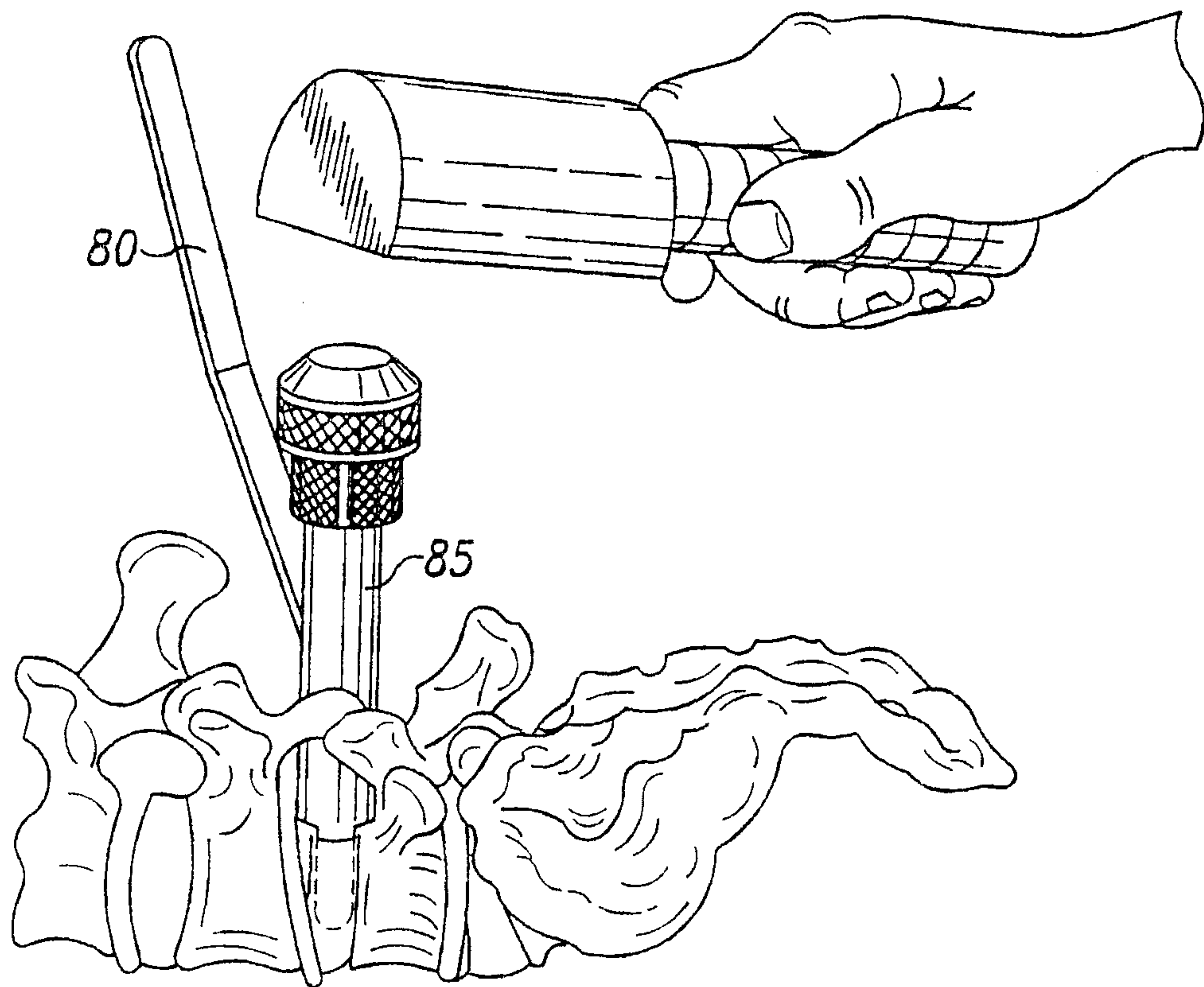
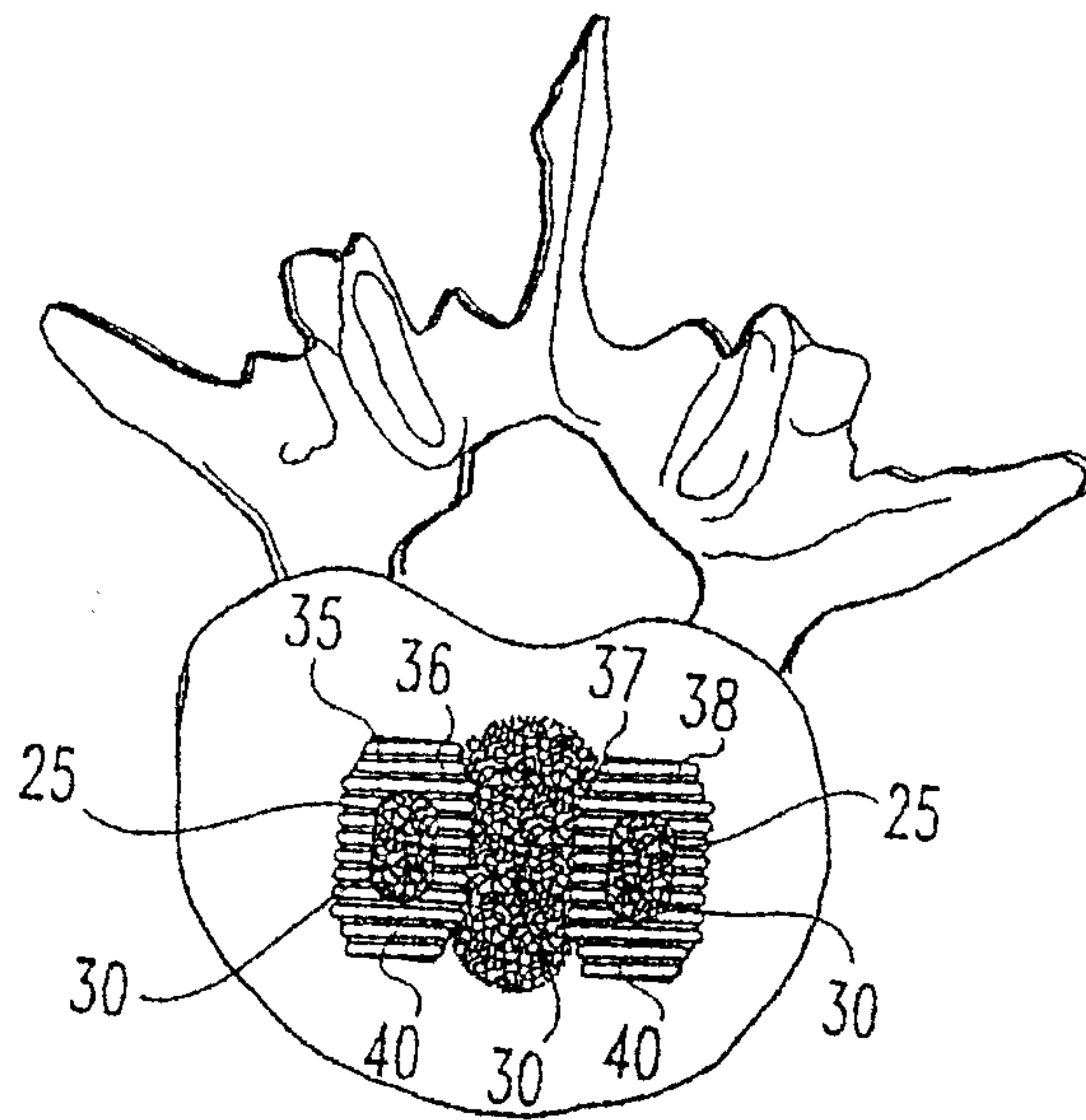
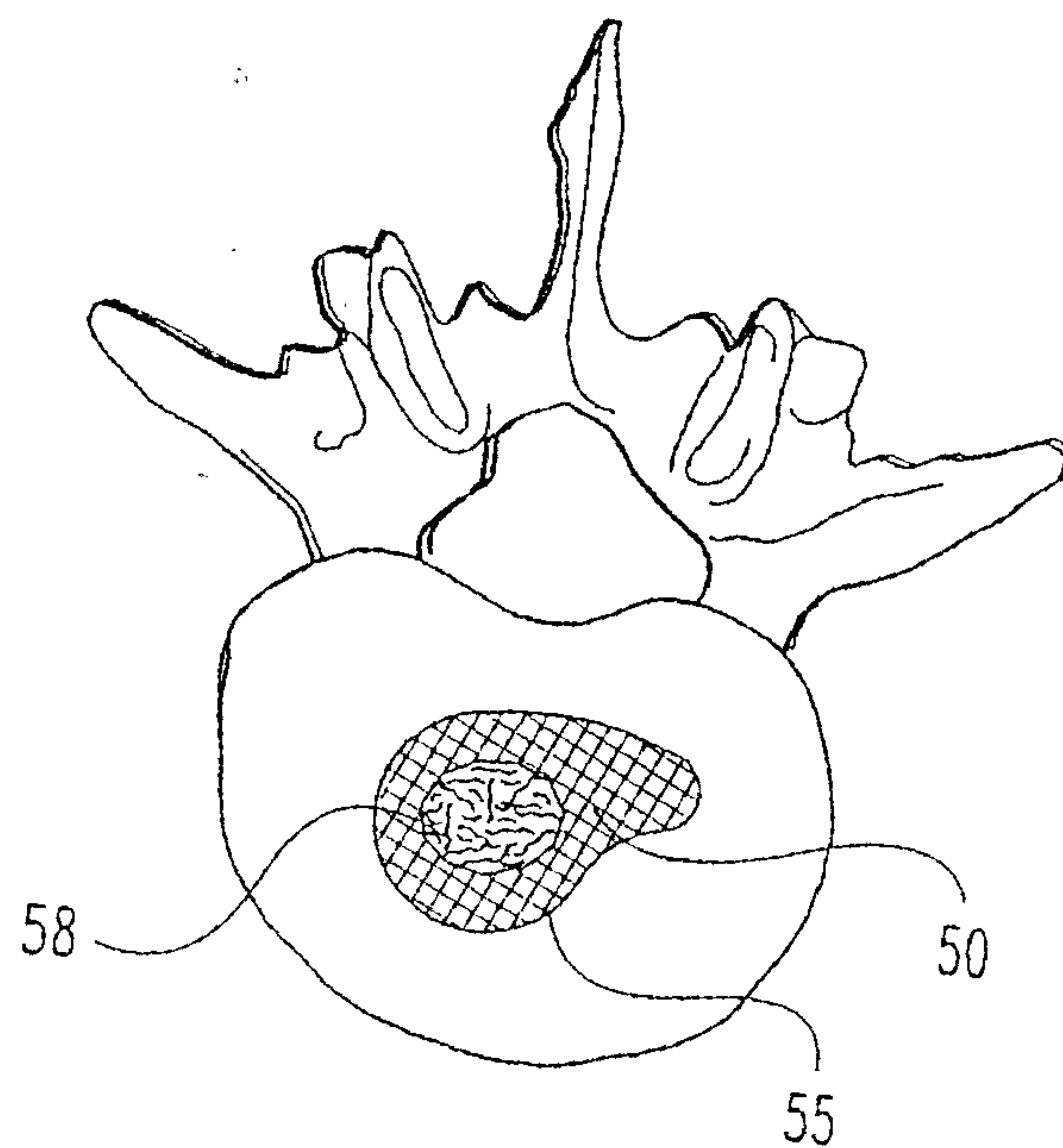


Fig. 23



**Fig. 24**



**Fig. 25**

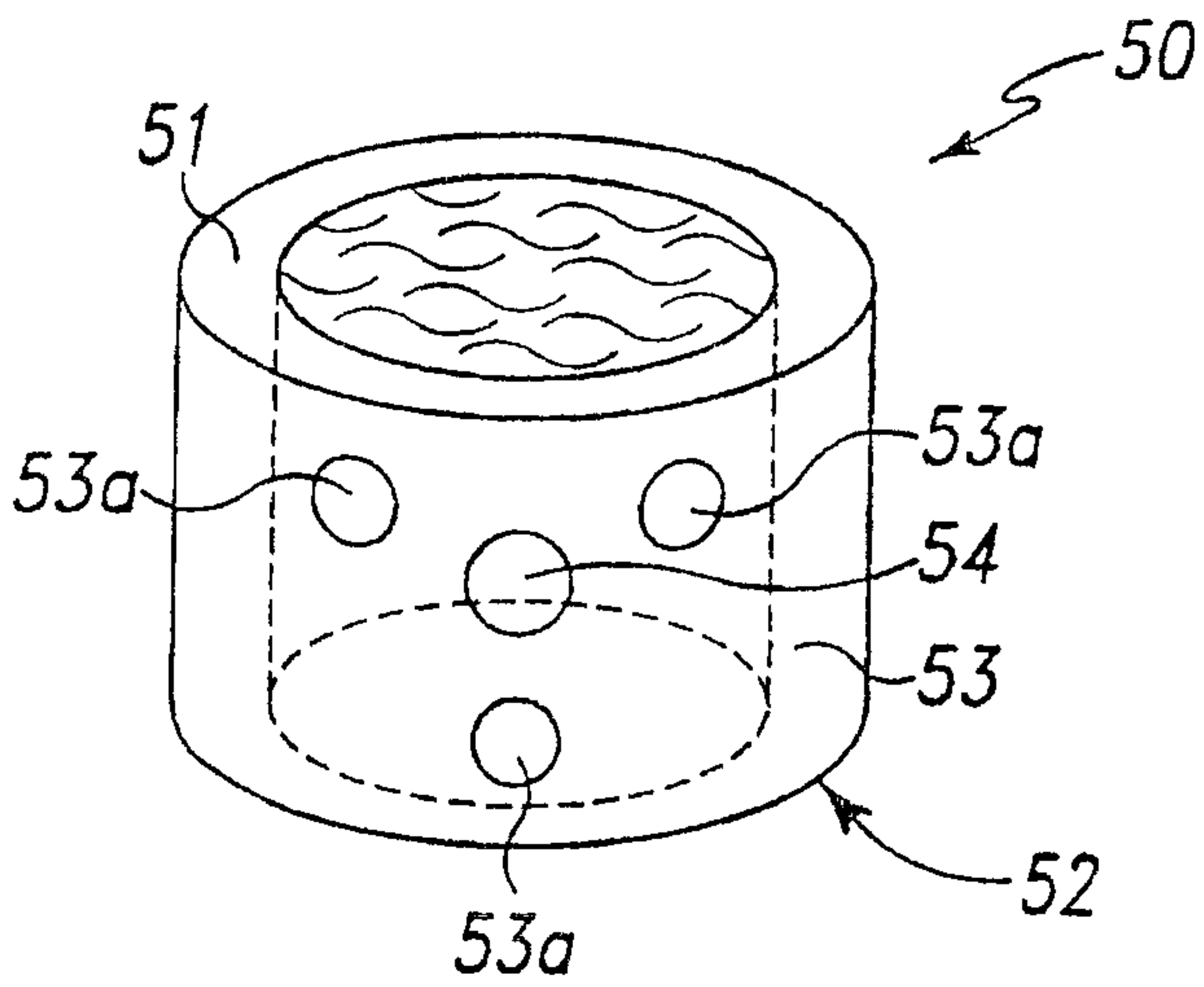


Fig. 26

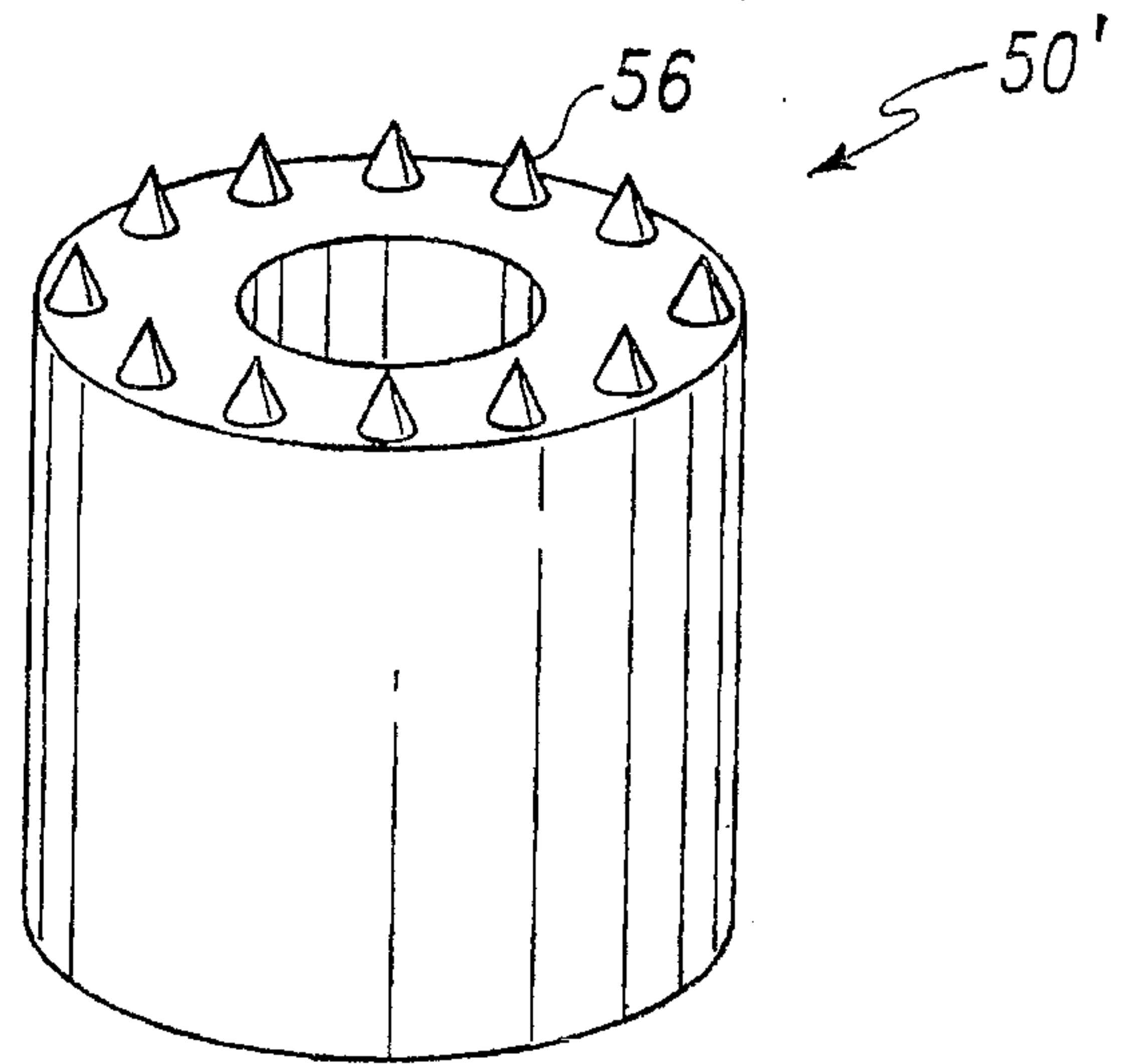


Fig. 27

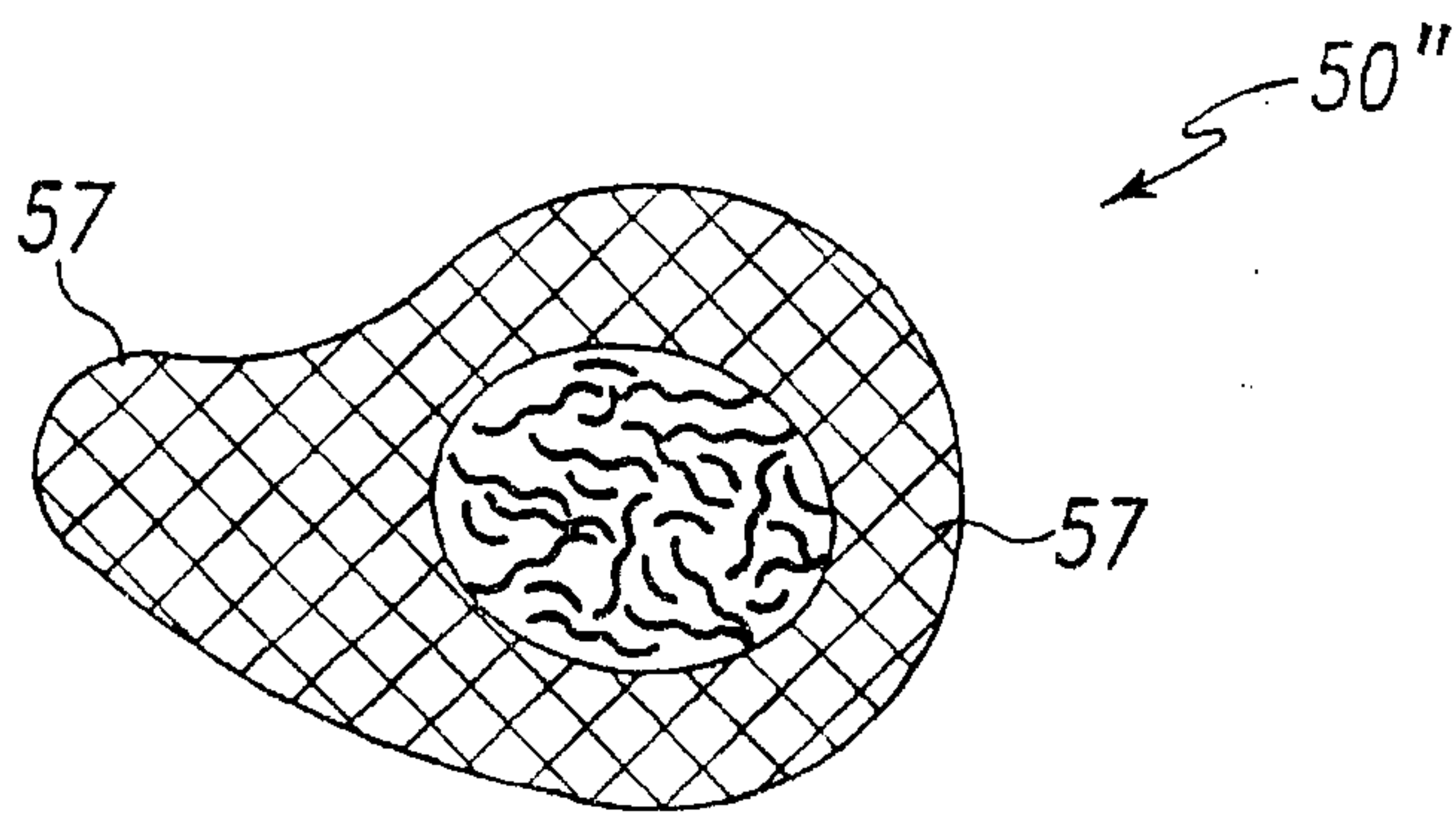
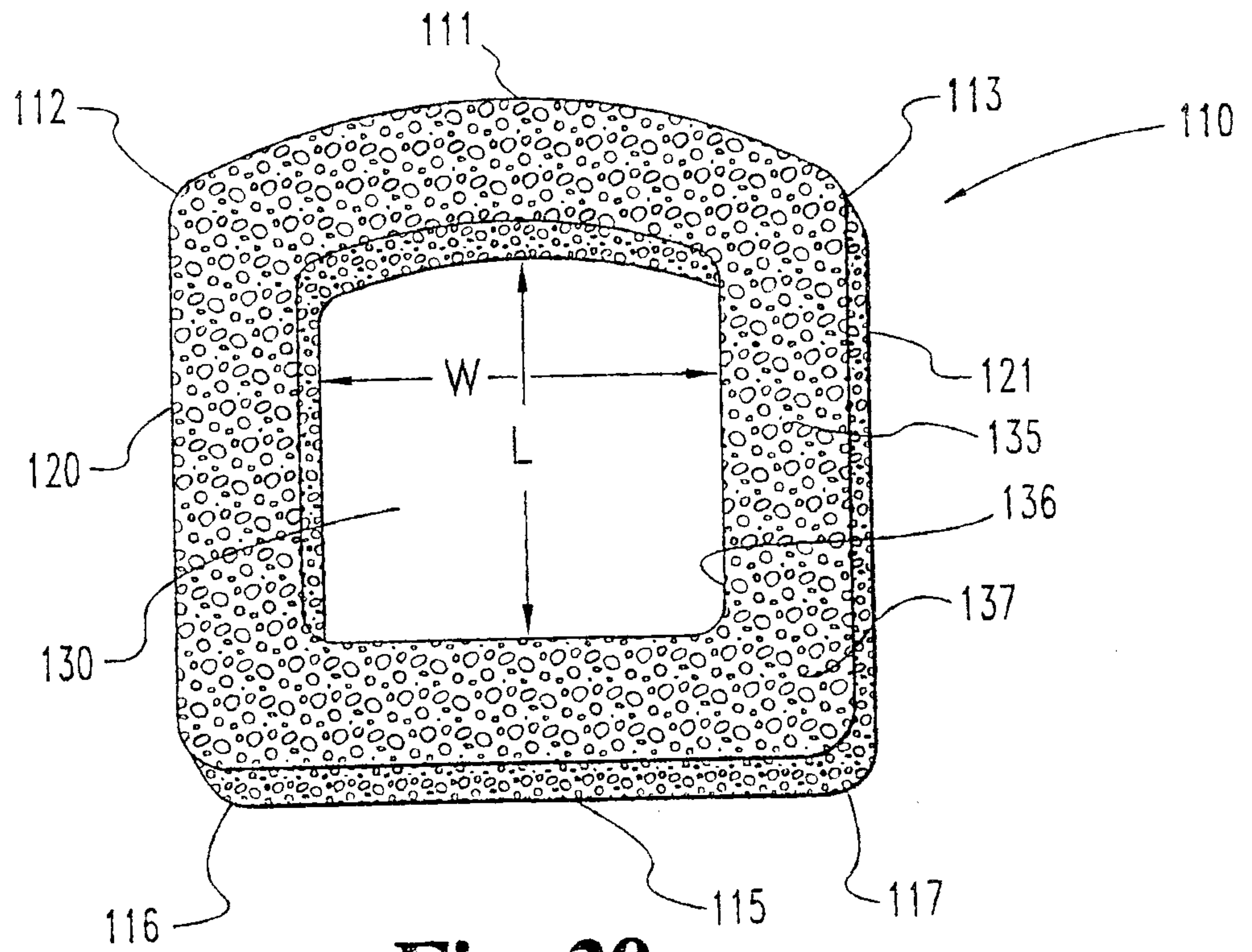
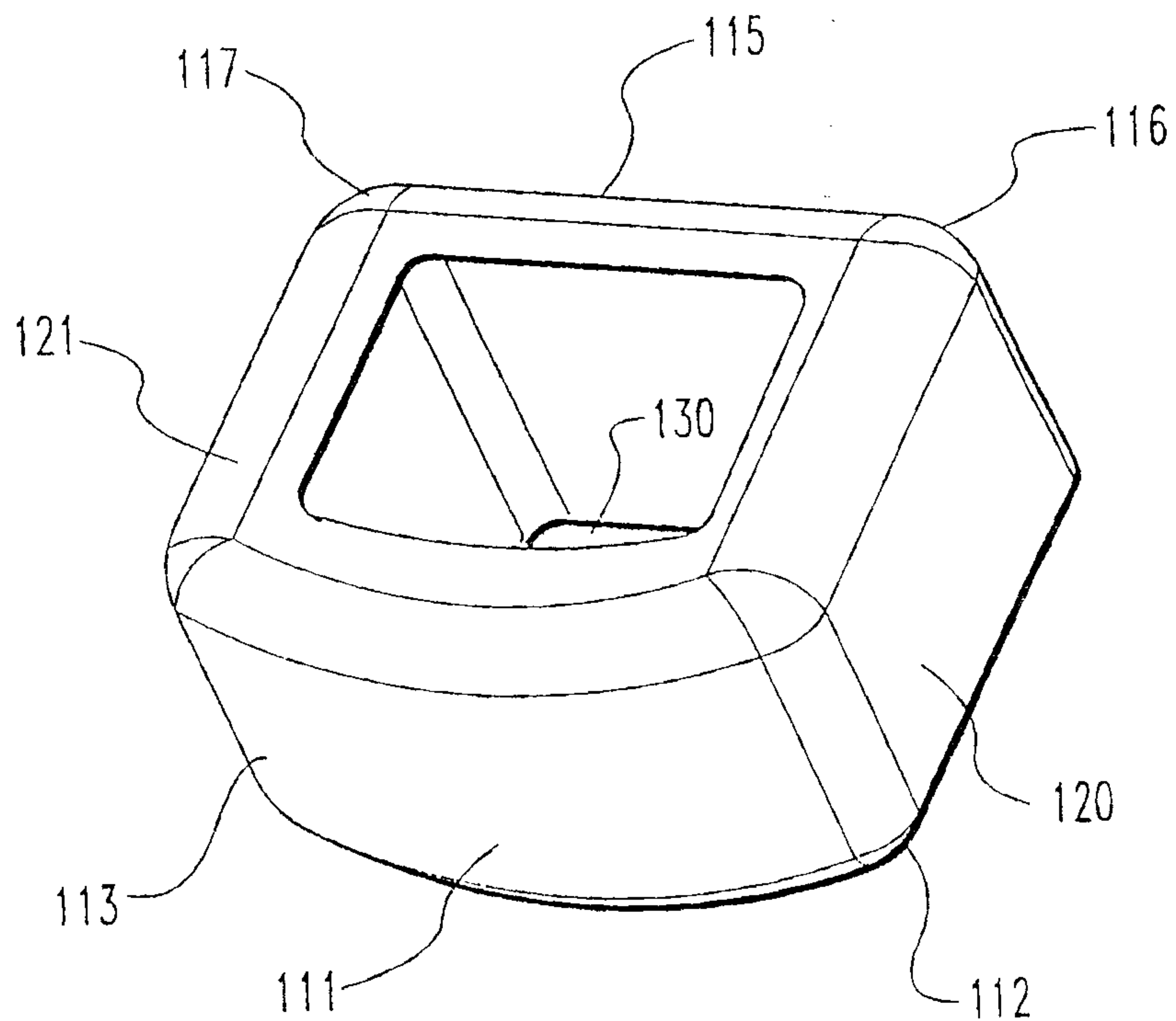


Fig. 28

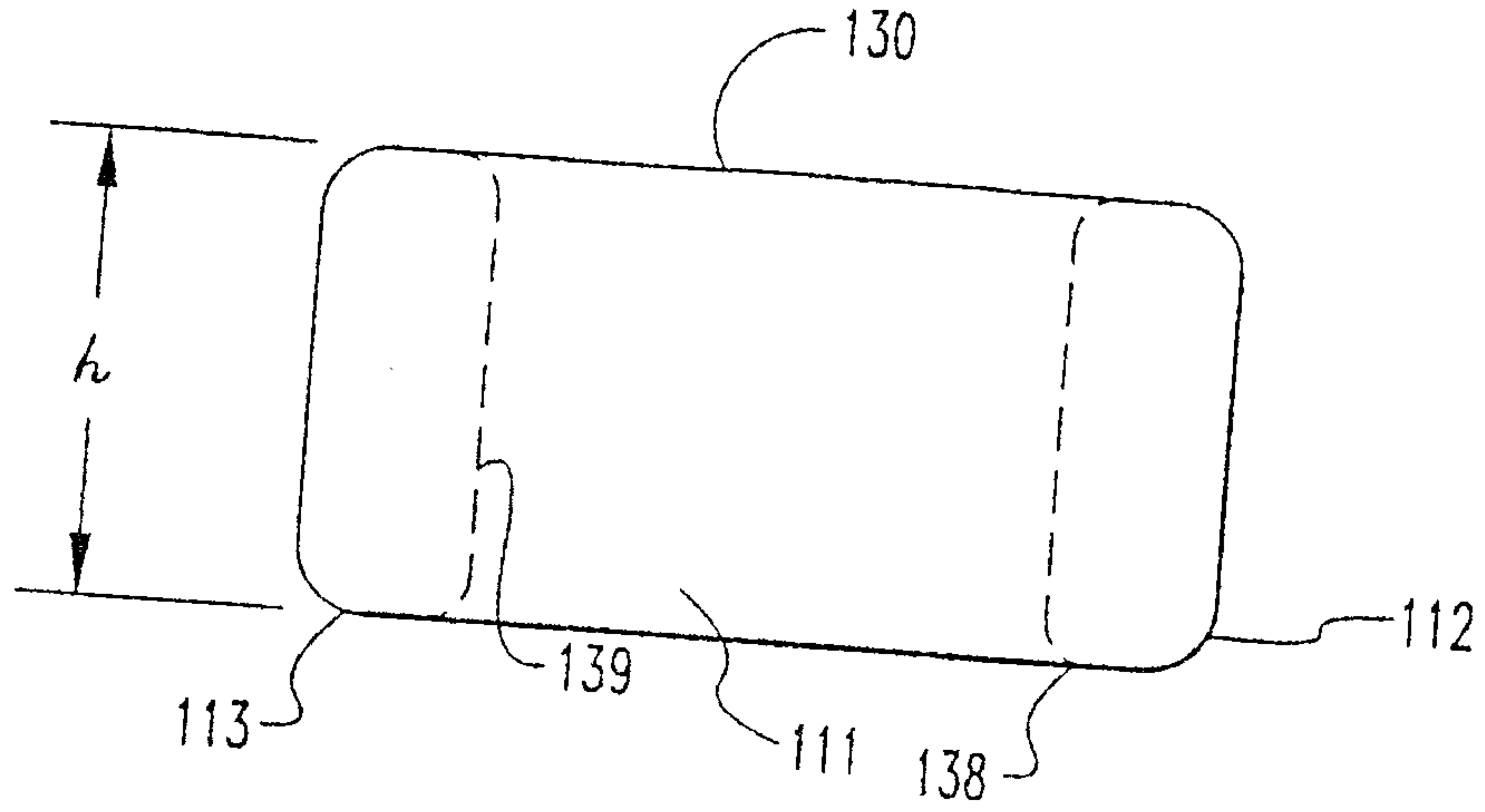




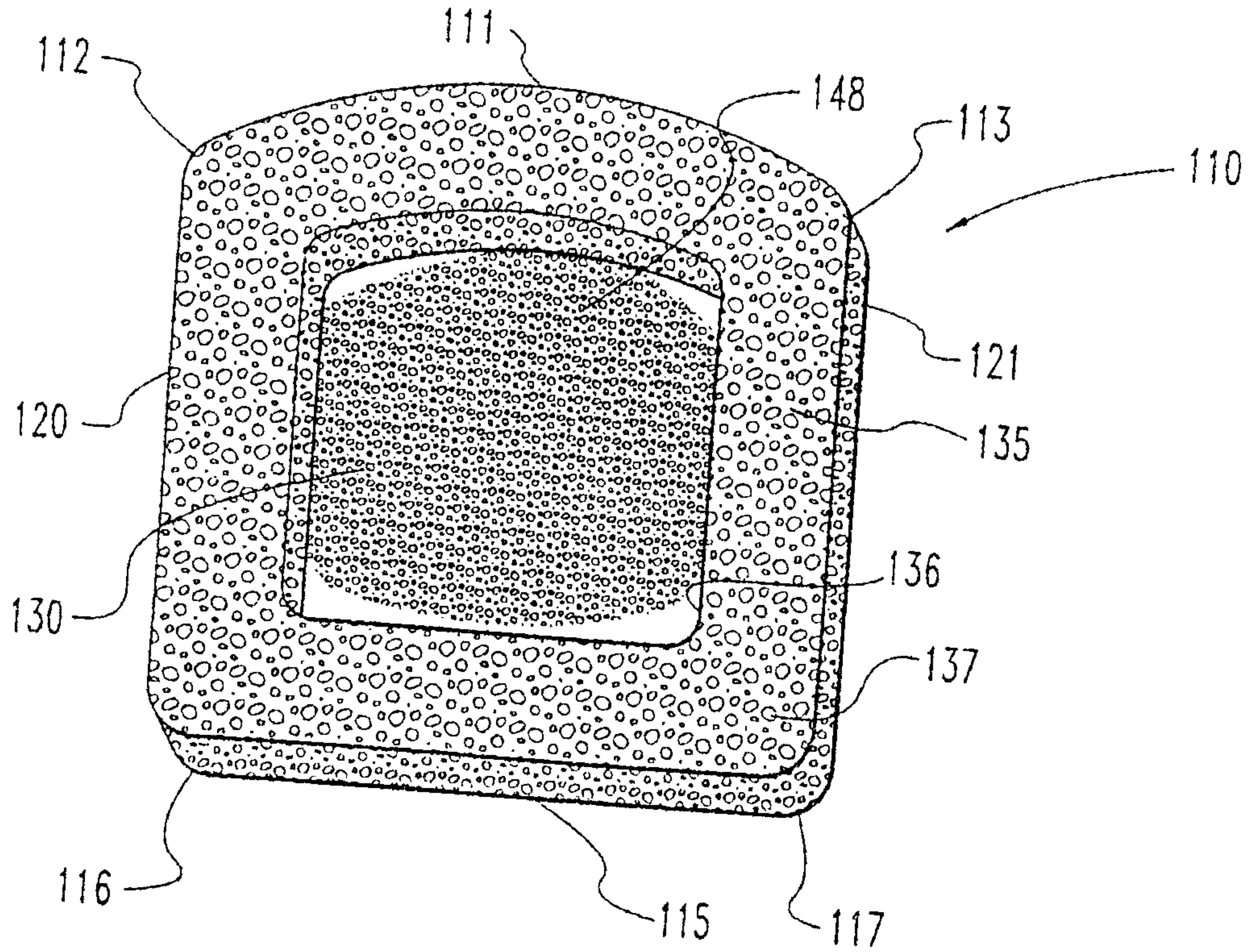
**Fig. 29**



**Fig. 30**



**Fig. 31**



**Fig. 32**

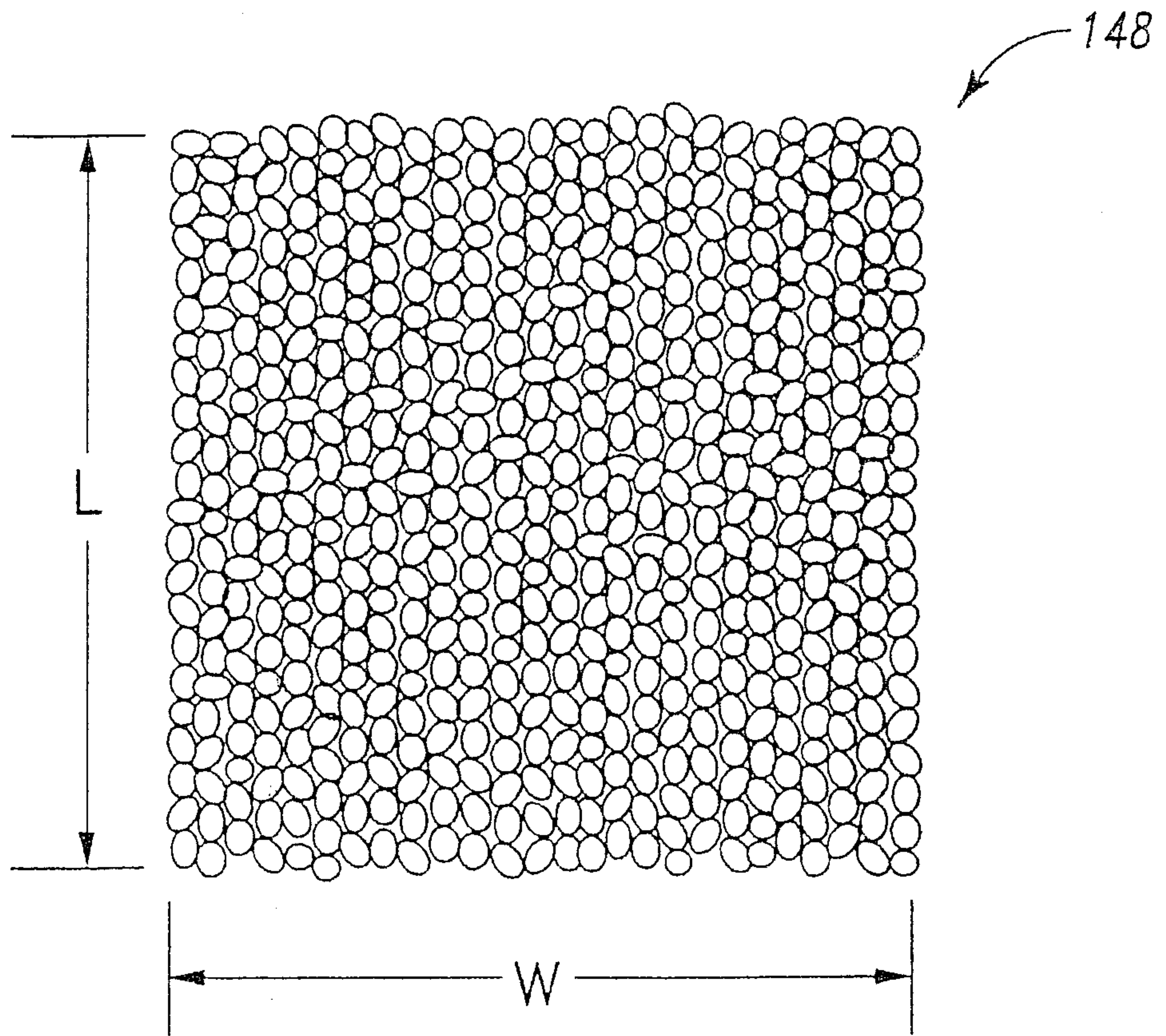
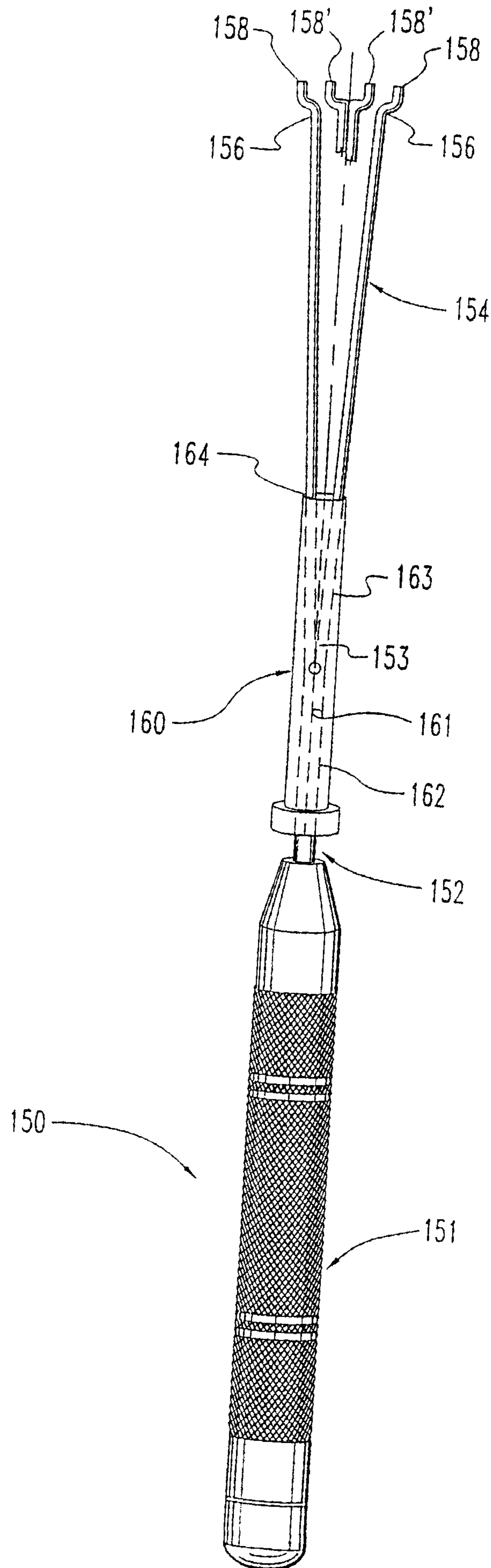


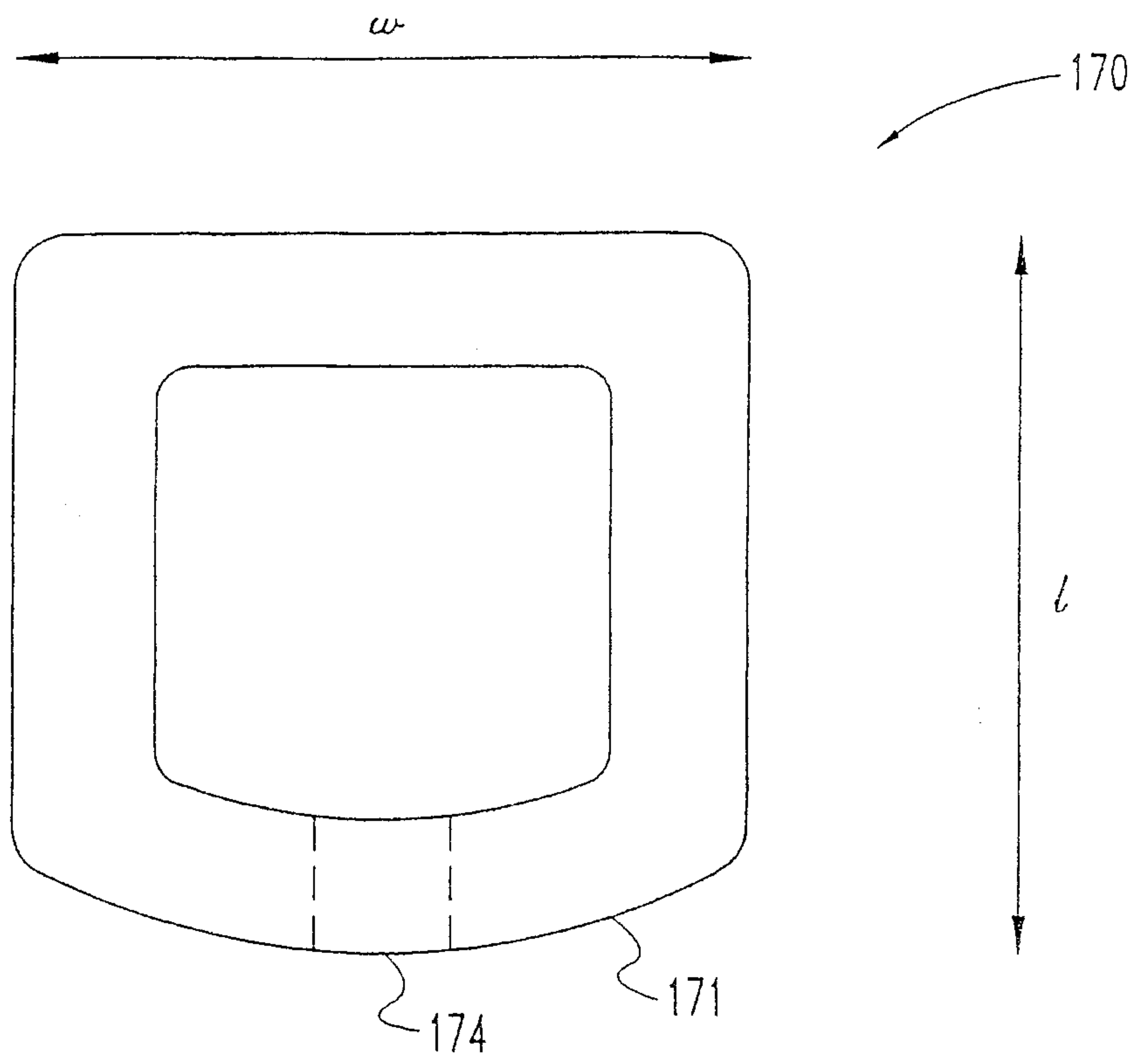
Fig. 33



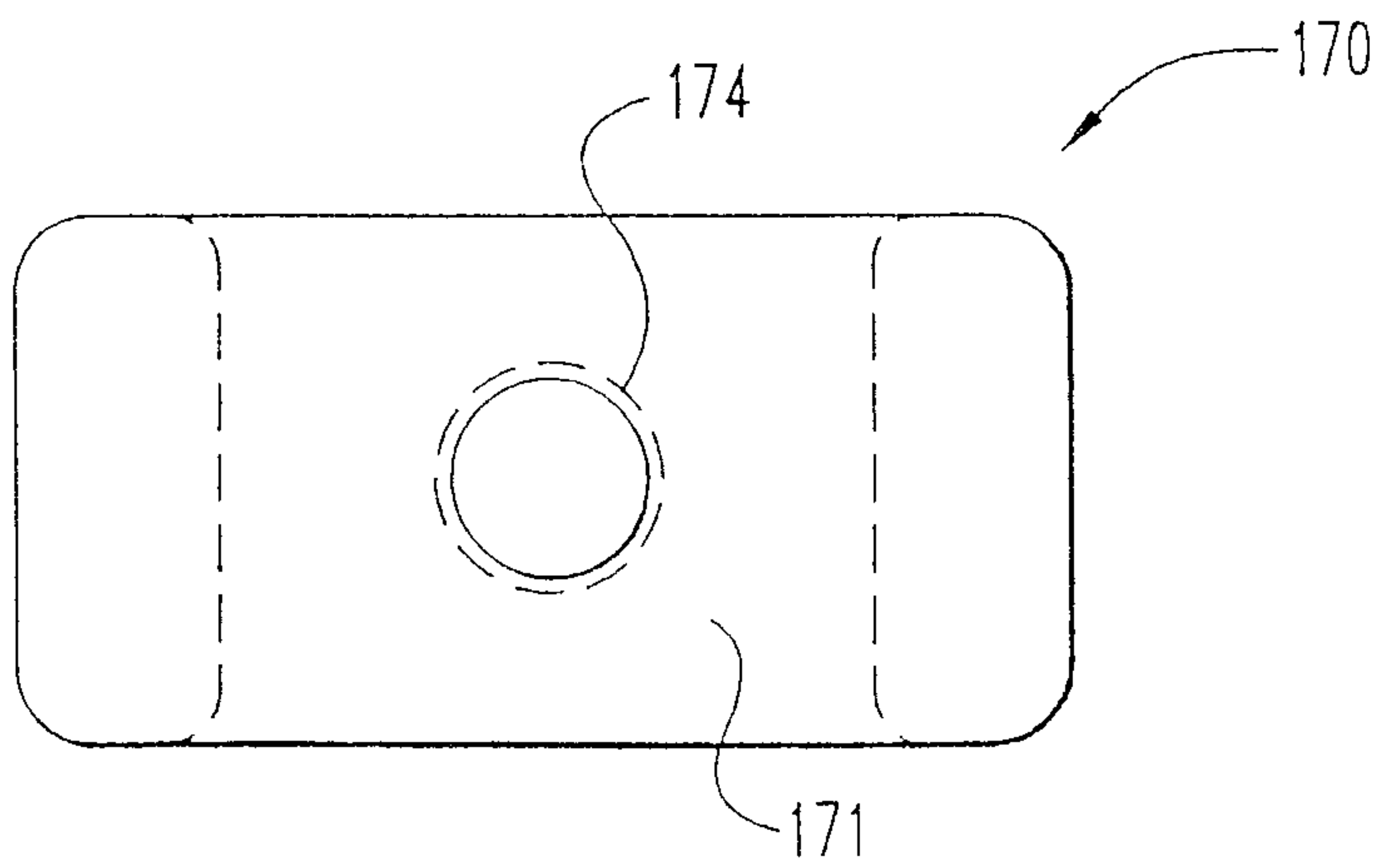


**Fig. 34**

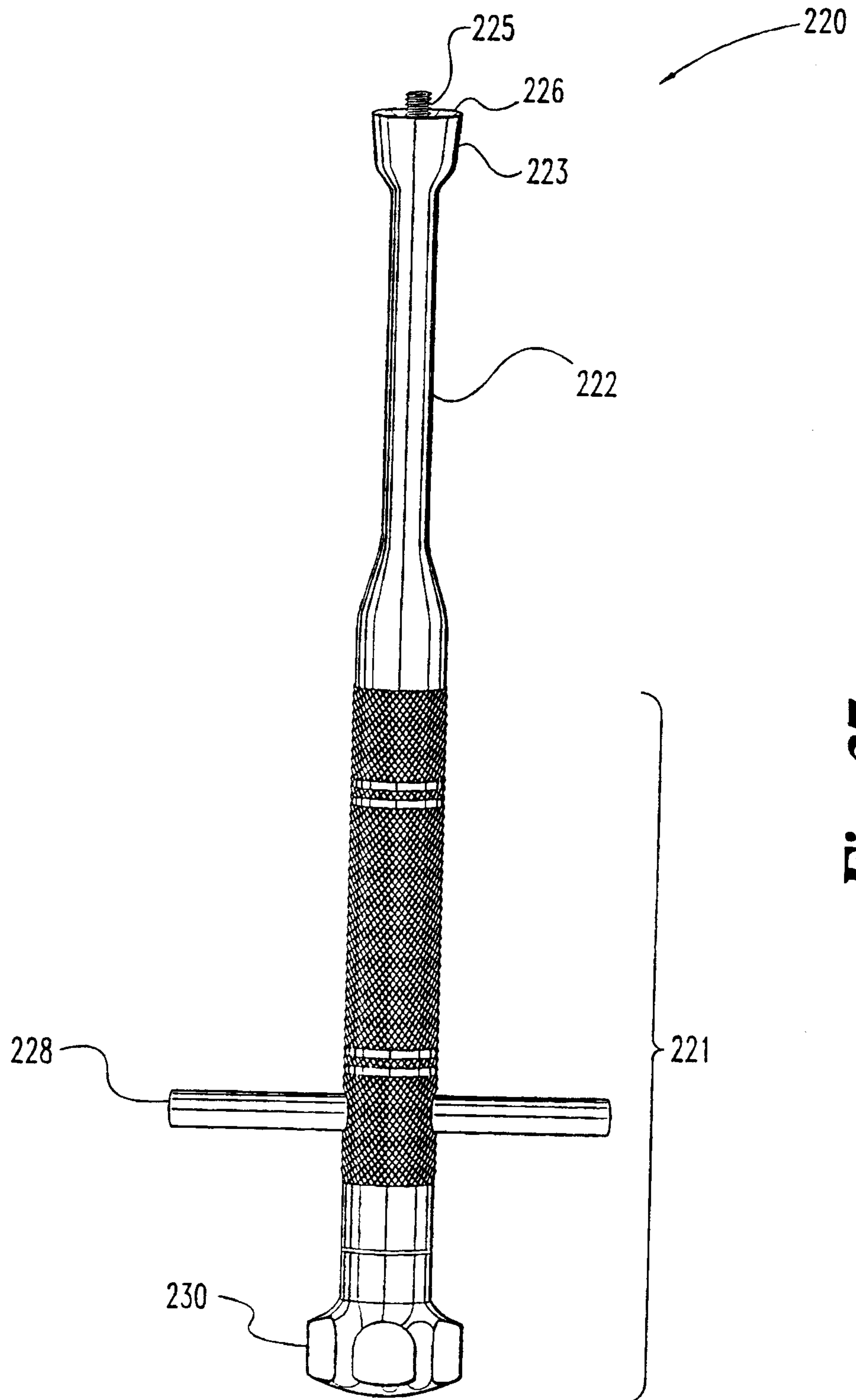
27/40



**Fig. 35**

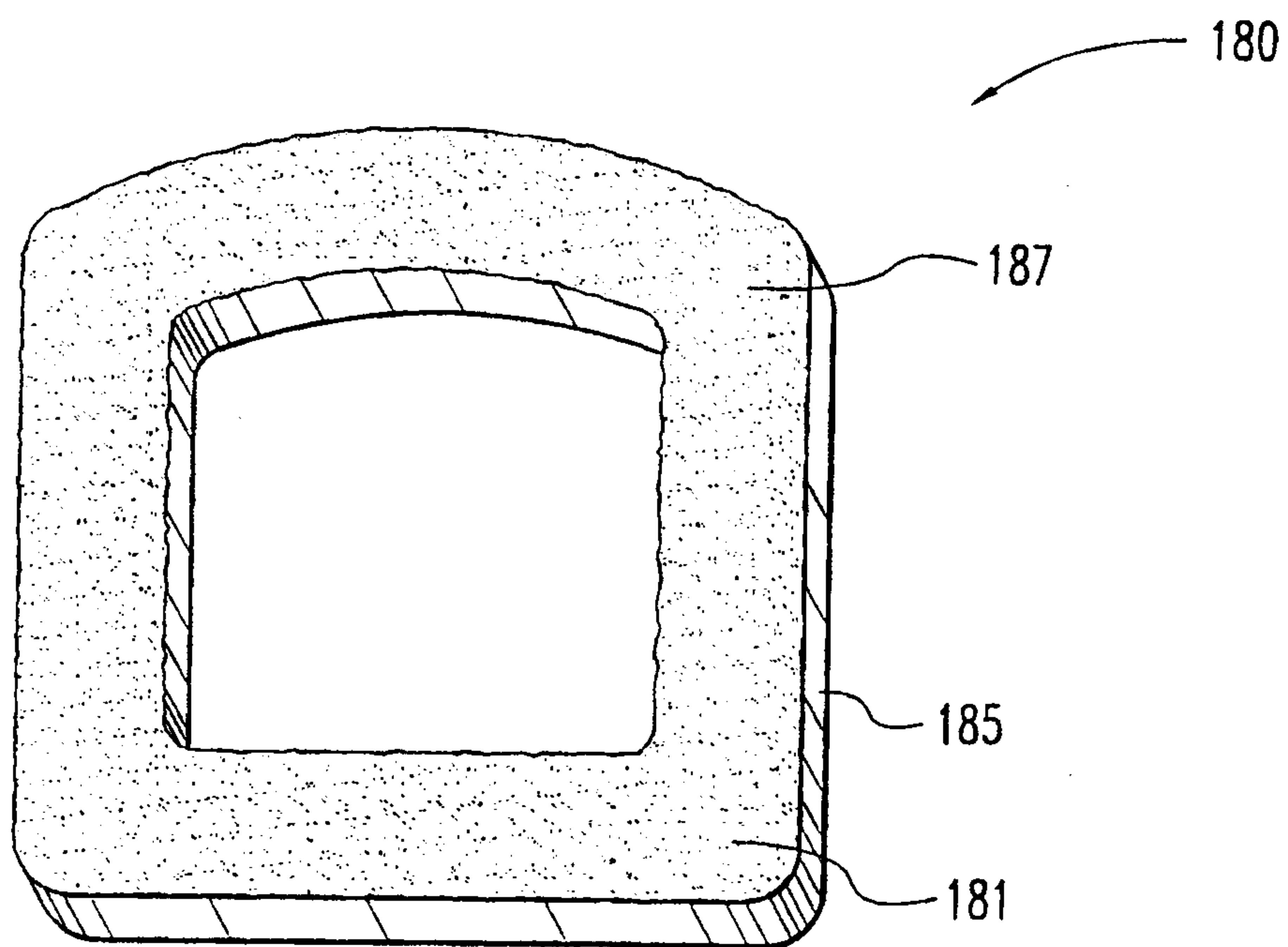


**Fig. 36**

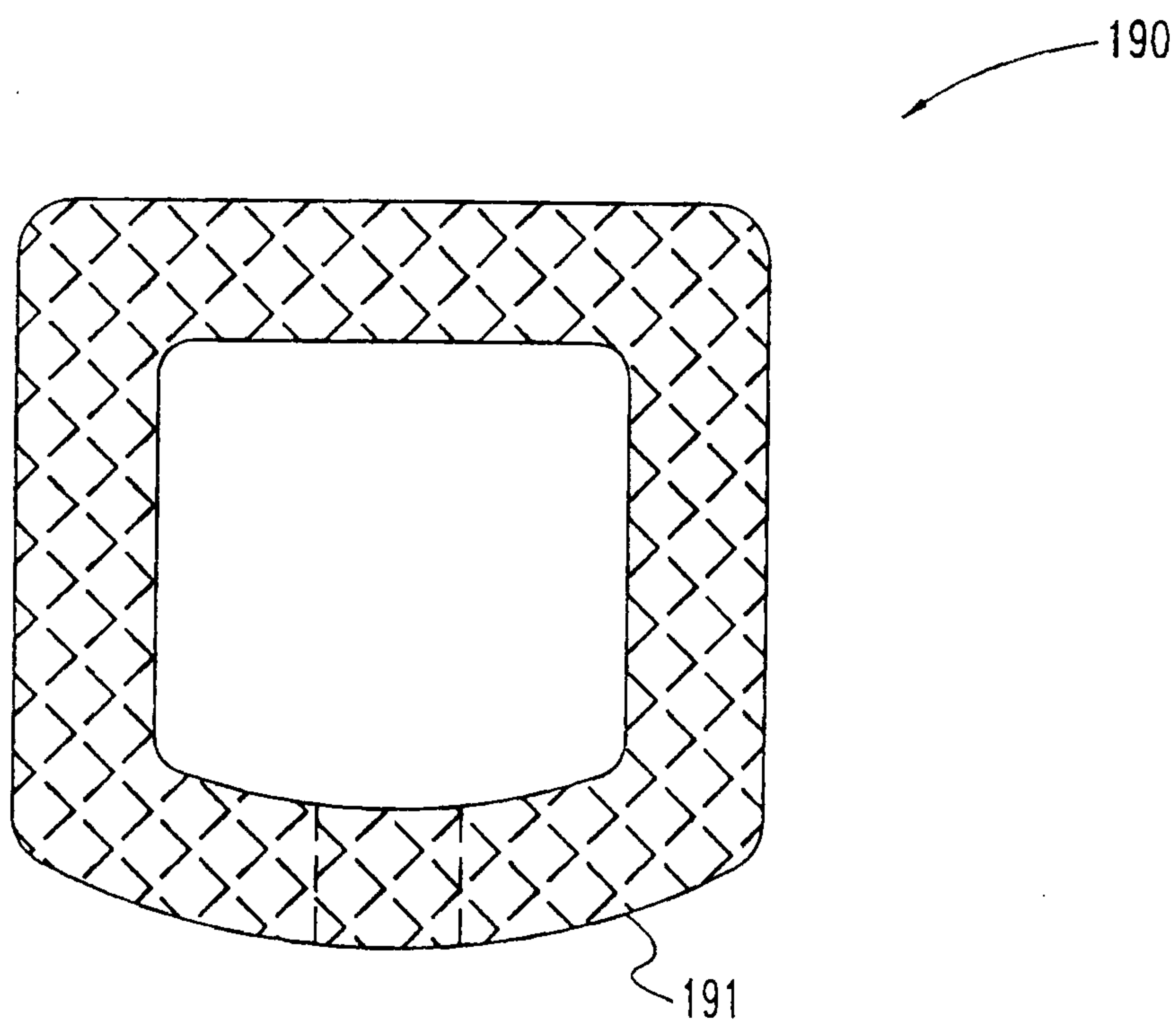


**Fig. 37**

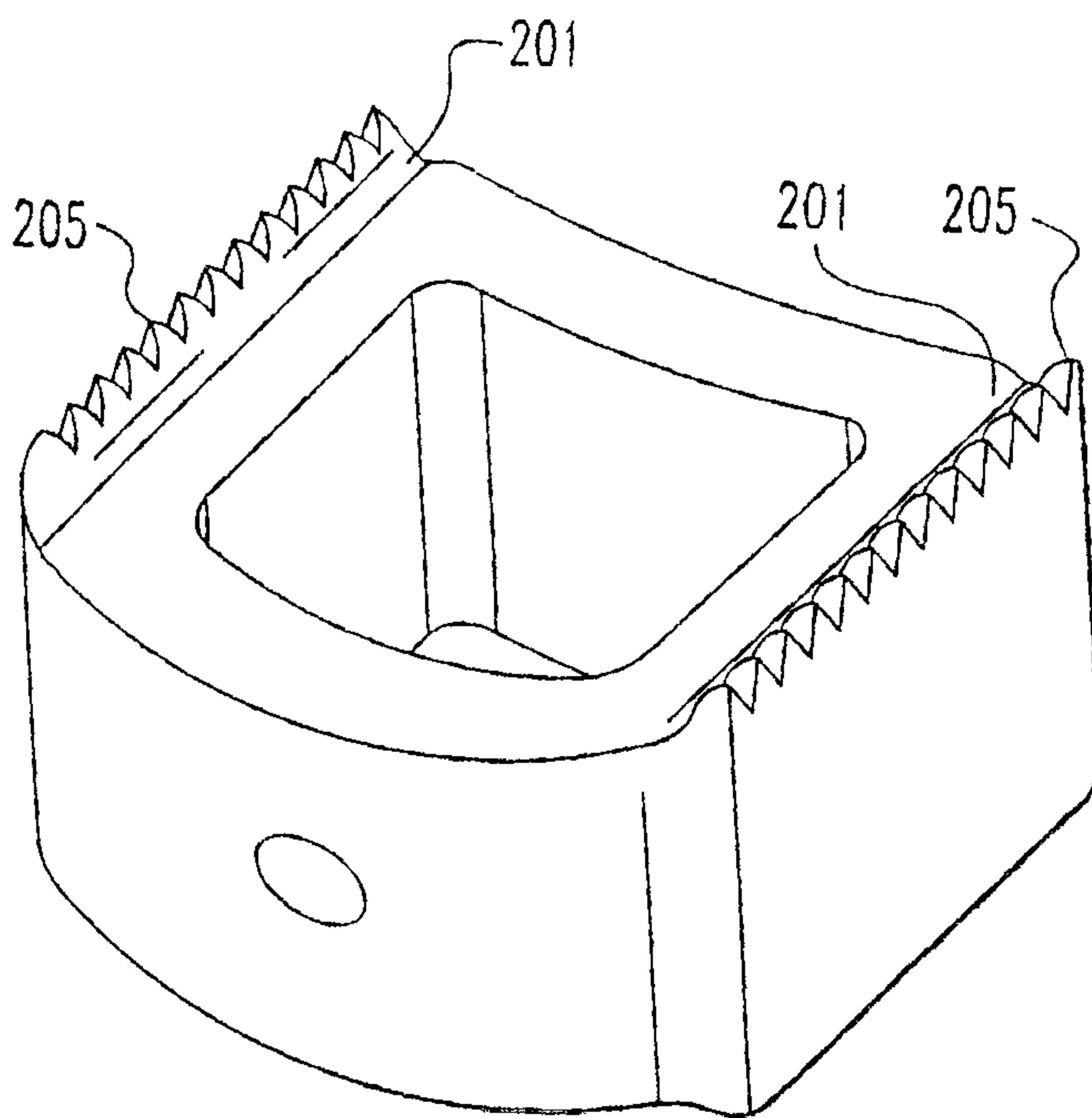




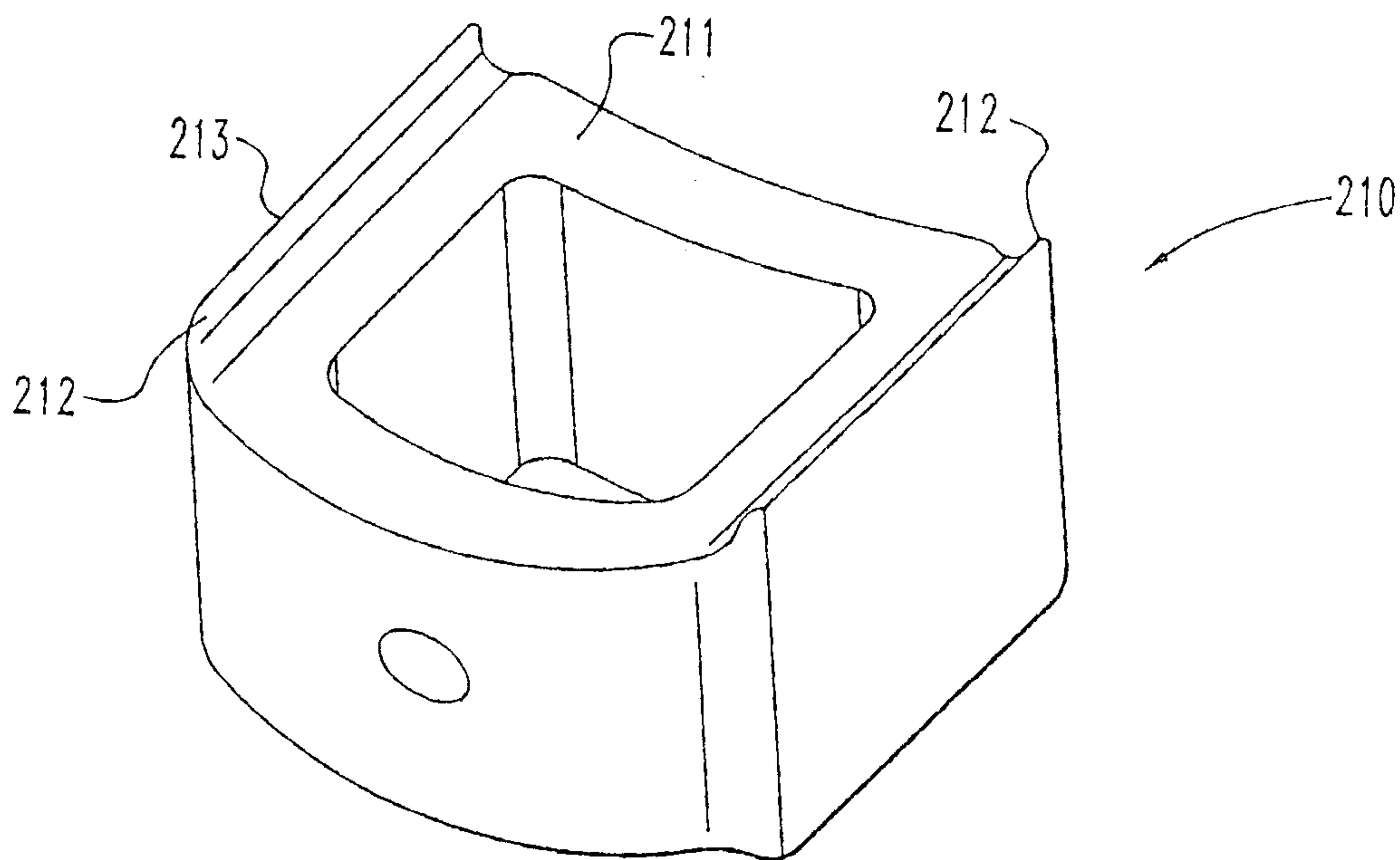
**Fig. 38**



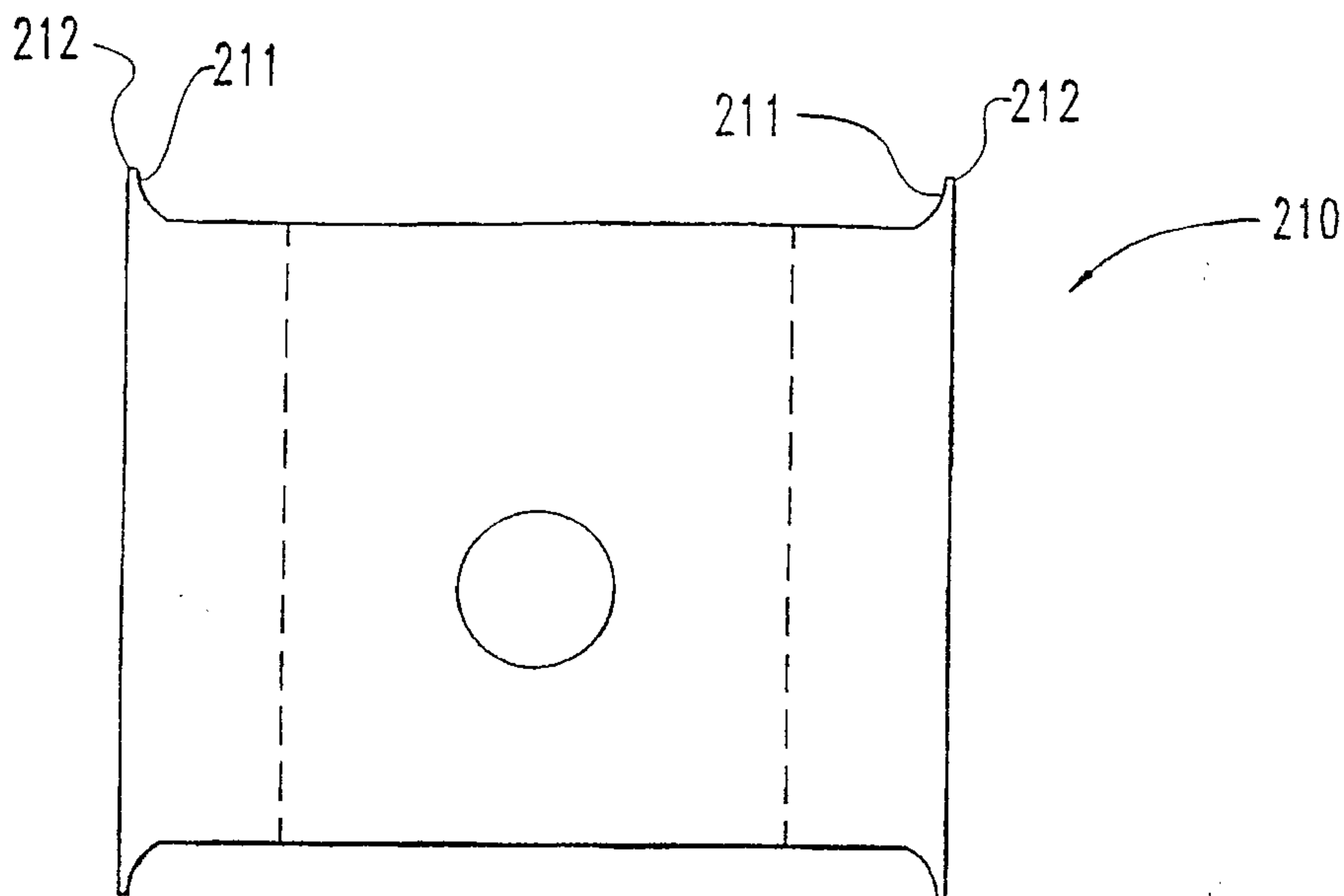
**Fig. 39**



**Fig. 40**



**Fig. 41**



**Fig. 42**



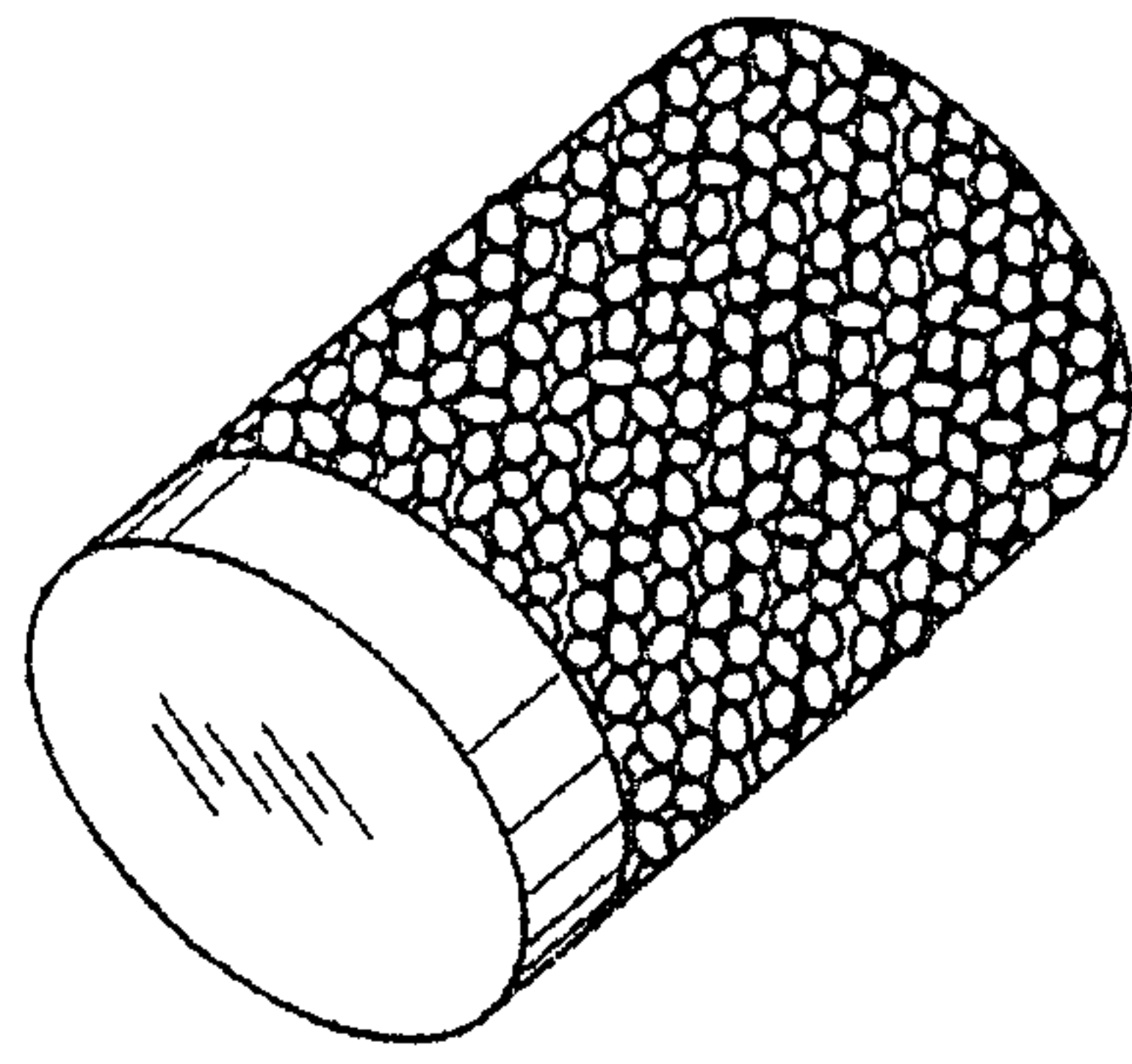


Fig. 43

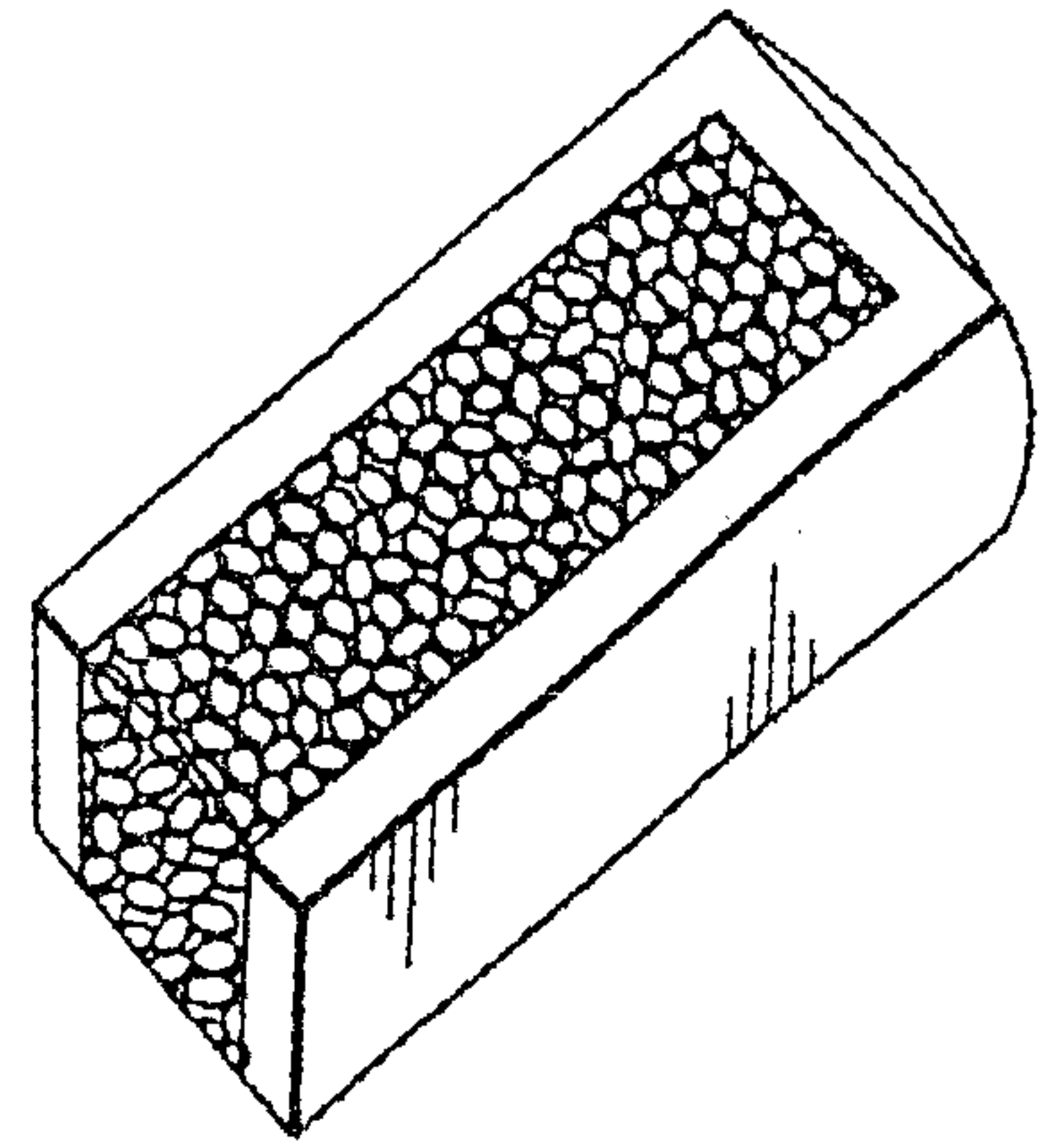


Fig. 44

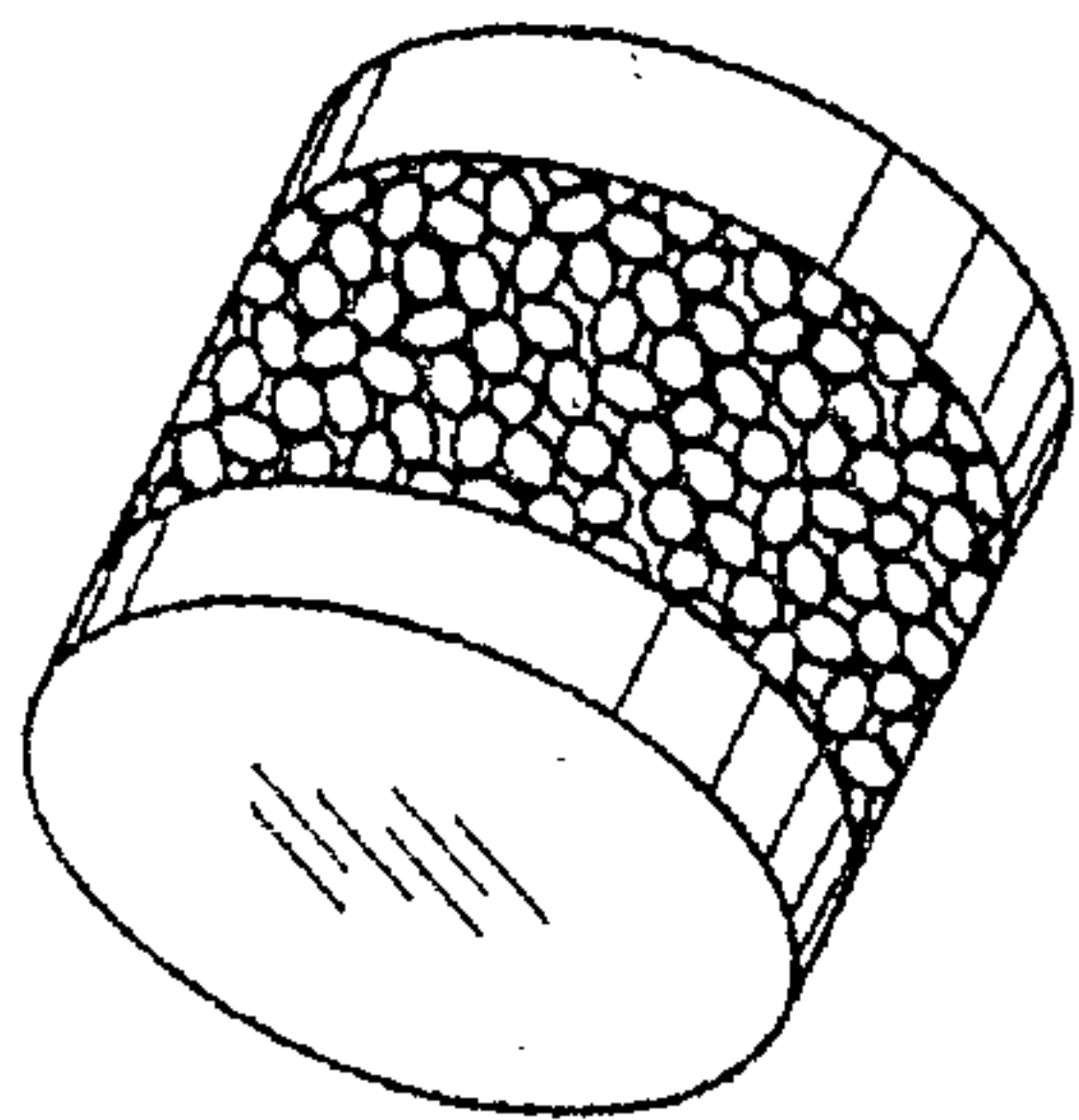


Fig. 45

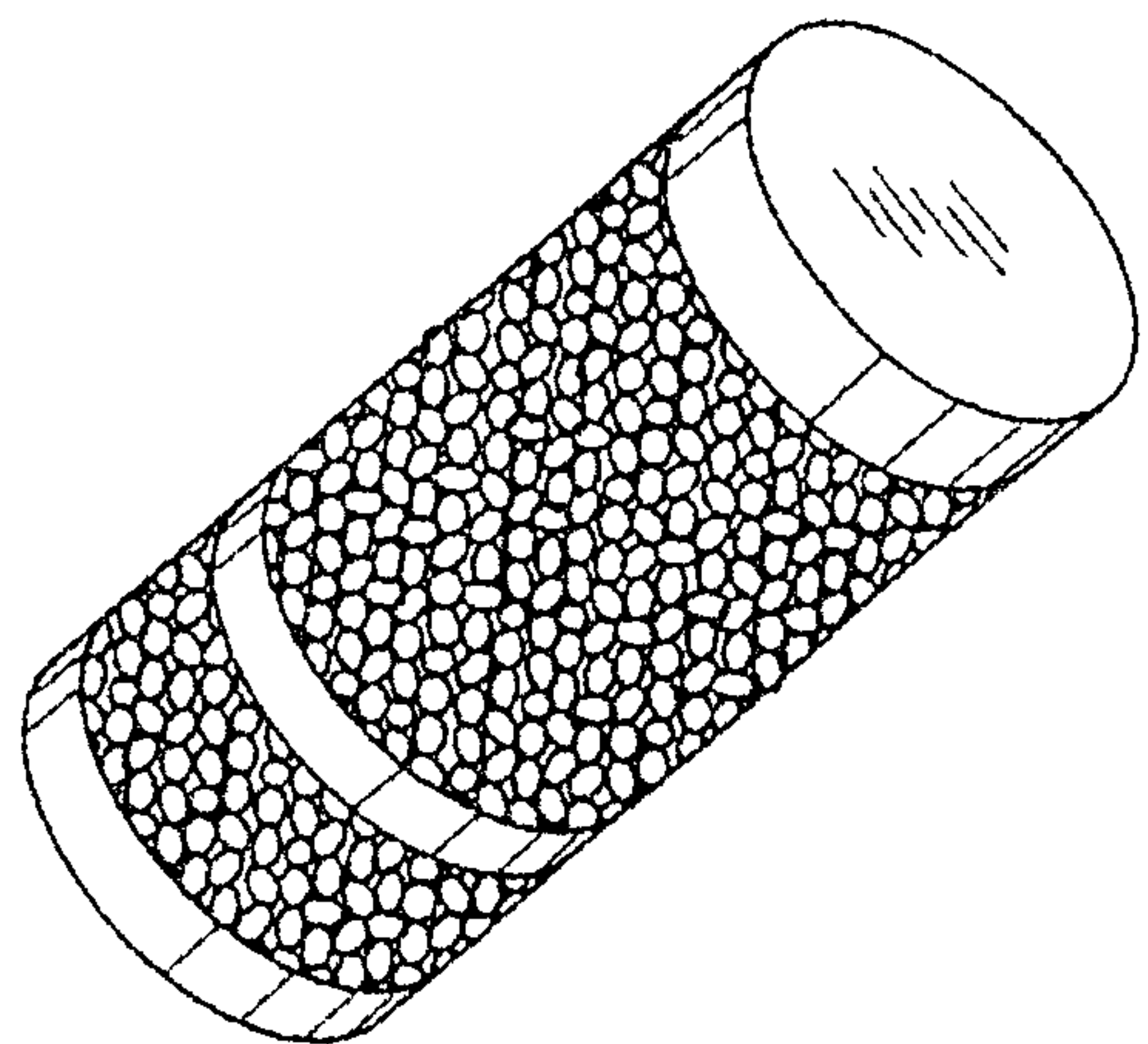


Fig. 46

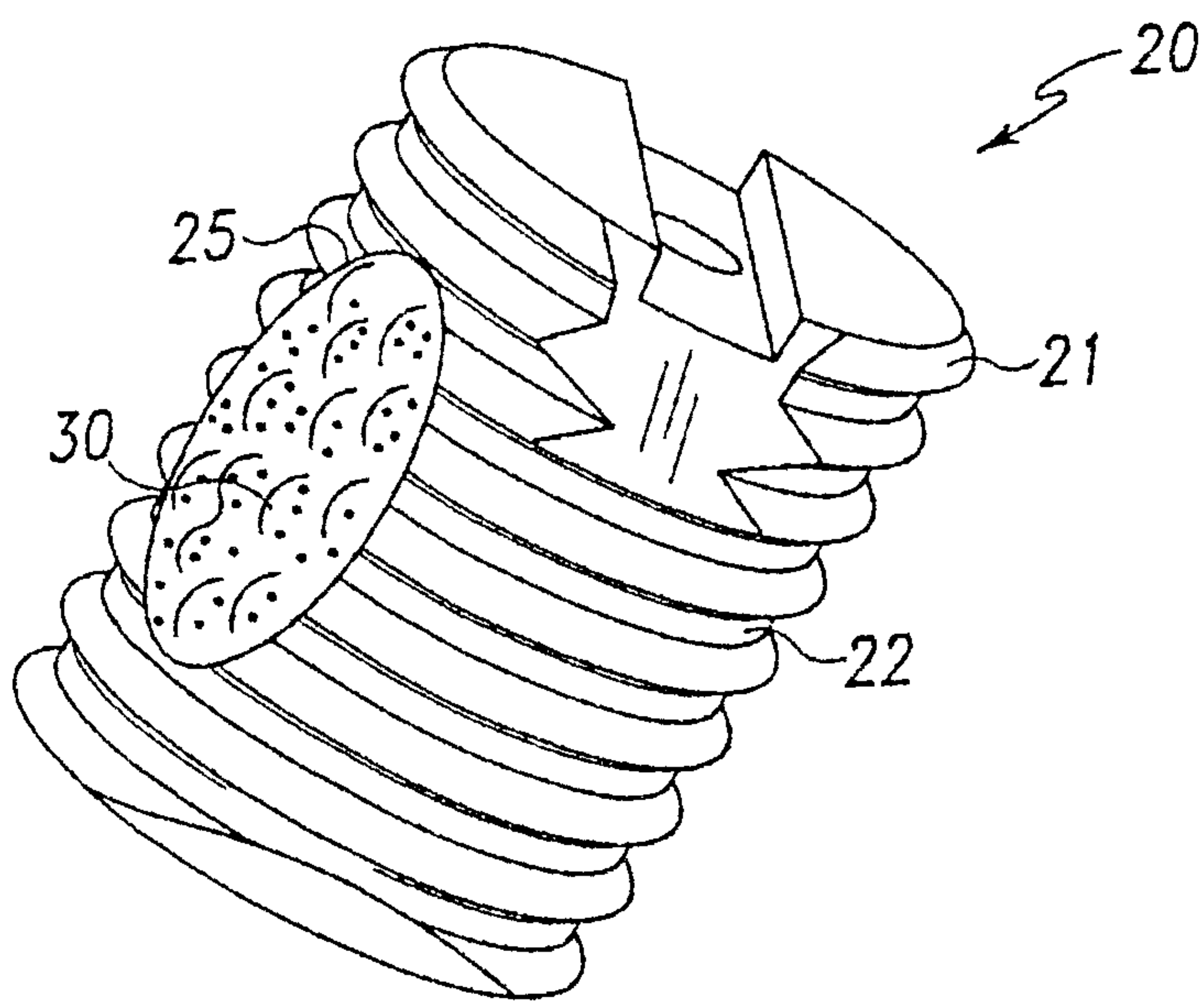


Fig. 47

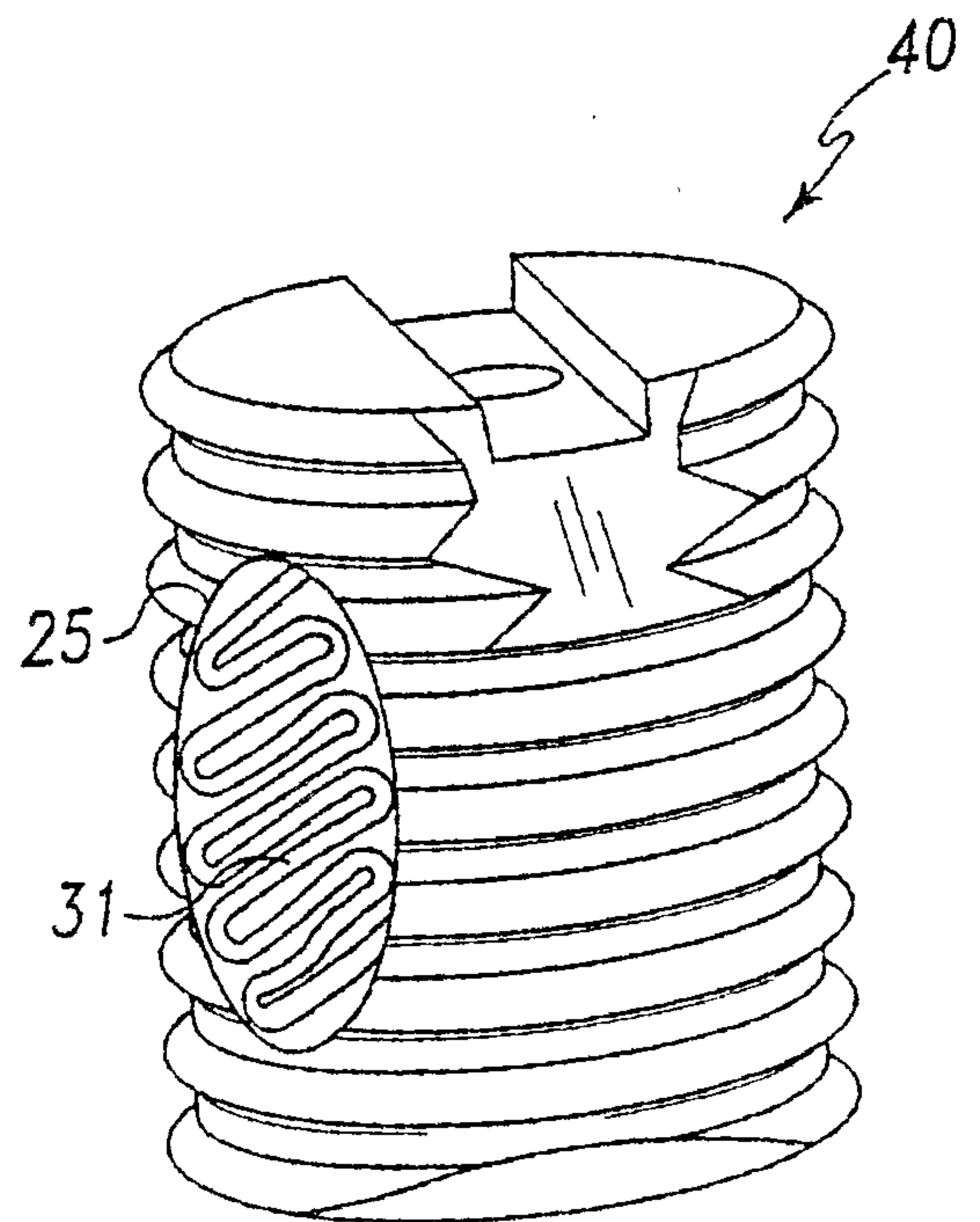


Fig. 48

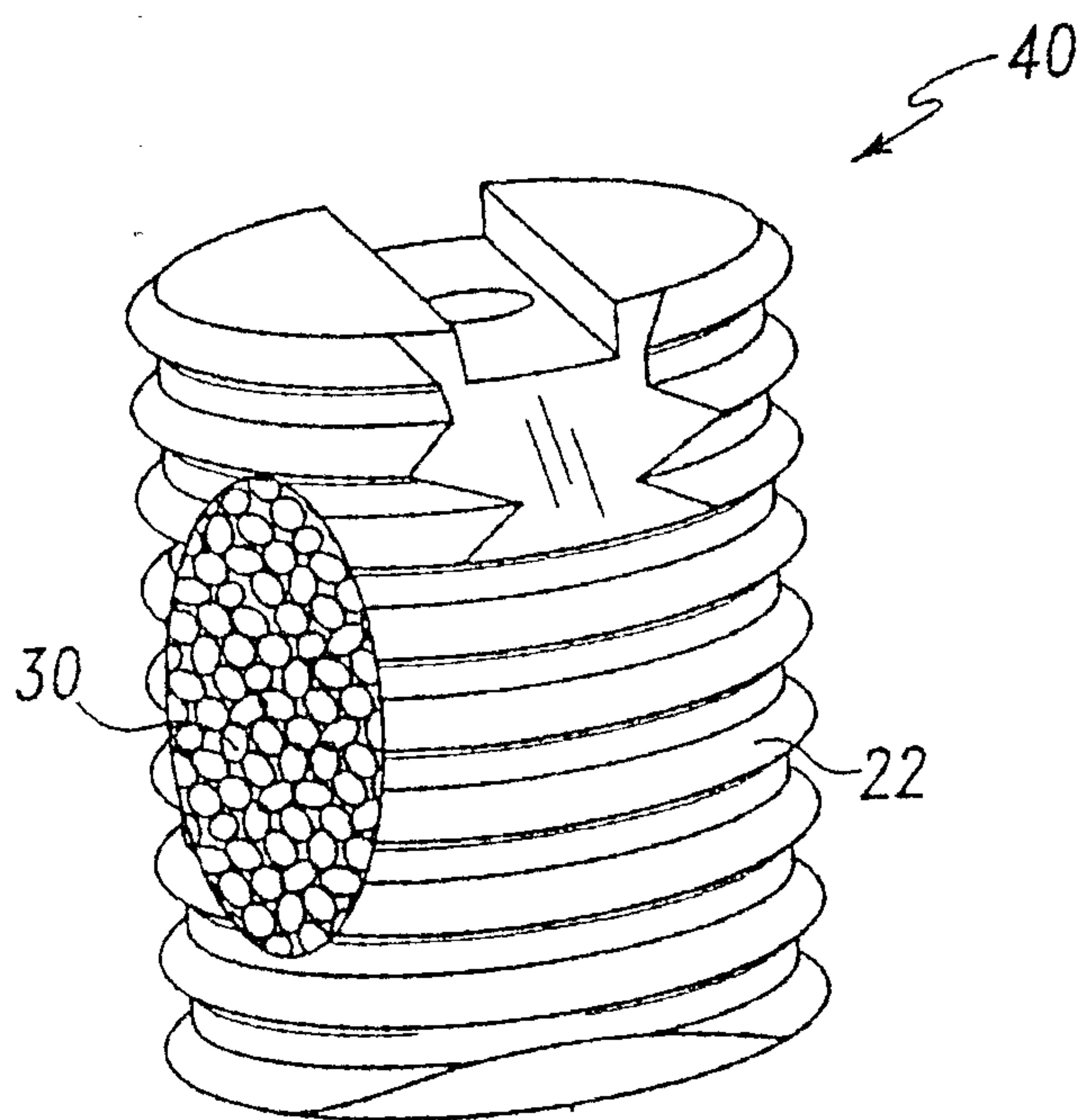


Fig. 49

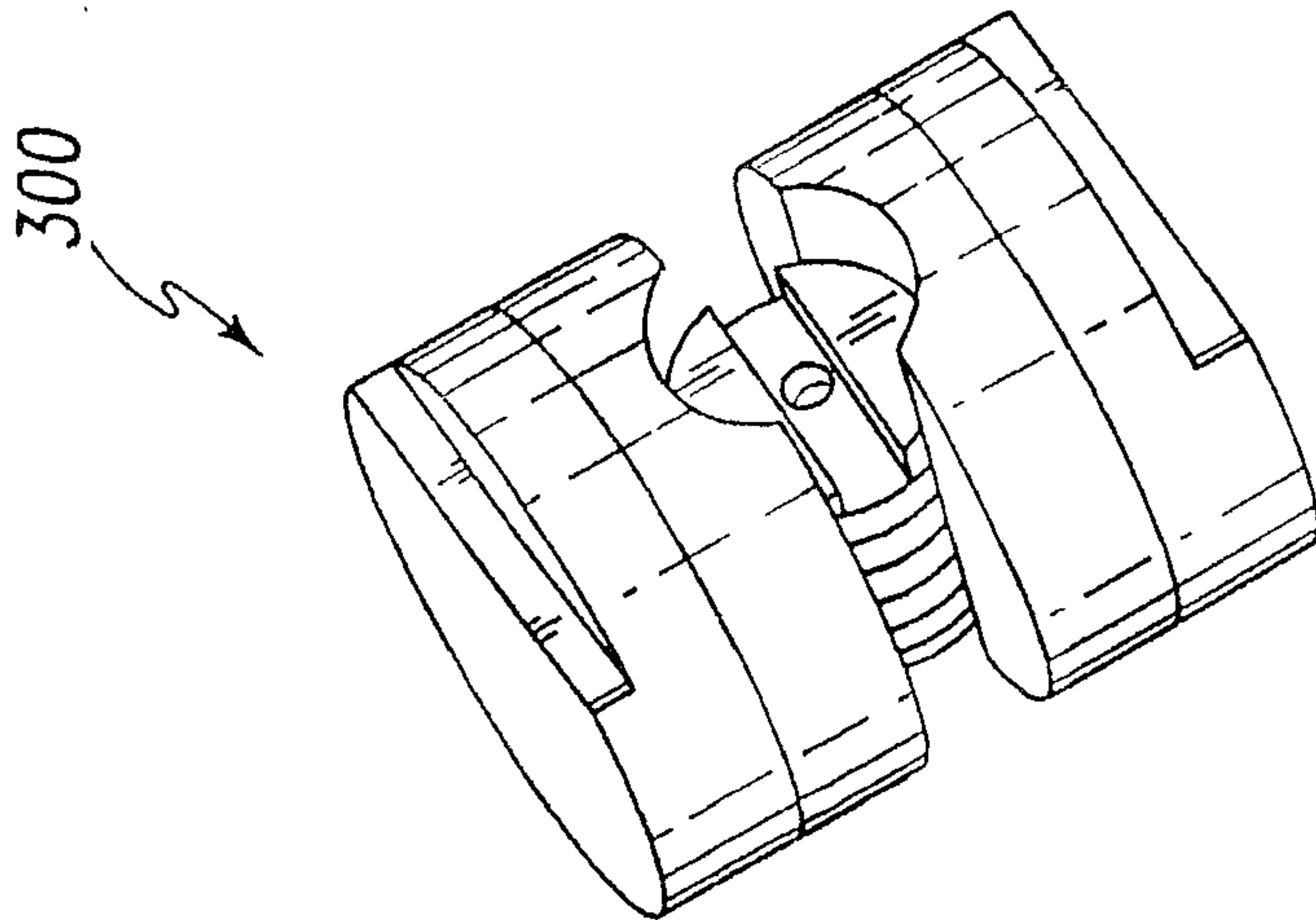


Fig. 50

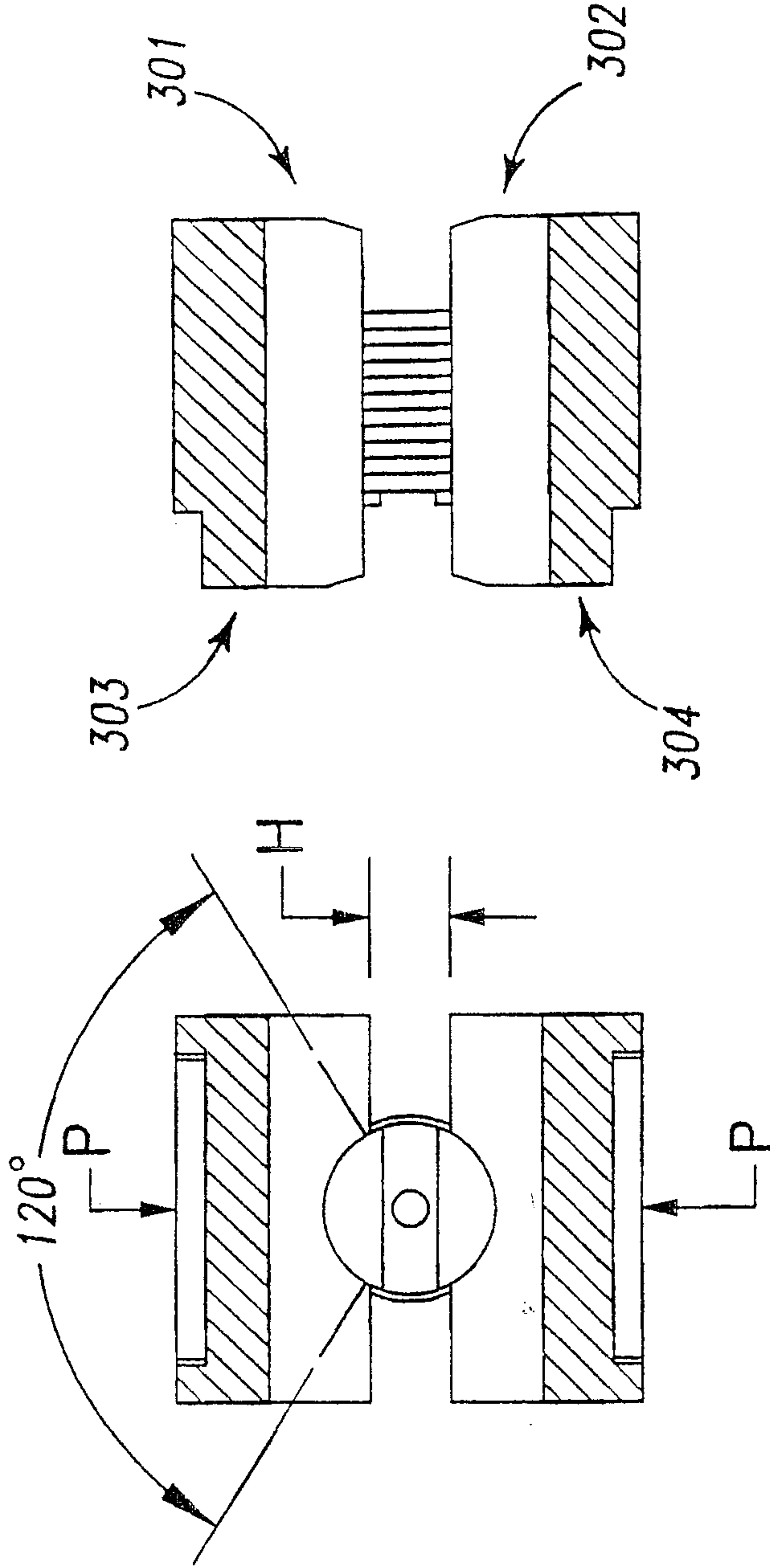


Fig. 51

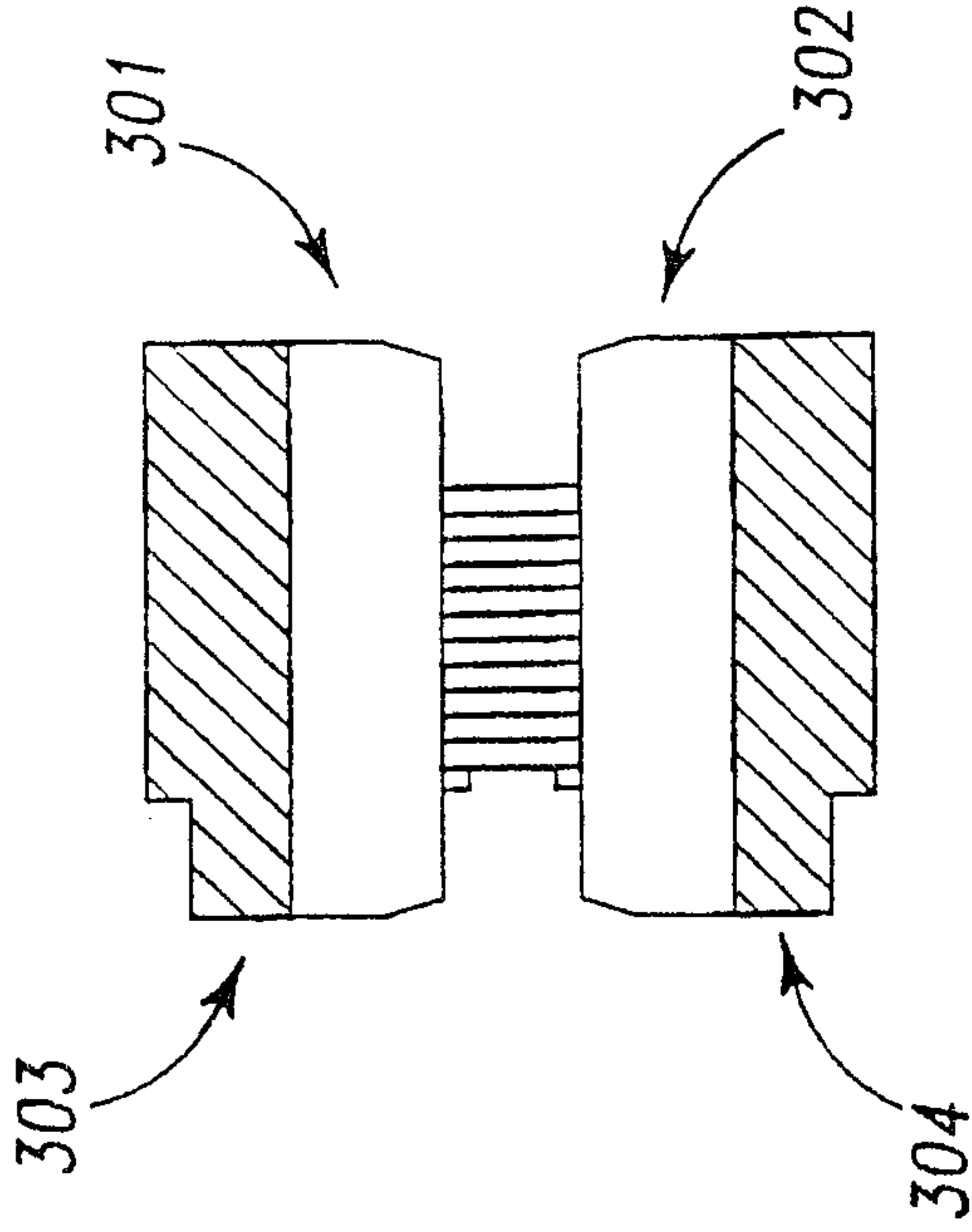


Fig. 52



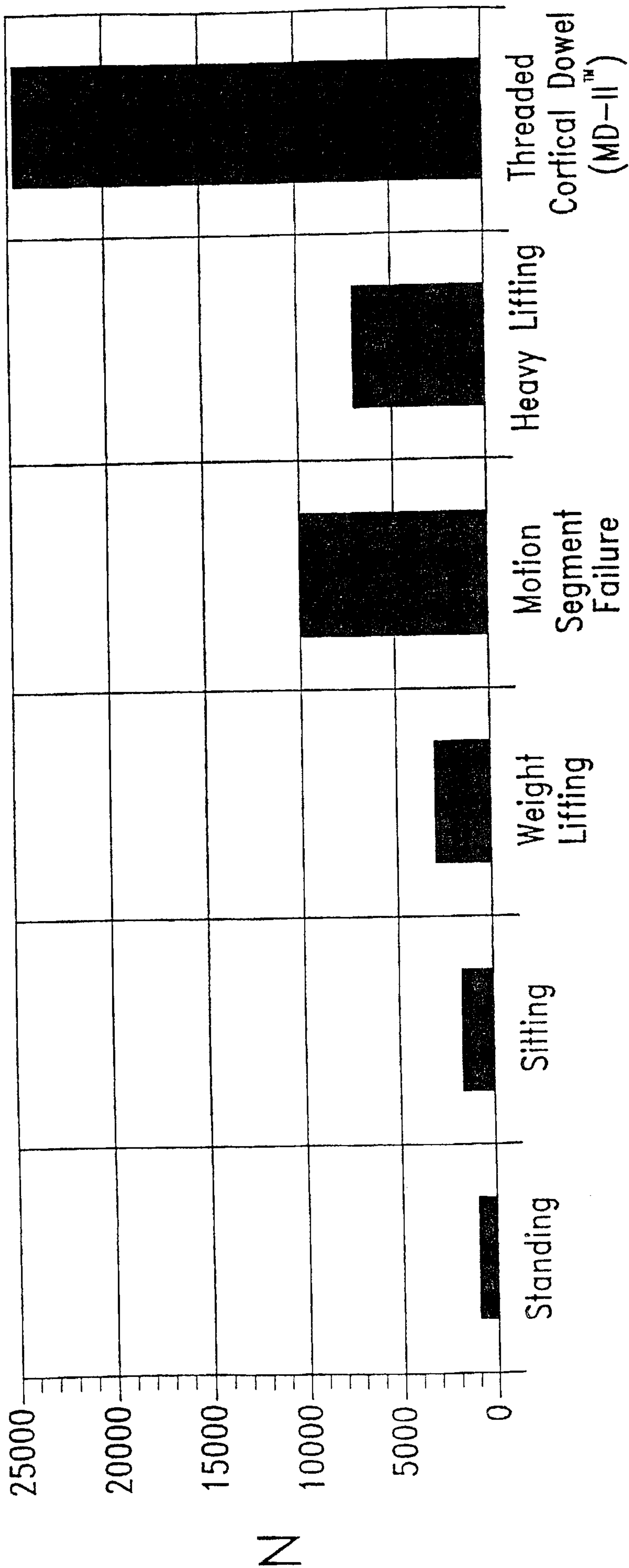
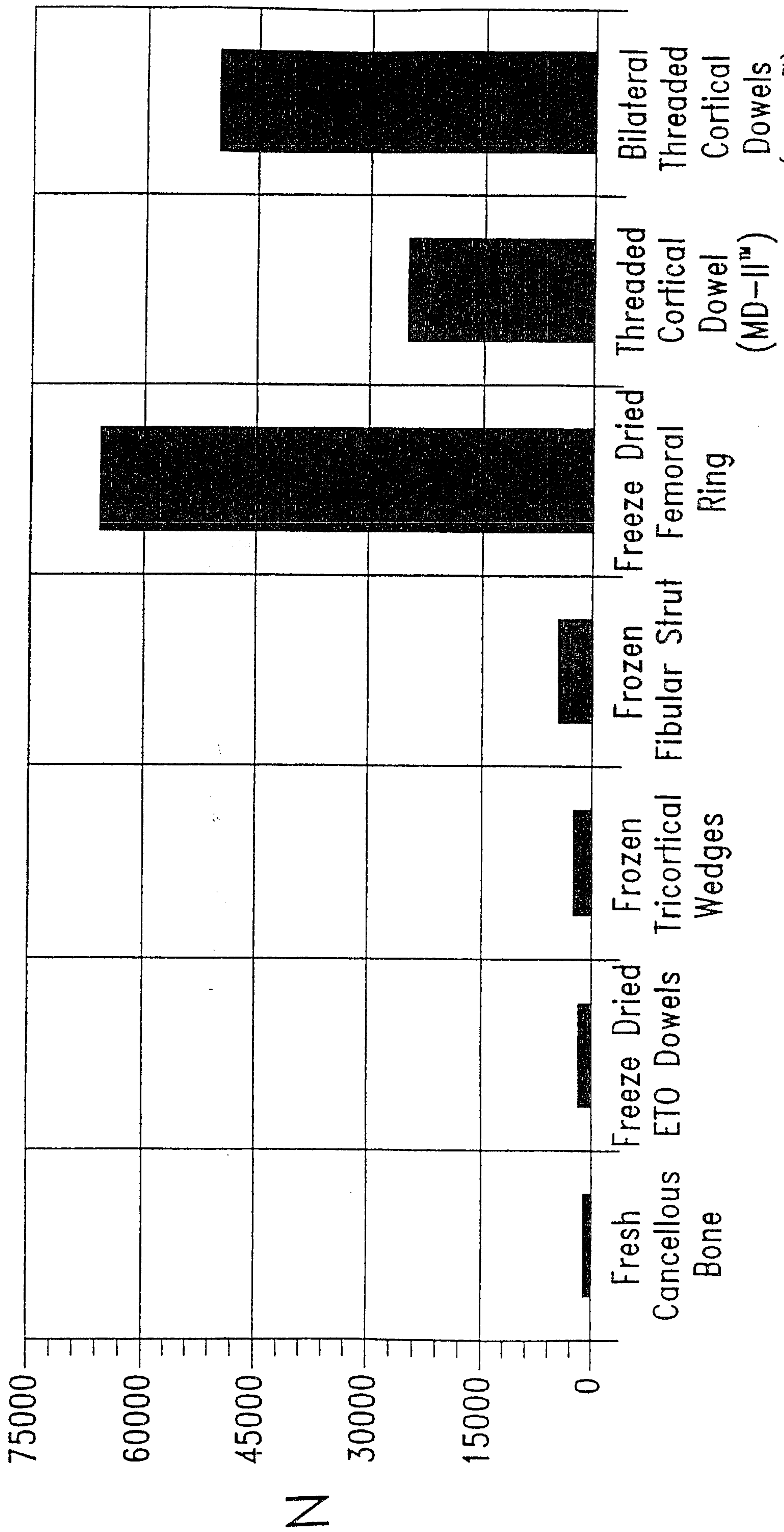


Fig. 53



(MD-II™) (calculated value)

Fig. 54

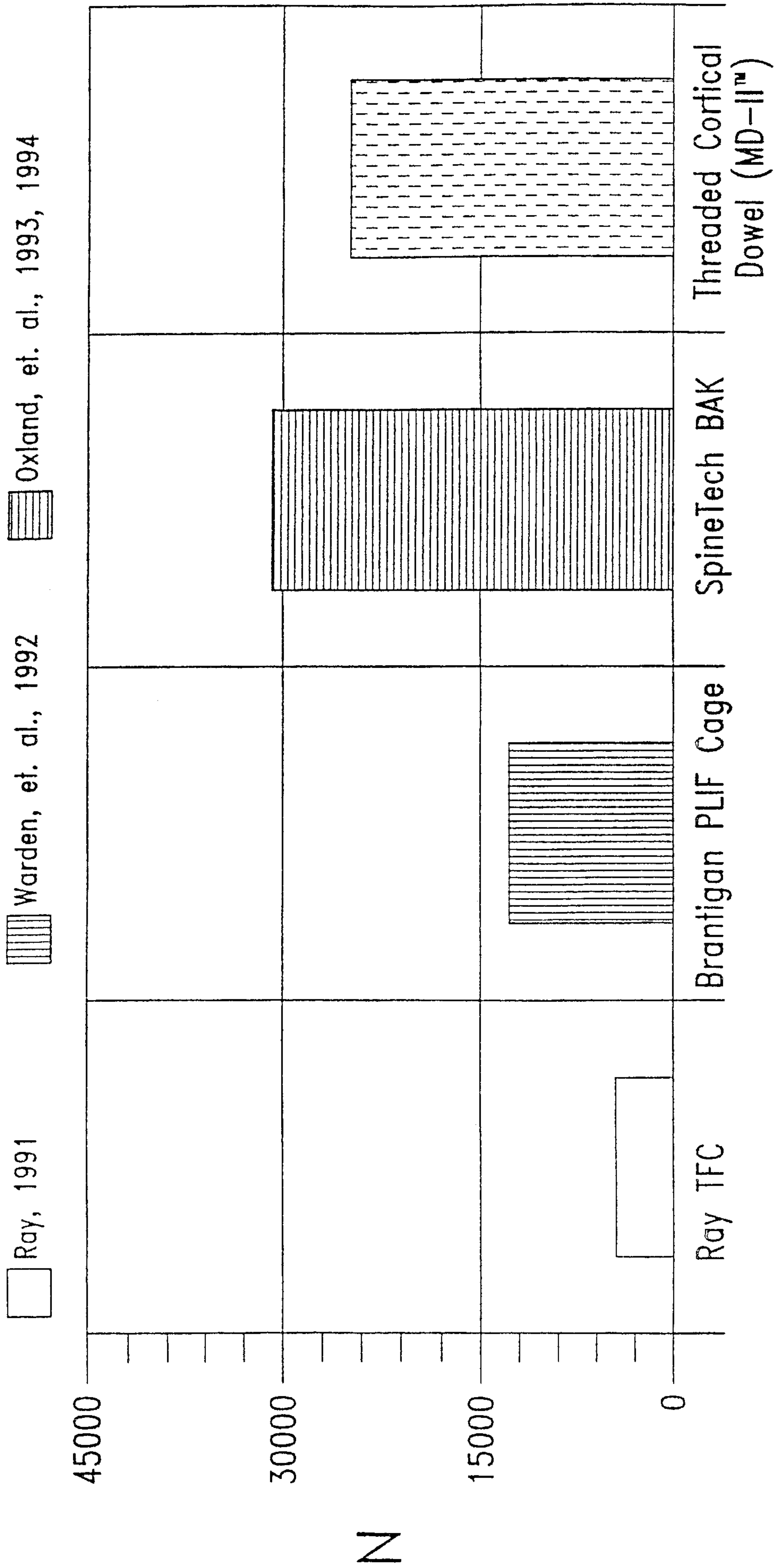


Fig. 55



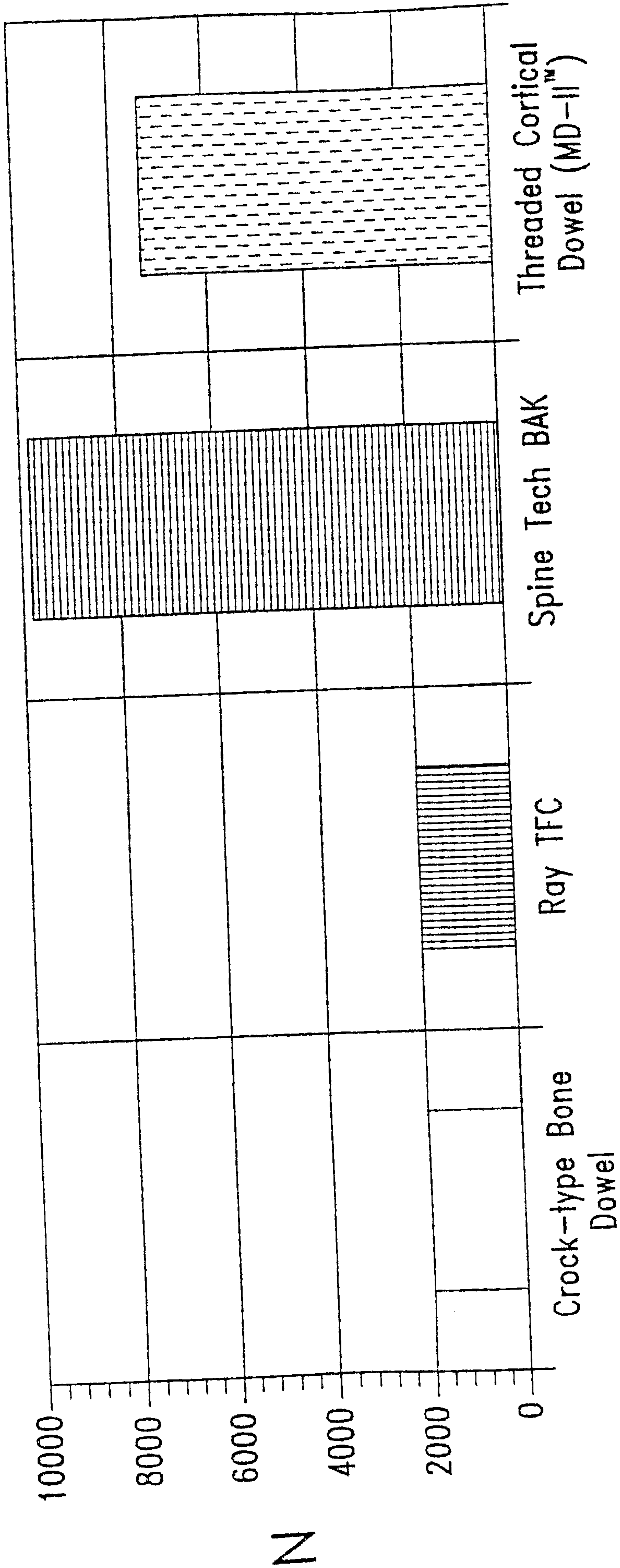


Fig. 56

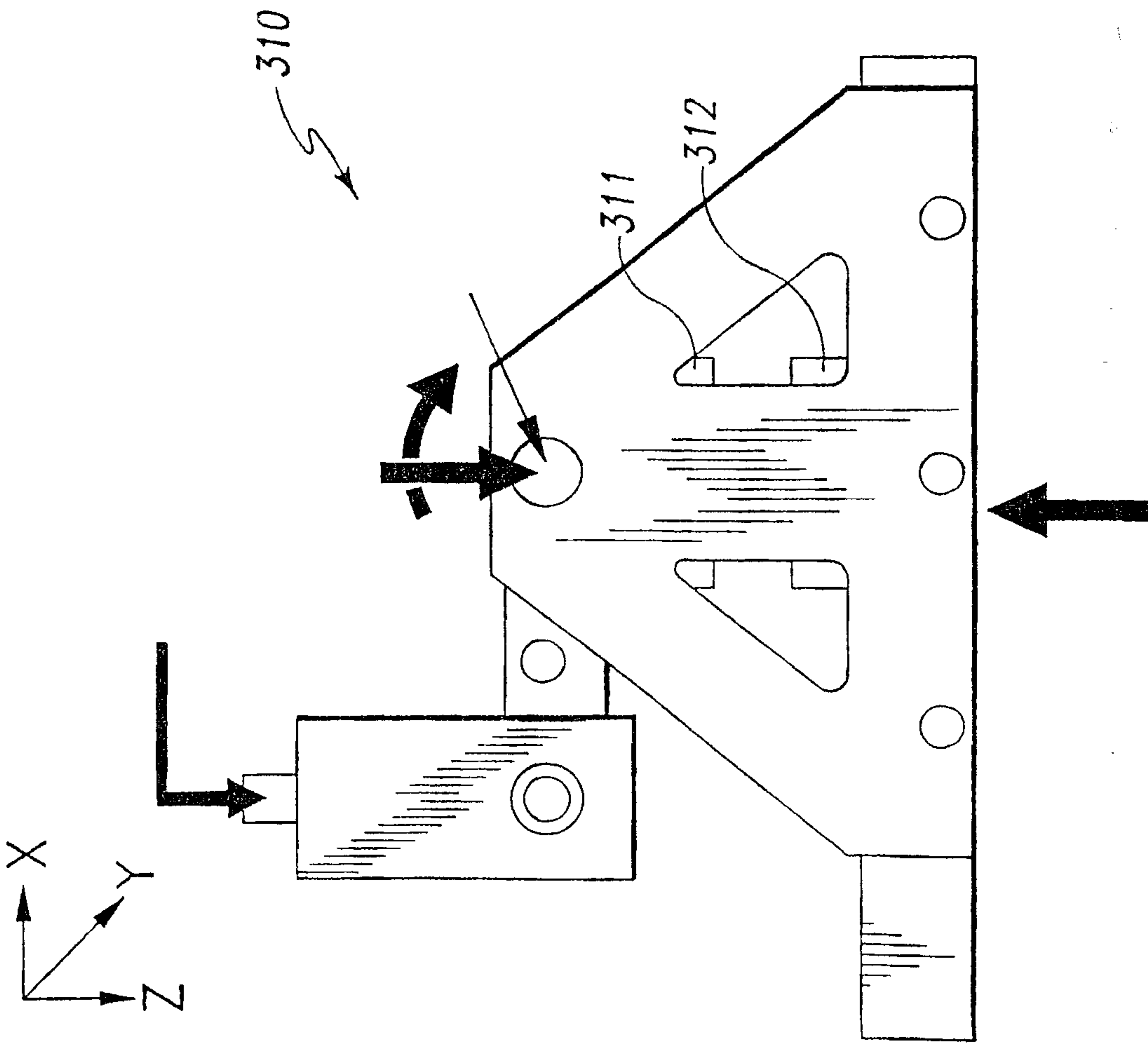


Fig. 57

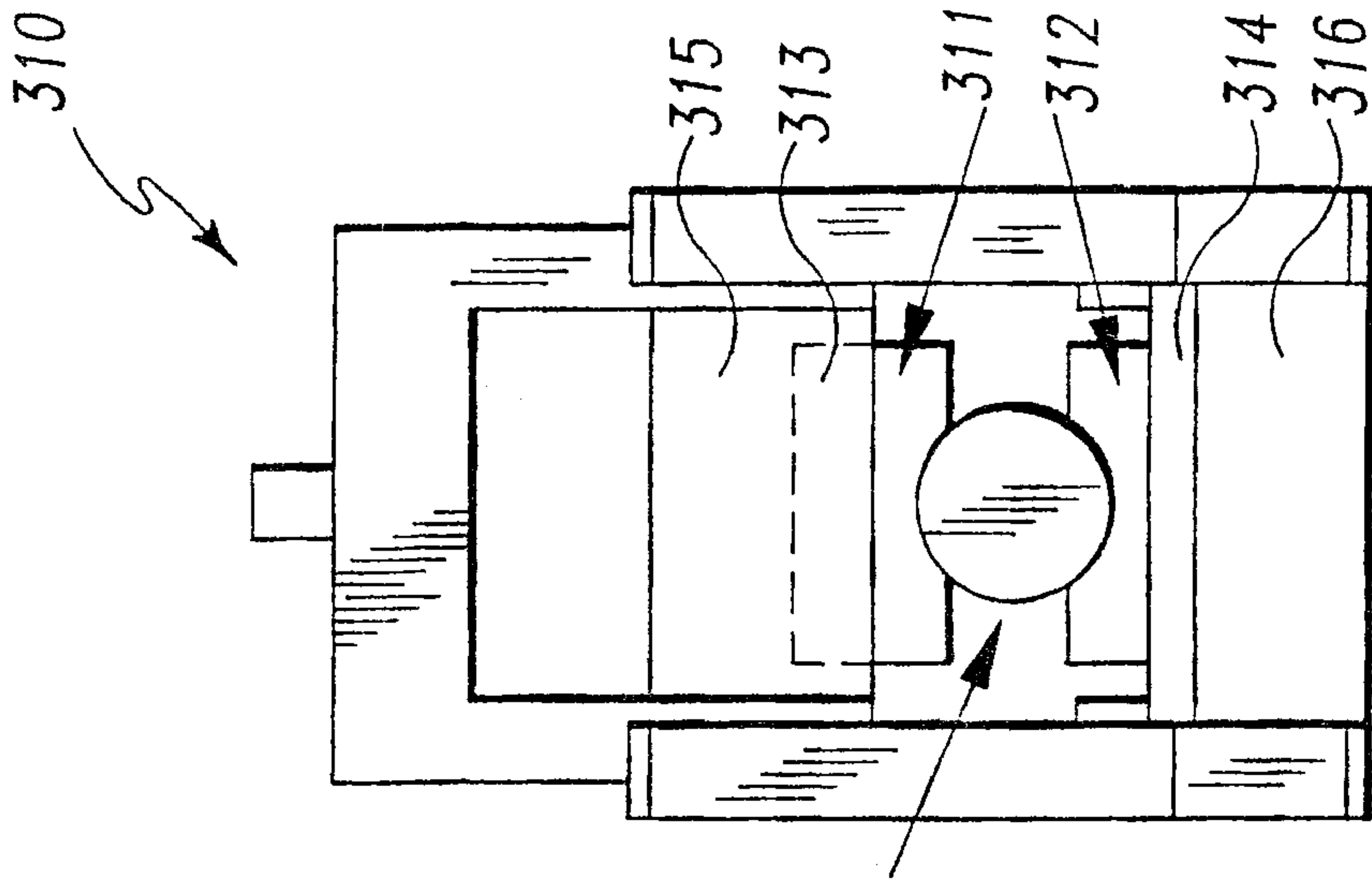


Fig. 58

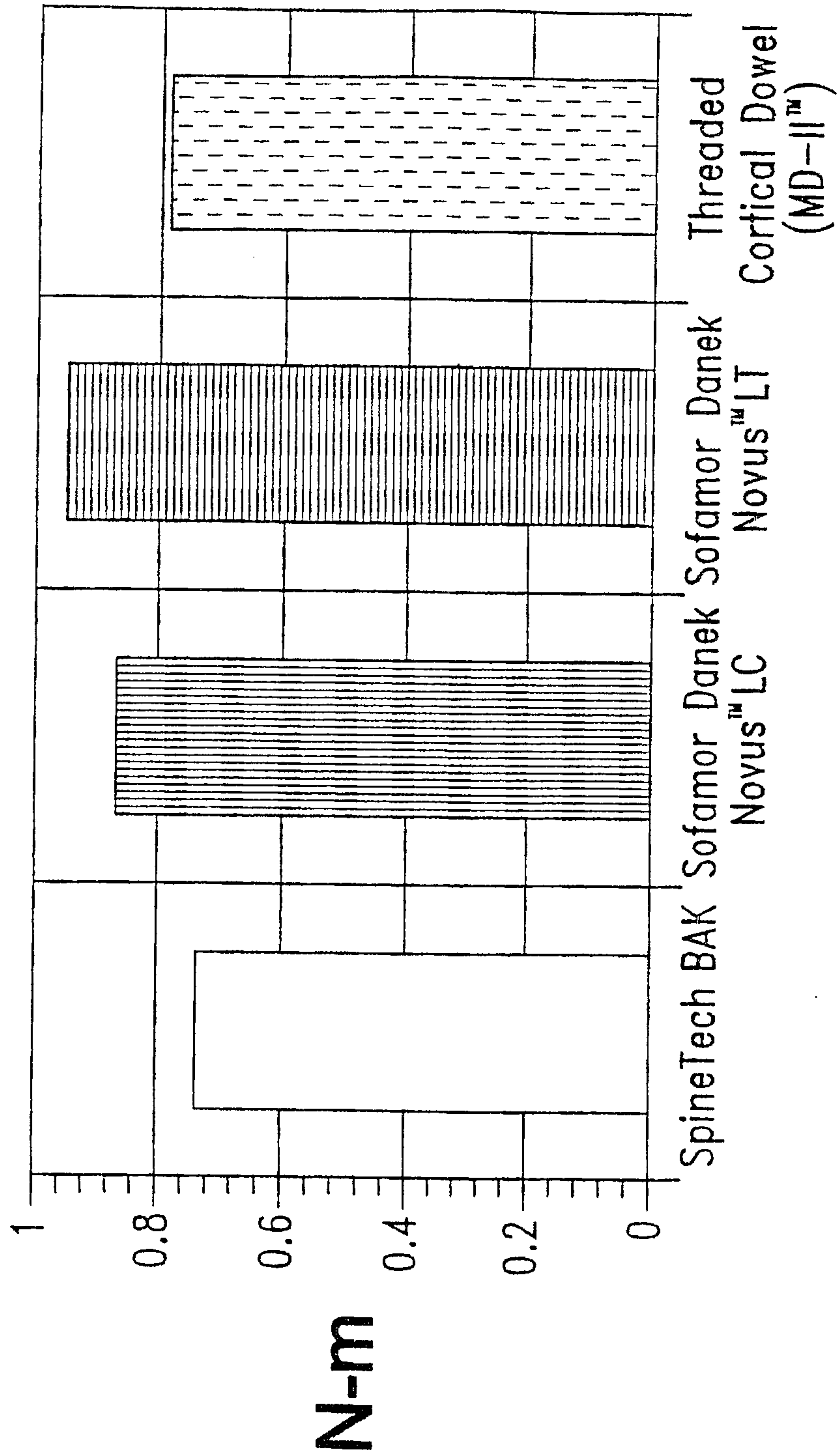


Fig. 59



