



US00D628158S

(12) **United States Design Patent**  
**Skidmore et al.**

(10) **Patent No.:** **US D628,158 S**

(45) **Date of Patent:** **\*\* Nov. 30, 2010**

(54) **MULTI-POLE POWER CONNECTOR SYSTEM**

(75) Inventors: **Allyssa M Skidmore**, Fitchburg, MA (US); **Brian F Davies**, Acton, MA (US); **Craig H Baker**, Shrewsbury, MA (US); **Danna A Mancini**, Worcester, MA (US)

(73) Assignee: **Andreson Power Products, Inc.**, Sterling, MA (US)

(\*\*) Term: **14 Years**

(21) Appl. No.: **29/331,926**

(22) Filed: **Feb. 5, 2009**

(51) **LOC (9) Cl.** ..... **13-03**

(52) **U.S. Cl.** ..... **D13/146; D13/147**

(58) **Field of Classification Search** ..... **D13/133, D13/146-147, 153, 154, 184; 439/282, 292, 439/345, 346, 352, 374, 483, 594, 598**  
See application file for complete search history.

(56) **References Cited**

**U.S. PATENT DOCUMENTS**

4,489,997	A *	12/1984	Byrne	.....	439/98
4,934,959	A *	6/1990	Zielinski et al.	.....	439/595
D332,600	S *	1/1993	Lucey et al.	.....	D13/147
D604,249	S *	11/2009	Mancini	.....	D13/147

2006/0276071	A1 *	12/2006	Rossi	.....	439/352
2007/0178739	A1 *	8/2007	Kuwayama	.....	439/352
2009/0035981	A1 *	2/2009	Lim	.....	439/352

\* cited by examiner

*Primary Examiner*—Daniel D Bui  
(74) *Attorney, Agent, or Firm*—Vern Maine & Associates

(57) **CLAIM**

The ornamental design for a multi-pole power connector system, as shown and described.

**DESCRIPTION**

FIG. 1 is a front view of a multi-pole power connector system showing our new design;

FIG. 2 is a back view thereof;

FIG. 3 is a right side view thereof;

FIG. 4 is a left side view thereof;

FIG. 5 is a top view thereof;

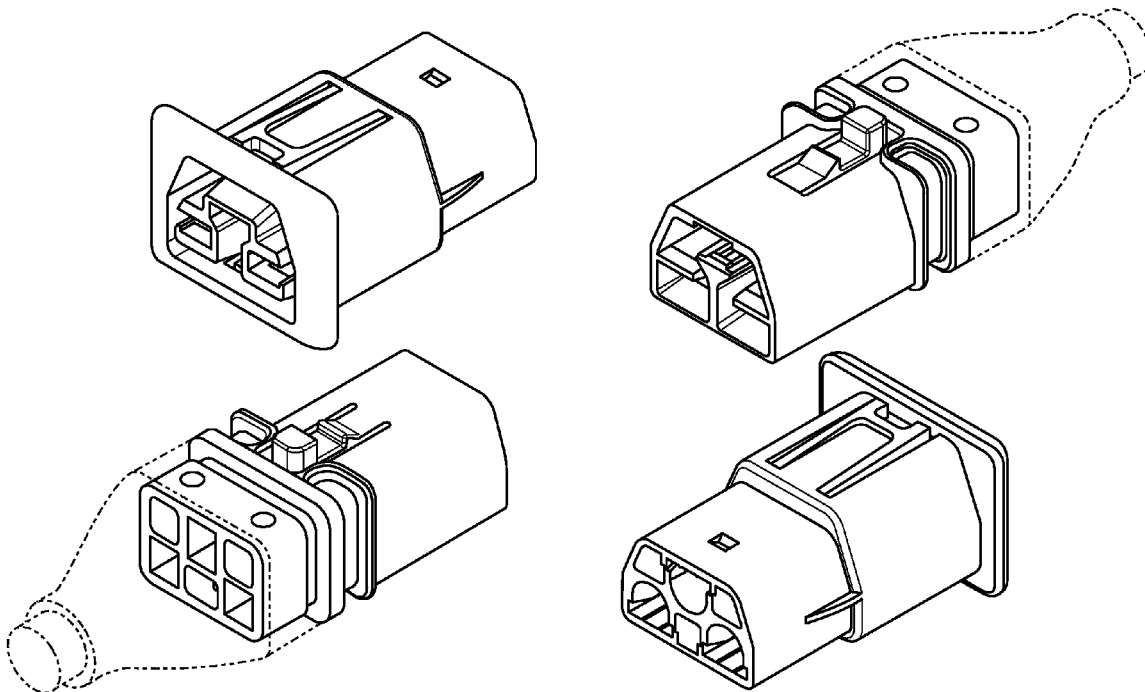
FIG. 6 is a bottom view thereof;

FIG. 7 is a top front perspective view thereof; and,

FIG. 8 is a top back perspective view thereof.

The broken line portion of the figure drawings is included to show unclaimed subject matter only and forms no part of the claimed design.

**1 Claim, 8 Drawing Sheets**



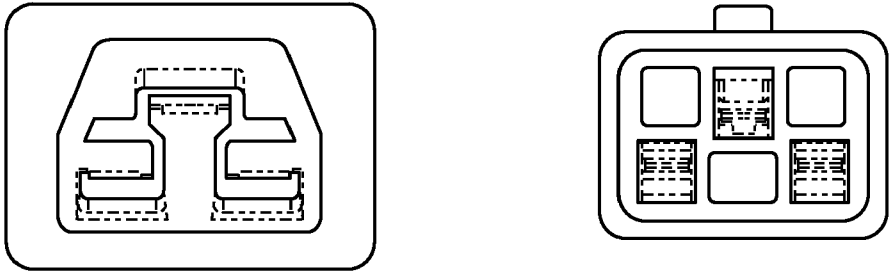


FIG. 1

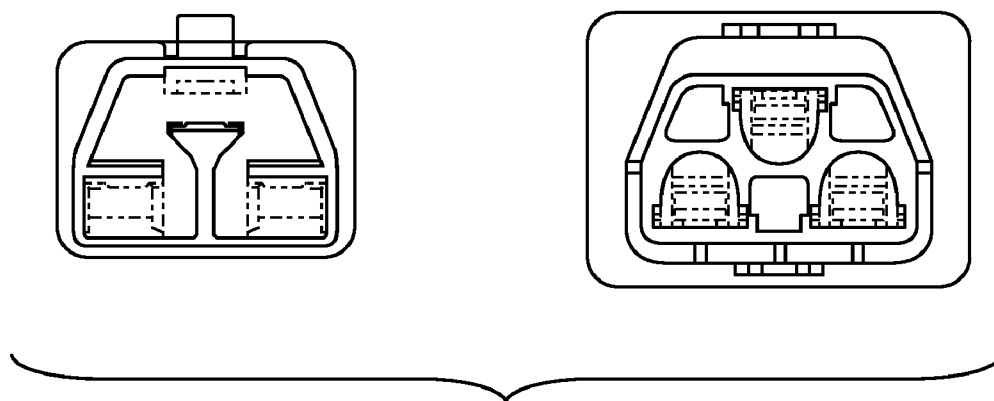


FIG. 2

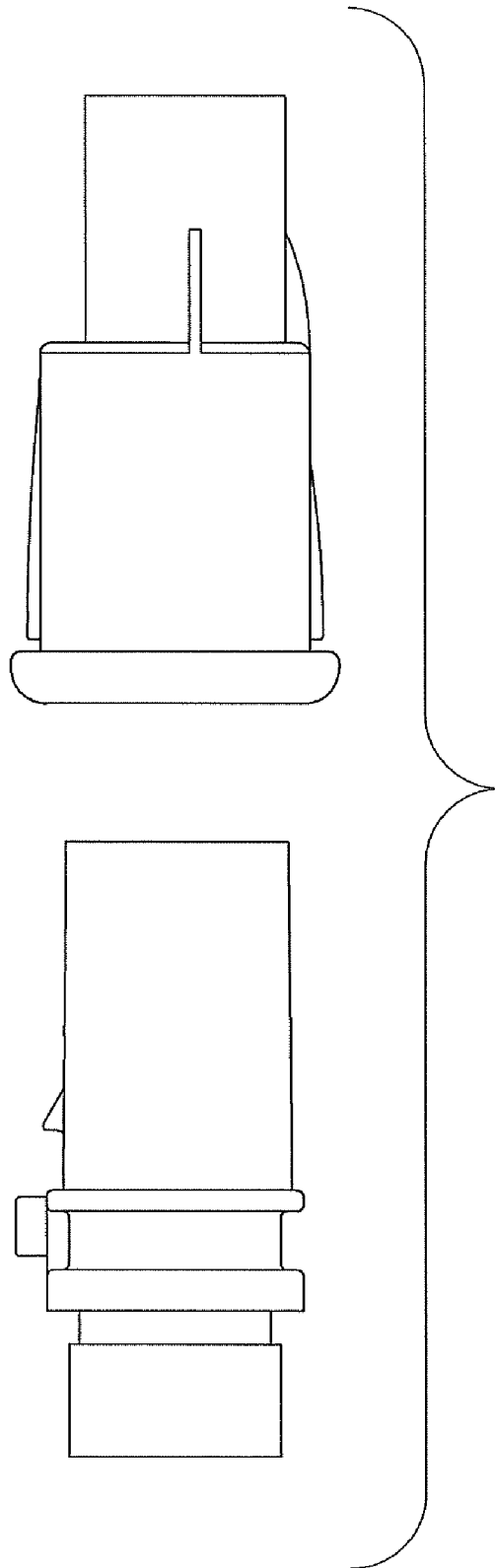


FIG. 3

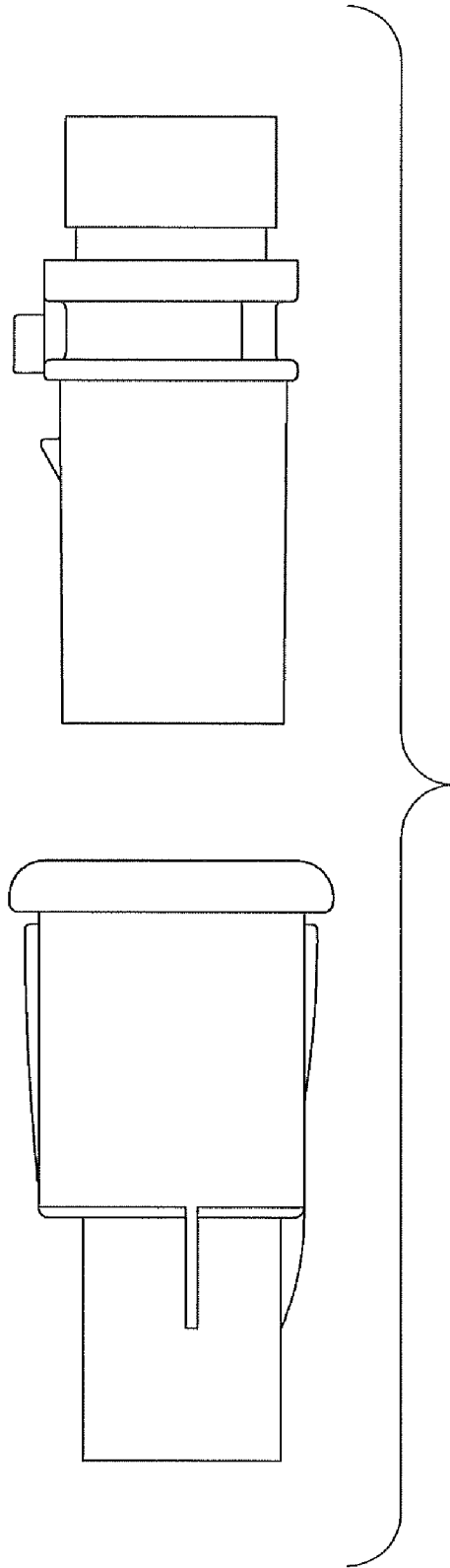


FIG. 4

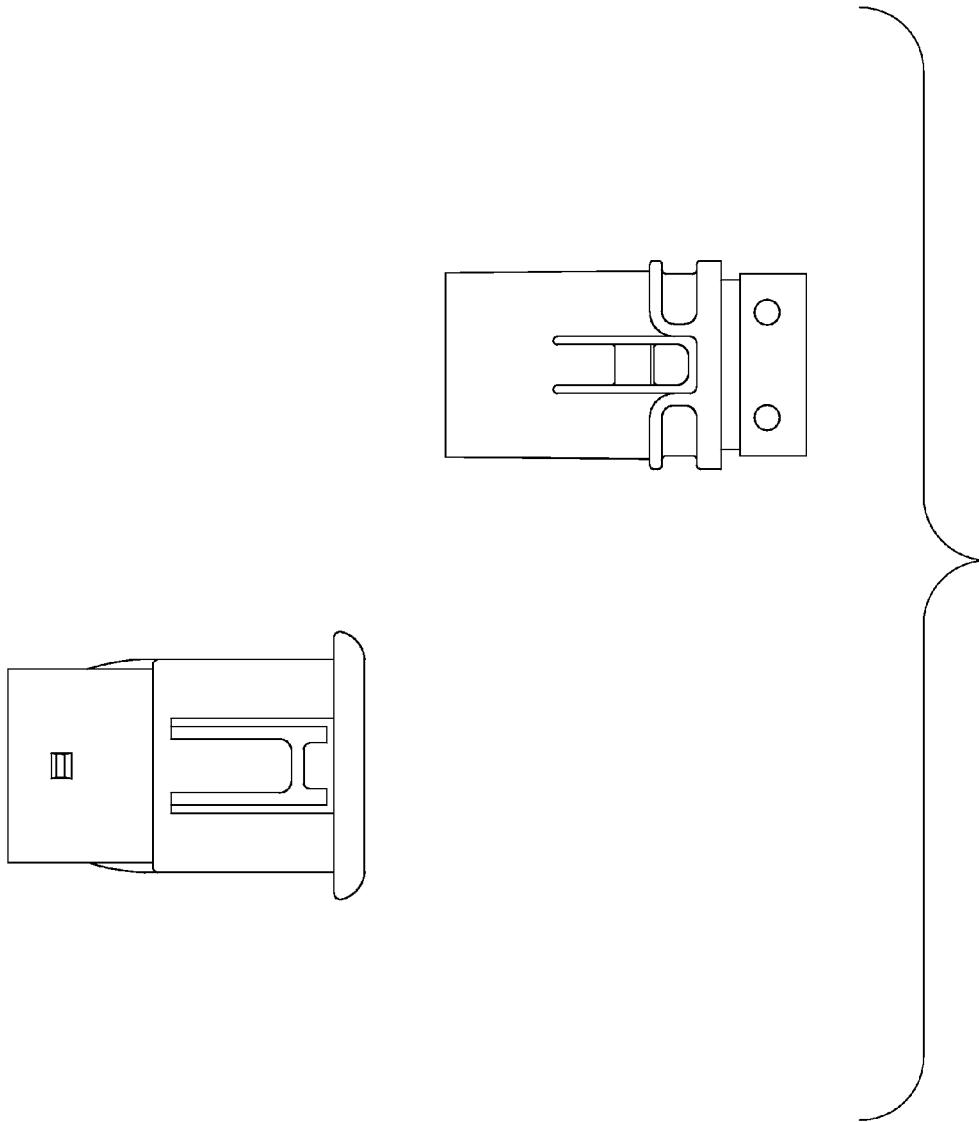


FIG. 5

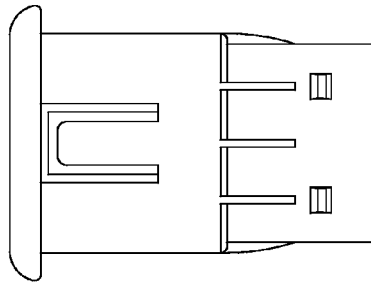
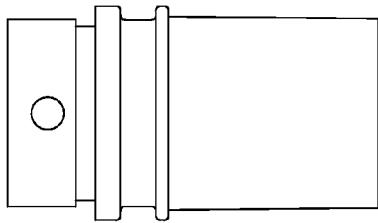


FIG. 6

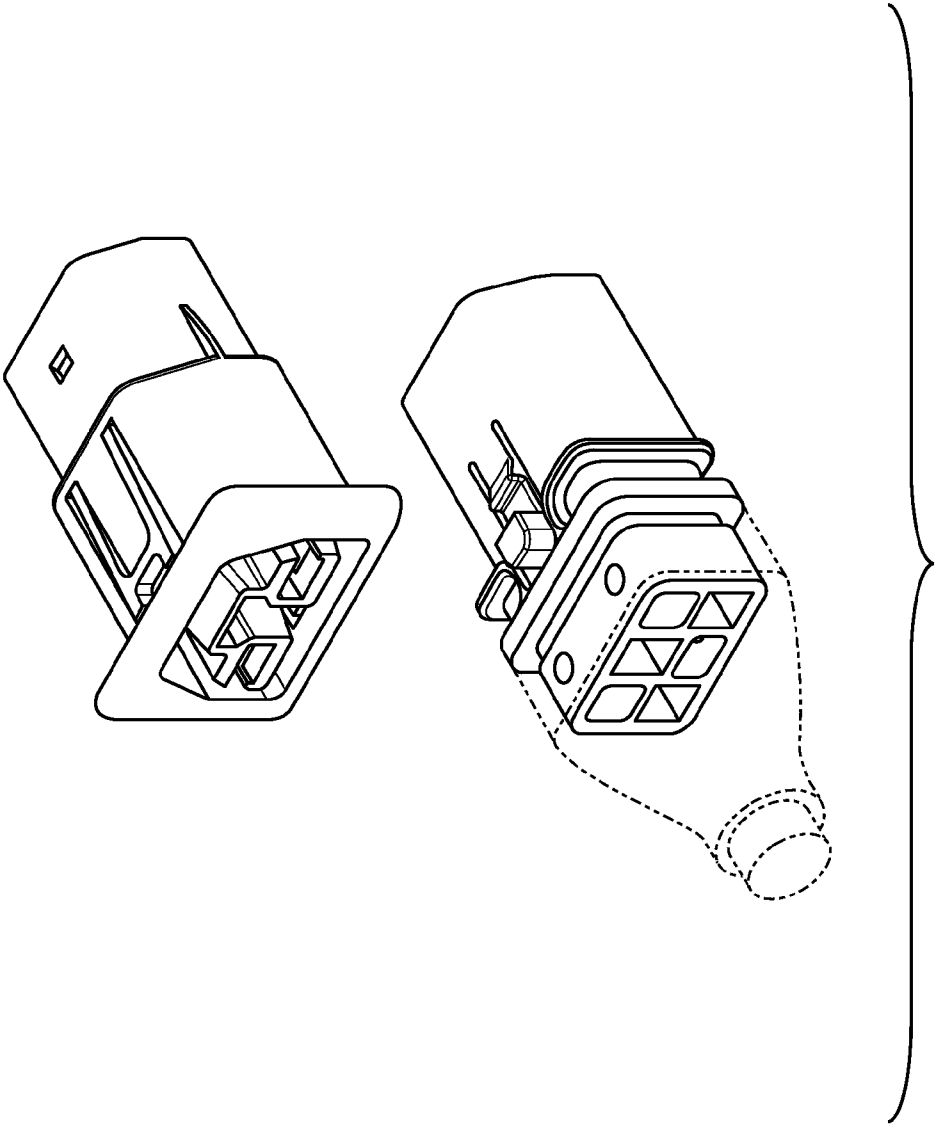


FIG. 7



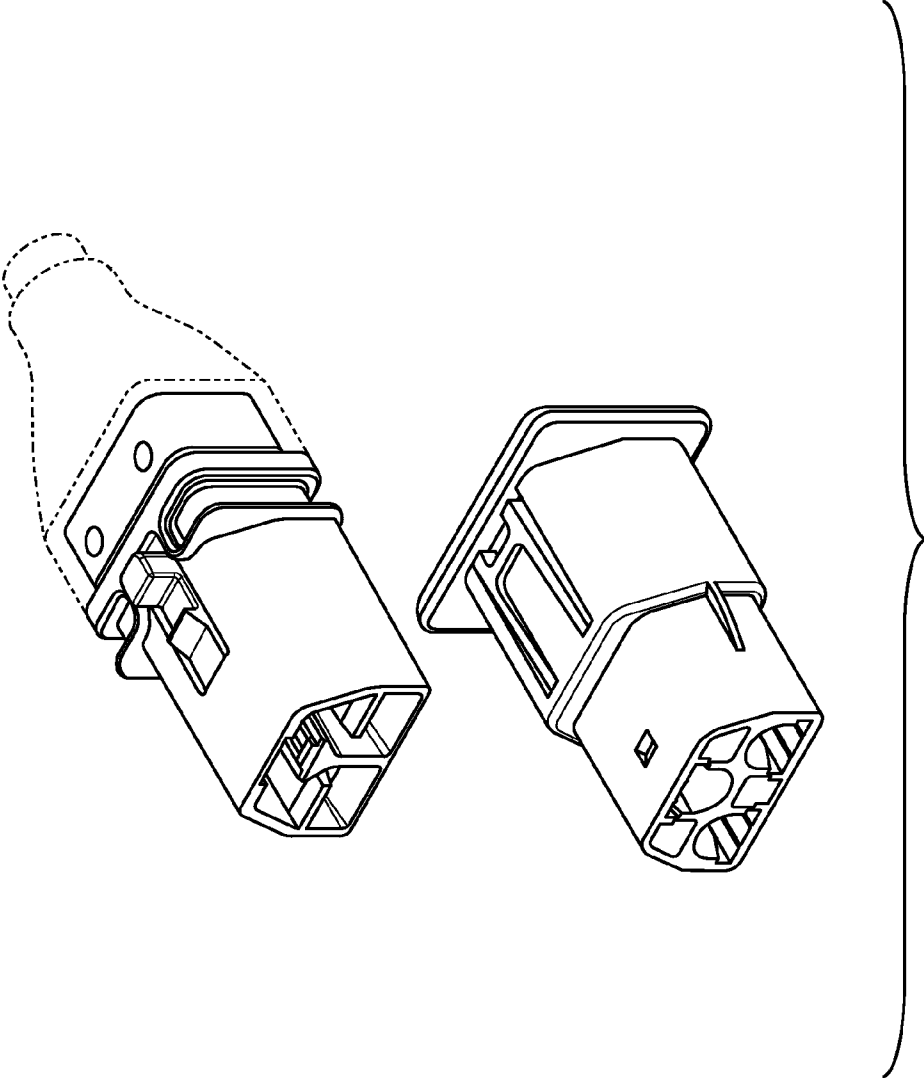


FIG. 8