



US00D579717S

(12) **United States Design Patent**  
**Pawson et al.**

(10) **Patent No.:** **US D579,717 S**

(45) **Date of Patent:** **\*\* Nov. 4, 2008**

(54) **COOKWARE LID**

(75) Inventors: **John Pawson**, London (GB); **Maurits J. Demeyere**, Edegem (BE)

(73) Assignee: **Werkhuizen Demeyere**, Herentals (BE)

(\*\*) Term: **14 Years**

(21) Appl. No.: **29/301,010**

(22) Filed: **Feb. 6, 2008**

(30) **Foreign Application Priority Data**

Aug. 9, 2007 (EM) ..... 000771969-0003

(51) **LOC (8) Cl.** ..... **07-02**

(52) **U.S. Cl.** ..... **D7/391**

(58) **Field of Classification Search** ..... D7/323,  
D7/354-361, 391, 392.1, 393, 538-542, 584-588;  
D8/107, 300, 306-307, 317; D12/213; 16/110.1,  
16/415, 419, 430-431, 436, 444; 29/527.1-527.5;  
220/200, 212.5, 367.1, 376, 573.1-573.5,  
220/625, 731, 752-755, 912; 301/37.103,  
301/37.104

See application file for complete search history.

(56) **References Cited**

**U.S. PATENT DOCUMENTS**

D160,649 S \* 10/1950 Muller-Munk ..... D7/391  
D305,635 S \* 1/1990 Pope ..... D12/213

D374,793 S \* 10/1996 Eickel ..... D7/391  
D463,206 S \* 9/2002 Rae ..... D7/391  
D491,874 S \* 6/2004 Cook ..... D12/213  
6,863,353 B1 \* 3/2005 Buckner ..... 301/37.103  
6,871,914 B2 \* 3/2005 Stewart, Jr. .... 301/37.104  
D528,963 S \* 9/2006 Horn ..... D12/213  
D569,324 S \* 5/2008 Gosnell et al. .... D12/213  
D569,681 S \* 5/2008 Rae ..... D7/391  
2005/0205577 A1 \* 9/2005 Park ..... 220/367.1

\* cited by examiner

*Primary Examiner*—Caron D. Veynar

*Assistant Examiner*—Ricky Pham

(74) *Attorney, Agent, or Firm*—Kirschstein, et al.

(57) **CLAIM**

The ornamental design for a cookware lid, as shown and described.

**DESCRIPTION**

FIG. 1 is a perspective view of a cookware lid according to our new design;

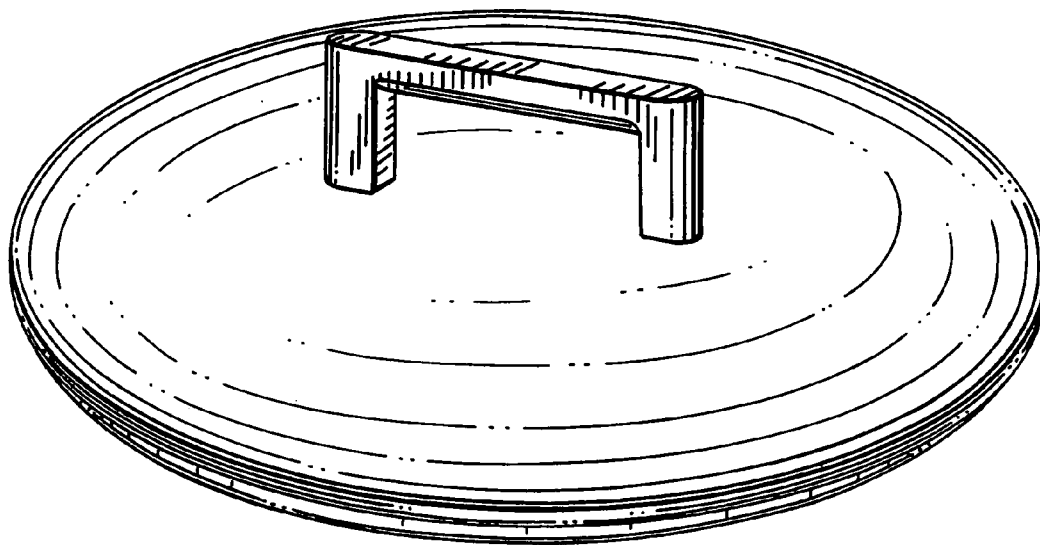
FIG. 2 is a top plan view thereof;

FIG. 3 is an end elevational view thereof, the opposite end being a mirror image;

FIG. 4 is a side elevational view thereof, the opposite side being a mirror image; and,

FIG. 5 is a bottom plan view thereof.

**1 Claim, 3 Drawing Sheets**



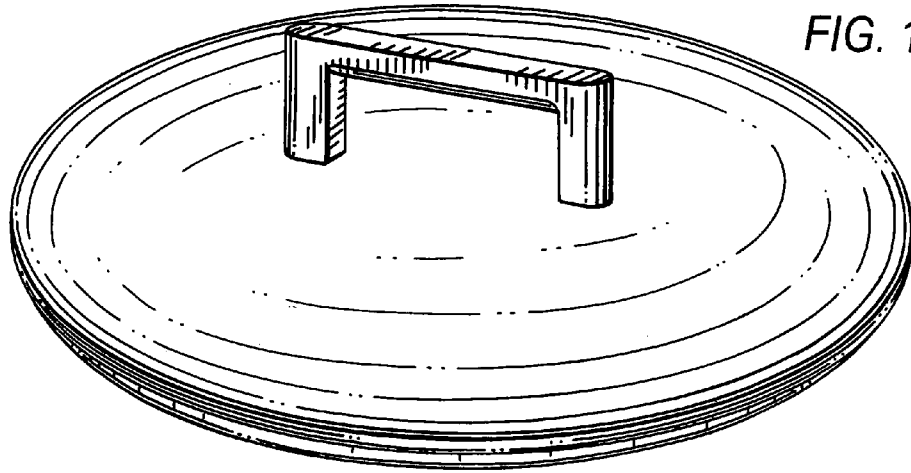


FIG. 1

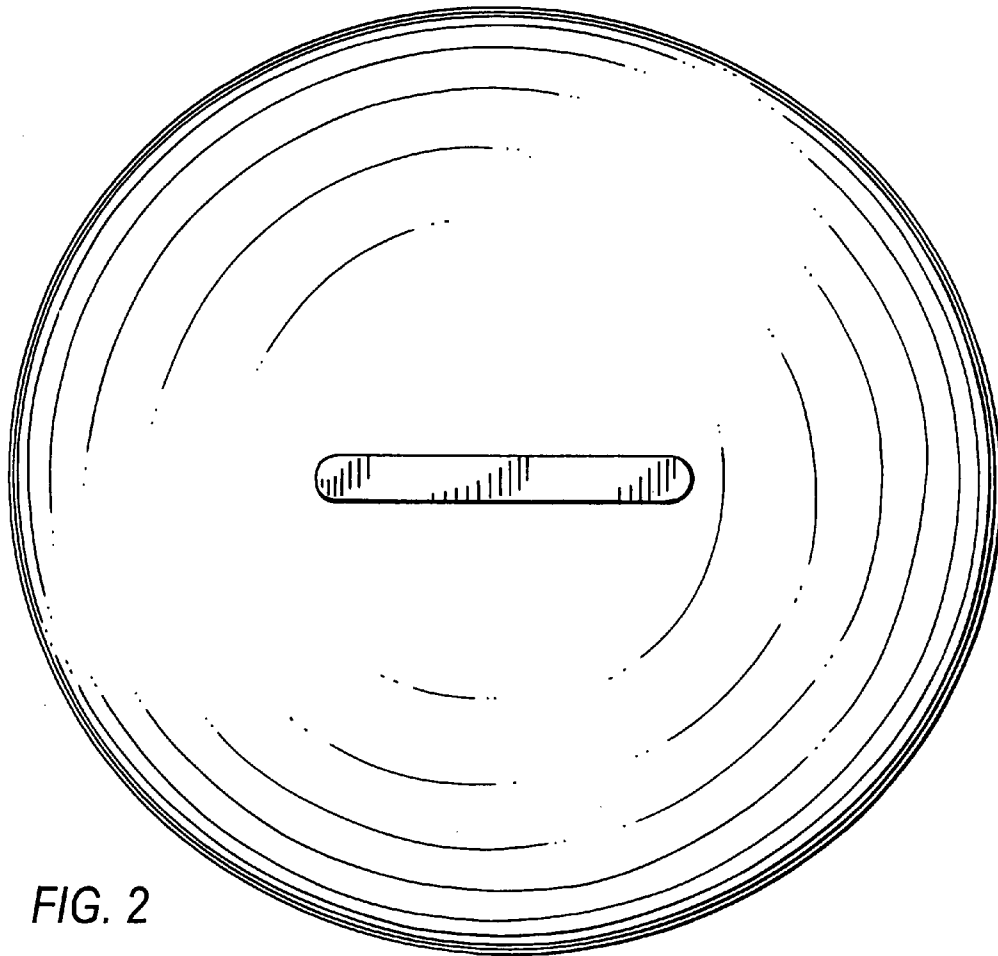


FIG. 2

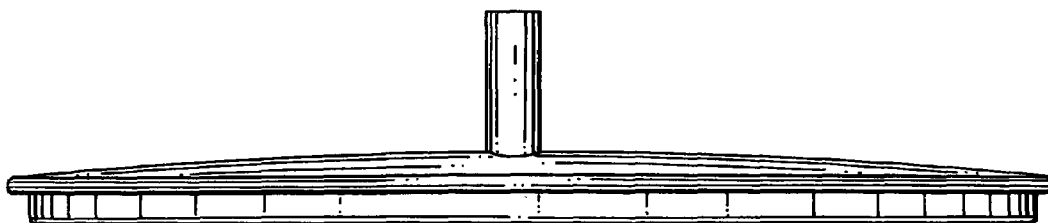


FIG. 3

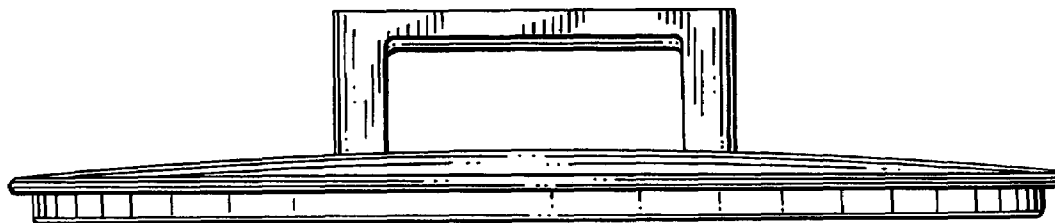


FIG. 4

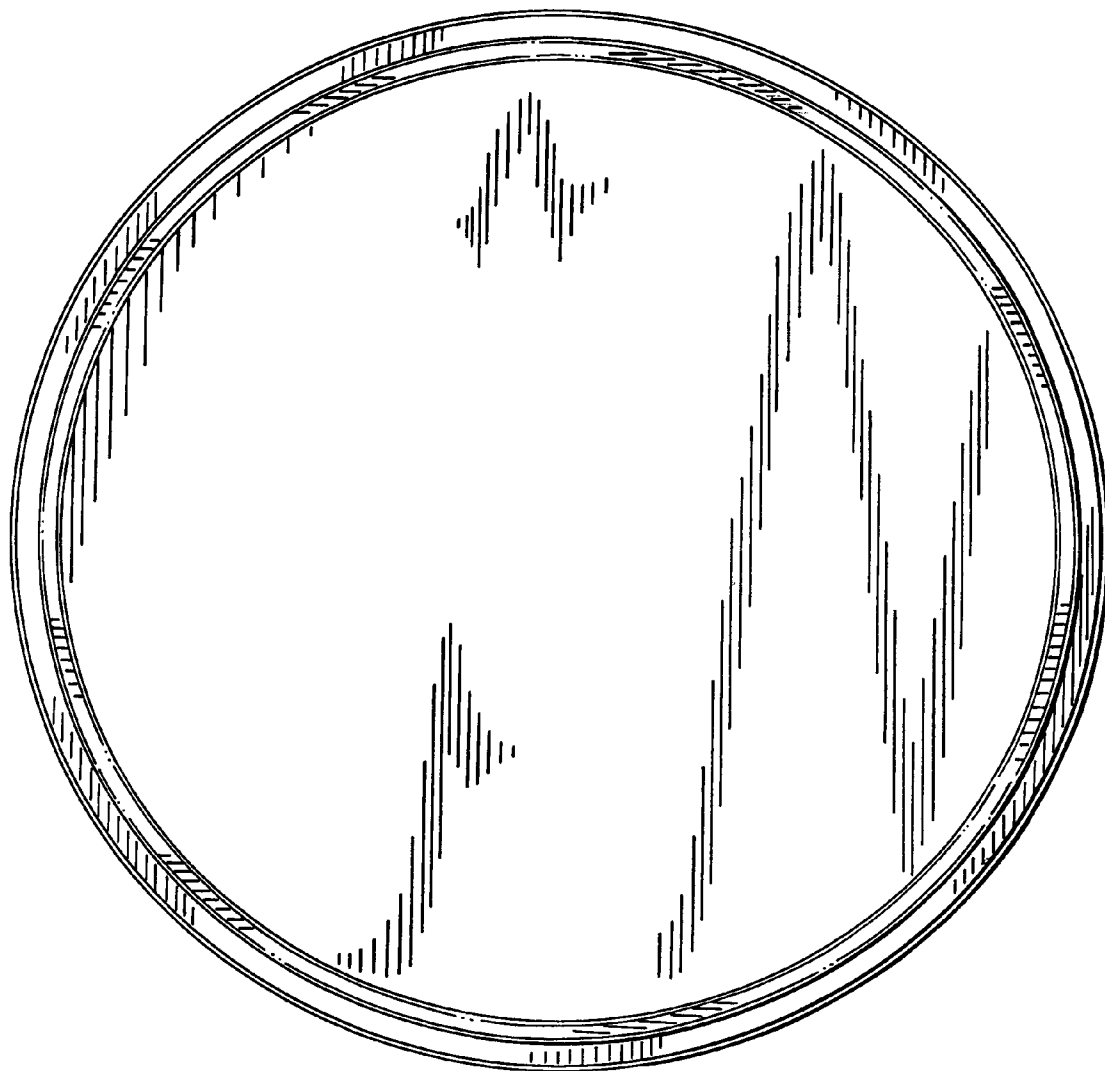


FIG. 5