



US00D852855S

(12) **United States Design Patent**  
**Landon**

(10) **Patent No.:** **US D852,855 S**

(45) **Date of Patent:** **\*\* Jul. 2, 2019**

(54) **SAW BLADE**

(71) Applicant: **MILWAUKEE ELECTRIC TOOL CORPORATION**, Brookfield, WI (US)

(72) Inventor: **Edward Landon**, Slinger, WI (US)

(73) Assignee: **MILWAUKEE ELECTRIC TOOL CORPORATION**, Brookfield, WI (US)

(\*\*) Term: **15 Years**

(21) Appl. No.: **29/605,233**

(22) Filed: **May 24, 2017**

(51) **LOC (11) Cl.** ..... **15-09**

(52) **U.S. Cl.**

USPC ..... **D15/133; D8/70**

(58) **Field of Classification Search**

USPC ..... **D8/20, 66, 70; D15/133, 138, 139**  
(Continued)

(56) **References Cited**

**U.S. PATENT DOCUMENTS**

2,912,021 A 11/1959 Gommel  
D341,304 S \* 11/1993 Johnston ..... D8/64  
(Continued)

*Primary Examiner* — Darlington Ly

(74) *Attorney, Agent, or Firm* — Michael Best & Friedrich LLP

(57) **CLAIM**

I claim the ornamental design for a saw blade, as shown and described.

**DESCRIPTION**

FIG. 1 is a perspective view of a saw blade embodying the invention.

FIG. 2 is a front view of the saw blade of FIG. 1.

FIG. 3 is a top view of the saw blade of FIG. 1.

FIG. 4 is a bottom view of the saw blade of FIG. 1.

FIG. 5 is a first side view of the saw blade of FIG. 1.

FIG. 6 is a second side view of the saw blade of FIG. 1.

FIG. 7 is a perspective view of another saw blade embodying the invention.

FIG. 8 is a front view of the saw blade of FIG. 7.

FIG. 9 is a top view of the saw blade of FIG. 7.

FIG. 10 is a bottom view of the saw blade of FIG. 7.

FIG. 11 is a first side view of the saw blade of FIG. 7.

FIG. 12 is a second side view of the saw blade of FIG. 7.

FIG. 13 is a perspective view of another saw blade embodying the invention.

FIG. 14 is a front view of the saw blade of FIG. 13.

FIG. 15 is a top view of the saw blade of FIG. 13.

FIG. 16 is a bottom view of the saw blade of FIG. 13.

FIG. 17 is a first side view of the saw blade of FIG. 13.

FIG. 18 is a second side view of the saw blade of FIG. 13.

FIG. 19 is a perspective view of another saw blade embodying the invention.

FIG. 20 is a front view of the saw blade of FIG. 19.

FIG. 21 is a top view of the saw blade of FIG. 19.

FIG. 22 is a bottom view of the saw blade of FIG. 19.

FIG. 23 is a first side view of the saw blade of FIG. 19.

FIG. 24 is a second side view of the saw blade of FIG. 19.

FIG. 25 is a perspective view of another saw blade embodying the invention.

FIG. 26 is a front view of the saw blade of FIG. 25.

FIG. 27 is a top view of the saw blade of FIG. 25.

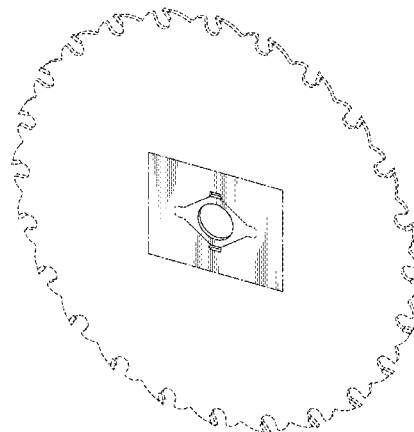
FIG. 28 is a bottom view of the saw blade of FIG. 25.

FIG. 29 is a first side view of the saw blade of FIG. 25; and,

FIG. 30 is a second side view of the saw blade of FIG. 25.

The dash-dash broken lines in the drawings illustrate portions of the saw blade that form no part of the claimed design. The dash-dot broken lines, to which are not part of the claim, define the boundaries of the claimed design.

**1 Claim, 20 Drawing Sheets**



(58) **Field of Classification Search**  
 CPC ..... B23D 61/006; B23D 65/00; B26D 7/086;  
 B26D 7/2614

See application file for complete search history.

(56) **References Cited**

U.S. PATENT DOCUMENTS

5,351,595 A \* 10/1994 Johnston ..... B23D 61/021  
 83/835  
 D380,660 S \* 7/1997 Gakhar ..... D8/70  
 D382,185 S \* 8/1997 Gakhar ..... D8/70  
 D382,186 S \* 8/1997 Gakhar ..... D8/70  
 D382,786 S \* 8/1997 Achterberg ..... D8/70  
 D382,787 S \* 8/1997 Gakhar ..... D8/70  
 D392,864 S \* 3/1998 Koike ..... D15/139  
 D449,769 S \* 10/2001 Curtsinger ..... D8/74  
 6,729,220 B2 5/2004 Curtsinger  
 6,910,575 B2 \* 6/2005 Curtsinger ..... B23D 59/00  
 206/303  
 7,140,287 B2 \* 11/2006 Lowder ..... B23D 61/021  
 83/848  
 D559,638 S \* 1/2008 Park ..... D15/139  
 D677,290 S \* 3/2013 Brutscher ..... D15/133  
 D677,291 S \* 3/2013 Brutscher ..... D15/133  
 D697,774 S \* 1/2014 Bozic ..... D8/70  
 D724,124 S \* 3/2015 Vicchio ..... D15/133  
 D782,261 S \* 3/2017 Guth ..... D8/20  
 D813,635 S \* 3/2018 Brutscher ..... D8/70  
 2002/0124707 A1 \* 9/2002 Izard ..... B23D 61/025  
 83/835  
 2012/0192694 A1 \* 8/2012 Brutscher ..... B23D 61/025  
 83/835

\* cited by examiner

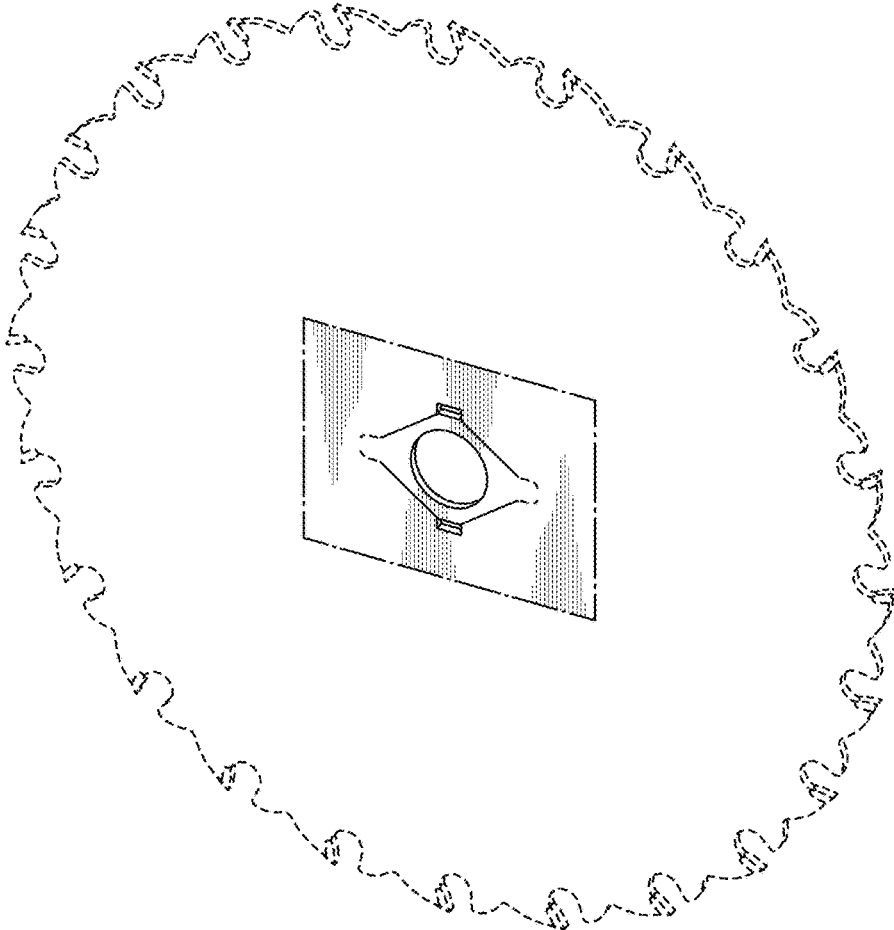


FIG. 1

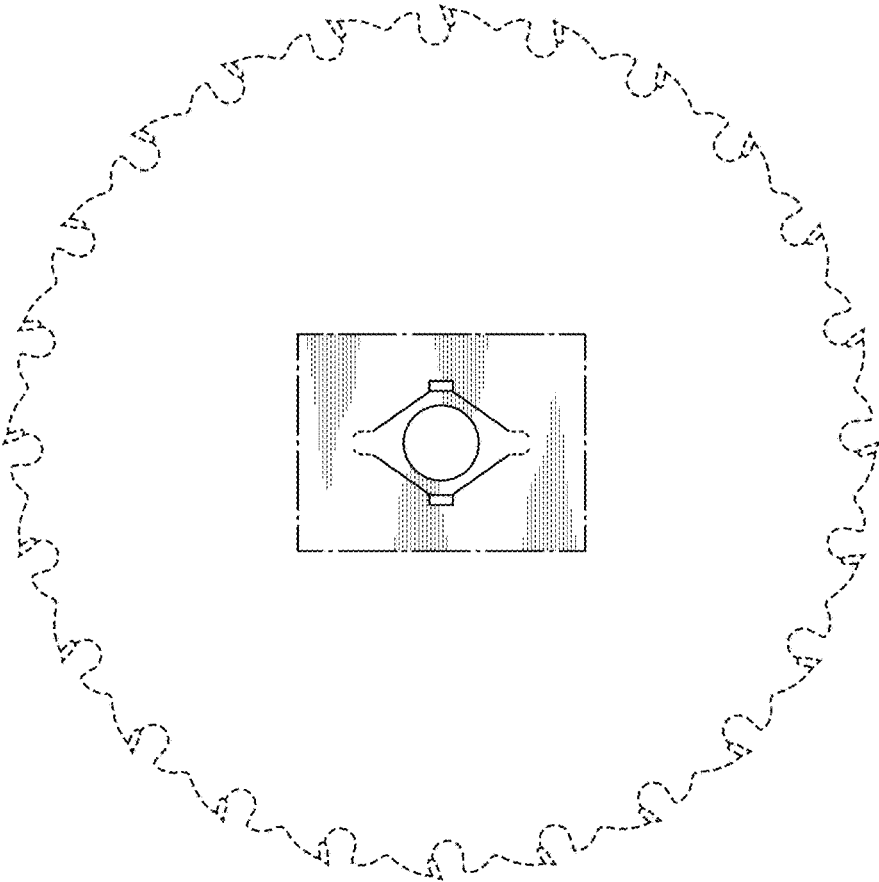


FIG. 2

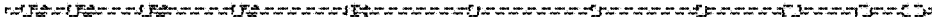


FIG. 3



FIG. 4

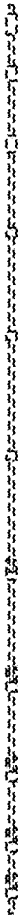


FIG. 5

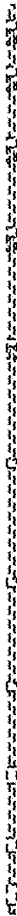


FIG. 6

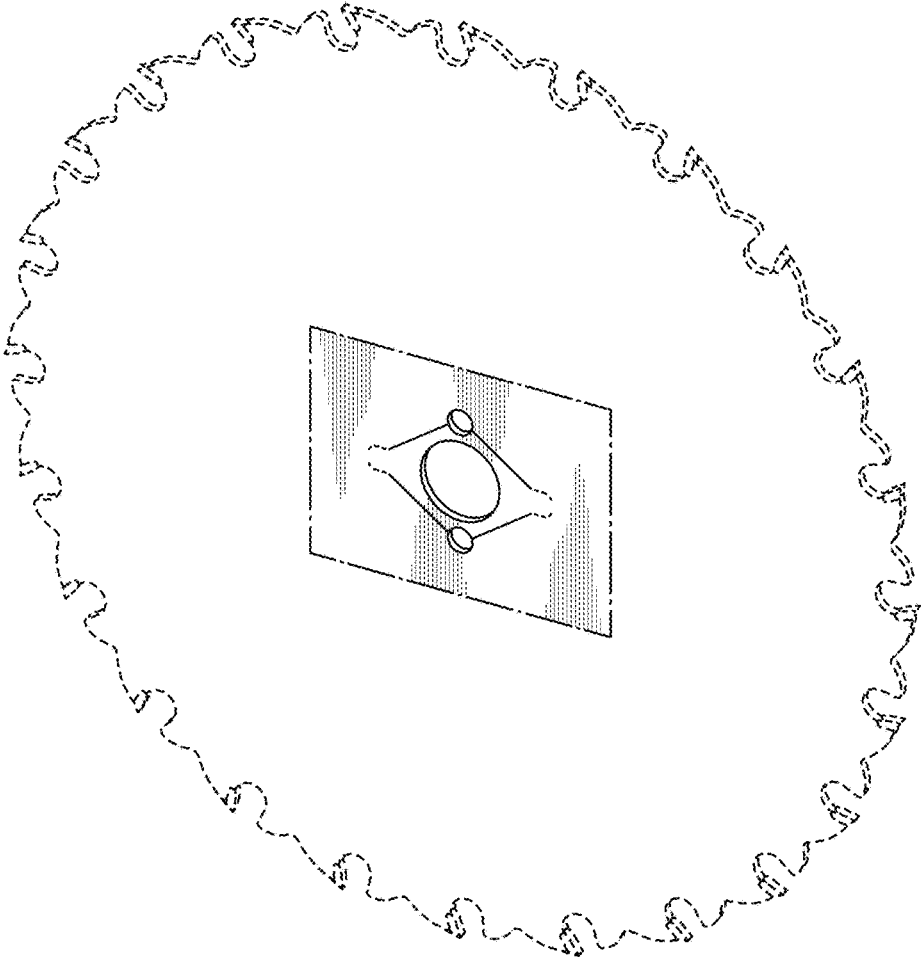


FIG. 7

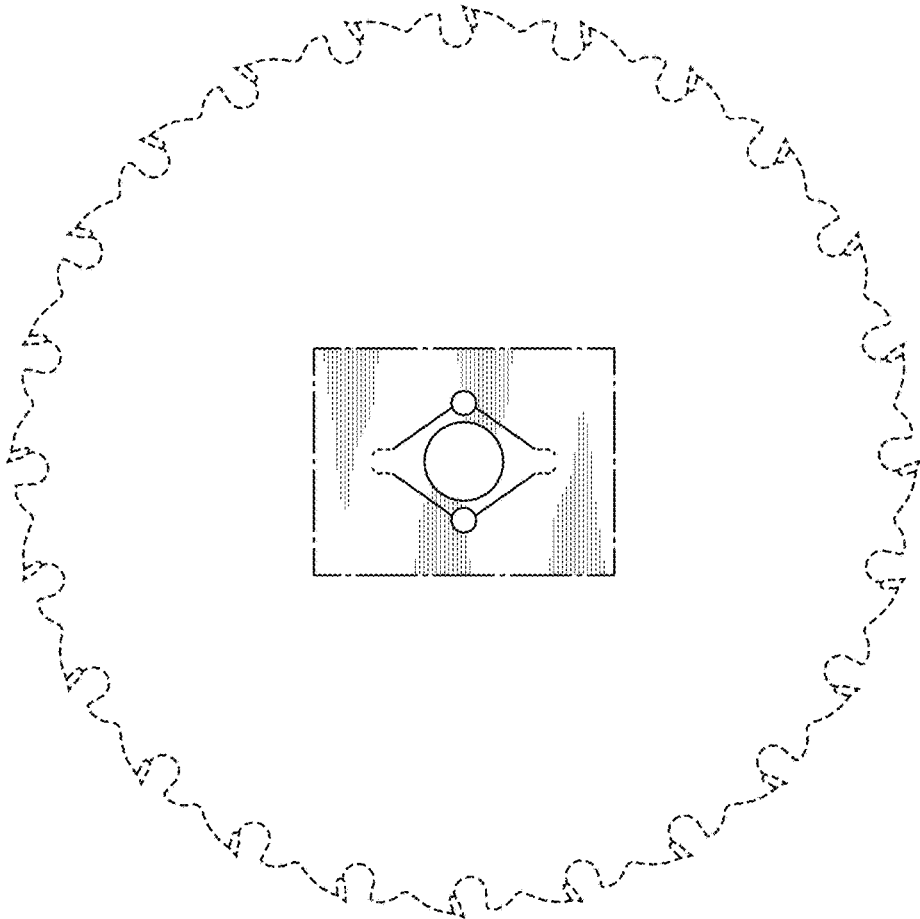


FIG. 8



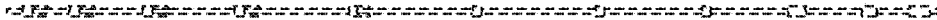


FIG. 9



FIG. 10



FIG. 11



FIG. 12

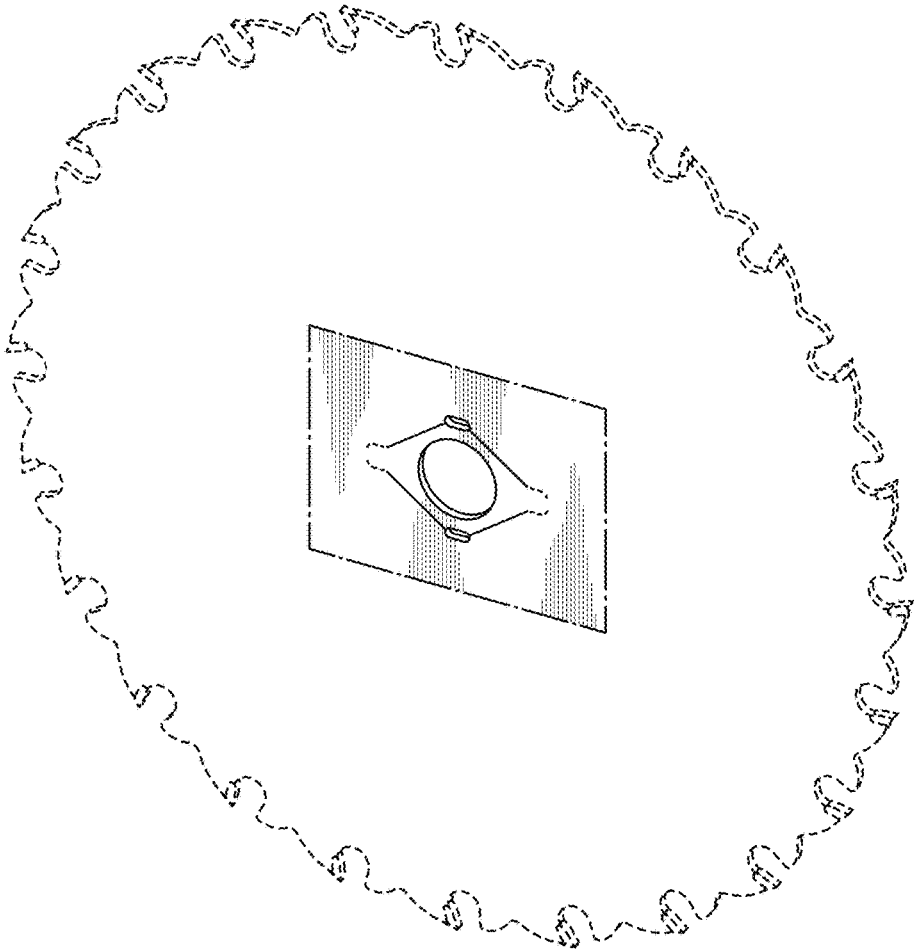


FIG. 13

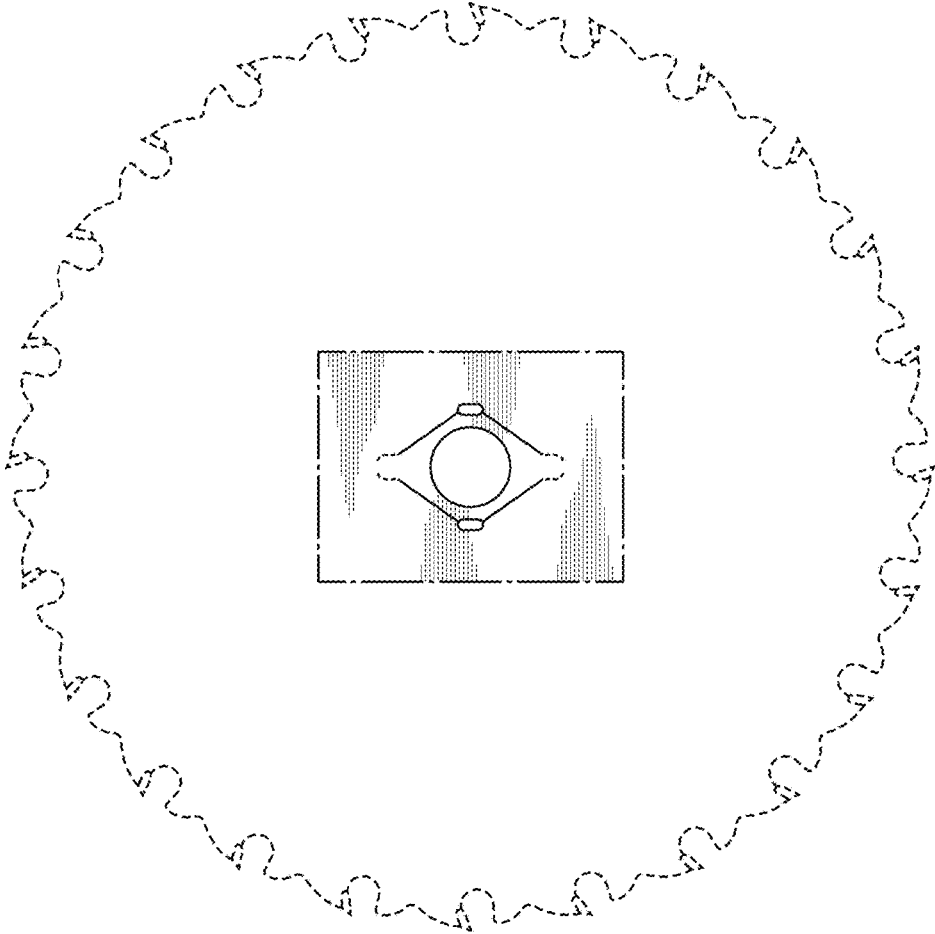


FIG. 14

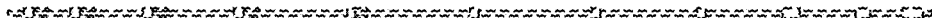


FIG. 15

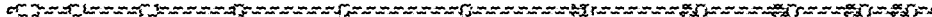


FIG. 16



FIG. 17

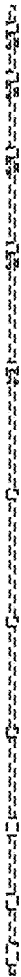


FIG. 18

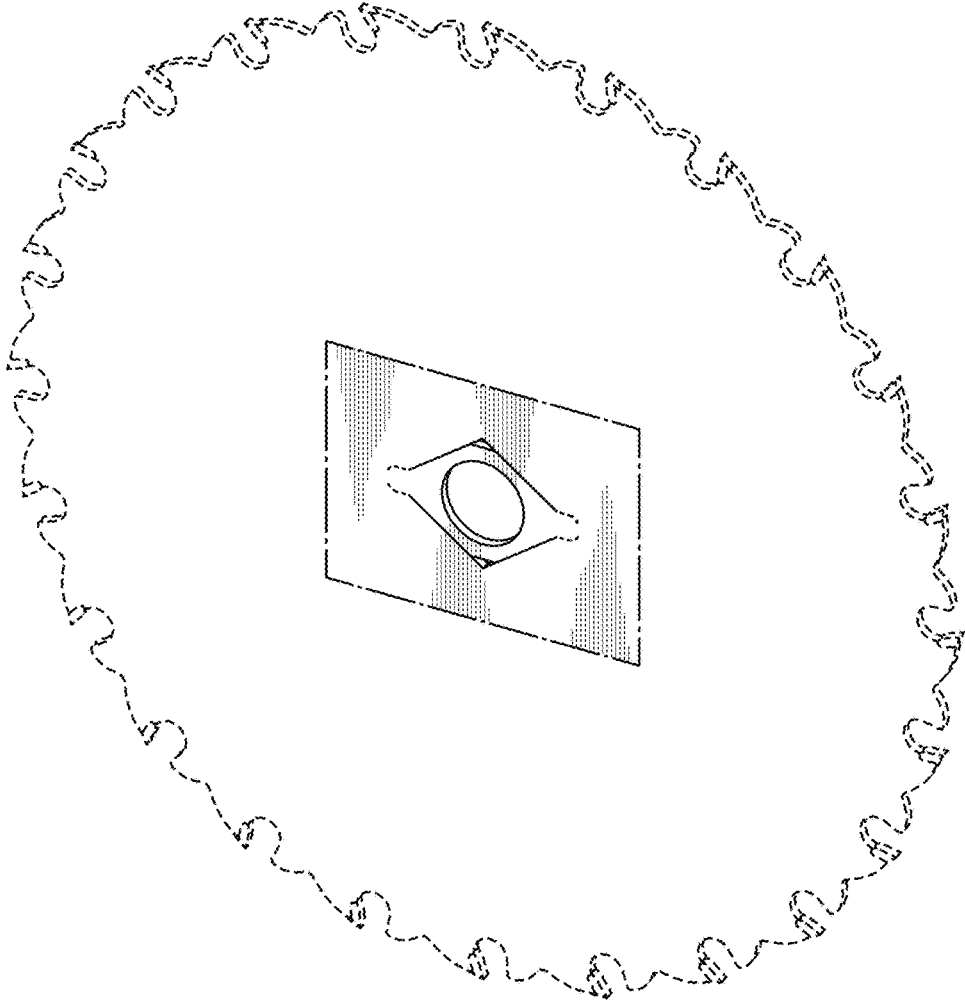


FIG. 19

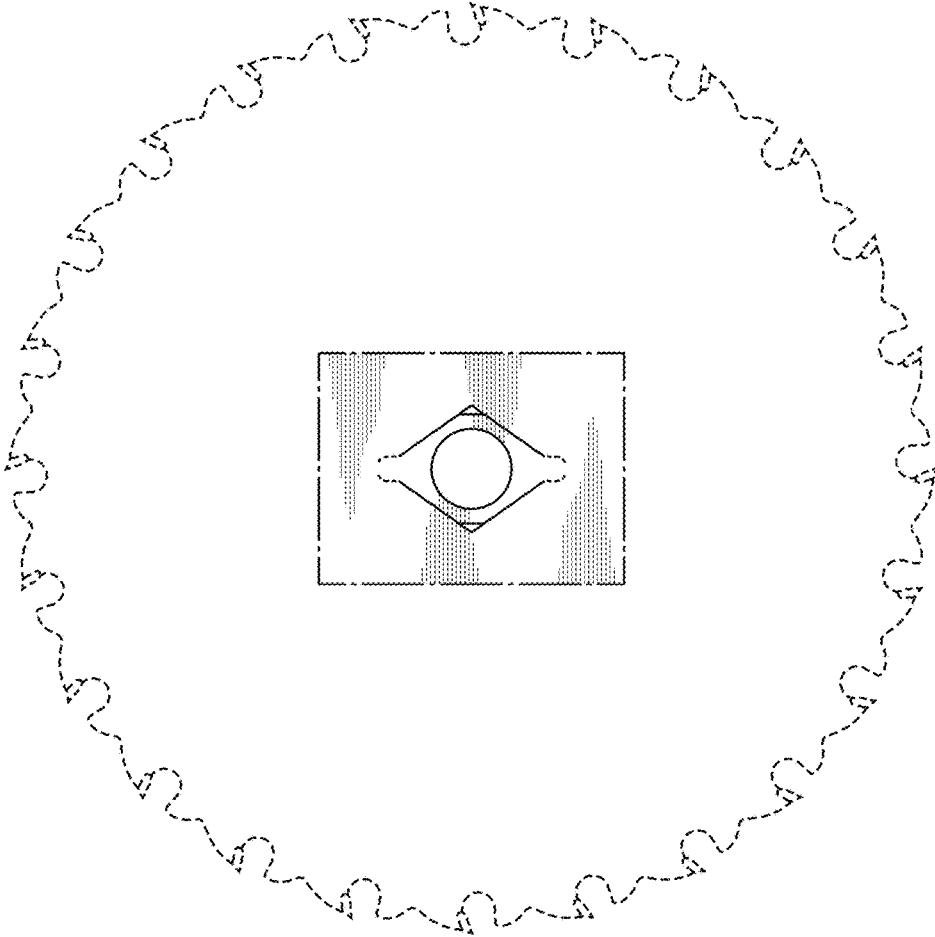


FIG. 20





FIG. 21

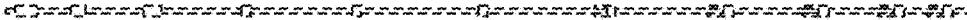


FIG. 22



FIG. 23



FIG. 24

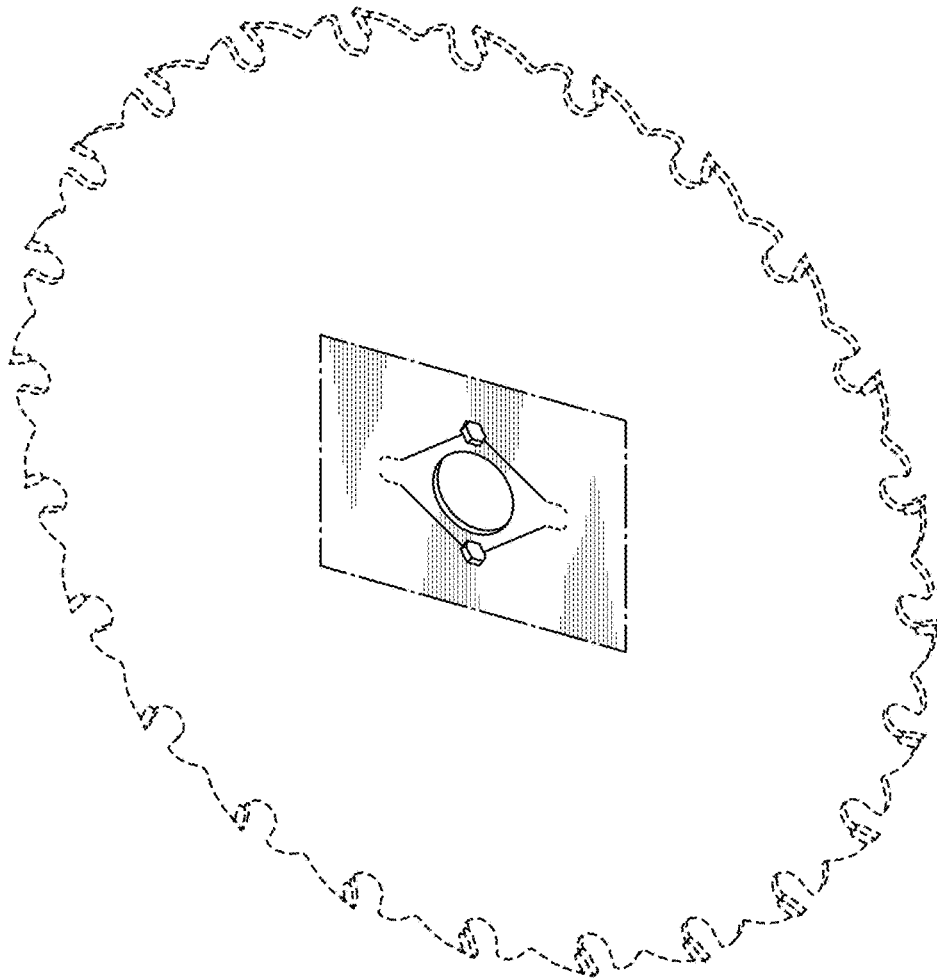


FIG. 25

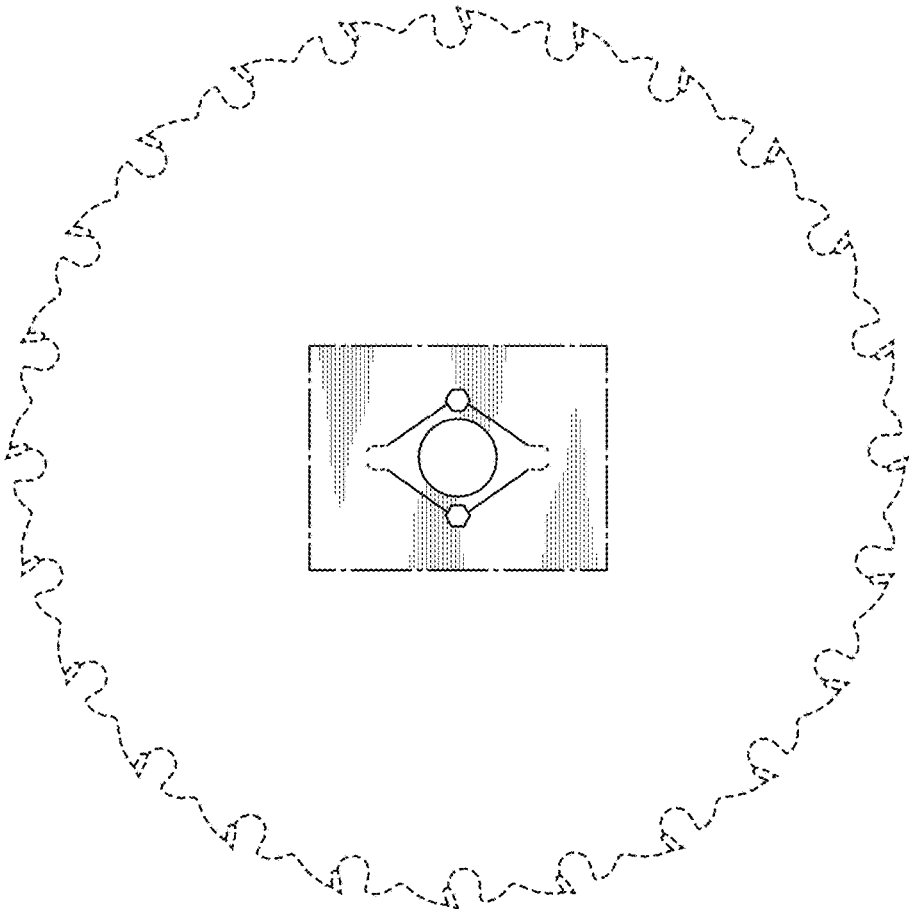


FIG. 26

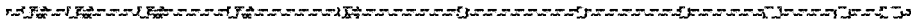


FIG. 27

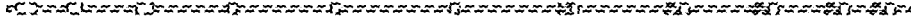


FIG. 28



FIG. 29



FIG. 30