



US00D988210S

(12) **United States Design Patent** (10) **Patent No.:** **US D988,210 S**  
**Willing et al.** (45) **Date of Patent:** **\*\* Jun. 6, 2023**

(54) **VEHICLE FRONT BUMPER COVER**  
(71) Applicant: **Ford Global Technologies, LLC,**  
Dearborn, MI (US)  
(72) Inventors: **Todd Willing,** Grosse Pointe, MI (US);  
**Max Wolff,** Elstermwick (AU); **Max**  
**Tran,** Pascoe Vale (AU); **Leigh H.**  
**Cosentino,** Seddon (AU); **Tae Hoon**  
**Kang,** Essendon (AU); **Lee P. Imrie,**  
Bundoora (AU)  
(73) Assignee: **Ford Global Technologies, LLC,**  
Dearborn, MI (US)

D746,734 S \* 1/2016 Wolff ..... D12/169  
D812,527 S \* 3/2018 Perkins ..... D12/169  
D812,528 S \* 3/2018 Nakamura ..... D12/169  
D841,533 S \* 2/2019 Imai ..... D12/169  
D845,193 S \* 4/2019 Ino ..... D12/169  
D850,998 S \* 6/2019 Woodhouse ..... D12/169  
D856,866 S \* 8/2019 Lucas ..... D12/169  
D860,883 S \* 9/2019 Heo ..... D12/167  
D863,148 S \* 10/2019 Woodhouse ..... D12/169  
D889,331 S \* 7/2020 O'Donnell ..... D12/169  
D891,322 S \* 7/2020 Woodhouse ..... D12/169  
D902,798 S \* 11/2020 Hamilton ..... D12/169  
D913,168 S \* 3/2021 Yoneyama ..... D12/169  
D918,101 S \* 5/2021 Gay ..... D12/169  
D935,355 S \* 11/2021 Patel ..... D12/169  
D935,356 S \* 11/2021 Patel ..... D12/169  
D971,094 S \* 11/2022 Satou ..... D12/169

(\*\*) Term: **15 Years**

\* cited by examiner

(21) Appl. No.: **29/814,405**

*Primary Examiner* — Melody N Brown

(22) Filed: **Nov. 5, 2021**

(74) *Attorney, Agent, or Firm* — Vichit Chea

(51) **LOC (14) Cl.** ..... **12-16**

(57) **CLAIM**

(52) **U.S. Cl.** ..... **D12/169**  
USPC ..... **D12/169**

The ornamental design for a vehicle front bumper cover, as shown and described.

(58) **Field of Classification Search**  
USPC ..... D12/169, 196, 86, 90-92, 163, 190, 98,  
D12/164; 293/102, 113, 115, 117, 120,  
293/193.11; 296/180.1, 180.2  
CPC ..... B60R 19/02; B60R 19/04; B62D 25/08  
See application file for complete search history.

**DESCRIPTION**

FIG. 1 is a front elevational view of a vehicle front bumper cover, showing our new design;  
FIG. 2 is a left side elevational view thereof;  
FIG. 3 is a right side elevational view thereof;  
FIG. 4 is a top plan view thereof;  
FIG. 5 is a bottom plan view thereof;  
FIG. 6 is a top, front and left side perspective view thereof;  
and,  
FIG. 7 is a bottom, front and left side perspective view thereof.

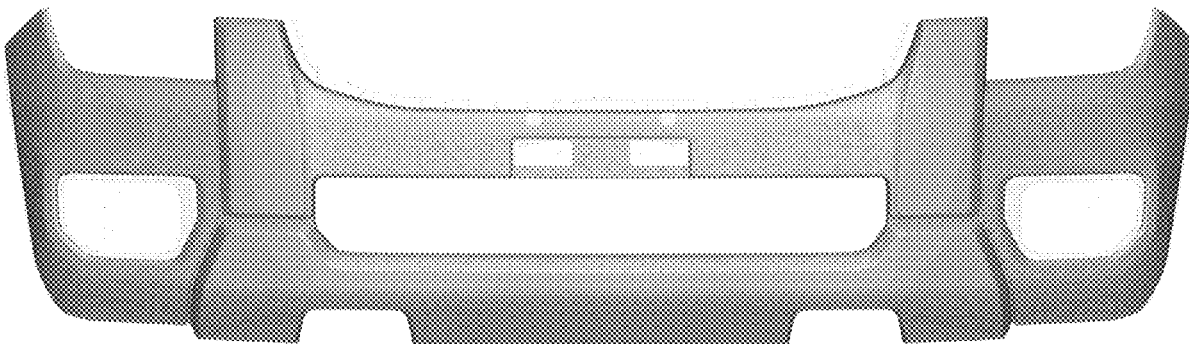
The claimed design is indicated by the relatively dark portions in the figures. The de-emphasized and relatively light portions form no part of the claimed design.

**1 Claim, 7 Drawing Sheets**

(56) **References Cited**

**U.S. PATENT DOCUMENTS**

D561,662 S \* 2/2008 Ellis ..... D12/169  
D578,939 S \* 10/2008 Tachibana ..... D12/169  
D586,709 S \* 2/2009 Saridakis ..... D12/169  
D606,912 S \* 12/2009 Sahs ..... D12/169  
D631,406 S \* 1/2011 Kuze ..... D12/169  
D664,483 S \* 7/2012 Platto ..... D12/169  
D668,594 S \* 10/2012 Davidson ..... D12/169  
D739,315 S \* 9/2015 Blanski ..... D12/169



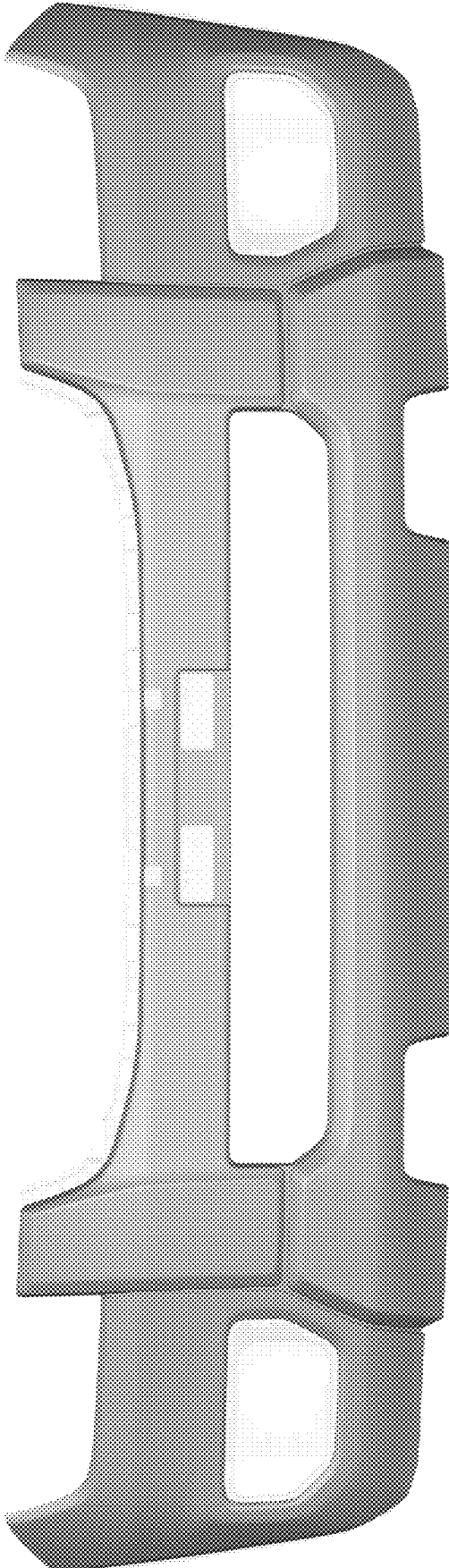


Fig.1

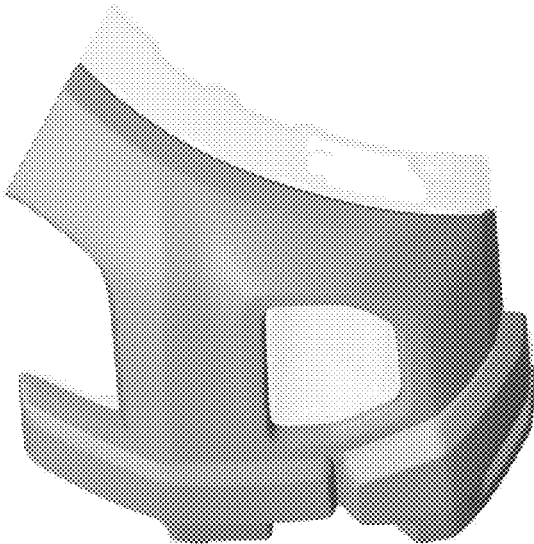


Fig. 2

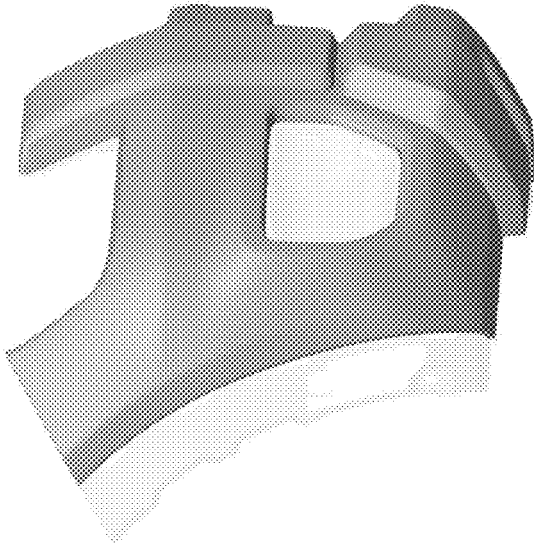


Fig. 3

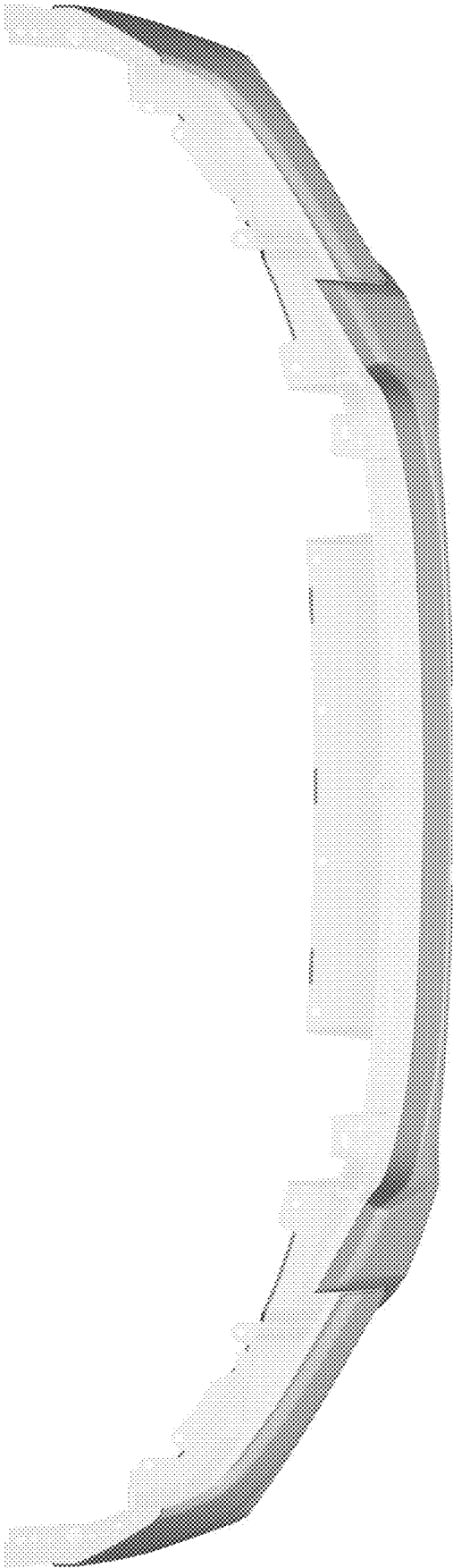


Fig.4

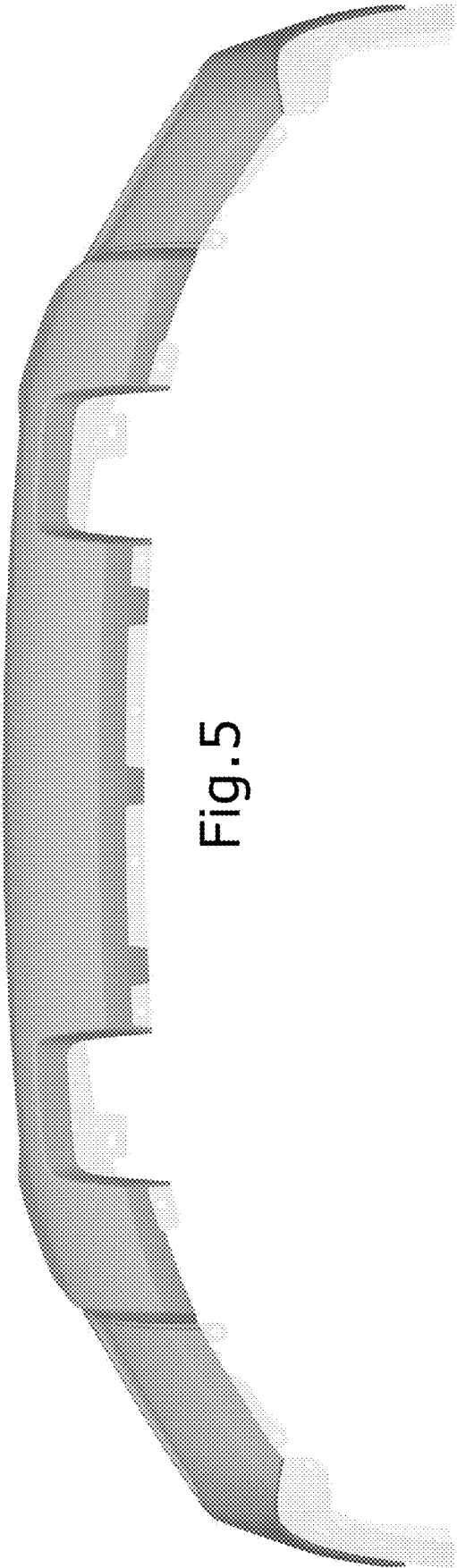


Fig. 5

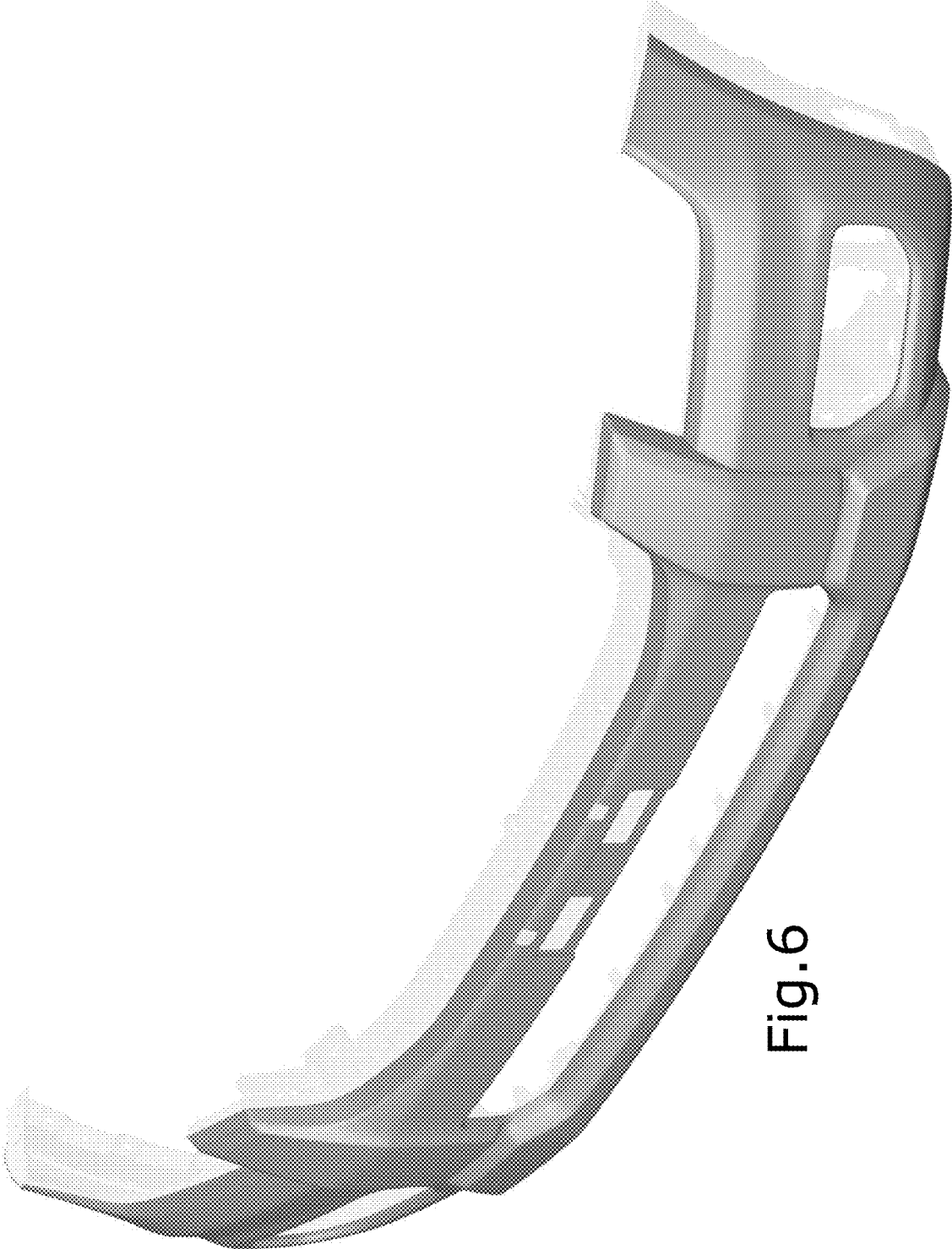


Fig. 6

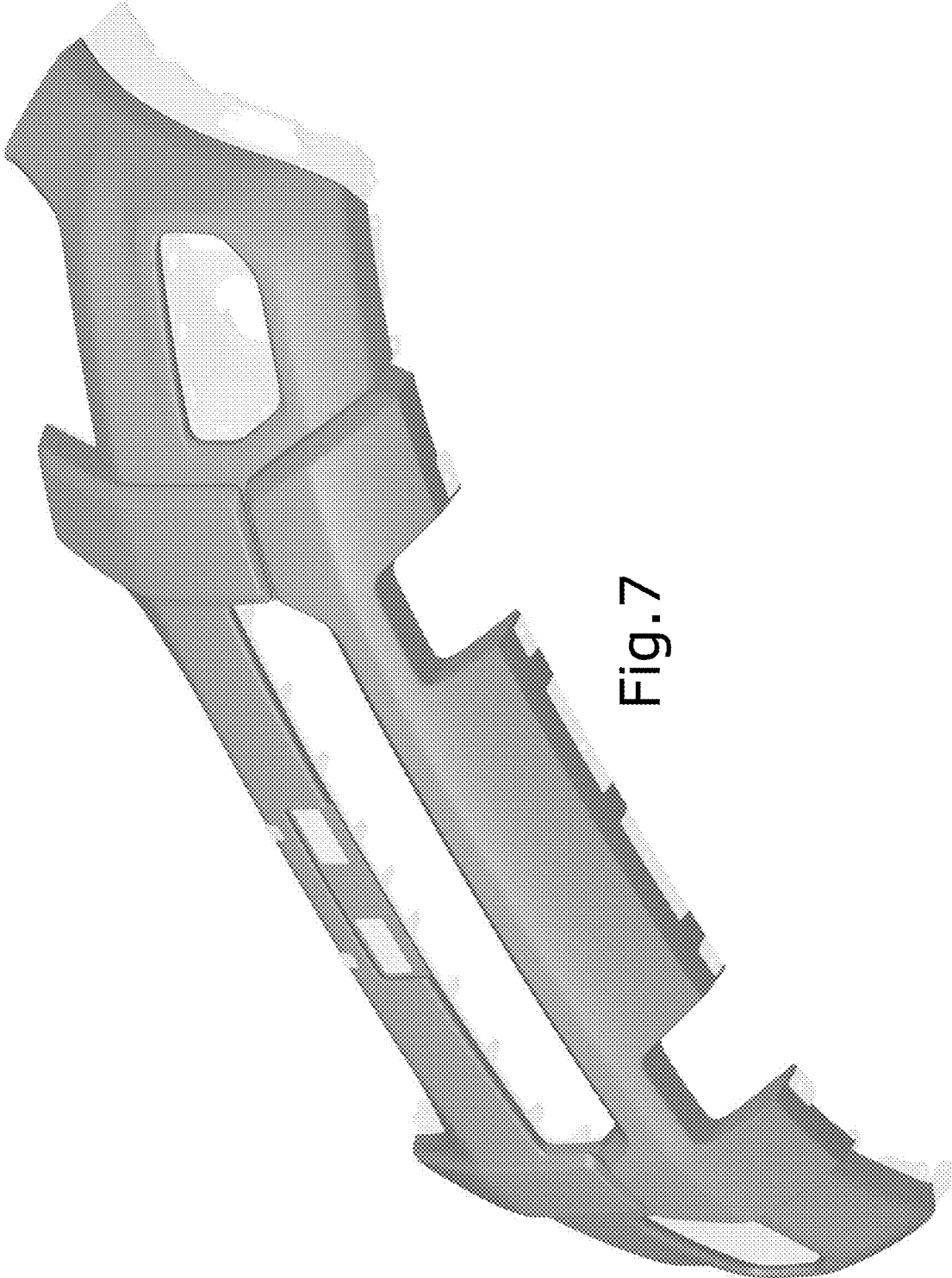


Fig. 7