



US00D745469S

(12) **United States Design Patent**
Farnum et al.

(10) **Patent No.:** **US D745,469 S**

(45) **Date of Patent:** **** Dec. 15, 2015**

(54) **COVER PLATE FOR AN ELECTRICAL DEVICE**

(71) Applicant: **IDEAL INDUSTRIES, INC.**,
Sycamore, IL (US)

(72) Inventors: **Ron Farnum**, Lombard, IL (US); **John Olson**, Chicago, IL (US)

(73) Assignee: **IDEAL Industries, Inc.**, Sycamore, IL (US)

(**) Term: **14 Years**

(21) Appl. No.: **29/469,865**

(22) Filed: **Oct. 15, 2013**

(51) **LOC (10) Cl.** **13-03**

(52) **U.S. Cl.**
USPC **D13/156**

(58) **Field of Classification Search**

USPC D13/154-156, 107, 184, 199; D8/349, D8/350, 351, 353; D14/432, 217
CPC H02G 1/08; H02G 1/14; H02G 3/00; H02G 3/04; H02G 3/0148; H02G 3/08; H02G 3/081; H02G 3/083; H02G 3/10; H02G 3/12; H02G 3/18; H02G 3/185; H02G 15/10; H02G 15/085; H01R 3/00; H01R 11/16; H01R 13/18; H01R 25/06; H01H 1/38; H01H 1/5866; H01H 27/00

See application file for complete search history.

(56) **References Cited**

U.S. PATENT DOCUMENTS

D464,329 S *	10/2002	Mainiero	D13/169
D474,161 S *	5/2003	Mansson et al.	D13/199
D569,811 S *	5/2008	Kinnard	D13/156
D571,734 S *	6/2008	Takach et al.	D13/156
7,495,171 B2 *	2/2009	Gorin et al.	174/66

* cited by examiner

Primary Examiner — Daniel Bui

Assistant Examiner — Khawaja Anwar

(74) *Attorney, Agent, or Firm* — Greenberg Traurig, LLP

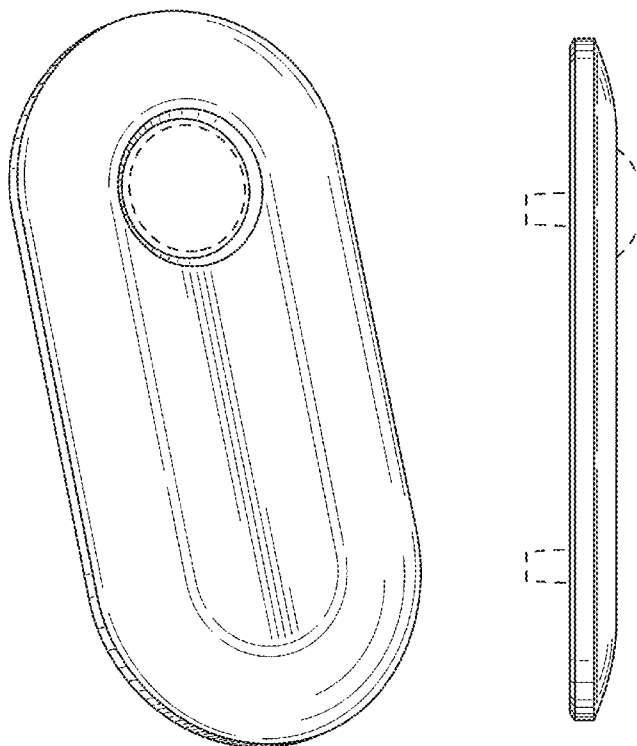
(57) **CLAIM**

What is claimed is the ornamental design for a cover plate for an electrical device, as shown and described.

DESCRIPTION

FIG. 1 is a perspective view of a cover plate for an electrical device showing the new design; FIG. 2 is a top plan view thereof; FIG. 3 is a bottom plan view thereof; FIG. 4 is a left side elevational view thereof; FIG. 5 is a right side elevational view thereof; FIG. 6 is a rear side elevational view thereof; and, FIG. 7 is a front side elevational view thereof. The broken lines in the figure drawings show unclaimed environment only and form no part of the claimed design.

1 Claim, 4 Drawing Sheets



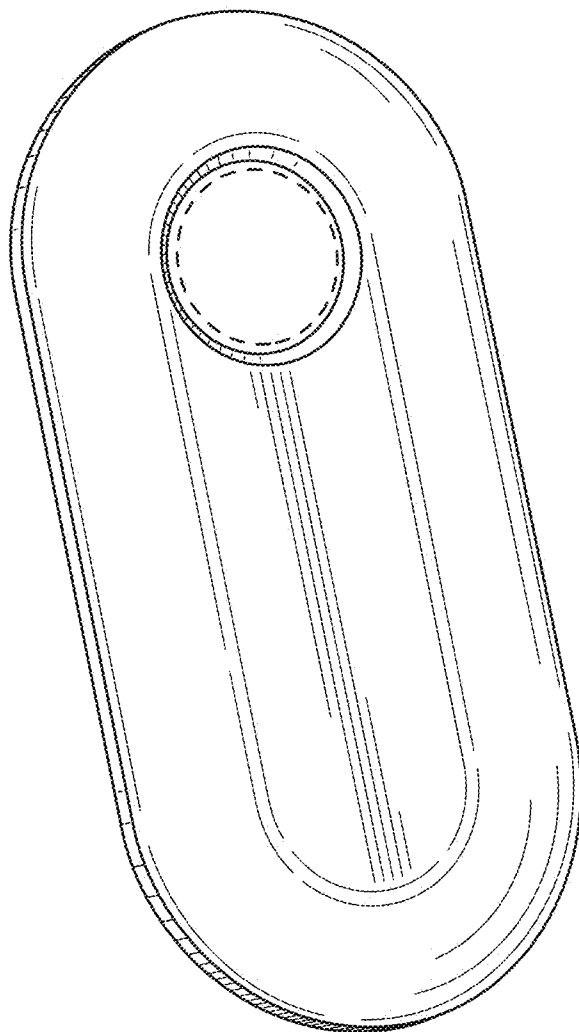


FIG. 1

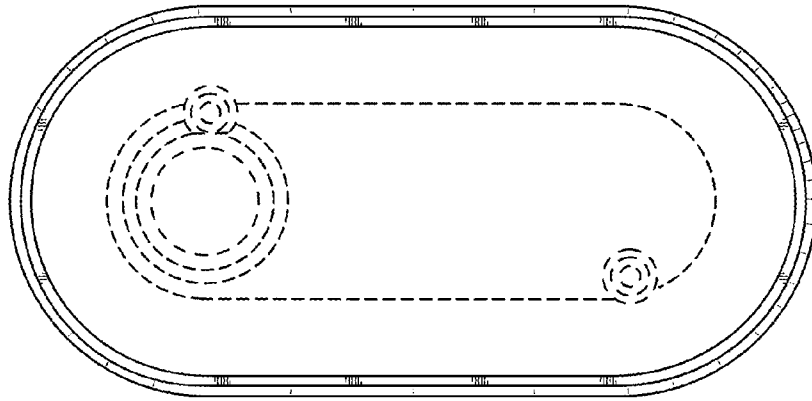


FIG. 3

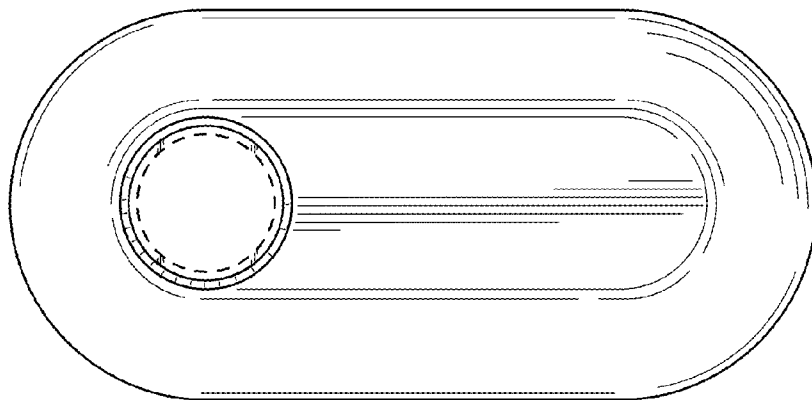


FIG. 2

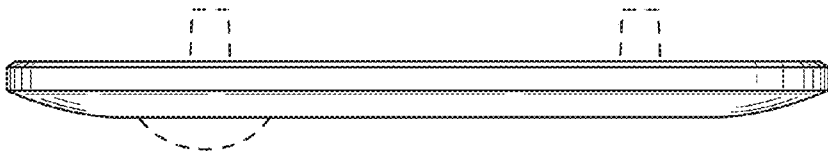


FIG. 5

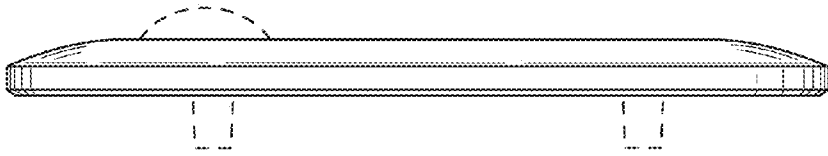


FIG. 4

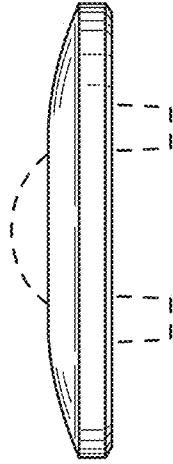


FIG. 6

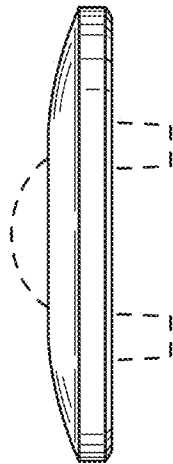


FIG. 7