



US00D533930S

(12) **United States Design Patent**
Keller, Jr. et al.

(10) **Patent No.:** **US D533,930 S**

(45) **Date of Patent:** **** Dec. 19, 2006**

(54) **AIR FRESHENER DEVICE**

(75) Inventors: **Leonard Joseph Keller, Jr.**, Cincinnati, OH (US); **Ricky Ah-Man Woo**, Hamilton, OH (US); **Michael Sean Farrell**, Terrace Park, OH (US)

(73) Assignee: **The Procter & Gamble Company**, Cincinnati, OH (US)

(**) Term: **14 Years**

(21) Appl. No.: **29/244,073**

(22) Filed: **Dec. 5, 2005**

Related U.S. Application Data

(63) Continuation-in-part of application No. 29/211,426, filed on Aug. 16, 2004, now abandoned.

(51) **LOC (8) Cl.** **28-99**

(52) **U.S. Cl.** **D23/366**

(58) **Field of Classification Search** 392/386, 392/390-394, 398, 401, 403, 405-406; 239/135-136, 239/34, 35, 56-58, 37, 41, 42, 60; 261/DIG. 17, 261/DIG. 65, DIG. 88, DIG. 89; D23/355-369
See application file for complete search history.

(56) **References Cited**

U.S. PATENT DOCUMENTS

- D393,063 S * 3/1998 Wefler D23/366
- D425,190 S * 5/2000 Morikawa D23/366
- D432,222 S * 10/2000 Rymer et al. D23/366
- D433,744 S * 11/2000 Basaganas D23/366
- D437,636 S * 2/2001 Basaganas D23/366
- D439,320 S * 3/2001 Lee D23/366
- D440,291 S * 4/2001 Wolpert et al. D23/360
- D447,550 S * 9/2001 Basaganas D23/366
- D449,101 S * 10/2001 Wolpert et al. D23/366
- D456,886 S * 5/2002 Hart et al. D23/366
- D461,549 S * 8/2002 Garcia D23/360
- D461,885 S * 8/2002 Jordi D23/366

- D462,755 S * 9/2002 Basaganas Millan D23/366
- D465,019 S * 10/2002 Wu D23/366
- D466,204 S * 11/2002 Wolpert et al. D23/366
- D468,627 S * 1/2003 Dampney D9/693
- D469,862 S * 2/2003 Cruver et al. D23/366
- D473,638 S * 4/2003 Cruver, IV D23/366
- D474,268 S * 5/2003 Choke-arpornchai et al. D23/366
- D478,379 S * 8/2003 Talenton et al. D23/366
- D480,792 S * 10/2003 Millan D23/366
- D481,787 S * 11/2003 Millan D23/366
- D485,340 S * 1/2004 Wu D23/366
- D485,341 S * 1/2004 Wu D23/366
- D487,144 S * 2/2004 Choke-arpornchai et al. D23/366
- D491,256 S * 6/2004 Fellows et al. D23/366
- D491,798 S * 6/2004 Buthier D23/366
- D493,899 S * 8/2004 Grodsky et al. D26/26
- D501,546 S * 2/2005 Cruver et al. D23/366
- D501,921 S * 2/2005 Caserta et al. D23/366
- D502,540 S * 3/2005 Cruver et al. D23/366

* cited by examiner

Primary Examiner—Sandra S. Snapp

(74) *Attorney, Agent, or Firm*—Thibault Fayette; Brent M. Peebles

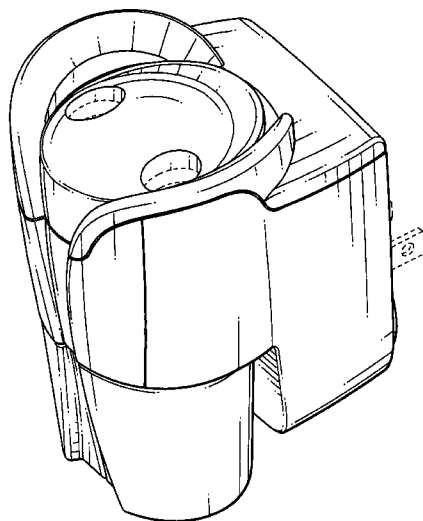
(57) **CLAIM**

The ornamental design for an air freshener device, as shown and described.

DESCRIPTION

FIG. 1 is a perspective view of the air freshener device, embodying the new design; FIG. 2 is a front view thereof; FIG. 3 is a right side view thereof, the opposite left side is a mirror image thereof; FIG. 4 is a top view thereof; and, FIG. 5 is a bottom view thereof. The broken lines shown in the drawings are for illustrative purposes only and form no part of the claimed design.

1 Claim, 5 Drawing Sheets



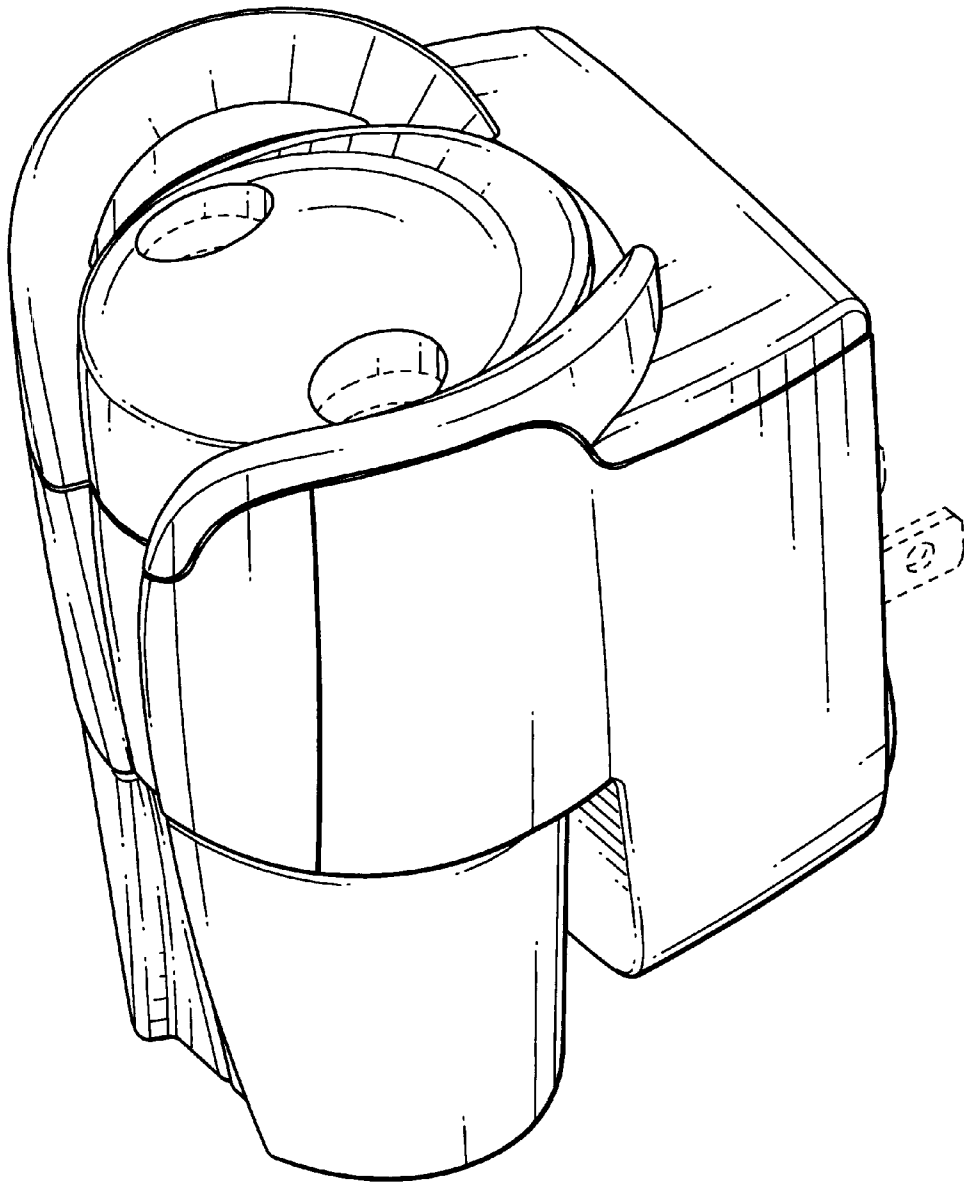


FIG. 1

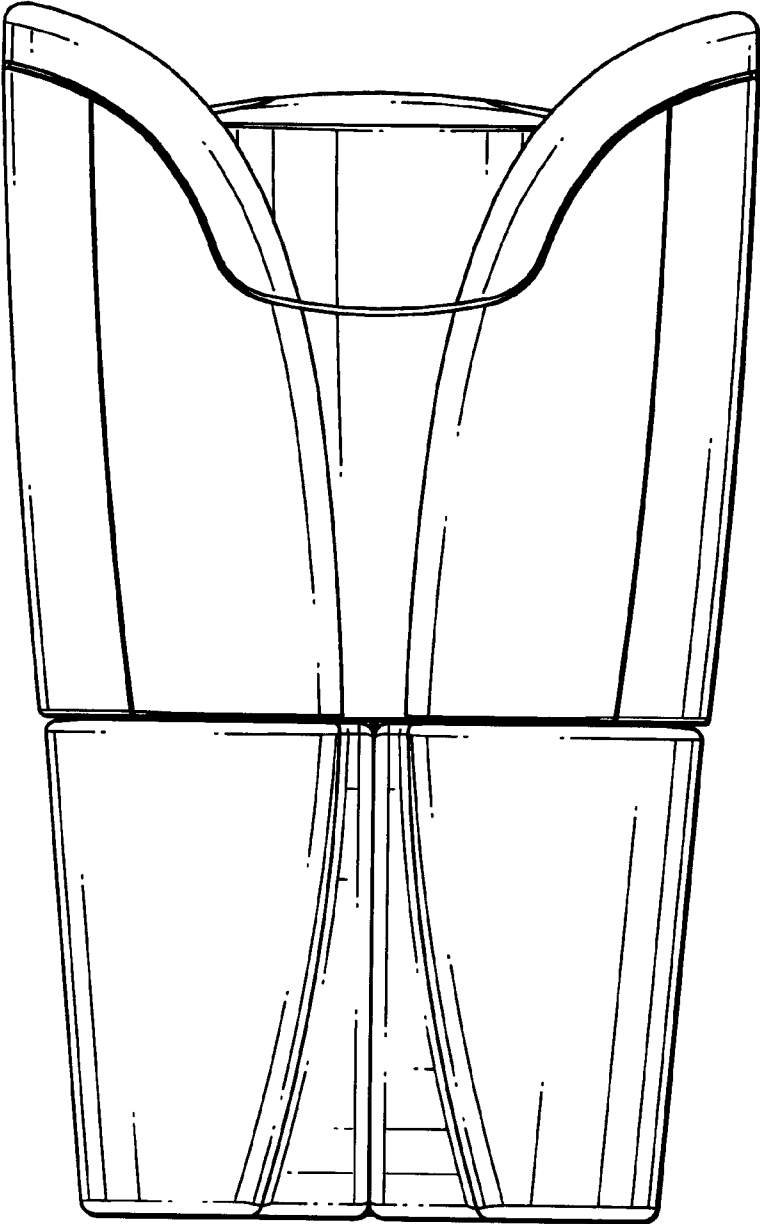


FIG. 2

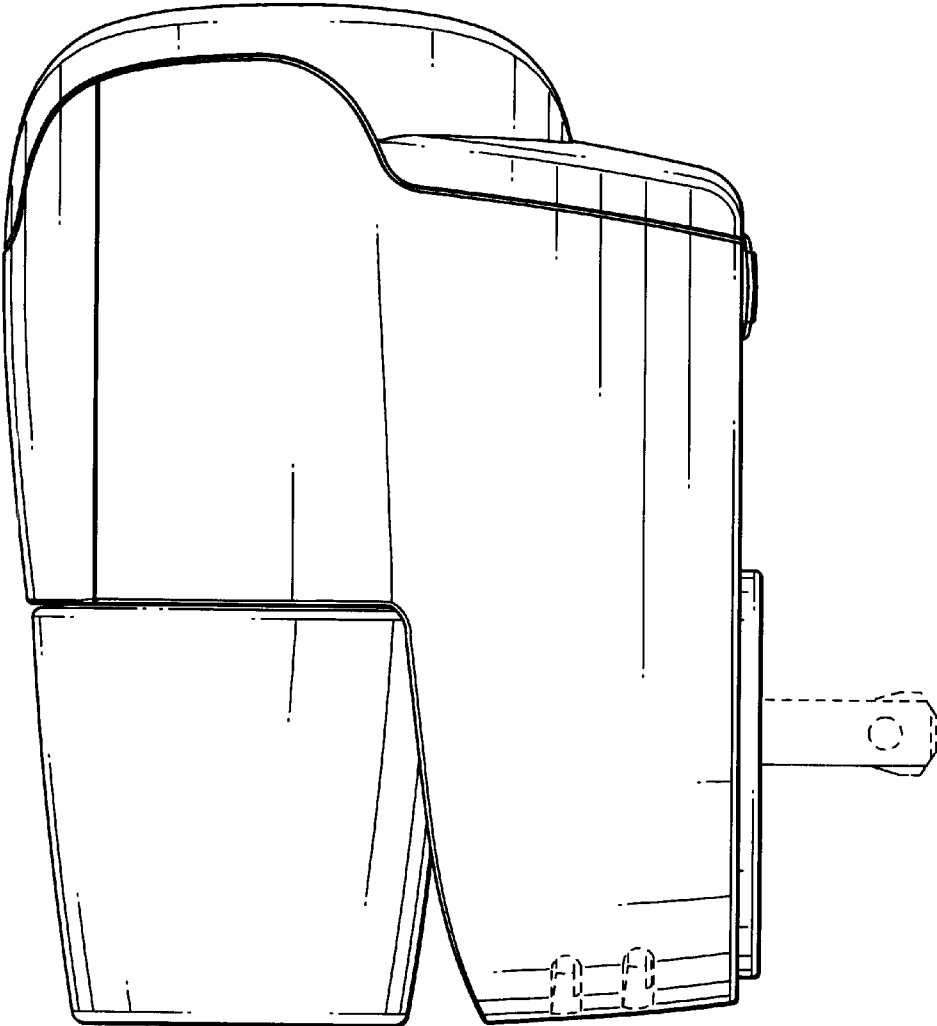


FIG. 3

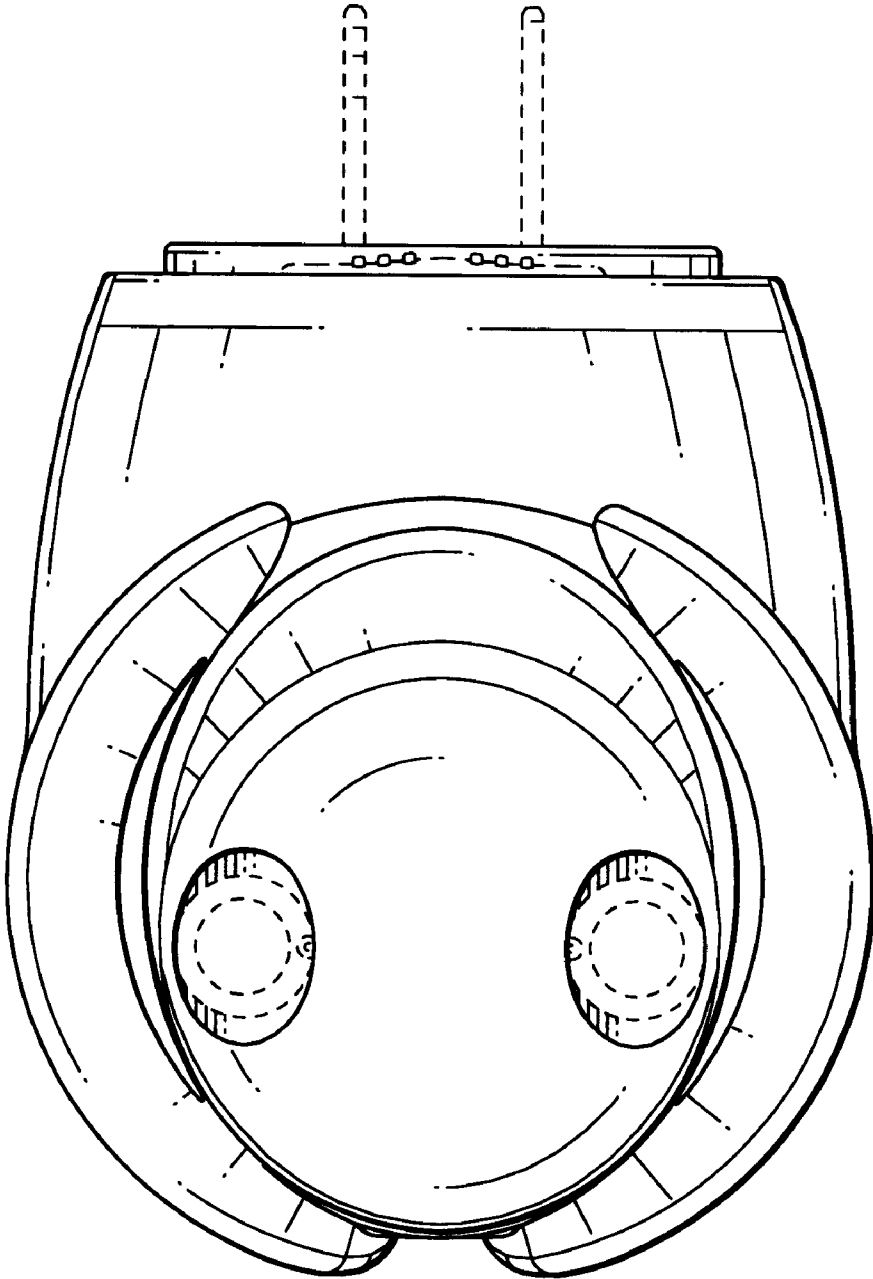


FIG. 4

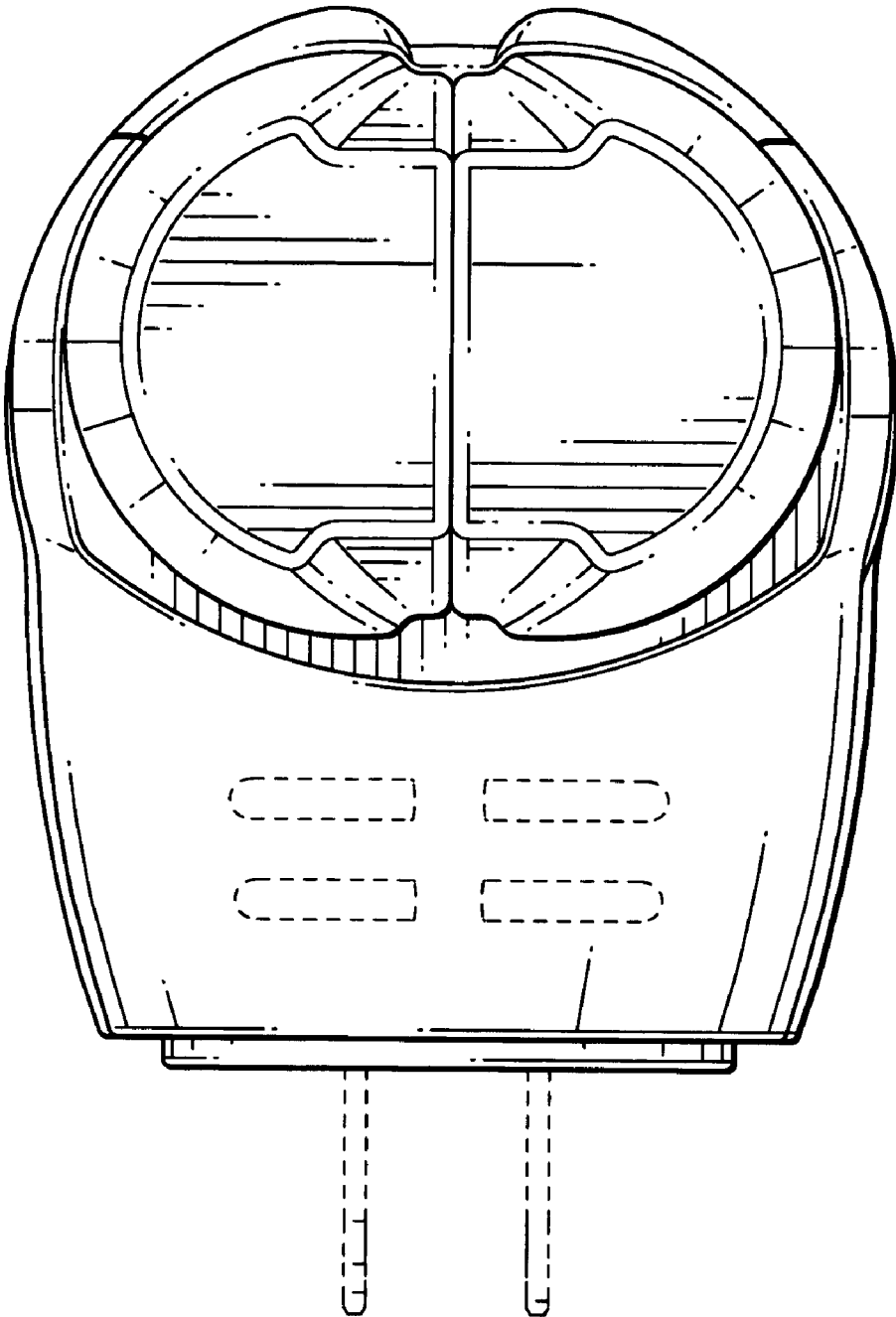


FIG. 5