



US00D357576S

United States Patent [19]

Steinweis

[11] Patent Number: Des. 357,576

[45] Date of Patent: ** Apr. 25, 1995

[54] SPEED LACE

[75] Inventor: Jack Steinweis, East Brunswick, N.J.

[73] Assignee: Fila U.S.A., Inc., Hunt Valley, Md.

[**] Term: 14 Years

[21] Appl. No.: 10,658

[22] Filed: Jul. 14, 1993

[52] U.S. Cl. D2/978; D8/367; D11/227

[58] Field of Search D2/896, 946, 976, 978; D8/367; D11/222, 227, 228; 36/50.1, 132, 136

[56] References Cited

U.S. PATENT DOCUMENTS

D. 84,311	6/1931	Whitehouse	D2/976 X
3,193,950	7/1965	Liou	D2/978 X
5,295,315	3/1994	Osawa	36/50.1

Primary Examiner—Louis S. Zarfaz
Attorney, Agent, or Firm—Davis Hoxie Faithfull & Hapgood

[57] CLAIM

The ornamental design for a speed lace, as shown and described.

DESCRIPTION

FIG. 1 is a front and top elevational view of a speed lace showing my new design;
FIG. 2 is a top plan view thereof;
FIG. 3 is a side view thereof; and,
FIG. 4 is a bottom view thereof.

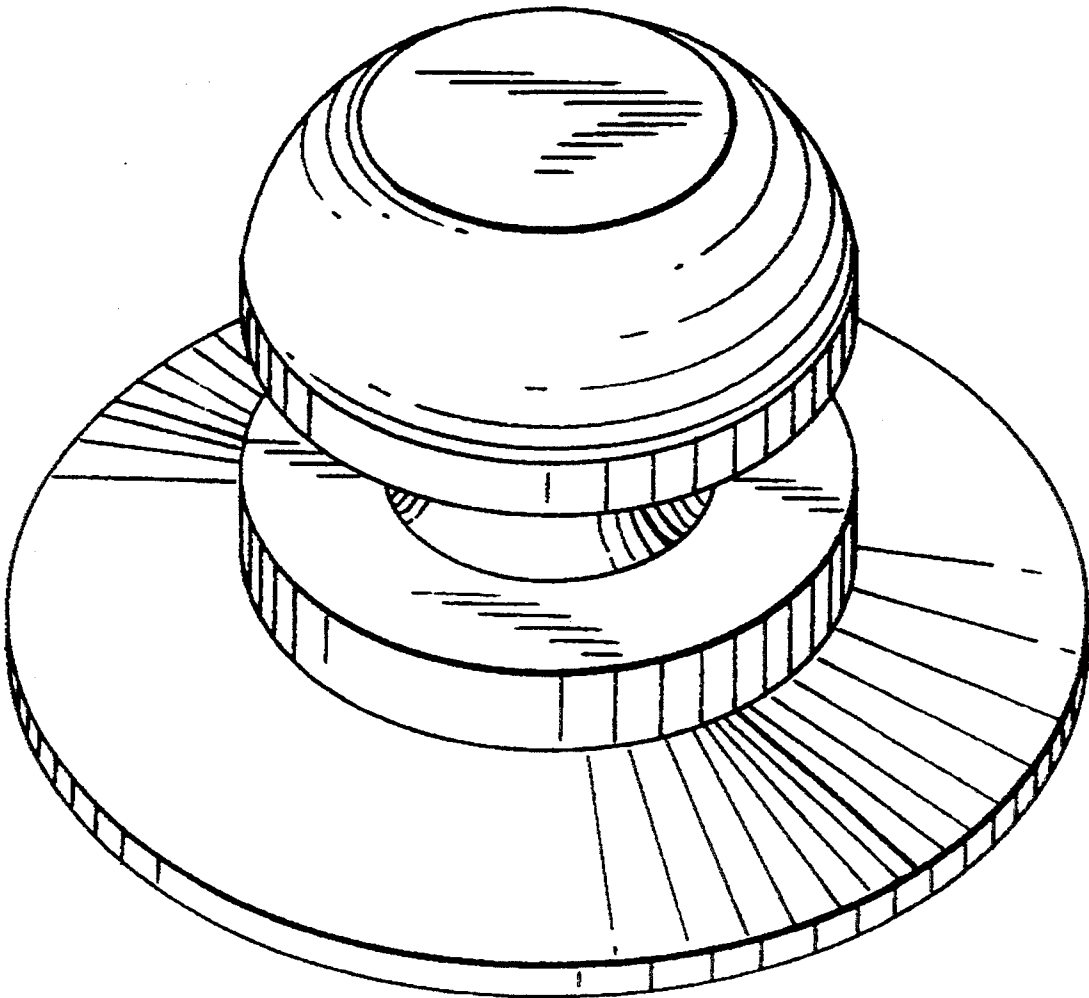


FIG. 1

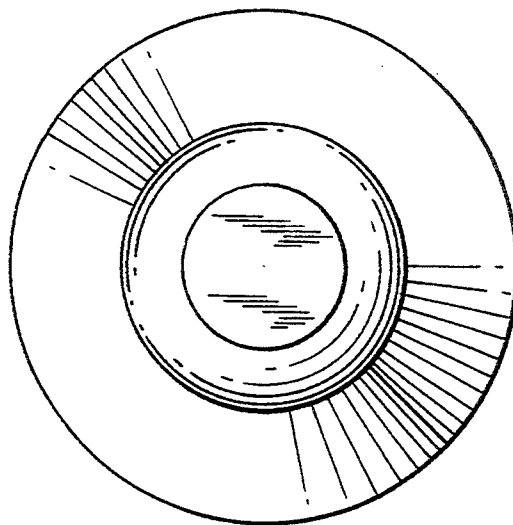
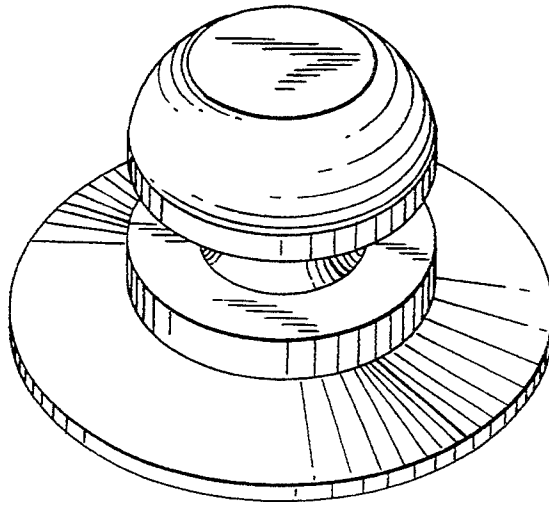


FIG. 2

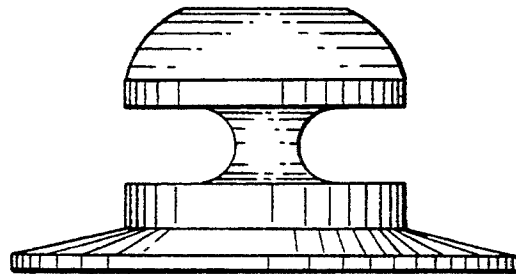


FIG. 3

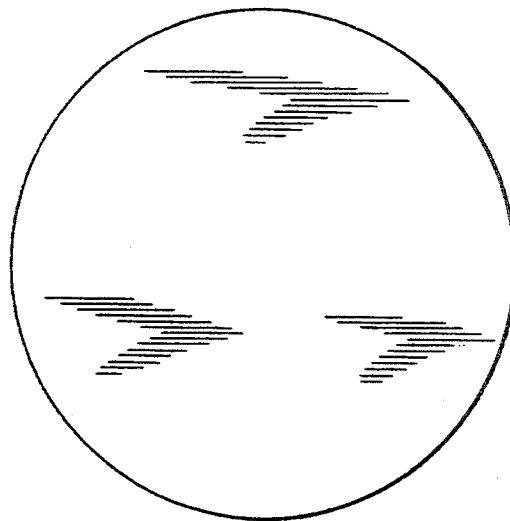


FIG. 4