

[54] VACUUM CLEANER

[75] Inventor: James Dyson, Bathford, United Kingdom

[73] Assignee: Iona Appliances Inc./Appareils Iona Inc., Welland, Canada

[**] Term: 14 Years

[21] Appl. No.: 110,957

[22] Filed: Oct. 21, 1987

[30] Foreign Application Priority Data

Apr. 21, 1987 [CA] Canada 21-04-87-4

[52] U.S. Cl. D32/22

[58] Field of Search D32/1, 21-22, D32/31-34; 15/320-325, 328-336, 338, 344-345, 346, 350, 353-354, 352

[56] References Cited

U.S. PATENT DOCUMENTS

- D. 101,322 9/1936 Beitman .
- D. 153,974 5/1949 Petersen .
- D. 155,903 11/1949 Kelly .

D. 162,633	3/1951	Dreyfuss .	
D. 193,264	7/1962	Kelnhofer .	
3,755,843	9/1973	Goertzen, III et al.	15/350
4,373,228	2/1983	Dyson	15/350
4,559,665	12/1985	Fitzwater	15/353
4,571,772	2/1986	Dyson	15/335

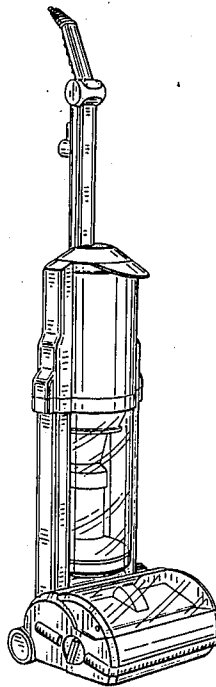
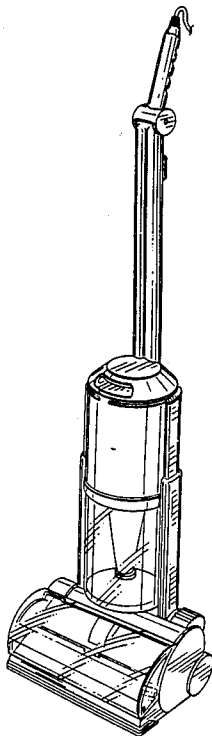
Primary Examiner—Bruce W. Dunkins
 Assistant Examiner—Ruth Takemoto
 Attorney, Agent, or Firm—Weldon F. Green

[57] CLAIM

The ornamental design for a vacuum cleaner, as shown.

DESCRIPTION

FIG. 1 is a top, front and right side perspective view of a vacuum cleaner showing my new design;
 FIG. 2 is a top, rear and left side perspective view thereof;
 FIG. 3 is a left side elevational view thereof;
 FIG. 4 is a bottom plan view thereof;
 FIG. 5 is a top, front and left side perspective view of a second embodiment thereof;
 FIG. 6 is a top, rear and right side perspective view thereof;
 FIG. 7 is a right side elevational view thereof.



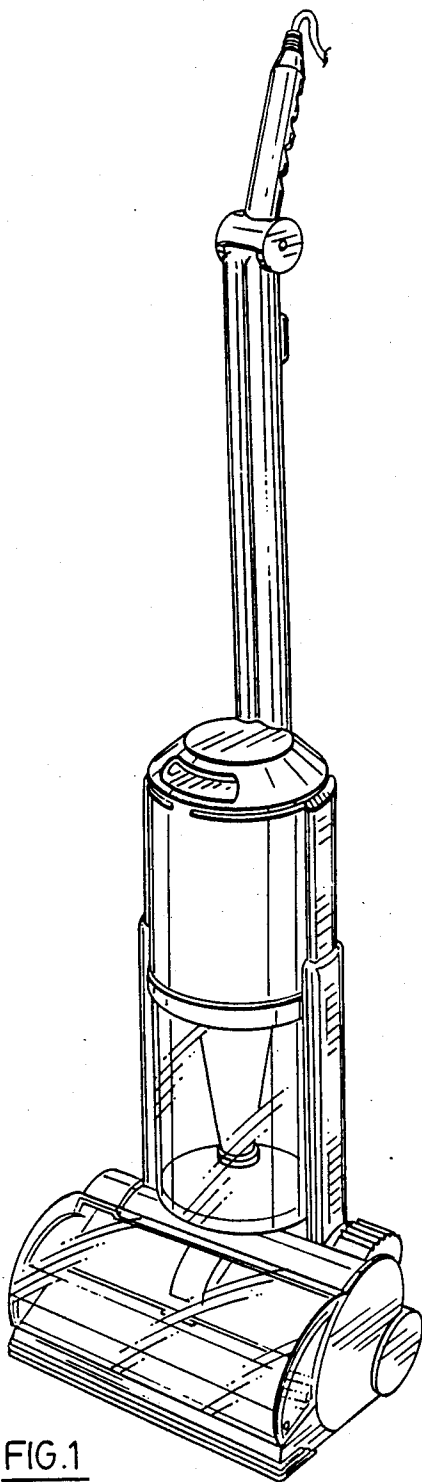


FIG. 1

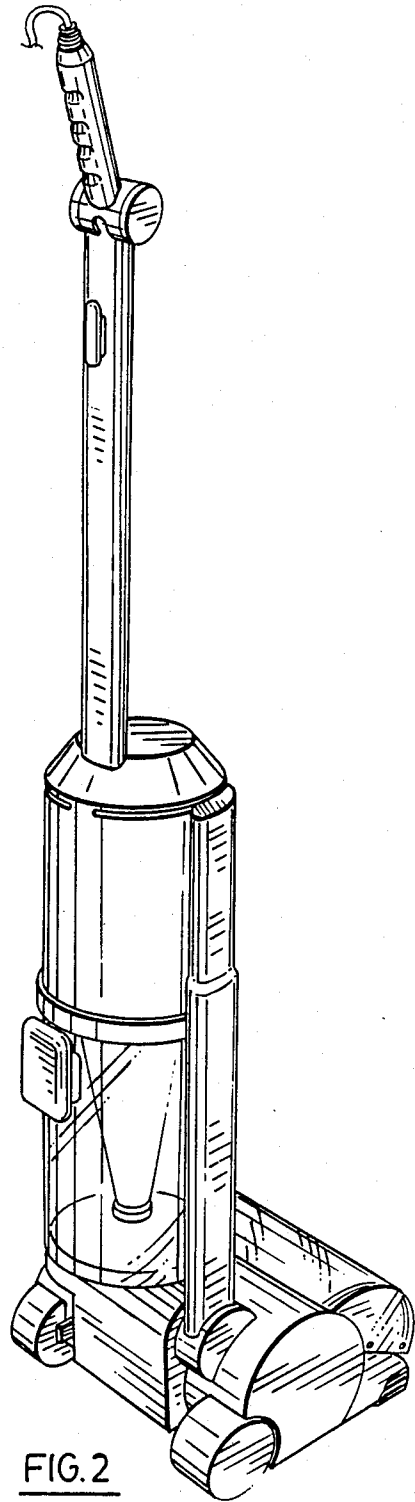


FIG. 2

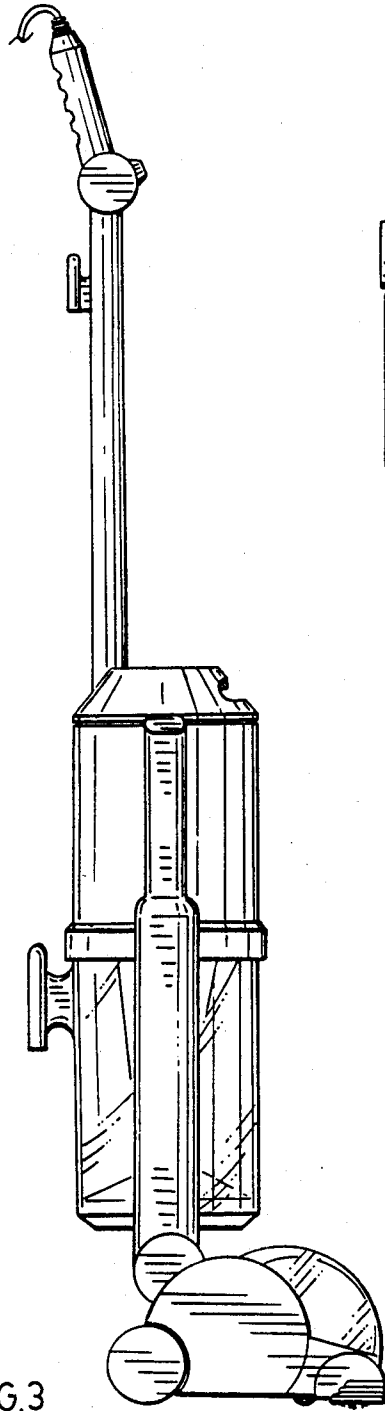


FIG. 3

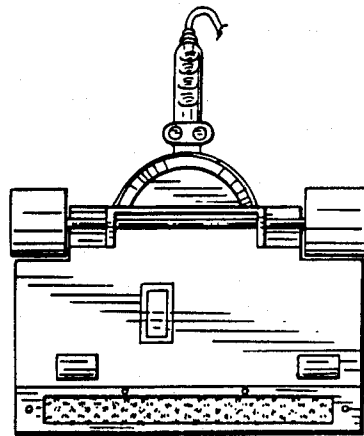


FIG. 4

FIG. 5

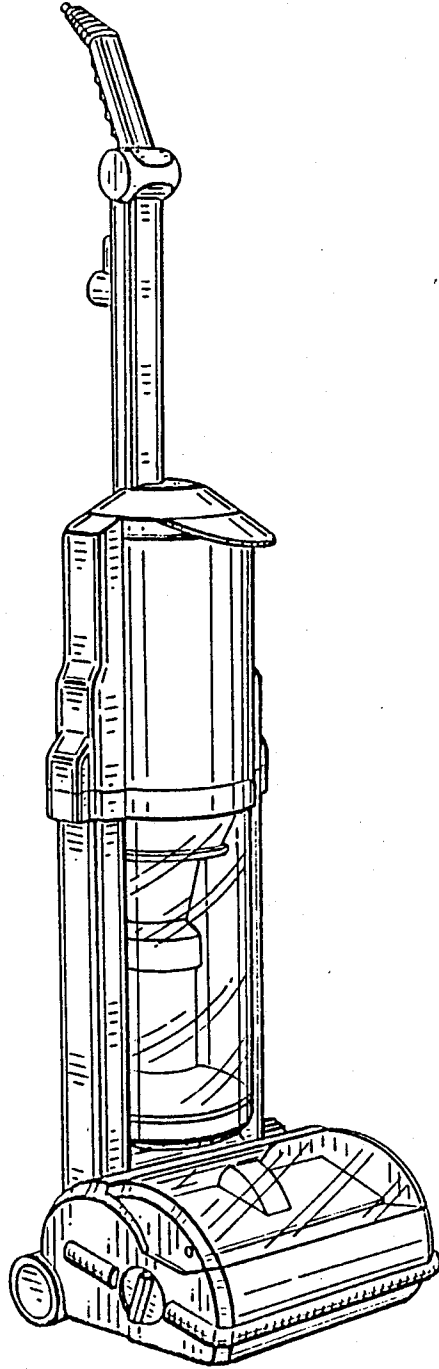


FIG. 6

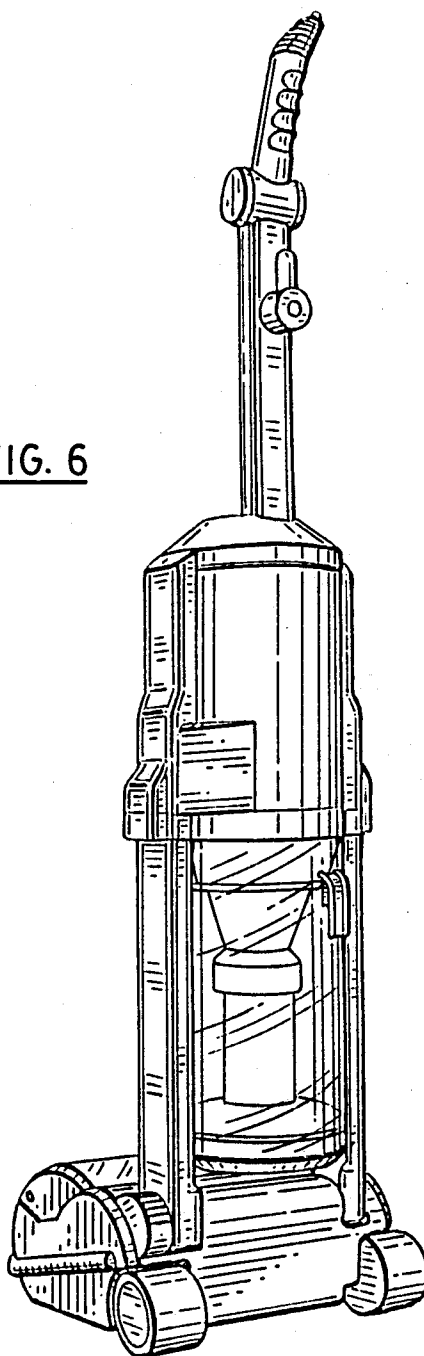


FIG. 7

