



US00D707617S

(12) **United States Design Patent**
Flaherty et al.

(10) **Patent No.:** **US D707,617 S**

(45) **Date of Patent:** **** Jun. 24, 2014**

(54) **BICYCLE CARRIER RACK**

(71) Applicant: **Thule Sweden AB**, Hillerstorp (SE)

(72) Inventors: **Joseph R. Flaherty**, Prospect, CT (US);
Thomas J. Hanson, Rye, NY (US);
John R. Laverack, Southbury, CT (US);
Timothy J. Makris, Sandy Hook, CT (US);
Keith L. Prescott, Cambridge, VT (US);
Gregor G. Weaver, Waterbury, CT (US)

(73) Assignee: **Thule Sweden AB**, Hillerstorp (SE)

(**) Term: **14 Years**

(21) Appl. No.: **29/450,865**

(22) Filed: **Mar. 25, 2013**

(51) **LOC (10) Cl.** **12-16**

(52) **U.S. Cl.**
USPC **D12/407**

(58) **Field of Classification Search**
CPC B60R 9/10; B62H 3/04; B62H 3/00;
B62H 3/12; B62H 2003/005; B62H 3/02;
B62H 3/06; B62H 3/10; Y10S 224/924
USPC D12/406-414.1, 402, 420, 115;
D8/356; 224/419, 422, 430, 424, 428,
224/429, 448; 211/22, 5, 20, 21, 198, 200;
248/164

D635,087 S * 3/2011 Flaherty et al. D12/408
D637,137 S * 5/2011 Weaver et al. D12/408
8,025,196 B2 * 9/2011 Flaherty et al. 224/533
8,109,422 B2 * 2/2012 Murray 224/314
D656,080 S * 3/2012 Budd et al. D12/408
D656,455 S * 3/2012 Sautter et al. D12/408
D656,456 S * 3/2012 Tinstman et al. D12/408
D659,631 S * 5/2012 Laverack et al. D12/408
D663,675 S * 7/2012 Sautter et al. D12/408
D669,016 S * 10/2012 Pozzi D12/408
D669,415 S * 10/2012 Murray et al. D12/408
D671,883 S * 12/2012 Farber D12/408
D672,704 S * 12/2012 Grago D12/408
8,387,841 B2 * 3/2013 Murray 224/314
D687,762 S * 8/2013 Weaver et al. D12/408
8,534,522 B2 * 9/2013 Bogoslofski et al. 224/537
2005/0133555 A1 * 6/2005 Bove et al. 224/324
2007/0034657 A1 * 2/2007 Murray 224/497
2007/0235487 A1 * 10/2007 Bogoslofski et al. 224/533
2011/0042433 A1 * 2/2011 Bogoslofski et al. 224/324
2011/0068138 A1 * 3/2011 Flaherty et al. 224/324
2013/0015615 A1 * 1/2013 Bogoslofski et al. 267/141.2

* cited by examiner

Primary Examiner — Eric Goodman
Assistant Examiner — Ryan Harvey
(74) *Attorney, Agent, or Firm* — Novak Druce Connolly
Bove + Quigg LLP

(57) **CLAIM**
We claim the design for a bicycle carrier rack, as shown and described.

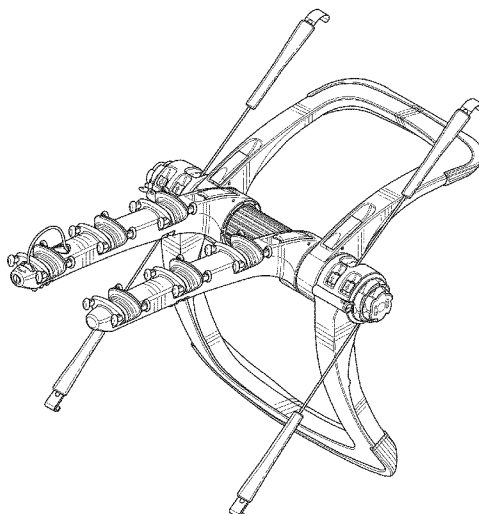
DESCRIPTION

FIG. 1 is a perspective view of a bicycle carrier rack;
FIG. 2 is left side elevational view thereof;
FIG. 3 is a right side elevational view thereof;
FIG. 4 is a front elevational view thereof;
FIG. 5 is a rear elevational view thereof;
FIG. 6 is a top plan view thereof; and,
FIG. 7 is a bottom plan view thereof.

1 Claim, 7 Drawing Sheets

(56) **References Cited**
U.S. PATENT DOCUMENTS

D412,482 S * 8/1999 Chen D12/408
7,757,917 B2 * 7/2010 Bogoslofski et al. 224/537
7,810,685 B2 * 10/2010 Bove et al. 224/324
D628,141 S * 11/2010 Weaver et al. D12/408
D629,350 S * 12/2010 Weaver et al. D12/408
D630,572 S * 1/2011 Weaver et al. D12/408
D634,697 S * 3/2011 Weaver et al. D12/408



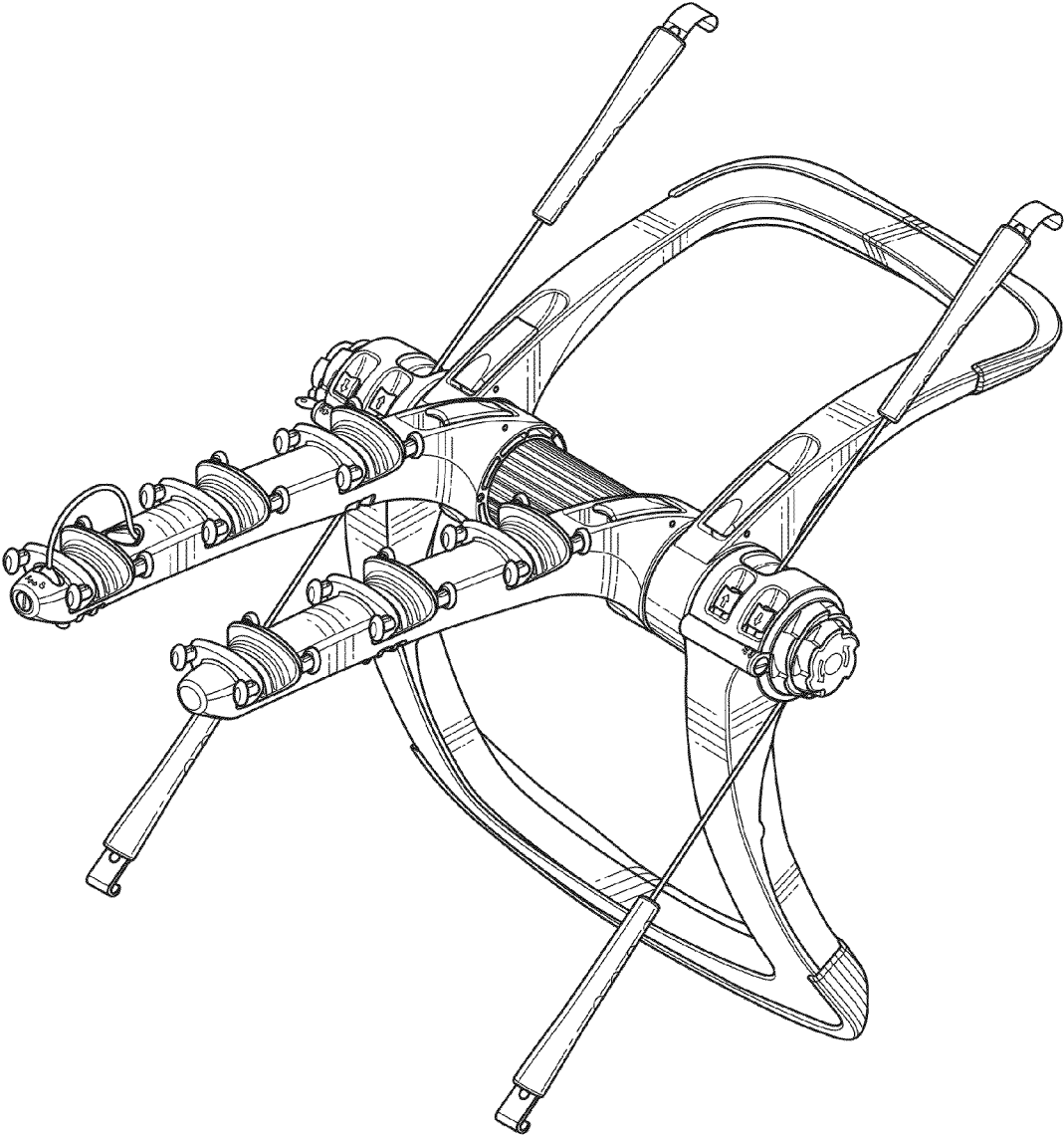


FIG. 1

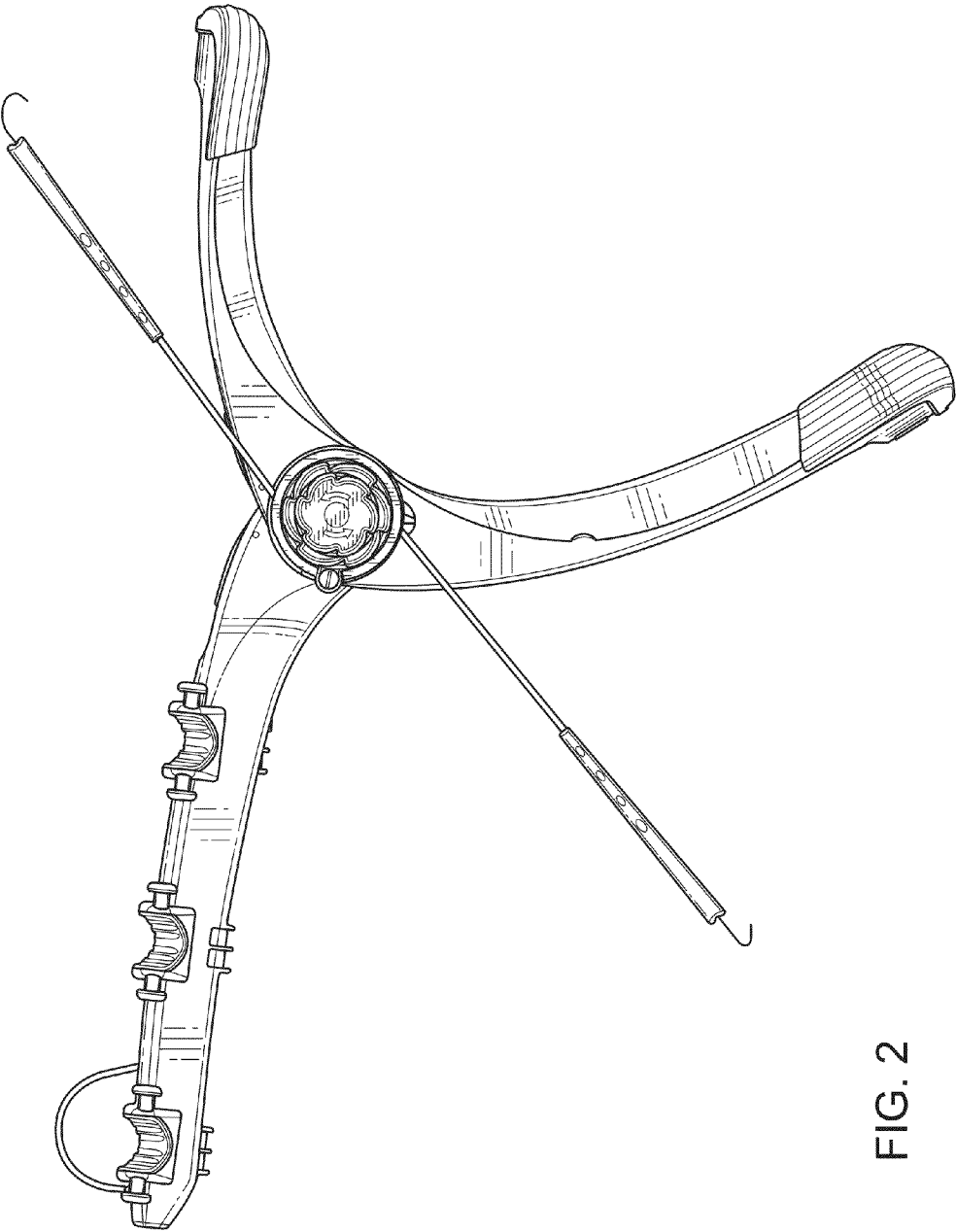


FIG. 2

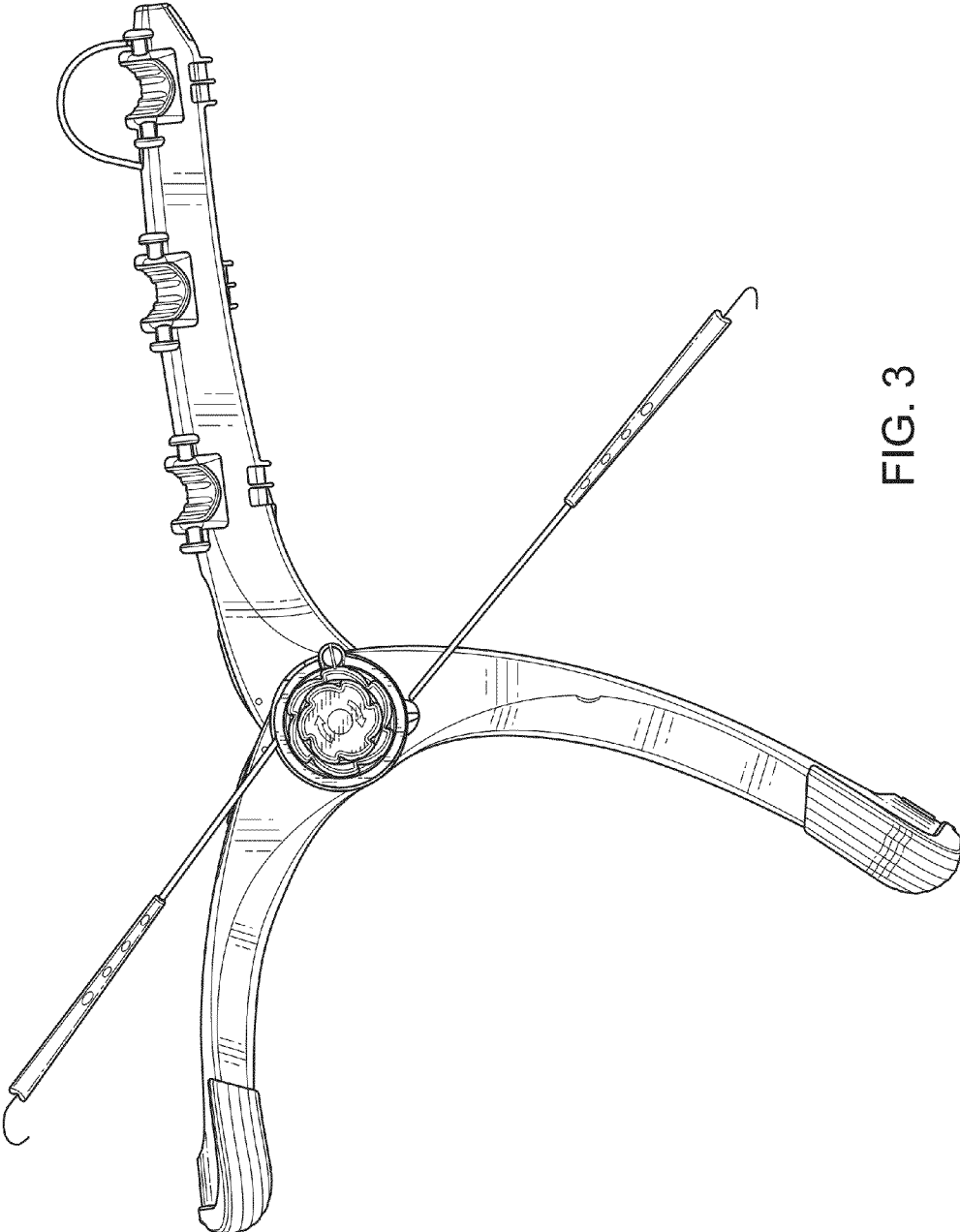


FIG. 3

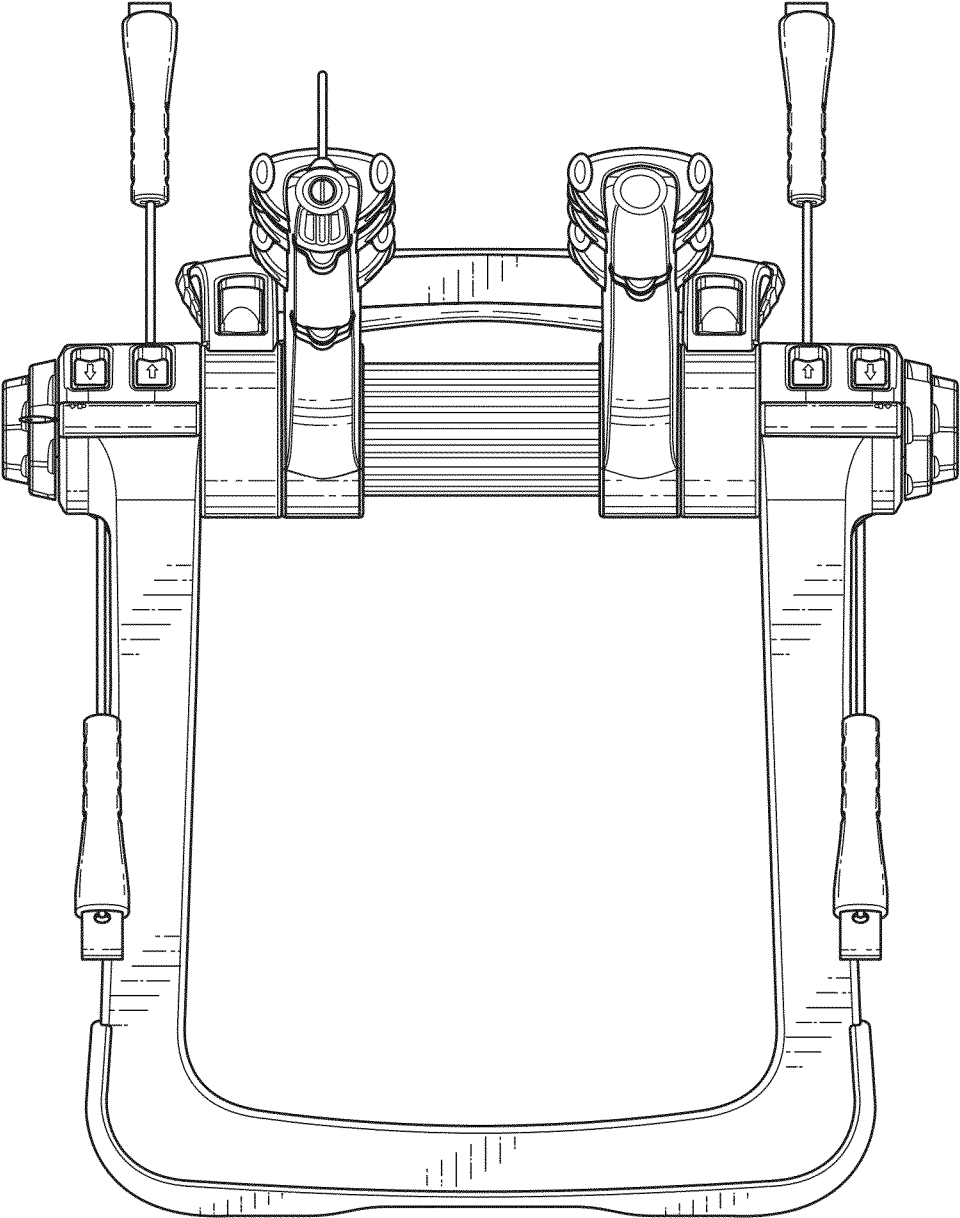


FIG. 4

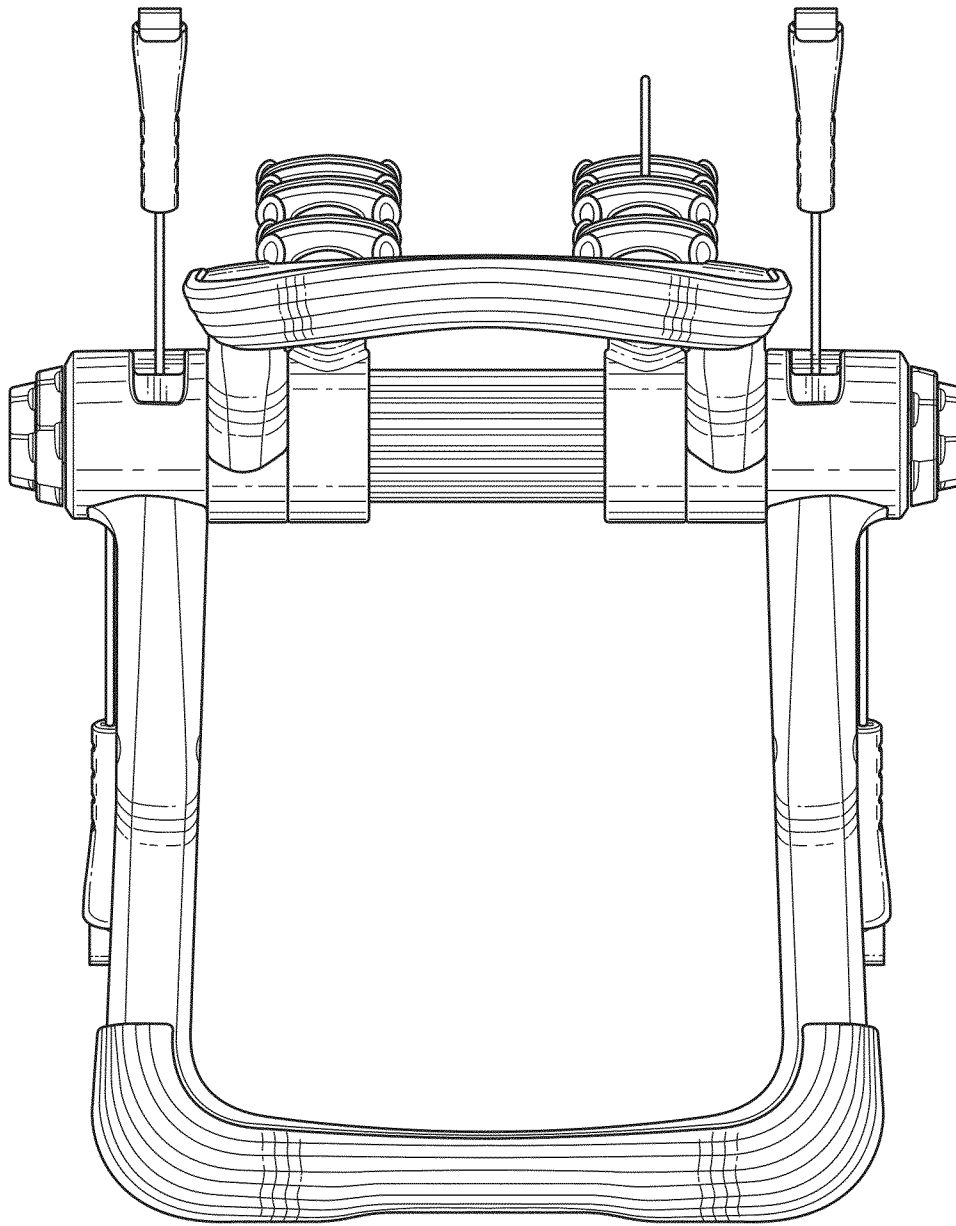


FIG. 5

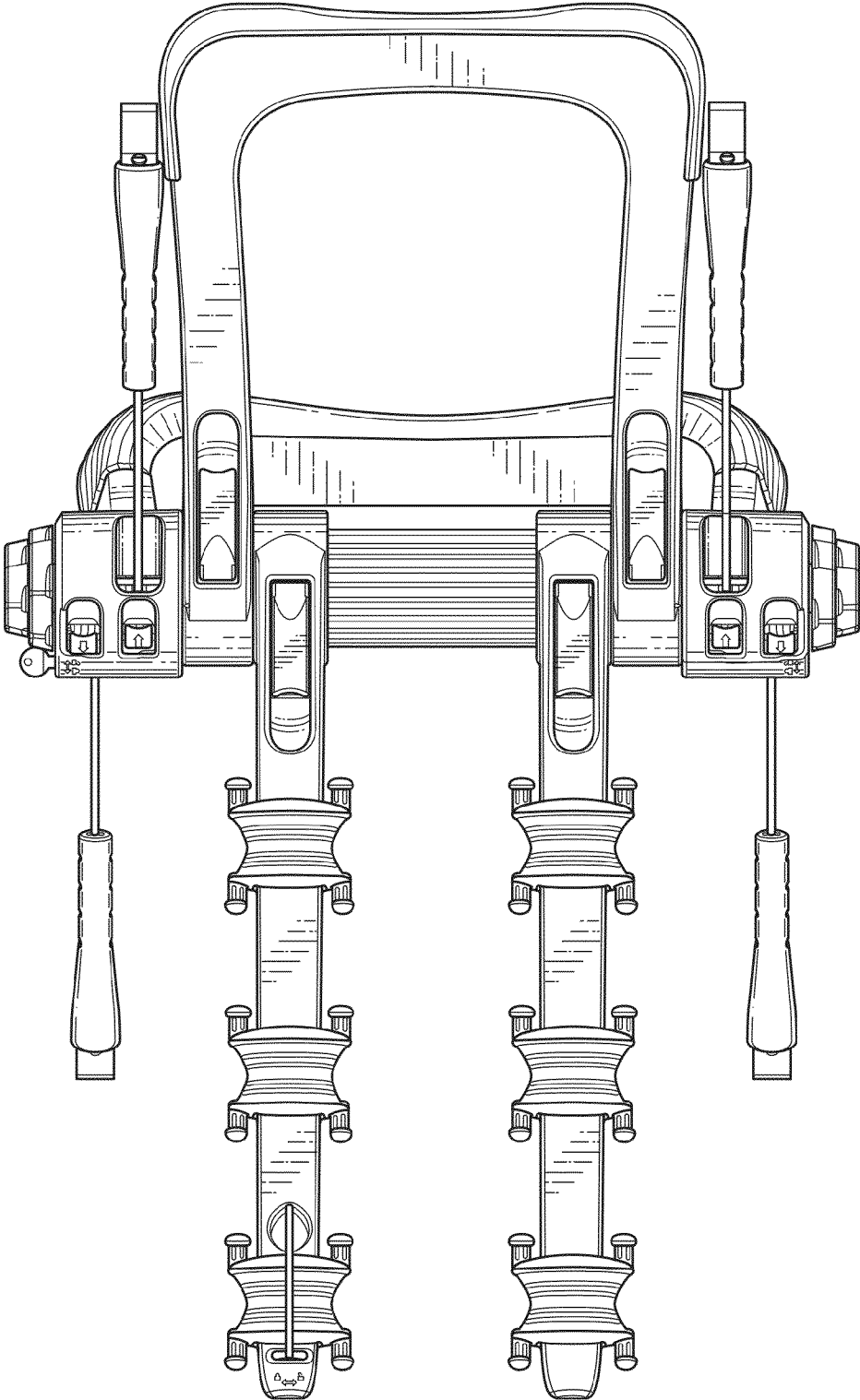


FIG. 6

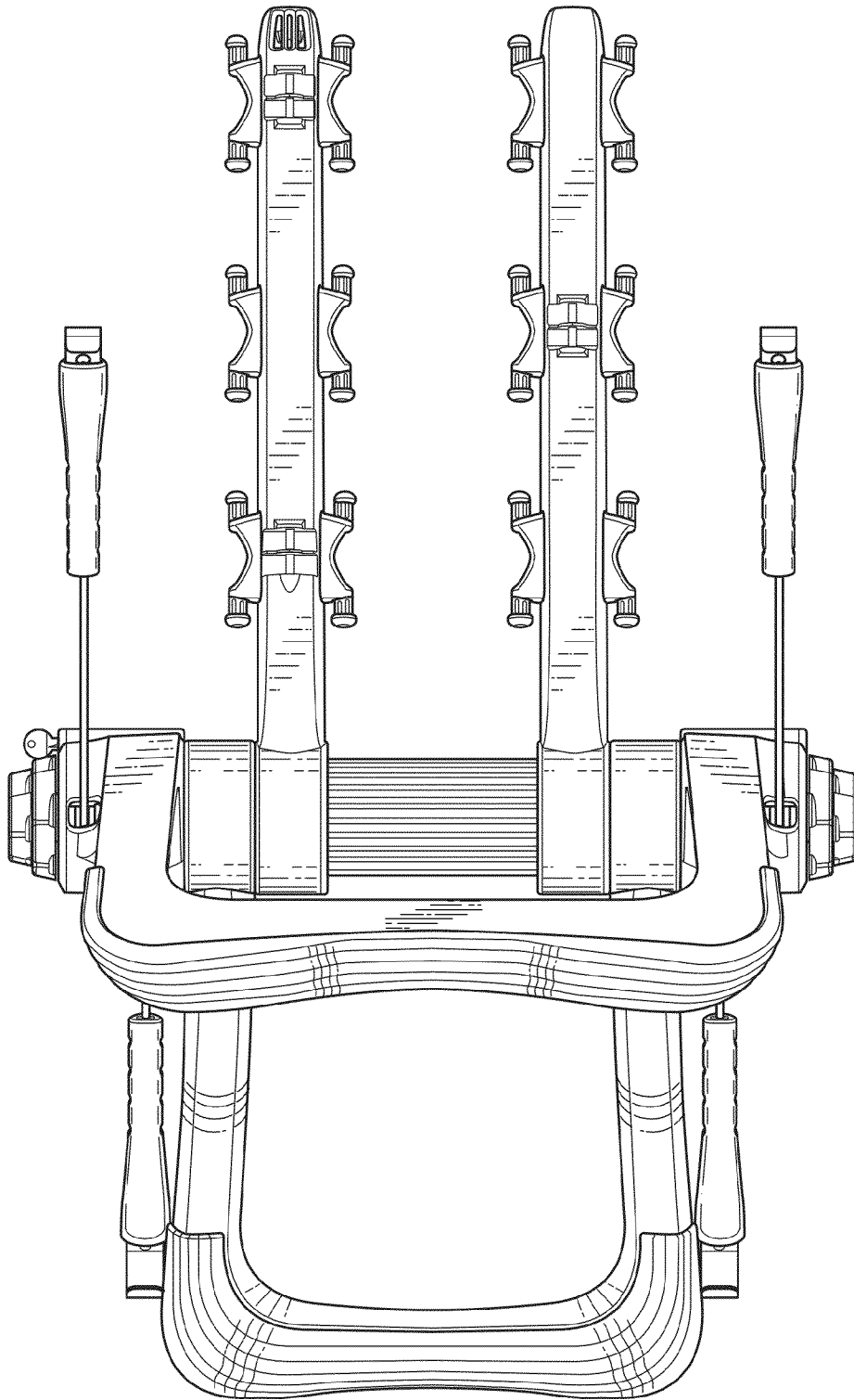


FIG. 7