



US00D450391B1

(12) **United States Design Patent**
Hunt et al.

(10) **Patent No.:** **US D450,391 S**

(45) **Date of Patent:** **** Nov. 13, 2001**

- (54) **MEDICAL INSTRUMENT TRAY**
- (75) Inventors: **Ilyssa A. Hunt**, Tyngsboro; **Jack W. Curran**, Concord; **Charles W. Kellstedt**; **Joel M. Lieblein**, both of Sudbury, all of MA (US)
- (73) Assignee: **Arrow International, Inc.**, Reading, PA (US)
- (**) Term: **14 Years**
- (21) Appl. No.: **29/041,918**
- (22) Filed: **Jul. 7, 1995**
- (51) **LOC (7) Cl.** **24-02**
- (52) **U.S. Cl.** **D24/227; D24/229**
- (58) **Field of Search** D24/227, 229, D24/230; 206/571, 570, 557, 365, 363, 364, 370, 366

- 5,318,543 * 6/1994 Ross et al. 206/571 X
- 5,392,918 2/1995 Harrison 206/571
- 5,526,928 * 6/1996 Yabe et al. 206/363 X

FOREIGN PATENT DOCUMENTS

- 2 633 178 6/1988 (FR) .

* cited by examiner

Primary Examiner—Louis S. Zarfaz

Assistant Examiner—I Simmons

(74) *Attorney, Agent, or Firm*—Wolf, Greenfield & Sacks, P.C.

(57) **CLAIM**

The ornamental design for a medical instrument tray, as shown and described.

DESCRIPTION

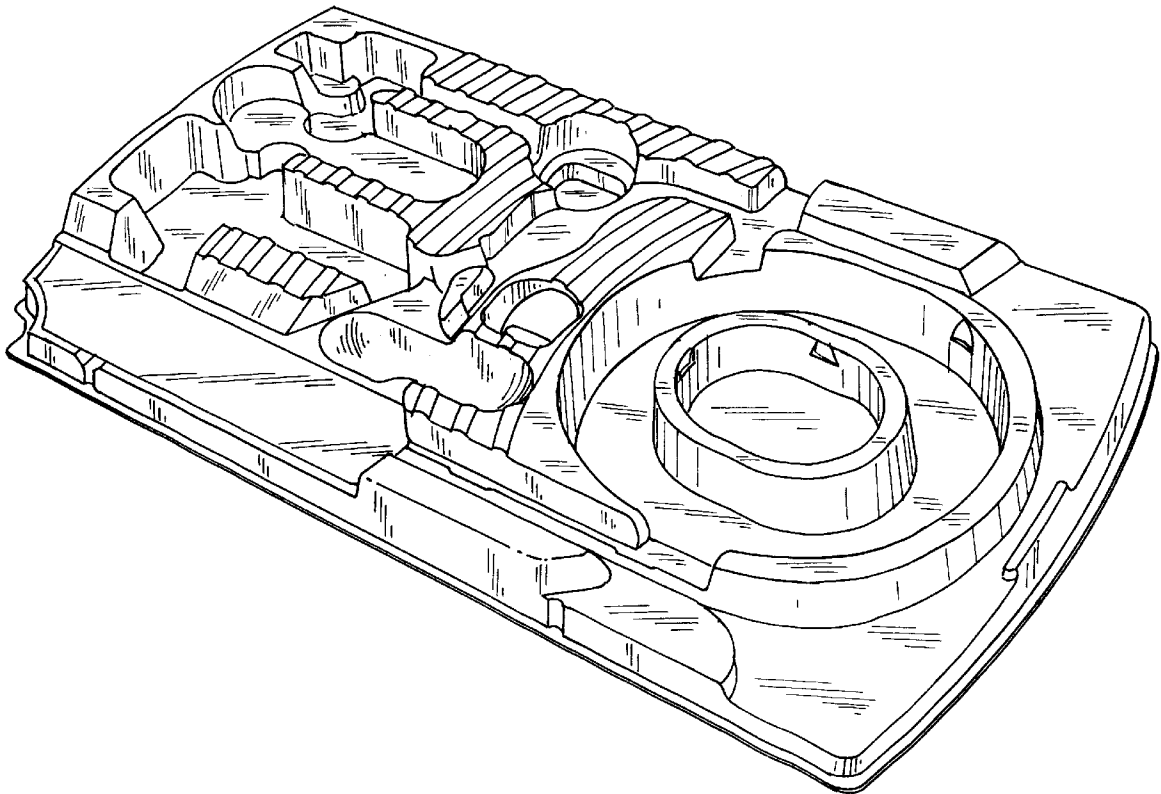
- FIG. 1 is a perspective view from the top and two sides;
- FIG. 2 is a top plan view;
- FIG. 3 is a side elevational view from bottom to top of FIG. 2;
- FIG. 4 is a side elevational view from left to right of FIG. 2;
- FIG. 5 is a side elevational view opposite that shown in FIG. 4;
- FIG. 6 is a side elevational view opposite that shown in FIG. 3; and,
- FIG. 7 is a bottom plan view.

(56) **References Cited**

U.S. PATENT DOCUMENTS

- D. 202,013 * 8/1965 Hamilton D24/229
- 3,851,649 12/1974 Villari 128/275
- 4,216,860 * 8/1980 Heimann 206/370
- 4,266,669 * 5/1981 Watson 206/370 X
- 4,858,821 8/1989 Bickelhaupt 229/123.1
- 4,925,448 5/1990 Bazzaral 604/171
- 5,031,775 7/1991 Kane 206/571
- 5,178,267 * 1/1993 Grabenkort et al. 206/570 X

1 Claim, 4 Drawing Sheets



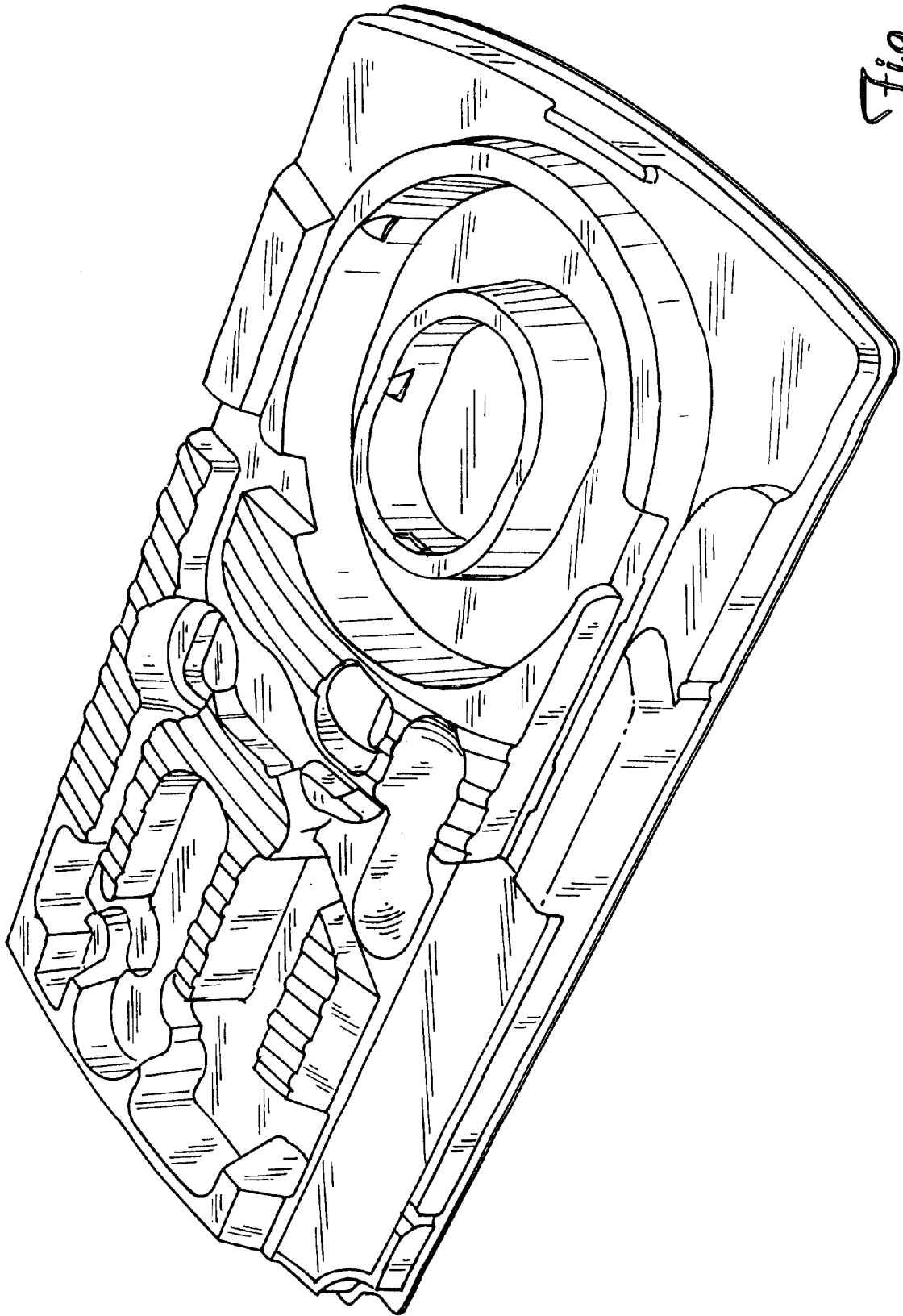


Fig 1

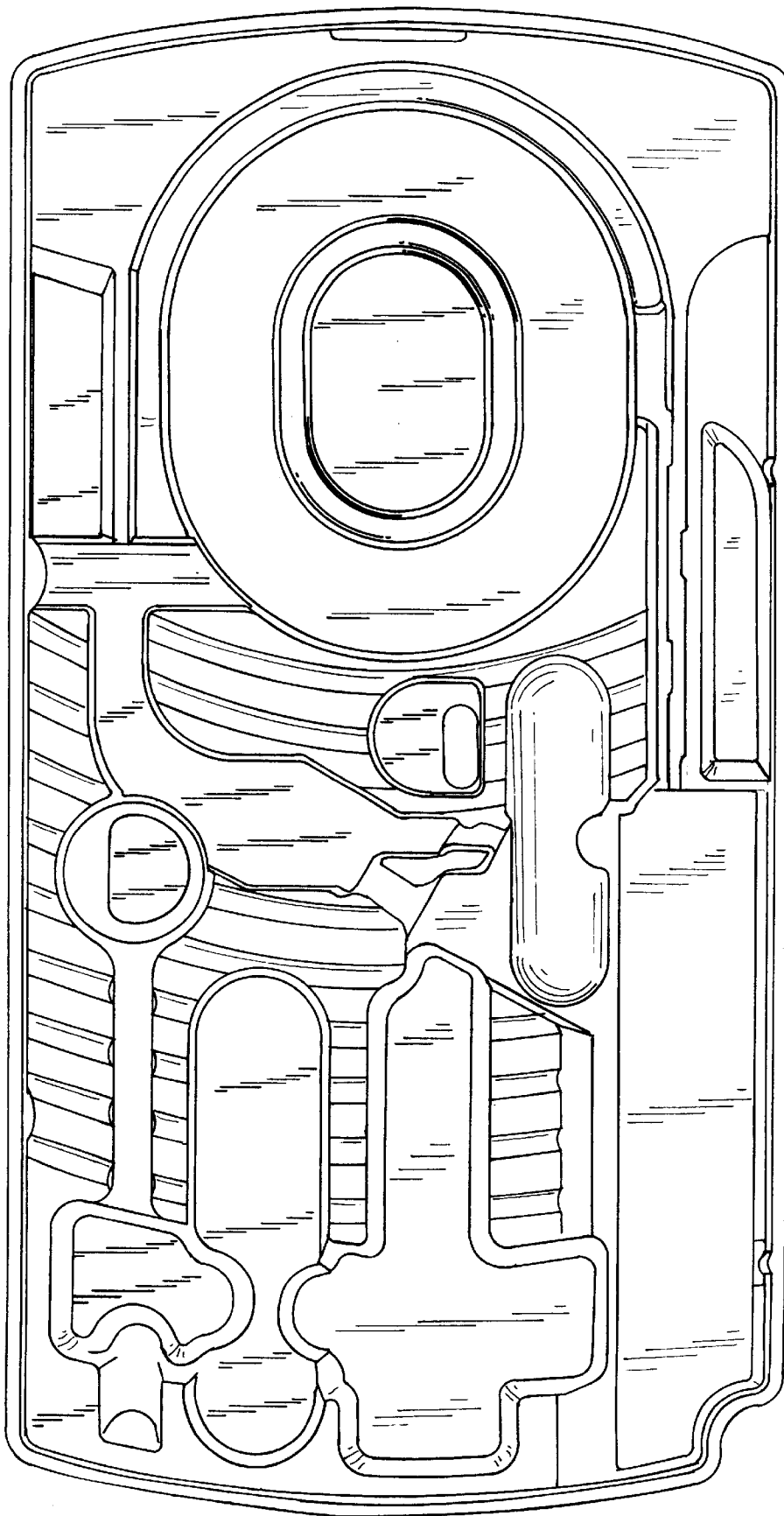


Fig 2

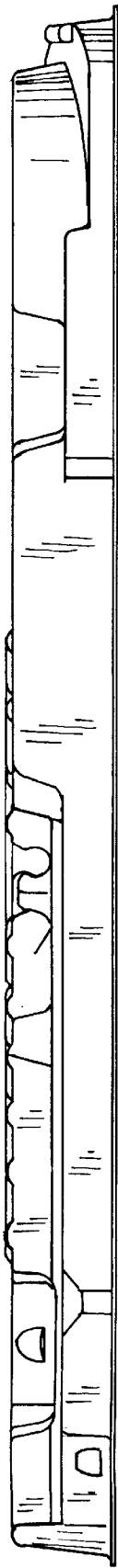


Fig. 3

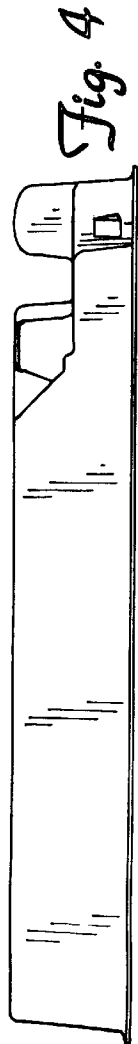


Fig. 4

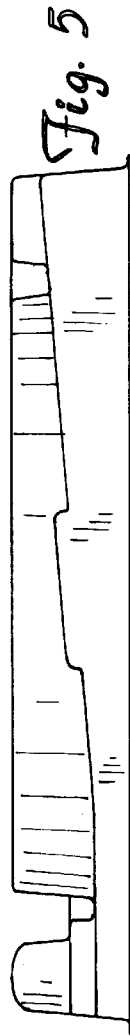


Fig. 5



Fig. 6

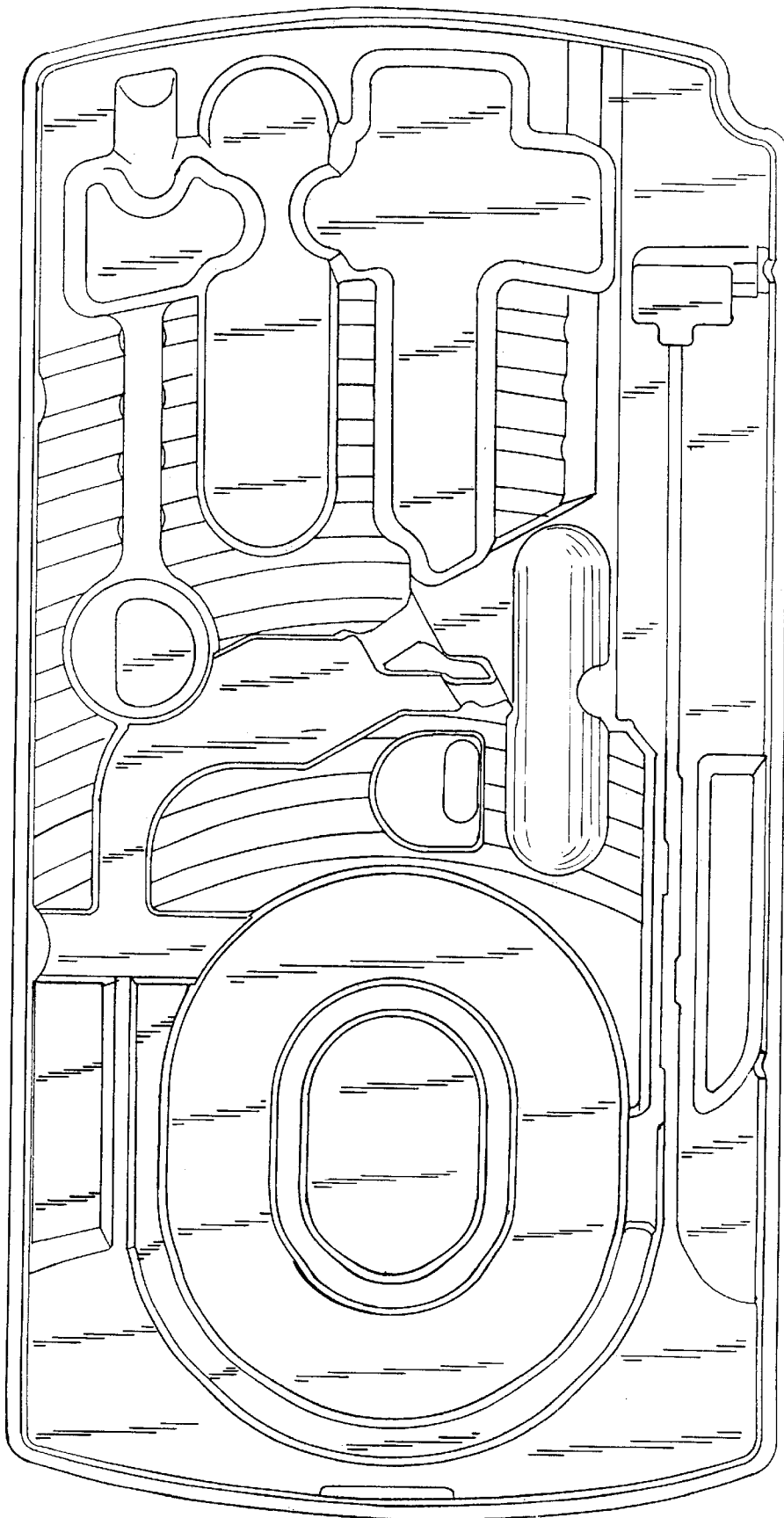


Fig. 7