



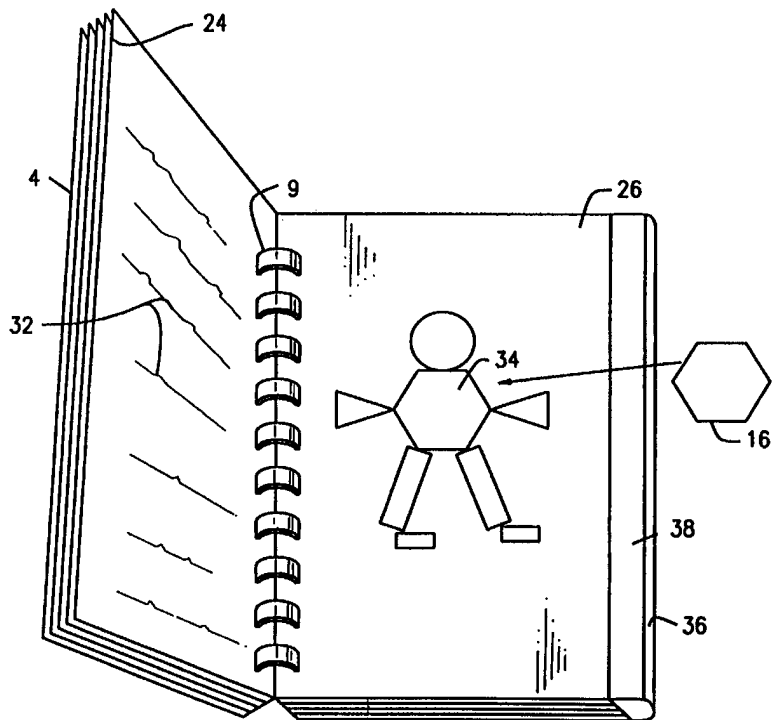
INTERNATIONAL APPLICATION PUBLISHED UNDER THE PATENT COOPERATION TREATY (PCT)

<p>(51) International Patent Classification ⁶ : B42D 1/00, G09B 3/00</p>	<p>A1</p>	<p>(11) International Publication Number: WO 98/49015 (43) International Publication Date: 5 November 1998 (05.11.98)</p>
<p>(21) International Application Number: PCT/US98/08770 (22) International Filing Date: 28 April 1998 (28.04.98) (30) Priority Data: 08/846,425 30 April 1997 (30.04.97) US (71) Applicant: INNOVATIVE USA, INC. [US/US]; 3rd floor West, 100 First Stamford Place, Stamford, CT 06902 (US). (72) Inventor: LEVINS, Michael; 317 Greens Farms Road, Westport, CT 06880 (US). (74) Agent: CLEMENT, Alan, B.; Hedman, Gibson & Costigan, P.C., 1185 Avenue of the Americas, New York, NY 10036 (US).</p>		<p>(81) Designated States: AU, CA, JP, European patent (AT, BE, CH, CY, DE, DK, ES, FI, FR, GB, GR, IE, IT, LU, MC, NL, PT, SE). Published <i>With international search report.</i></p>

(54) Title: MAGNETIC MANIPULATIVES BOOK

(57) Abstract

A book having at least one fold out page with a metal insert which assists the placement or arrangement of magnetic manipulatives (16) onto a page of the book.



FOR THE PURPOSES OF INFORMATION ONLY

Codes used to identify States party to the PCT on the front pages of pamphlets publishing international applications under the PCT.

AL	Albania	ES	Spain	LS	Lesotho	SI	Slovenia
AM	Armenia	FI	Finland	LT	Lithuania	SK	Slovakia
AT	Austria	FR	France	LU	Luxembourg	SN	Senegal
AU	Australia	GA	Gabon	LV	Latvia	SZ	Swaziland
AZ	Azerbaijan	GB	United Kingdom	MC	Monaco	TD	Chad
BA	Bosnia and Herzegovina	GE	Georgia	MD	Republic of Moldova	TG	Togo
BB	Barbados	GH	Ghana	MG	Madagascar	TJ	Tajikistan
BE	Belgium	GN	Guinea	MK	The former Yugoslav Republic of Macedonia	TM	Turkmenistan
BF	Burkina Faso	GR	Greece	ML	Mali	TR	Turkey
BG	Bulgaria	HU	Hungary	MN	Mongolia	TT	Trinidad and Tobago
BJ	Benin	IE	Ireland	MR	Mauritania	UA	Ukraine
BR	Brazil	IL	Israel	MW	Malawi	UG	Uganda
BY	Belarus	IS	Iceland	MX	Mexico	US	United States of America
CA	Canada	IT	Italy	NE	Niger	UZ	Uzbekistan
CF	Central African Republic	JP	Japan	NL	Netherlands	VN	Viet Nam
CG	Congo	KE	Kenya	NO	Norway	YU	Yugoslavia
CH	Switzerland	KG	Kyrgyzstan	NZ	New Zealand	ZW	Zimbabwe
CI	Côte d'Ivoire	KP	Democratic People's Republic of Korea	PL	Poland		
CM	Cameroon	KR	Republic of Korea	PT	Portugal		
CN	China	KZ	Kazakstan	RO	Romania		
CU	Cuba	LC	Saint Lucia	RU	Russian Federation		
CZ	Czech Republic	LI	Liechtenstein	SD	Sudan		
DE	Germany	LK	Sri Lanka	SE	Sweden		
DK	Denmark	LR	Liberia	SG	Singapore		
EE	Estonia						

MAGNETIC MANIPULATIVES BOOK

The present invention relates to a book which is useful with manipulative pieces. More particularly, the present invention is related to a book which is useful with magnetic manipulative pieces. Most particularly, the present invention is related to a book having at least one fold out page with a metal insert which assists the placement or arrangement of magnetic manipulatives onto a page of the book.

10 BACKGROUND OF THE INVENTION

A variety of books are currently on the market which are provided with manipulative pieces for use with the book. These types of books especially have a high degree of educational value for children. For instance, a certain variety of books has manipulative pieces which may be placed on the page to complete a picture. In other books, a number of manipulative pieces need to be placed adjacent to each other in order to complete a picture. In some instances, the pieces are made in a jigsaw function. See, e.g., United States Patent No. Gunter, United States Patent No. 5,387,107. However, these jigsaw embodiments suffer from the inability to employ typical geometric figures with smooth lines.

In most instances where smooth lined geometric manipulatives are employed, such as but not limited to squares, diamonds, circles, ellipses, rectangles, triangles, pentagons, hexagons, other polygons and irregularly shaped figures, the pieces have a tendency to slide around the page. This creates a difficulty for the user to accurately place the manipulative pieces in the correct order. This difficulty is especially exacerbated when a sturdy flat surfaces is not readily available, such as is not present in a car. Accordingly, there exists in the art a long felt need to provide a means for keeping the manipulatives in place.

SUMMARY OF THE PRESENT INVENTION

It is an object of the present invention to provide a book which can be employed with manipulative pieces.

5 It is another object of the present invention to provide a book which can be employed with manipulative pieces which are straight line geometric figures.

10 It is a further object of the present invention to provide a book which employs manipulatives in a manner such that they cooperate to form a picture.

It is still another object of the present to provide a book which has a means for keeping the manipulative pieces from sliding around on a page of the book.

15 Accordingly, these objects and others are achieved by the book of the present invention which comprises a front cover; a back cover; at least one page between the front and back covers; wherein the front cover, back cover and at least one page are bound together; at least one manipulative piece having a magnet thereon; wherein at least one of the front cover, the back cover and the page are provided with a fold out comprising a sheet of metal or other material attractable to a magnet.

25 In preferred embodiments the manipulatives are smooth lined geometric figures and are suitable for use with the theme of the book. It is also contemplated herein that the magnetic manipulatives can comprise game pieces which are useful with games which are displayed on the pages of the book. It is further preferred that the back cover of the book be provided with the fold out containing the metal sheet.

30 Also contemplated within the scope of the present invention is the provision of a means for holding the magnetic manipulatives which means can be attached to the book in any fashion, such as to the book binding.

35

BRIEF DESCRIPTION OF THE DRAWINGS

FIGURE 1 depicts a top view of an embodiment of the present invention.

FIGURE 1A depicts a top view of a manipulative object useful in the practice of the present invention.

FIGURE 1B depicts a side view of a manipulative object useful in the practice of the present invention.

FIGURE 2 depicts a book of the present invention in an open position.

FIGURE 3 depicts an embodiment of the inside of the back cover of a book of the present invention.

FIGURE 4 depicts an exploded view of a fold out member useful in the practice of the present invention.

FIGURE 5 depicts an embodiment of the present invention with the fold out folded under a page of a book.

**DETAILED DESCRIPTION OF THE PRESENT INVENTION
AND DESCRIPTION OF THE PREFERRED EMBODIMENTS**

The following description of preferred embodiments is presented to illustrate the present invention and is not to be construed to limit the scope of the appended claims in any manner whatsoever.

Referring to Fig. 1, there is shown a top view of a book of the present invention. The book 2 has a front cover 4 and is bound to the other pages with a spiral binding 8 through cut outs 6. The front cover 4 may be constructed of any material known to those skilled in the art which provides sufficient rigidity and printability. These materials may include but are not limited to paper, cardboard, textiles and plastics. Preferred is cardboard ranging from about 1/32 to about 3/32 of an inch thick. Especially preferred is cardboard which is about 1/16 of an inch thick.

The binding of the book may be effected by any of the well known conventional means, i.e. by binding, gluing or with a spiral wire or other material wound through a multitude of holes punched through the pages.

5 The embodiment of Figure 1 shows the use of a spiral bound book.

Attached to the spiral binding 8 is a connector piece 10 which serves to connect a member 13 containing a pouch 14 which is adapted to hold the manipulatives 16.

10 The member 13 is connected to the connector piece 10 in Figure 1 by means of tabs 12, although any other means may be used in connection with the present invention. In this manner, the entire member 13 may be removed from the book 4 by unhooking the tabs 12 and then the pouch 14 may

15 be opened to remove the manipulatives 16 for use with the book.

It is noted that the manner of attaching the manipulatives to the book, or even the use of any attachment at all, is not critical to the present

20 invention and any means of packaging may be employed without departing from the spirit of the claimed invention. Figure 1 merely shows one embodiment, and other packaging embodiments will be readily apparent to those of ordinary skill in the art.

25 In Figure 1 the manipulatives are straight edged geometric figures, but as discussed hereinabove, may comprise game pieces or any other manipulative objects. Referring to Figures 1A and 1B, a hexagonal manipulative 16 is shown having a top side 18 and a

30 bottom side 20. The top side 18 can be constructed of any relatively light weight material such as foam, foam rubber, plastic, rubber, cardboard, wood and the like. The top side is typically of a thickness which makes the manipulative easy to handle for even small children, such

35 as on the order of one-eighth to one-quarter inch, preferably about three-sixteenths inch.

The bottom side 20 is comprised a magnetized material as is well known to those skilled in the art. The bottom side magnet 20 is fastened to the top side 18 in any manner known to those skilled in the art which is convenient for manufacture. Typically, the bottom side magnet 20 is glued with an adhesive to the top side 18. The magnet can be of any thickness and strength which is sufficient to cause the manipulative to be magnetized to the sheet of metal as used in accordance with the present invention.

Referring to Figure 2, an opened book 2 can be seen having a front cover 4, a back cover 22 and a plurality of pages 24, 26, 28 and 30. Opposing pages 24 and 26 show that text 32 may be located on the left hand page 24 which relates to a drawing 34 on the right hand page 26. Other pages 28 and 30 may be similarly arranged. The drawing 34 is composed of an outline into which the geometric figures 16 may be arranged to complete the picture. The drawing may be composed of any type of geometric figures and the complexity with which the manipulatives 16 fit onto the drawing 34 can vary from relatively simple to very difficult. The drawing in Figure 2 is a relatively simple human figure drawing. The book may comprise a series of animals or other related drawings on the individual pages.

It is further contemplated that the pages may comprise other embodiments in which manipulatives are employed, such as a gaming book which includes a variety of game boards such as a checker board, a chess board, or a backgammon board and the like. In these cases the manipulatives 16 would be round discs for checkers and backgammon, and chess men for chess.

The pages are constructed of any paper which is normally employed in books and should be of sufficient thinness to enable the magnet to exert a sufficient force on the metal sheet employed in accordance with the present invention as described more fully hereinbelow.

Referring now to Fig. 3, there is shown a book-
of the present invention 2 having a front cover 4, at
least one page 24 and a back cover 22 which are bound by
binding means 9. Attached to the right hand side 40 of
5 back cover 22 is a fold out 38 comprising a sheet of
metal. The fold out 38 is attached to the back cover 22
by a gate fold 36 to facilitate folding the fold out 38
as is well known to those of ordinary skill in the art.
Other means for assisting folding are also contemplated
10 as within the scope of the appended claims.

Although in one preferred embodiment the fold
out 38 is attached at the right hand side 40 of the back
cover 22, other embodiments may include attaching the
fold out 38 to the top side 42 or bottom side 44 of the
15 back cover 22. Still further, the fold out may be
attached to the front cover 4 or a page 24 of the book 2
in a similar fashion.

The fold out 38 is comprised of a sheet of
metal which is attracted to the magnets of the
20 manipulatives employed in the practice of the present
invention, such as an inexpensive sheet metal. The fold
out 38 can be a single sheet of metal, or the metal can
be encased in any manner known to those skilled in the
art, such as a laminate.

25 In one particular preferred embodiment,
referring to Fig. 4, the fold out 38 is shown to comprise
a non-metal top layer 46, a metal sheet middle layer 48
and a non-metal bottom layer 50. The bottom layer 50 is
preferably comprised of a cardboard or other rigid
30 material similar to that use with the front cover. The
metal layer 48 is lain on top of the bottom layer 50 and
secured in position by gluing the edges 52a, 52b and 52c
of top layer 46 to the bottom layer 50.

The top layer is preferably constructed of paper or plastic and is sufficiently thin enough so as not to interfere with the magnetic action between the magnet of the manipulative piece and the metal layer 48.

5 In order to operate the book reference is had first to Fig. 3. The book 2 is opened to the back cover and the fold out 38 is extended out in the manner shown in Figure 3. The pages 24 are then turned downward toward the back cover 22, and the fold out 38 is then
10 folded in under the drawing which is desired to be worked on as shown in Fig. 5. In this manner, the magnet on the bottom of manipulative 16 is of sufficient strength to cause the manipulative 16 to adhere to the appropriate spot on drawing 34 by the magnetic force exerted on the
15 sheet metal contained in fold out 38.

It is noted here that the fold gate 36 is constructed to be of a size suitable to provide sufficient clearance for the fold out 38 to easily fit under any of the pages of the book.

20 Many variations of the present invention will suggest themselves to those skilled in the art in light of the above-detailed description. For example, instead of the back cover having the fold out attached thereto, the fold out may be attached to the front cover or any
25 other page of the book. Similarly, instead of attaching the fold out to the right side of the back cover, the fold out may be attached to the top or bottom of the back cover, the top or bottom or left side of the front cover or the top or bottom of a book page. Any type of binding
30 known to those of ordinary skill in the art may be used to attach the covers and pages of the book together. All such obvious modifications are within the full intended scope of the appended claims.

CLAIMS

1. A book comprising
a front cover;
a back cover;
at least one page between said front and back
5 covers;
said front cover, back cover and at least one
page being bound together;
at least one manipulative piece having a magnet
thereon for use with said book;
10 wherein at least one of said front cover, said
back cover and said page are provided with a fold out
comprising a sheet of metal or other material attractable
to a magnet.
2. A book as defined in Claim 1 wherein said
fold out is attached to the back cover.
3. A book as defined in Claim 1 wherein the
fold out is attached to any of said front cover, said
back cover or said page by means of a fold gate.
4. A book as defined in Claim 2 wherein said
fold out is attached to the back cover by means of a fold
gate.
5. A book as defined in Claim 1 wherein said
fold out is comprises a bottom non-metal layer, a middle
metal layer and a top non-metal layer.
6. A book as defined in Claim 4 wherein said
fold gate is connected to the back cover on the right
hand side of the back cover.
7. A book as defined in Claim 4 wherein said
fold gate is connected to the back cover on the top side
of the back cover.
8. A book as defined in Claim 4 wherein said
fold gate is connected to the back cover on the bottom
side of the back cover.
9. A book as defined in Claim 1 wherein said
front cover, at least one page and said back cover are
bound together by means of a spiral binding.

10. A book as defined in Claim 1 further comprising a means for containing said manipulative pieces which is attached to said book.

11. A book as defined in Claim 10 wherein said containing means is attached to the binding of said front cover, at least one page and said back cover.

12. A book as defined in Claim 1 wherein the pages of the book comprise boards for games and said manipulative pieces are the game pieces for use with said game boards.

13. A book as defined in Claim 1 wherein at least one page of the book comprises a checker board and said manipulatives are checkers.

14. A book as defined in Claim 1 wherein at least one page of the book comprises a puzzle drawing and the manipulatives are geometric shaped pieces which are the puzzle pieces.

15. A book as defined in Claim 1 wherein said manipulative pieces comprise a top side comprised of a material selected from the group consisting of foam, foam rubber, plastic, rubber, cardboard and wood, and a bottom
5 magnet which is adhered to said top side.

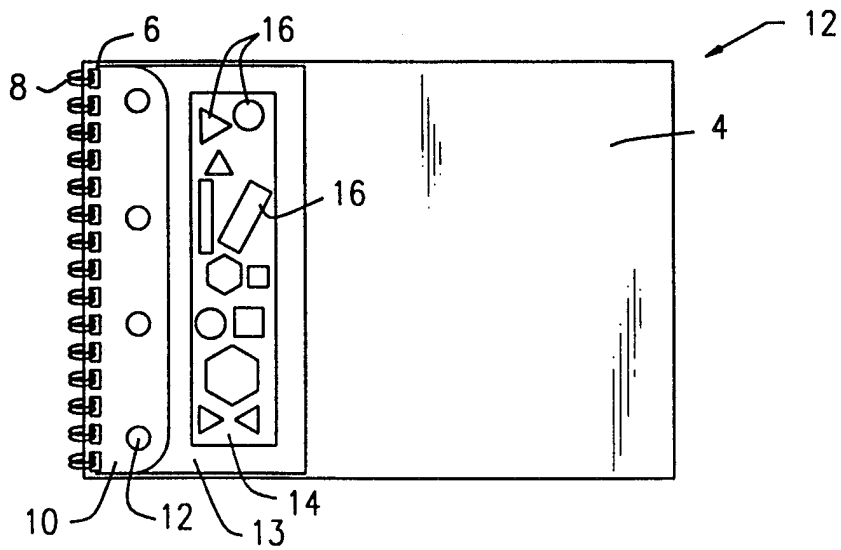


FIG. 1

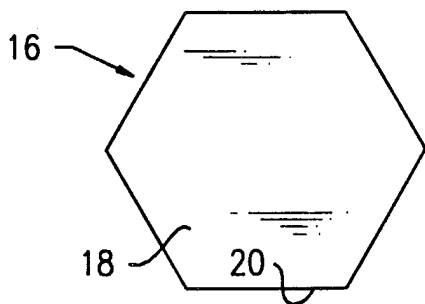


FIG. 1A

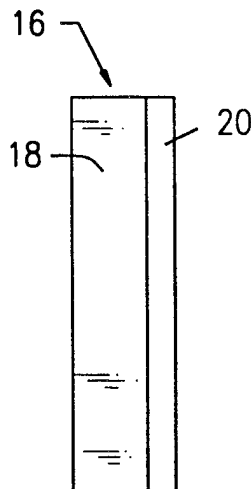


FIG. 1B

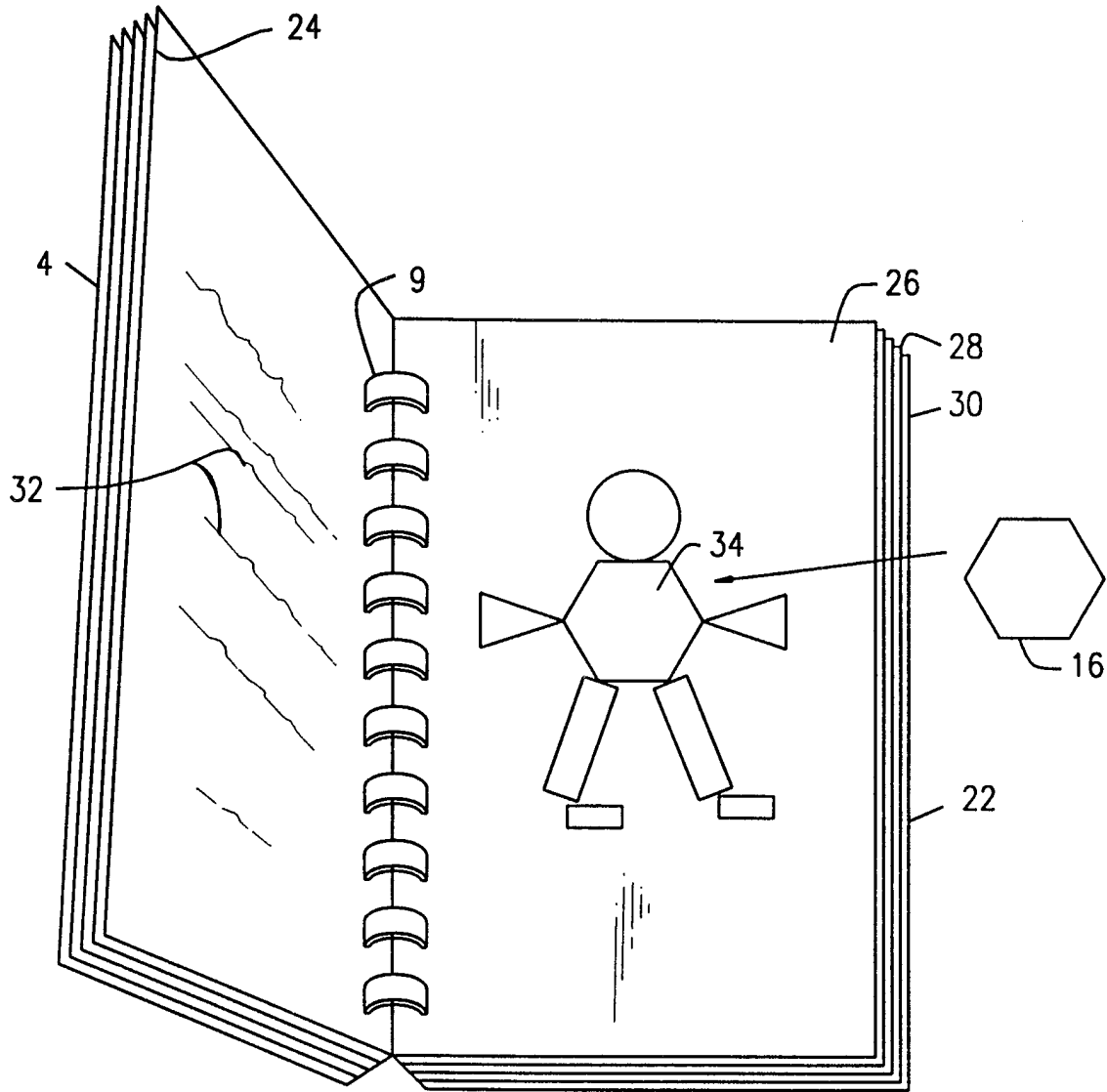
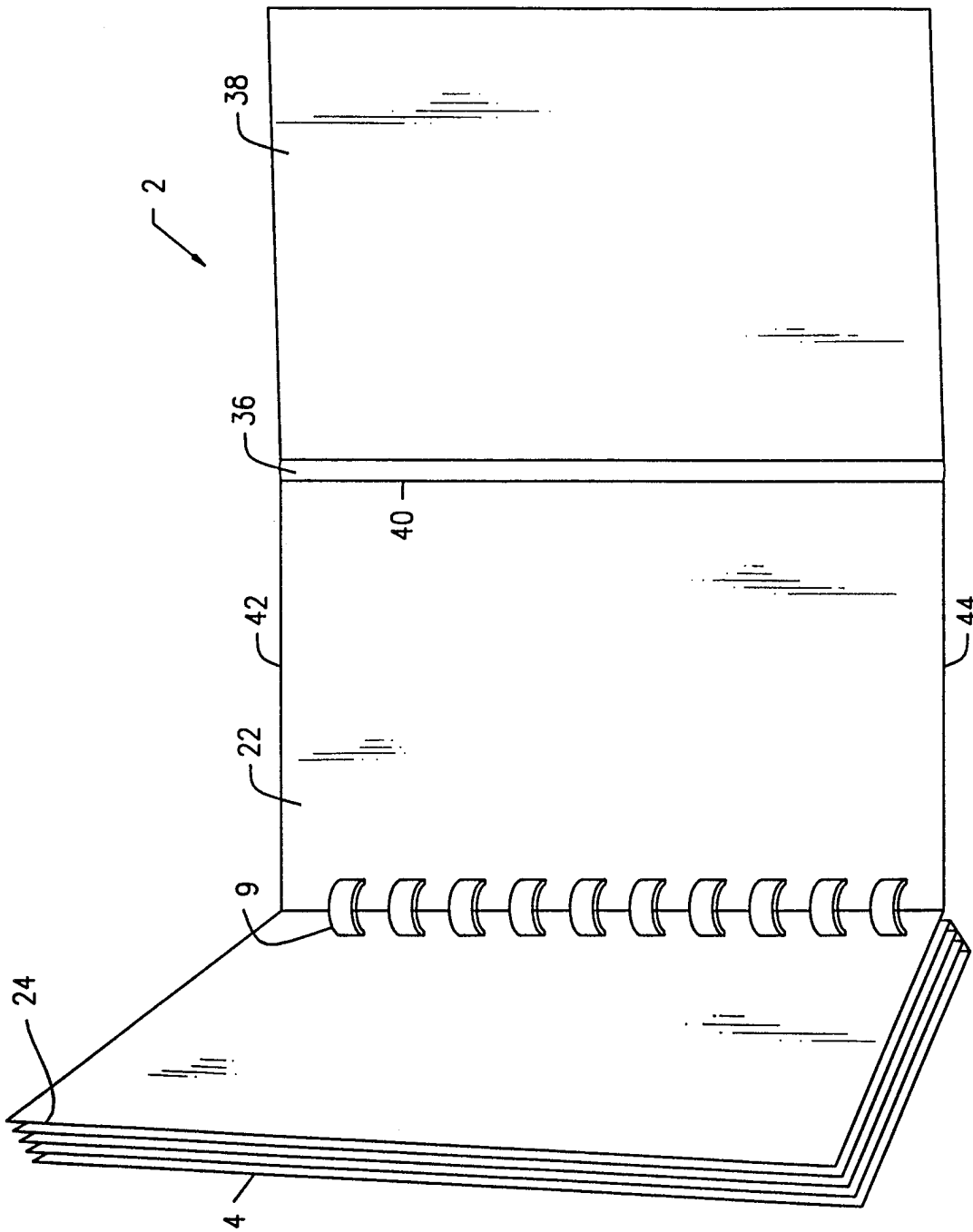


FIG. 2

FIG. 3



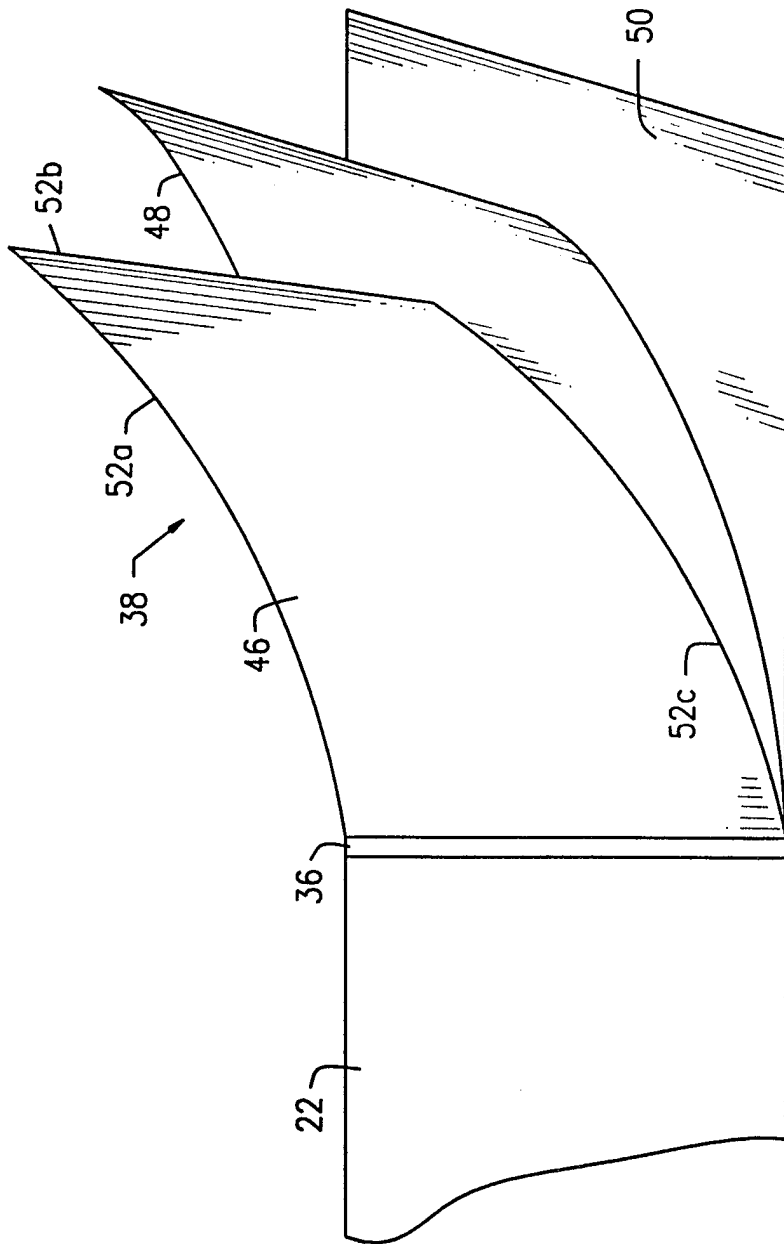


FIG. 4

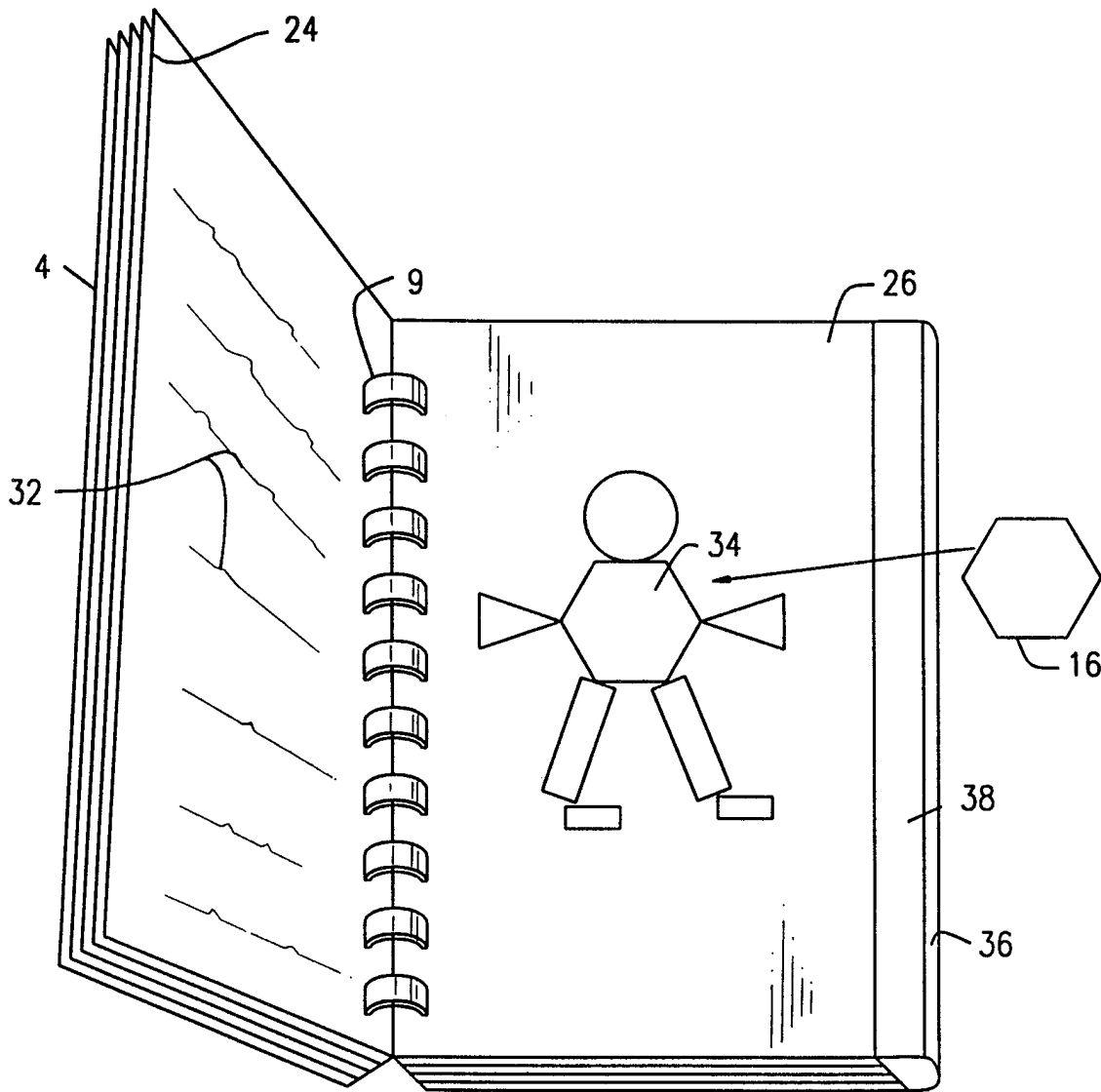


FIG. 5

INTERNATIONAL SEARCH REPORT

International application No.
PCT/US98/08770

A. CLASSIFICATION OF SUBJECT MATTER

IPC(6) :B42D 1/00; G09B 3/00

US CL :281/15.1; 434/330

According to International Patent Classification (IPC) or to both national classification and IPC

B. FIELDS SEARCHED

Minimum documentation searched (classification system followed by classification symbols)

U.S. : Please See Extra Sheet.

Documentation searched other than minimum documentation to the extent that such documents are included in the fields searched

Electronic data base consulted during the international search (name of data base and, where practicable, search terms used)

USPATFULL, JAPIO, PATOSWO, EUROPATFULL, ABI-INFORM, GPIC

search terms: book, magnet, magnetic, fold out

C. DOCUMENTS CONSIDERED TO BE RELEVANT

Category*	Citation of document, with indication, where appropriate, of the relevant passages	Relevant to claim No.
A	US 4,832,605 A (BRAGIN) 23 MAY 1989	
A	US 4,702,700 A (TAYLOR) 27 OCTOBER 1987	
A	US 3,496,653 A (WOLFNER ET AL) 24 FEBRUARY 1970	
A	US 5,029,902 A (KOMORI) 09 JULY 1991	
A, P	US 5,636,872 A (GAMER ET AL) 10 JUNE 1997	

Further documents are listed in the continuation of Box C.

See patent family annex.

* Special categories of cited documents:	*T* later document published after the international filing date or priority date and not in conflict with the application but cited to understand the principle or theory underlying the invention
A document defining the general state of the art which is not considered to be of particular relevance	*X* document of particular relevance; the claimed invention cannot be considered novel or cannot be considered to involve an inventive step when the document is taken alone
E earlier document published on or after the international filing date	*Y* document of particular relevance; the claimed invention cannot be considered to involve an inventive step when the document is combined with one or more other such documents, such combination being obvious to a person skilled in the art
L document which may throw doubts on priority claim(s) or which is cited to establish the publication date of another citation or other special reason (as specified)	* & * document member of the same patent family
O document referring to an oral disclosure, use, exhibition or other means	
P document published prior to the international filing date but later than the priority date claimed	

Date of the actual completion of the international search

13 JULY 1998

Date of mailing of the international search report

27 JUL 1998

Name and mailing address of the ISA/US
Commissioner of Patents and Trademarks
Box PCT
Washington, D.C. 20231

Facsimile No. (703) 305-3230

Authorized officer

John Rovnak

Telephone No. (703) 308-3087

Sheila Veney
Sheila Veney
 Paralegal Specialist
 Group 32003700

INTERNATIONAL SEARCH REPORT

International application No.
PCT/US98/08770

B. FIELDS SEARCHED

Minimum documentation searched

Classification System: U.S.

281/15.1, 31, 38, 51; 434/330, 128, 134, 168, 190, 333, 406, 428, 429; 273/239, 283, 285, 153R, 155, 156, 157R, 157A, 153S, 153J; d19/26, 27, 32