

(19) World Intellectual Property Organization
International Bureau



(43) International Publication Date
6 May 2005 (06.05.2005)

PCT

(10) International Publication Number
WO 2005/039849 A3

- (51) International Patent Classification:
A47C 27/05 (2006.01)
- (21) International Application Number:
PCT/US2004/029178
- (22) International Filing Date:
8 September 2004 (08.09.2004)
- (25) Filing Language: English
- (26) Publication Language: English
- (30) Priority Data:
60/511,849 15 October 2003 (15.10.2003) US
- (71) Applicant: SEALY TECHNOLOGY LLC [US/US];
One Office Parkway, Trinity, NC 27370 (US).
- (72) Inventor: BARMAN, Bruce, G.; 103 Staunton Drive,
Greensboro, NC 27410 (US).
- (74) Agent: SCOOT, James, C.; One Cleveland Center, 9th
Floor, 1375 East 9th Street, Cleveland, OH 44114 (US).
- (81) Designated States (unless otherwise indicated, for every
kind of national protection available): AE, AG, AL, AM,

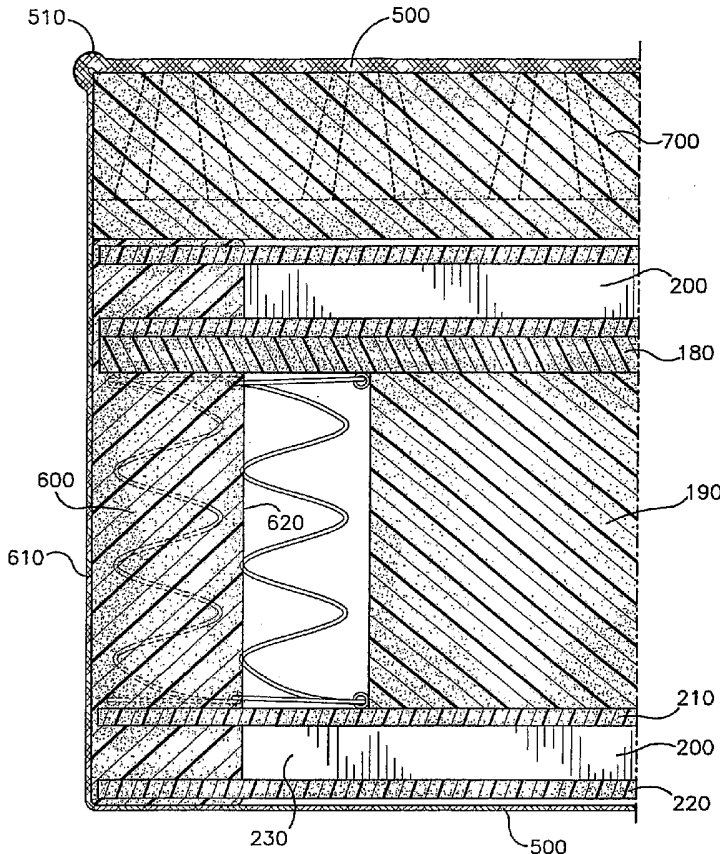
AT, AU, AZ, BA, BB, BG, BR, BW, BY, BZ, CA, CH, CN, CO, CR, CU, CZ, DE, DK, DM, DZ, EC, EE, EG, ES, FI, GB, GD, GE, GH, GM, HR, HU, ID, IL, IN, IS, JP, KE, KG, KP, KR, KZ, LC, LK, LR, LS, LT, LU, LV, MA, MD, MG, MK, MN, MW, MX, MZ, NA, NI, NO, NZ, OM, PG, PH, PL, PT, RO, RU, SC, SD, SE, SG, SK, SL, SY, TJ, TM, TN, TR, TT, TZ, UA, UG, US, UZ, VC, VN, YU, ZA, ZM, ZW.

(84) Designated States (unless otherwise indicated, for every kind of regional protection available): ARIPO (BW, GH, GM, KE, LS, MW, MZ, NA, SD, SL, SZ, TZ, UG, ZM, ZW), Eurasian (AM, AZ, BY, KG, KZ, MD, RU, TJ, TM), European (AT, BE, BG, CH, CY, CZ, DE, DK, EE, ES, FI, FR, GB, GR, HU, IE, IT, LU, MC, NL, PL, PT, RO, SE, SI, SK, TR), OAPI (BF, BJ, CF, CG, CI, CM, GA, GN, GQ, GW, ML, MR, NE, SN, TD, TG).

Published:
— with international search report
— before the expiration of the time limit for amending the claims and to be republished in the event of receipt of amendments

[Continued on next page]

(54) Title: FOAM ENCASED INNERSPRING WITH INTERNAL FOAM COMPONENTS (TRIPLE CASE)



(57) Abstract: The technical features mentioned in the abstract do not include a reference sign between parentheses (PCT Rule 8.1(d)). A molded foam-encased integrated flexible support device includes an innerspring (110) positioned upon a three-dimensional thermoplastic foam deck (200) as a flexible foundation, and a molded foam encasement (600) which structurally integrates the foam deck with the innerspring by attachment to perimeter coils of the innerspring. A sculpted foam topper (700) is adhesively bonded to a support surface of the foam-encased innerspring, forming a unitized mattress or support structure with fully integrated innerspring and internal and external foam components. The sculpted foam topper is designed with varying contours and densities to provide the desired support and feel characteristics for different comfort profiles. The foam encased innerspring with internal three-dimensional foam structures is upholstered for use as a mattress, seating, or other flexible support structure.

WO 2005/039849 A3



(88) Date of publication of the international search report:

21 December 2006

For two-letter codes and other abbreviations, refer to the "Guidance Notes on Codes and Abbreviations" appearing at the beginning of each regular issue of the PCT Gazette.

INTERNATIONAL SEARCH REPORT

International application No.

PCT/US04/29178

A. CLASSIFICATION OF SUBJECT MATTER

IPC: **A47C 27/05** (2006.01)

USPC: **5/717**

According to International Patent Classification (IPC) or to both national classification and IPC

B. FIELDS SEARCHED

Minimum documentation searched (classification system followed by classification symbols)

U.S. : 5/716, 718-721

Documentation searched other than minimum documentation to the extent that such documents are included in the fields searched

Electronic data base consulted during the international search (name of data base and, where practicable, search terms used)

C. DOCUMENTS CONSIDERED TO BE RELEVANT

Category *	Citation of document, with indication, where appropriate, of the relevant passages	Relevant to claim No.
X	US 5,787,532 A (LANGER et al.) 04 August 1998 (04.08.1998), see entire disclosure.	1-3,5-7,9-18,20-21,26-34,36-40,43-44,46-47,49-50,52-53 ----- 4,8,19,22-25,35,41-42,45,48,51,54,55
Y	US 1,906,893 A (YOUNG et al.) 02 May 1933 (02.05.1933), see Figure 1.	4,19,22-25,35,48
Y	US 3,010,122 A (KOENIGSBERG) 28 November 1961 (28.11.1961), see Figures 2,3.	4,19,22-25,35,48
Y	US 5,040,255 A (BARBER, JR.) 20 August 1991 (20.08.1991), see col. 2.	8,41-42,54
Y	US 4,901,384 A (EARY) 20 February 1990 (20.02.1990), see col. 4 line 45+.	45

Further documents are listed in the continuation of Box C.

See patent family annex.

* Special categories of cited documents:		
"A" document defining the general state of the art which is not considered to be of particular relevance	"T"	later document published after the international filing date or priority date and not in conflict with the application but cited to understand the principle or theory underlying the invention
"E" earlier application or patent published on or after the international filing date	"X"	document of particular relevance; the claimed invention cannot be considered novel or cannot be considered to involve an inventive step when the document is taken alone
"I" document which may throw doubts on priority claim(s) or which is cited to establish the publication date of another citation or other special reason (as specified)	"Y"	document of particular relevance; the claimed invention cannot be considered to involve an inventive step when the document is combined with one or more other such documents, such combination being obvious to a person skilled in the art
"O" document referring to an oral disclosure, use, exhibition or other means	"&"	document member of the same patent family
"P" document published prior to the international filing date but later than the priority date claimed		

Date of the actual completion of the international search

12 March 2006 (12.03.2006)

Date of mailing of the international search report

16 OCT 2006

Name and mailing address of the ISA/US

Mail Stop PCT, Attn: ISA/US
Commissioner for Patents
P.O. Box 1450
Alexandria, Virginia 22313-1450

Facsimile No. (571) 273-3201

Authorized officer

Sunil Singh

Telephone No. (571) 272-3600

INTERNATIONAL SEARCH REPORT

International application No.
PCT/US04/29178

C. (Continuation) DOCUMENTS CONSIDERED TO BE RELEVANT

Category *	Citation of document, with indication, where appropriate, of the relevant passages	Relevant to claim No.
Y	US 3,099,021 A (WETZLER) 30 July 1963 (30.07.1963), see Figure 3	51
Y	US 6,158,071 A (WELLS) 12 December 2000 (12.12.2000), see Figure 2.	55