



US00D894276S

(12) **United States Design Patent**
Knapp et al.

(10) **Patent No.:** **US D894,276 S**

(45) **Date of Patent:** **** Aug. 25, 2020**

(54) **WHITEBOARD**

(71) Applicant: **CKnapp Sales, Inc.**, Goodfield, IL (US)

(72) Inventors: **Chance Knapp**, Goodfield, IL (US);
Brandon Meyer, Normal, IL (US)

(73) Assignee: **CKnapp Sales, Inc.**, Goodfield, IL (US)

(**) Term: **15 Years**

(21) Appl. No.: **29/691,143**

(22) Filed: **May 14, 2019**

(51) **LOC (12) Cl.** **19-06**

(52) **U.S. Cl.**
USPC **D19/113**

(58) **Field of Classification Search**
USPC D19/113, 114, 81, 88, 26-33; D6/310, D6/311; D7/698; D20/10, 19, 39, 40, D20/41, 42; D14/341, 440; D8/354; 248/300

CPC B43L 1/00; B43L 1/008; B43L 1/08; B43L 1/04; B43L 5/00; B43L 5/02; B43L 5/002; B43L 5/005; B43L 5/007; B42F 9/001; B42F 9/002; B42F 9/004; B42F 9/005; B42F 9/007; B42F 9/008; G09F 15/00; G09F 15/0006; G09F 15/0012; G09F 1/12; G09F 7/00; B44D 3/18; B44D 3/185

See application file for complete search history.

1,934,532 A * 11/1933 Hallowell G09F 1/12 40/611.04

2,249,663 A * 7/1941 Minnick A47G 1/0611 40/780

3,539,968 A * 11/1970 Wegner H01R 13/6397 439/134

D249,889 S * 10/1978 DeAmicis D23/259

4,727,431 A * 2/1988 Nakamura H04N 1/38 358/401

D318,409 S * 7/1991 Garrett D8/72

5,176,522 A * 1/1993 Robertson, Jr. B43L 1/00 434/408

D334,590 S * 4/1993 Villano D19/59

D349,232 S * 8/1994 Lebow D8/354

D359,224 S * 6/1995 Airey D8/349

D378,343 S * 3/1997 Macor D8/73

5,707,032 A * 1/1998 Ehrlich A47G 11/006 160/368.1

D391,150 S * 2/1998 Anderson D8/394

6,055,757 A * 5/2000 Carlsson A47G 1/0611 40/739

D443,493 S * 6/2001 Skeem D8/72

D507,812 S * 7/2005 Cesaroni D19/113

(Continued)

Primary Examiner — Elizabeth A. Albert
(74) *Attorney, Agent, or Firm* — Hanley, Flight and Zimmerman, LLC

(57) **CLAIM**

The ornamental design for a whiteboard, substantially as shown and described.

DESCRIPTION

FIG. 1 is an isometric view of a whiteboard showing my new design.

FIG. 2 is a front view of FIG. 1.

FIG. 3 is a rear view of FIG. 1.

FIG. 4 is a first side view of FIG. 1.

FIG. 5 is a second side view of FIG. 1.

FIG. 6 is a top view of FIG. 1; and,

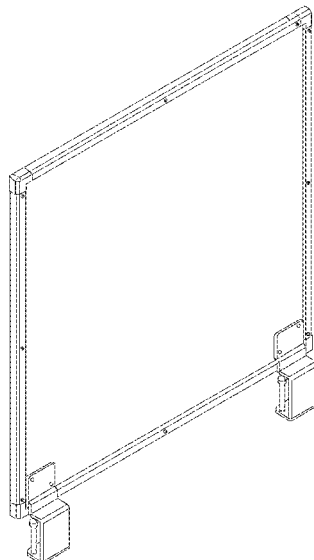
FIG. 7 is a bottom view of FIG. 1.

1 Claim, 7 Drawing Sheets

(56) **References Cited**
U.S. PATENT DOCUMENTS

1,669,199 A * 5/1928 Hicks H01F 27/02 248/300

1,810,305 A * 6/1931 Tracy B43L 1/04 434/414



(56)

References Cited

U.S. PATENT DOCUMENTS

7,568,915	B1 *	8/2009	Lavoie	B43L 1/00 434/408
D626,599	S *	11/2010	Ogawa	D19/113
D636,928	S *	4/2011	Lin	D26/138
D683,403	S *	5/2013	Vasconcelos	D19/113
D705,029	S *	5/2014	Gangakhedkar	D8/72
D705,356	S *	5/2014	Kang	D19/113
D709,554	S *	7/2014	Kang	D19/113
8,872,772	B2 *	10/2014	Thompson	G06F 3/0428 178/18.01
9,669,650	B2 *	6/2017	Shen	G09B 5/02
D809,600	S *	2/2018	Anderson	D19/113
D825,319	S *	8/2018	Zussman	D8/381
D826,326	S *	8/2018	Sellon	D19/113
D832,671	S *	11/2018	Gangakhedkar	D8/72
2006/0214919	A1 *	9/2006	Moore	B43L 1/002 345/173

* cited by examiner

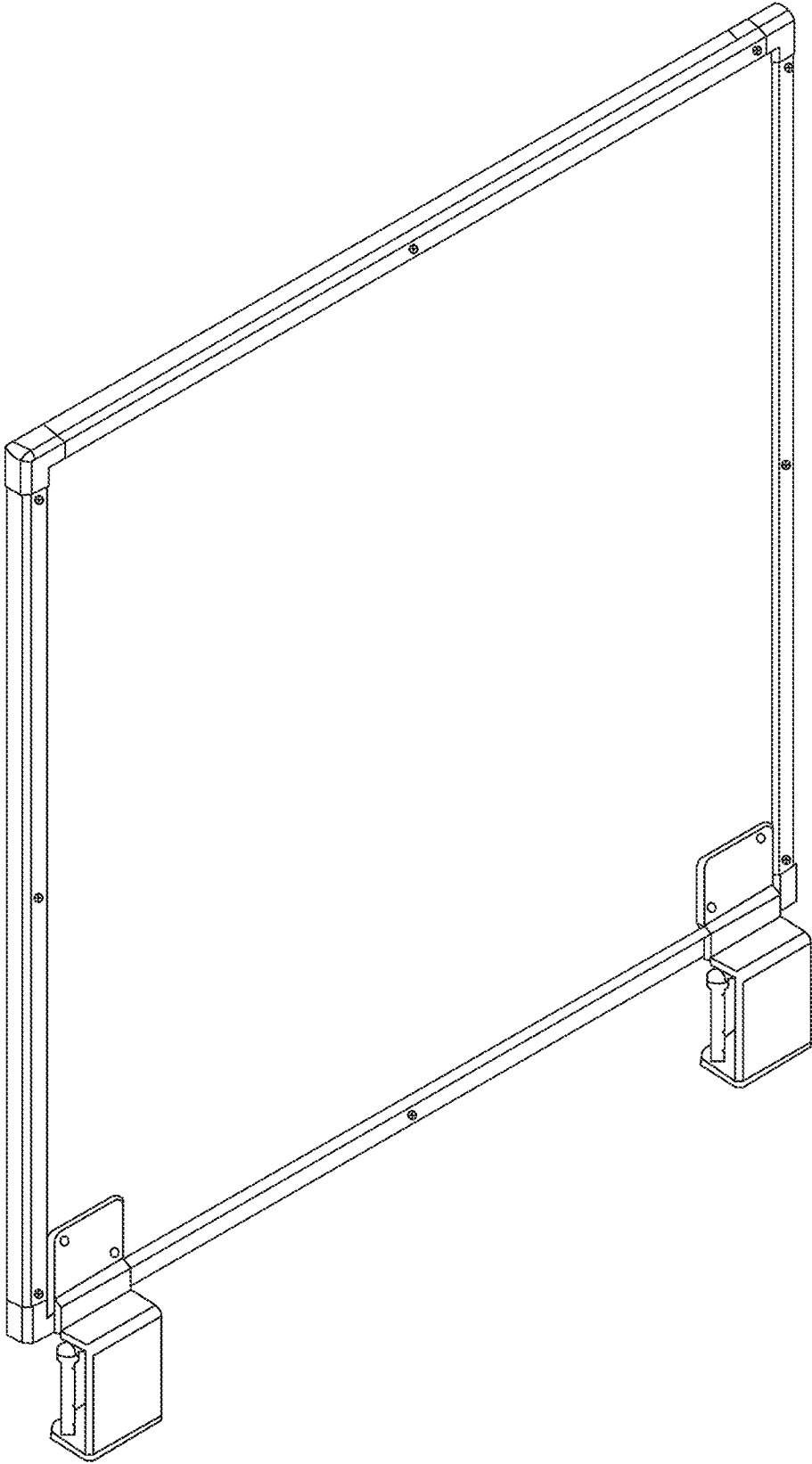


FIG. 1

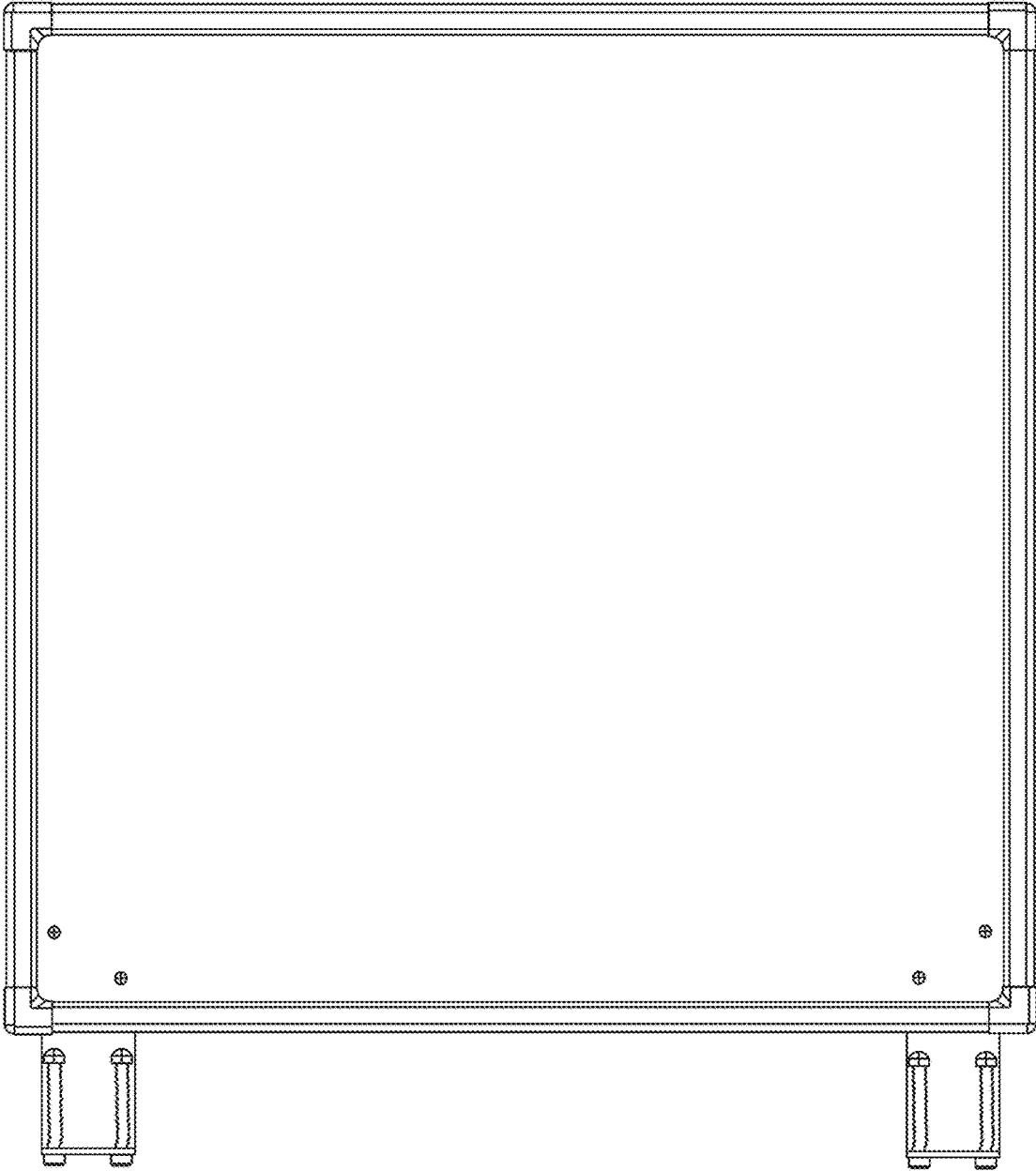


FIG. 2

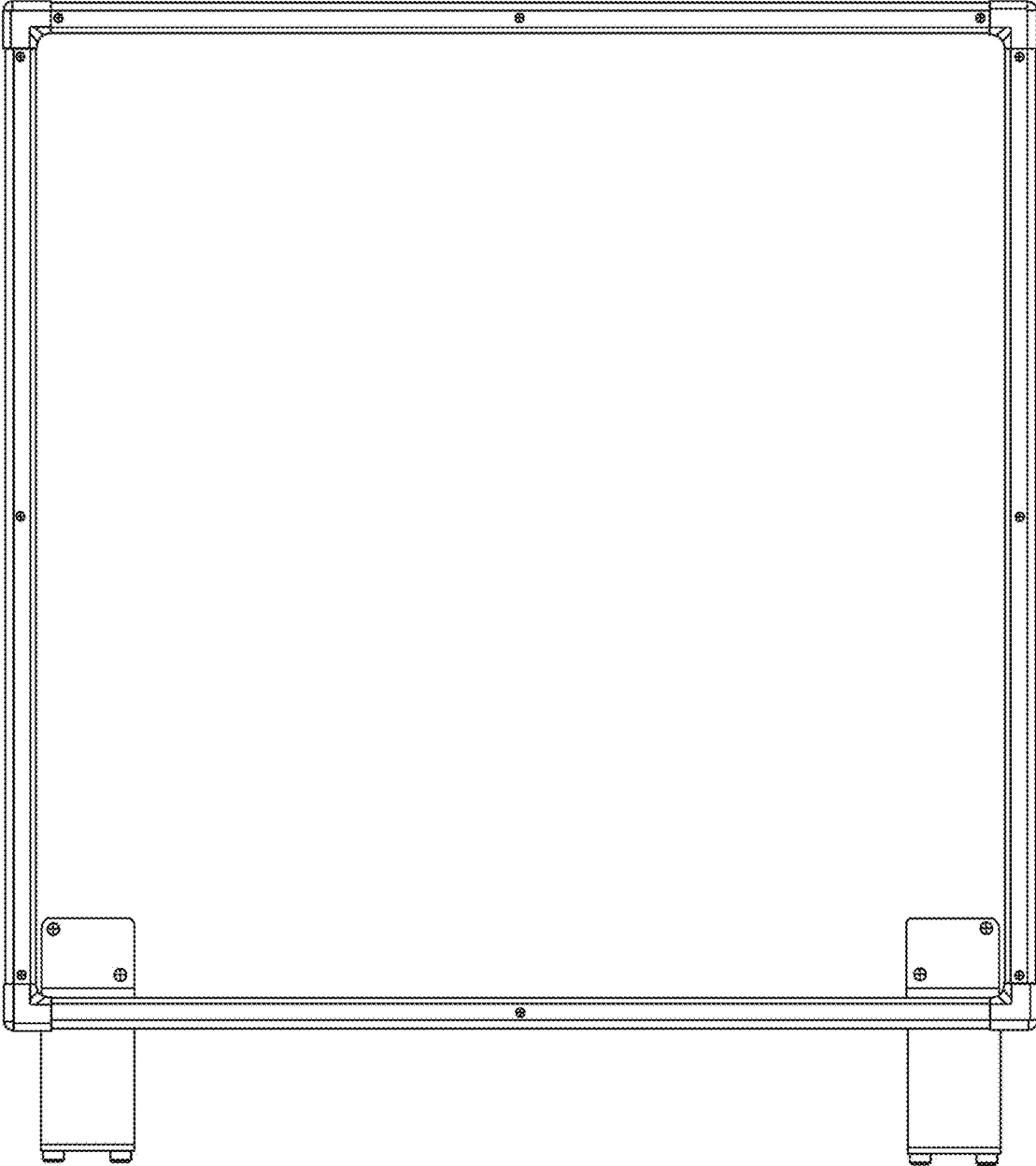


FIG. 3



FIG. 4

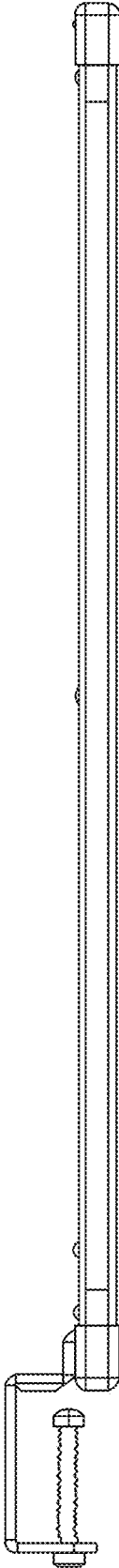


FIG. 5

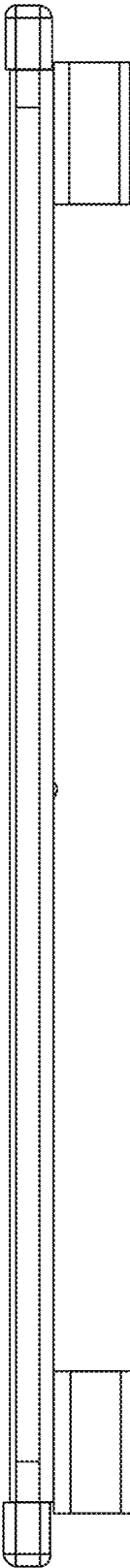


FIG. 6

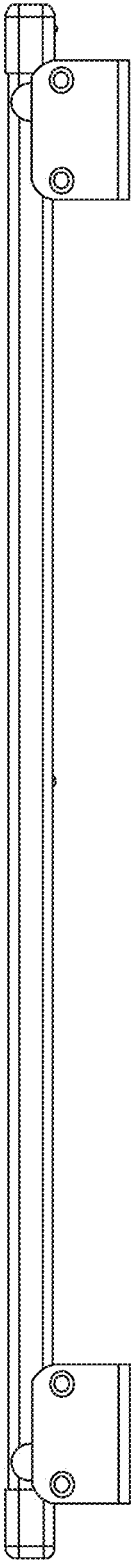


FIG. 7