



US00D546097S

(12) **United States Design Patent**  
**Glass et al.**

(10) **Patent No.:** **US D546,097 S**

(45) **Date of Patent:** **\*\* Jul. 10, 2007**

(54) **DESK**

(75) Inventors: **Peter Glass**, Arroyo Grande, CA (US);  
**Robert J. Mills**, Torrance, CA (US)

(73) Assignee: **Virco Mgmt. Corporation**, Torrance,  
CA (US)

(\*\*) Term: **14 Years**

(21) Appl. No.: **29/254,924**

(22) Filed: **Mar. 3, 2006**

(51) **LOC (8) Cl.** ..... **06-03**

(52) **U.S. Cl.** ..... **D6/487**

(58) **Field of Classification Search** ..... D6/480-489,  
D6/495-499, 511, 429; 108/150, 153.1,  
108/155, 156, 191; 248/188, 188.1, 188.8  
See application file for complete search history.

(56) **References Cited**

**U.S. PATENT DOCUMENTS**

D99,565 S	5/1936	Talbert	
D113,459 S	2/1939	Haag	
D168,787 S	2/1953	Florian et al.	
D170,004 S	7/1953	Chapman et al.	
D170,006 S	7/1953	Chapman et al.	
D177,297 S	3/1956	Wright	
D177,298 S	3/1956	Wright	
D178,408 S	7/1956	Konkle	
D183,442 S	8/1958	Williams	
D216,710 S	3/1970	Lambert et al.	
D273,163 S	3/1984	Halme	
D306,105 S	2/1990	Newhouse	
D321,447 S	11/1991	Newhouse	
D335,787 S	5/1993	Hollington	
D386,631 S	11/1997	Meier et al.	
D388,639 S *	1/1998	Dormon et al. ....	D6/482
D435,366 S	12/2000	McClintock	
D449,470 S *	10/2001	Morrow .....	D6/484
D473,068 S	4/2003	Holbrook et al.	

D473,399 S	4/2003	Holbrook et al.	
D474,044 S	5/2003	Holbrook et al.	
D474,356 S *	5/2003	Bosman et al. ....	D6/487
6,874,429 B2	4/2005	Bosman et al.	
D507,710 S	7/2005	Fletcher et al.	
D510,670 S	10/2005	Glass et al.	

**OTHER PUBLICATIONS**

Artco-Bell Corporation "Product Catalog", p. 22, model C800, undated.  
KI Intellect Two-Student Table, www.ki.com, Feb. 28, 2006.  
Royal Seating, Ltd., Total Furniture Solutions, p. 16, models 900D and 905D, and p. 17, model 910D, undated.  
Scholar Craft, "School Furniture" catalog, p. 26, model 7950, 2003.  
Smith System, "Furniture for Teaching and Technology" catalog, p. 35, models 01380 and 01361, 2004.

\* cited by examiner

*Primary Examiner*—Janice E. Seeger  
(74) *Attorney, Agent, or Firm*—Robert M. Hupe; Virco Mgmt. Corporation

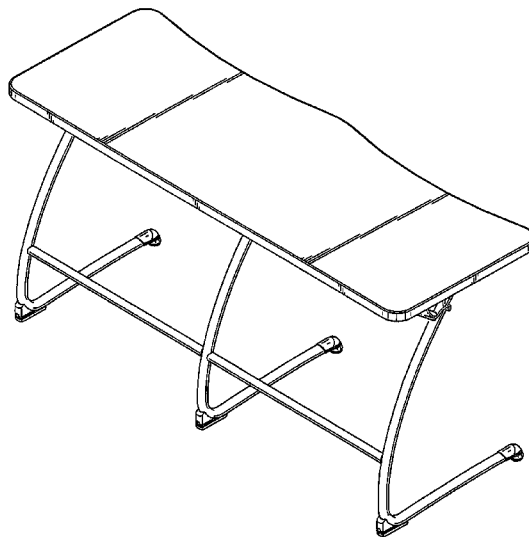
(57) **CLAIM**

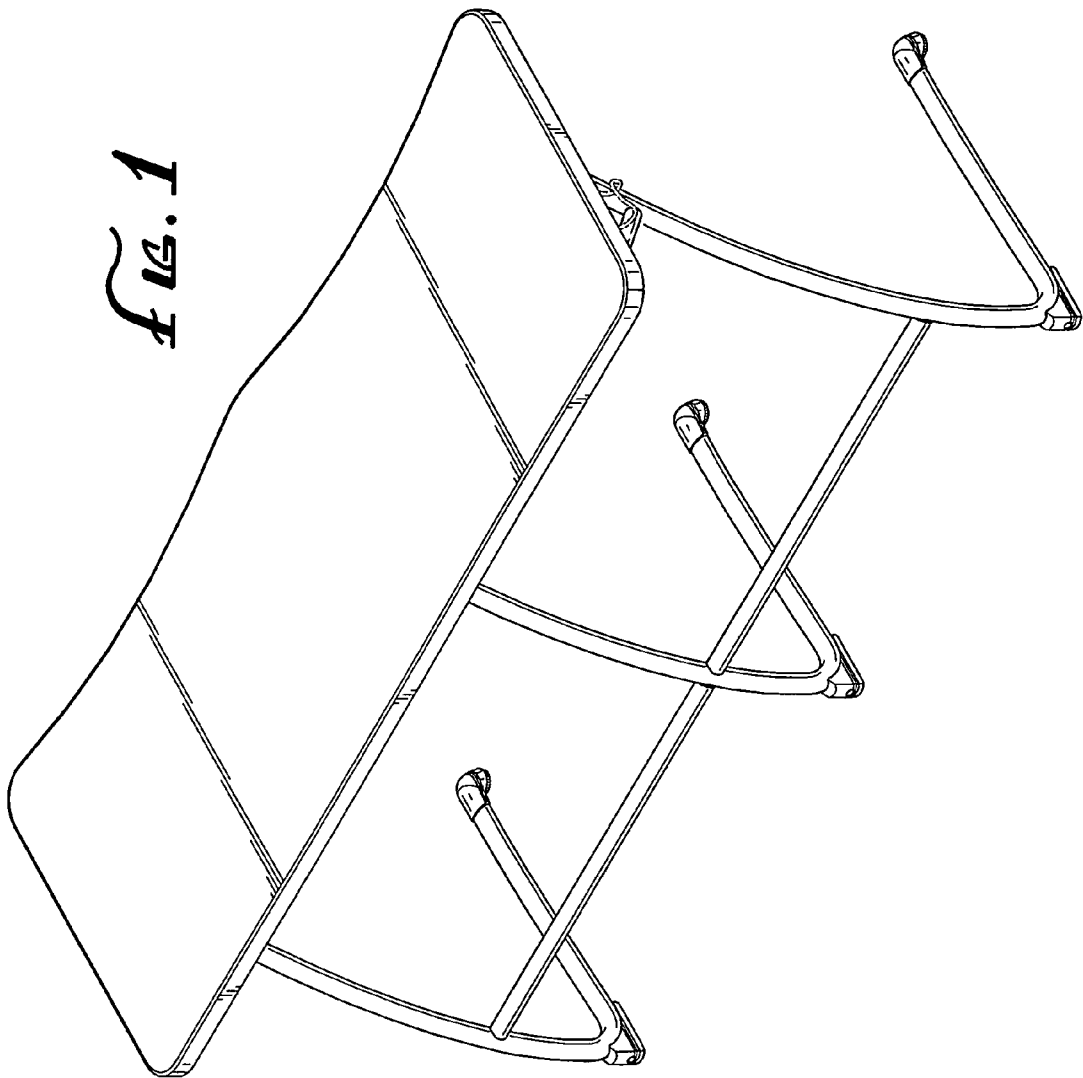
The ornamental design for a "desk," as shown and described.

**DESCRIPTION**

FIG. 1 is a perspective view of a desk showing my new design;  
FIG. 2 a top view thereof;  
FIG. 3 is a back plan view thereof;  
FIG. 4 is a left side view thereof, the opposite side view being a mirror image thereof;  
FIG. 5 is a front plan view thereof; and,  
FIG. 6 is a bottom view thereof.  
The broken lines are for illustrative purposes only and form no part of the claimed design.

**1 Claim, 6 Drawing Sheets**





*FIG. 1*



Fig. 2

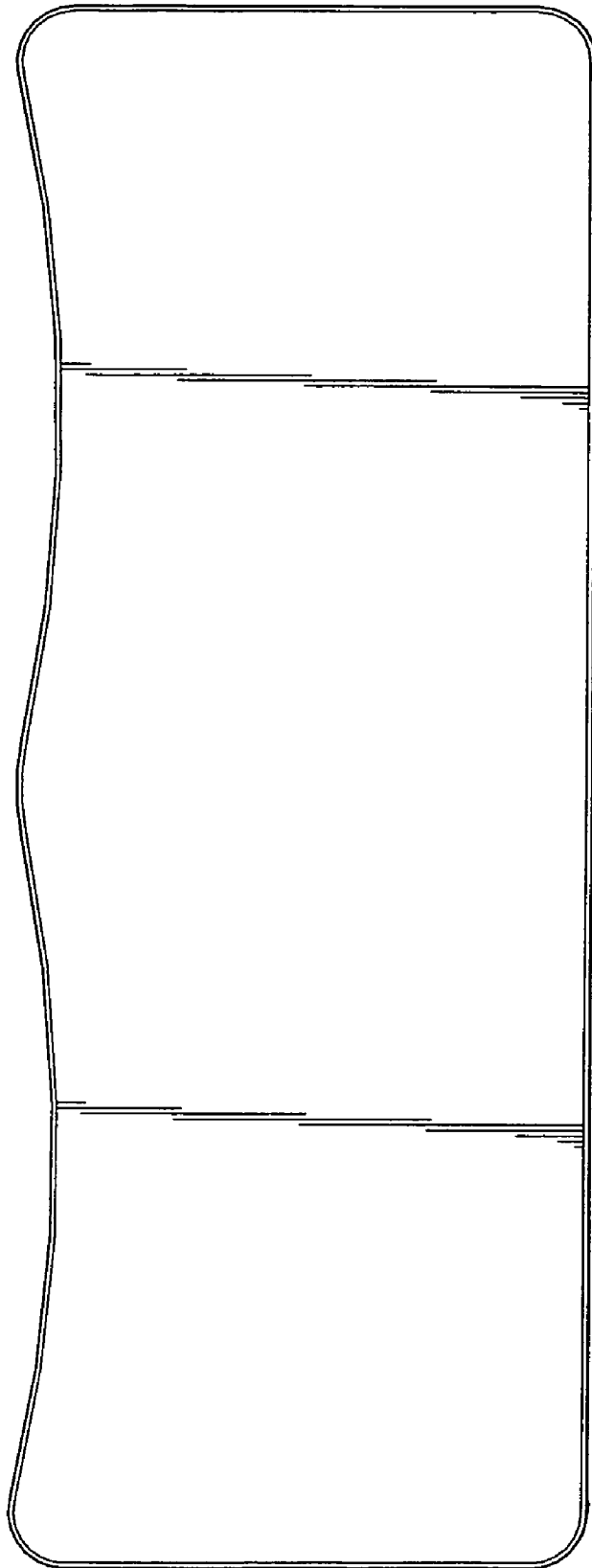


FIG. 3

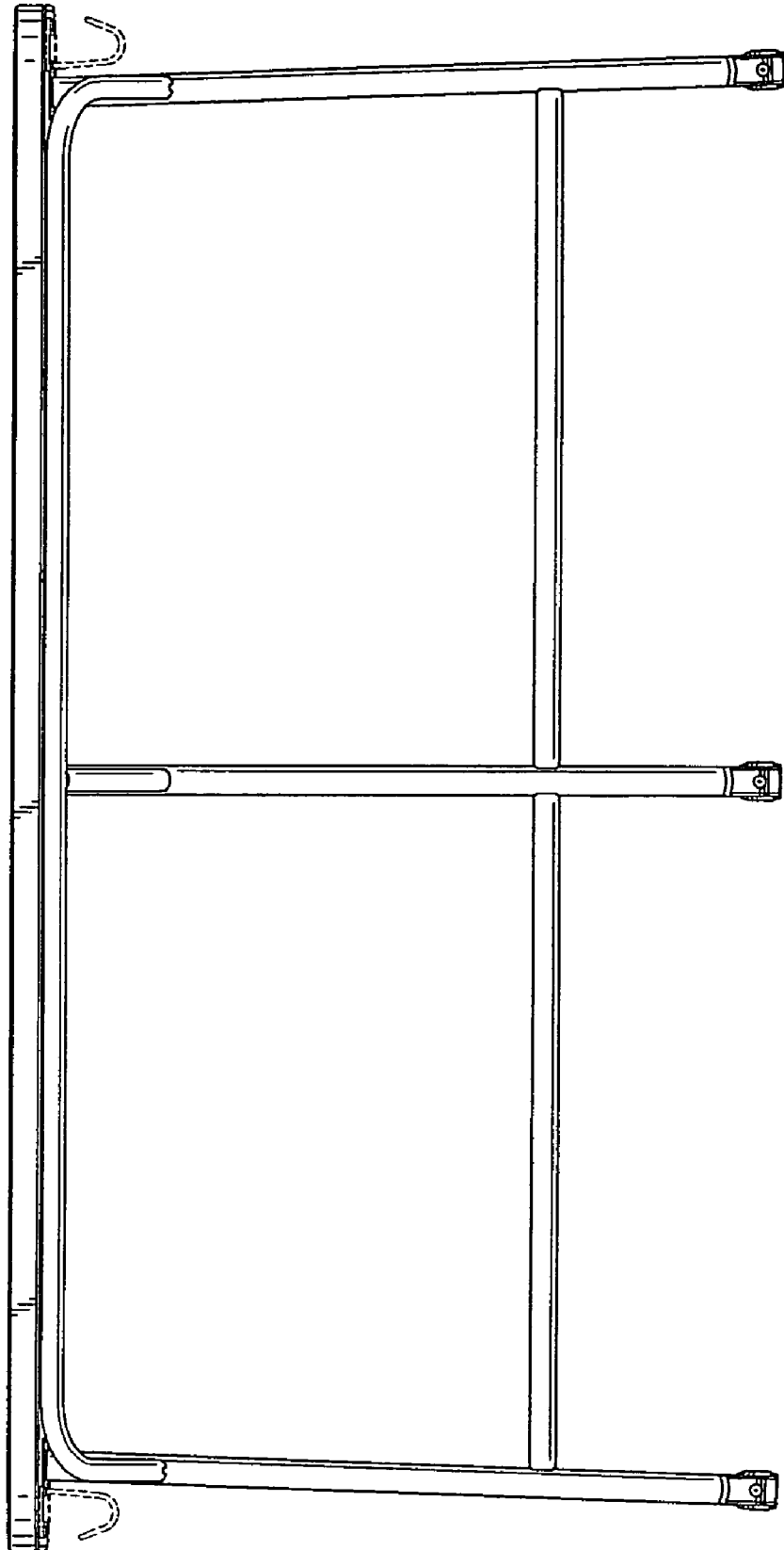


FIG. 4

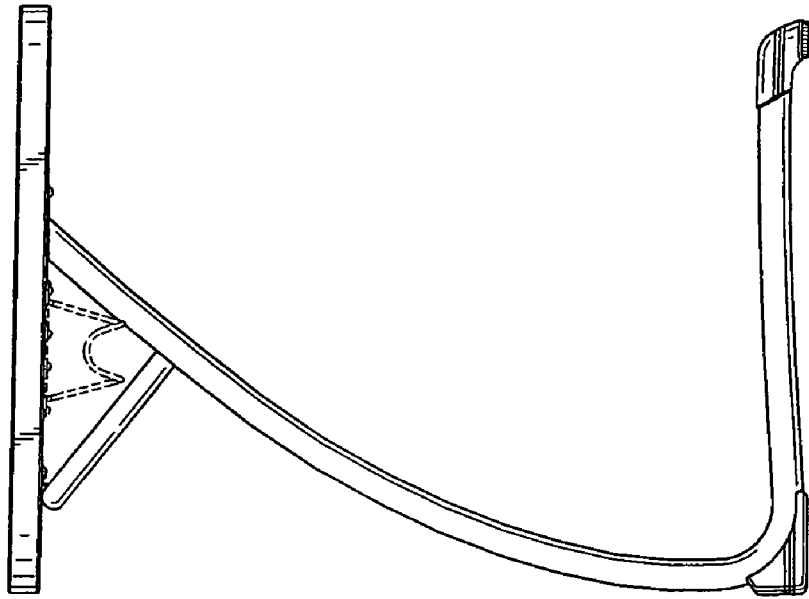


FIG. 5

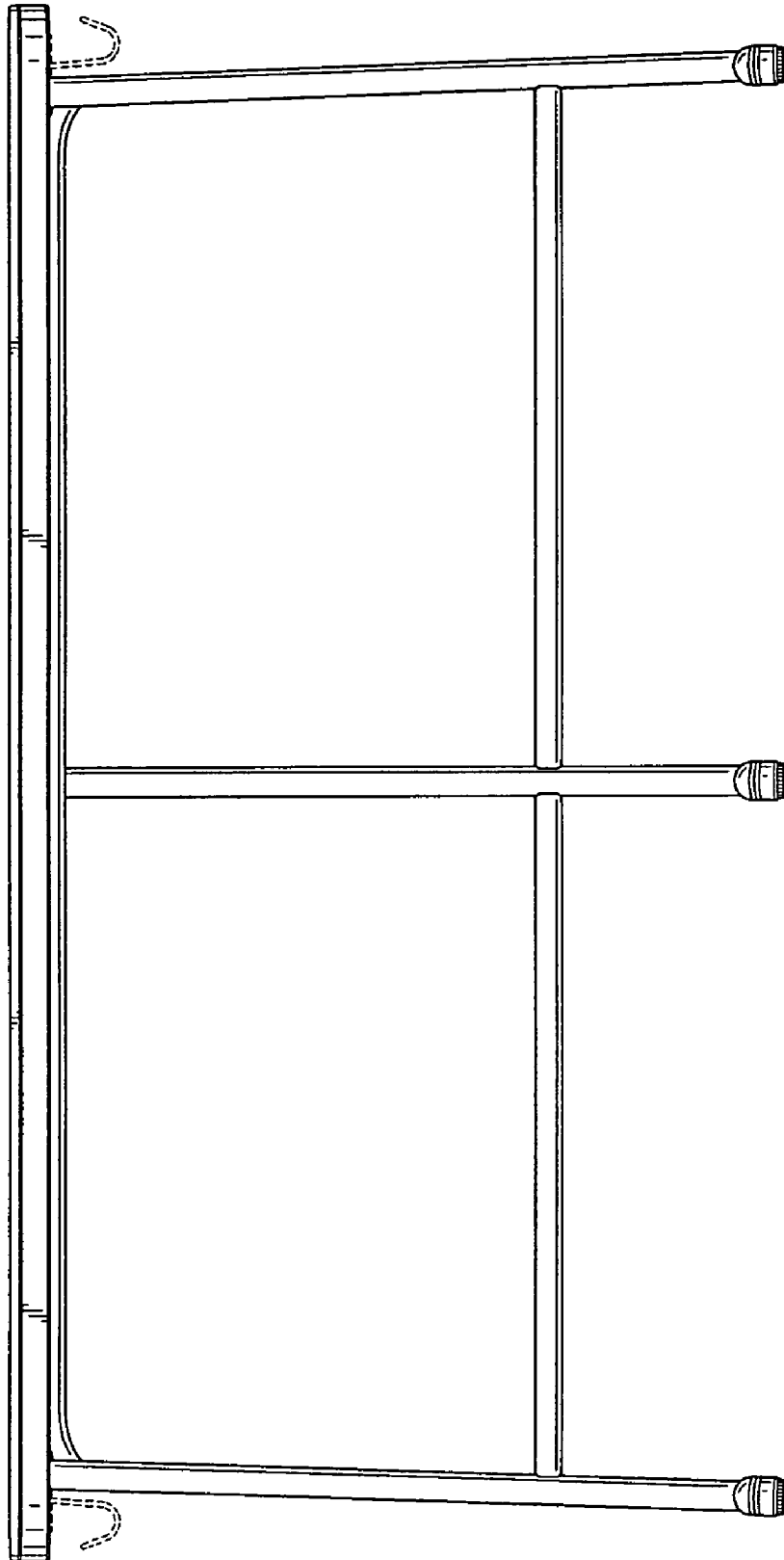


FIG. 6

