



US00D764422S

(12) **United States Design Patent**
Hon et al.

(10) **Patent No.:** **US D764,422 S**

(45) **Date of Patent:** **** Aug. 23, 2016**

(54) **LIGHT-EMITTING DIODE**

(71) Applicant: **EPISTAR CORPORATION**, Hsinchu (TW)

(72) Inventors: **Schang-Jing Hon**, Hsinchu (TW); **Chao-Hsing Chen**, Hsinchu (TW); **Tsun-Kai Ko**, Hsinchu (TW); **Chien-Fu Shen**, Hsinchu (TW); **Jia-Kuen Wang**, Hsinchu (TW); **Hung-Che Chen**, Hsinchu (TW)

(73) Assignee: **EPISTAR CORPORATION**, Hsinchu (TW)

(**) Term: **15 Years**

(21) Appl. No.: **29/542,297**

(22) Filed: **Oct. 13, 2015**

Related U.S. Application Data

(63) Continuation of application No. 29/481,047, filed on Jan. 31, 2014, now Pat. No. Des. 743,354, which is a continuation of application No. 29/451,744, filed on Apr. 8, 2013, now Pat. No. Des. 698,743.

(30) **Foreign Application Priority Data**

Dec. 7, 2012 (TW) 101307354

(51) **LOC (10) Cl.** **13-03**

(52) **U.S. Cl.**
USPC **D13/180**

(58) **Field of Classification Search**

USPC D13/180; D26/1
CPC ... H01L 25/167; H01L 25/0753; H01L 27/15;
H01L 27/156; H01L 31/02; H01L 33/00;
H01L 33/04; H01L 33/08; H01L 33/10;

H01L 33/20; H01L 33/38; H01L 33/42;
H01L 33/48; H01L 33/483; H01L 33/486

See application file for complete search history.

(56) **References Cited**

U.S. PATENT DOCUMENTS

| | | | |
|-----------|----|---------|---------------|
| 6,614,056 | B1 | 9/2003 | Tarsa et al. |
| 6,844,571 | B2 | 1/2005 | Krames et al. |
| 7,282,741 | B2 | 10/2007 | Kim et al. |
| 7,429,755 | B2 | 9/2008 | Hsu |
| D580,888 | S | 11/2008 | Liu |
| 7,777,245 | B2 | 8/2010 | Hwang et al. |
| 7,795,610 | B2 | 9/2010 | Kim et al. |
| D635,525 | S | 4/2011 | Edmond et al. |

(Continued)

Primary Examiner — Selina Sikder

(74) *Attorney, Agent, or Firm* — Muncy, Geissler, Olds & Lowe, P.C.

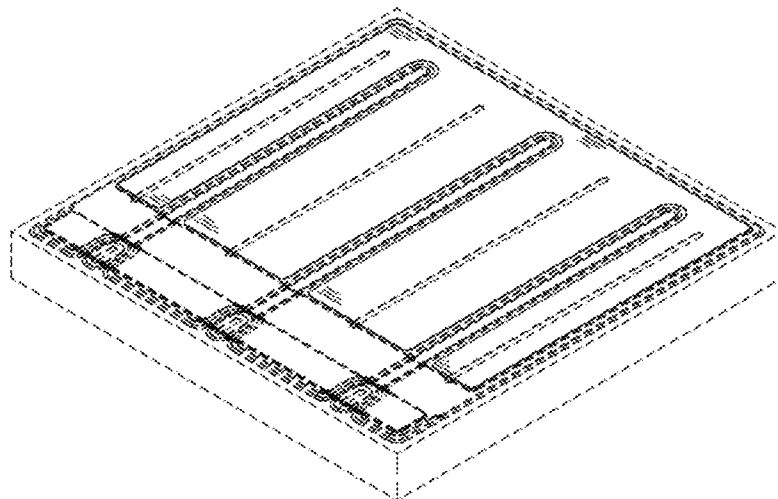
(57) **CLAIM**

The ornamental design for a light-emitting diode, as shown and described.

DESCRIPTION

FIG. 1 is a perspective view of a light-emitting diode showing our new design; FIG. 2 is another perspective view of the light-emitting diode; FIG. 3 is a front elevational view of the light-emitting diode; FIG. 4 is a rear elevational view of the light-emitting diode; FIG. 5 is a left side view of the light-emitting diode; FIG. 6 is a right side view of the light-emitting diode; FIG. 7 is a top plan view of the light-emitting diode; and, FIG. 8 is a bottom plan view of the light-emitting diode. The broken line showing is for the purpose of illustrating environmental structure and forms no part of the claimed design.

1 Claim, 6 Drawing Sheets



(56)

References Cited

U.S. PATENT DOCUMENTS

| | | | | | | | | |
|-----------|----|---------|---------------|--------------|-----|---------|----------------|---------|
| 8,168,995 | B2 | 5/2012 | Ko et al. | 8,742,449 | B2 | 6/2014 | Seo et al. | |
| 8,188,493 | B2 | 5/2012 | Li et al. | 8,866,186 | B2 | 10/2014 | Oriji et al. | |
| 8,188,505 | B2 | 5/2012 | Shen et al. | D721,663 | S | 1/2015 | Chen et al. | |
| 8,362,516 | B2 | 1/2013 | Inoue et al. | D721,664 | S | 1/2015 | Chen et al. | |
| D676,001 | S | 2/2013 | Hsu et al. | 9,012,952 | B2 | 4/2015 | Seo et al. | |
| D680,085 | S | 4/2013 | Wu et al. | 9,018,669 | B2 | 4/2015 | Seo et al. | |
| D681,567 | S | 5/2013 | Wang et al. | D733,079 | S * | 6/2015 | Chen | D13/180 |
| D684,940 | S | 6/2013 | Chu et al. | D740,240 | S * | 10/2015 | Chen | D13/180 |
| 8,461,615 | B2 | 6/2013 | Kimura et al. | D743,354 | S * | 11/2015 | Hon | D13/180 |
| D687,396 | S | 8/2013 | Chen et al. | D752,527 | S * | 3/2016 | Chen | D13/180 |
| 8,525,196 | B2 | 9/2013 | Lee et al. | 2003/0107053 | A1 | 6/2003 | Uemura et al. | |
| 8,546,840 | B2 | 10/2013 | Inoue et al. | 2005/0133807 | A1 | 6/2005 | Park et al. | |
| D698,743 | S | 2/2014 | Hon et al. | 2008/0210972 | A1 | 9/2008 | Ko et al. | |
| | | | | 2008/0230791 | A1 | 9/2008 | Lin et al. | |
| | | | | 2012/0241808 | A1 | 9/2012 | Akiyama et al. | |

* cited by examiner

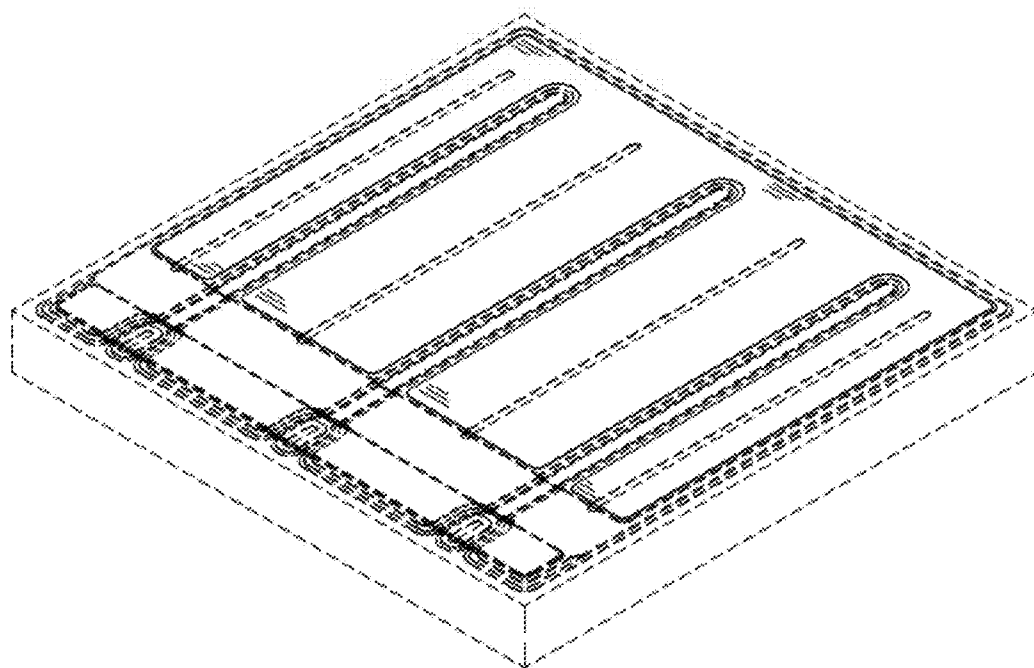


FIG.1

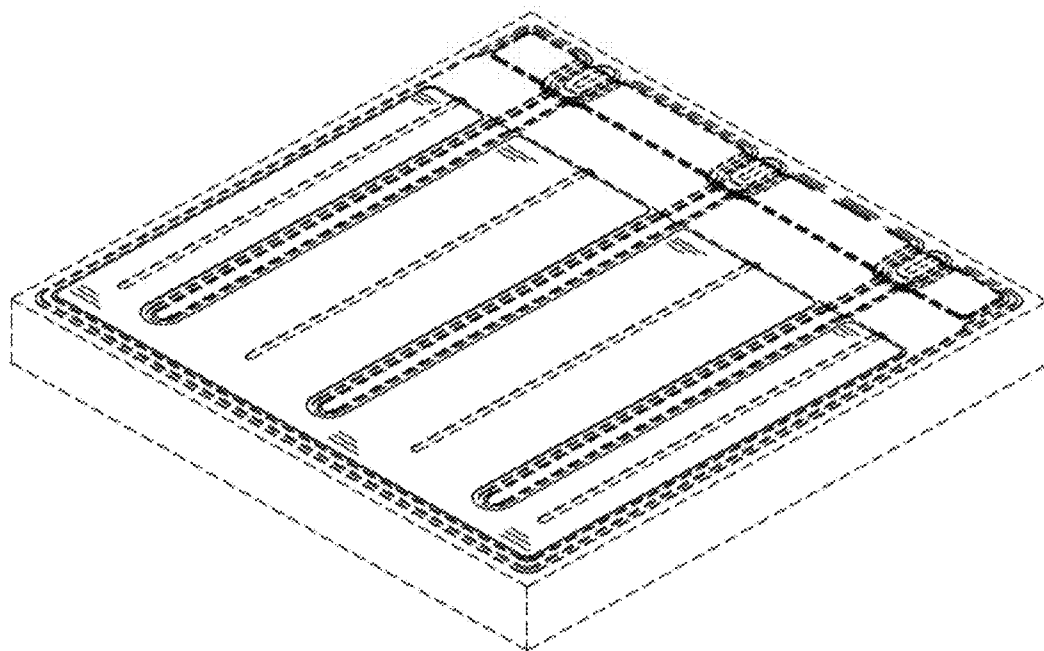


FIG.2

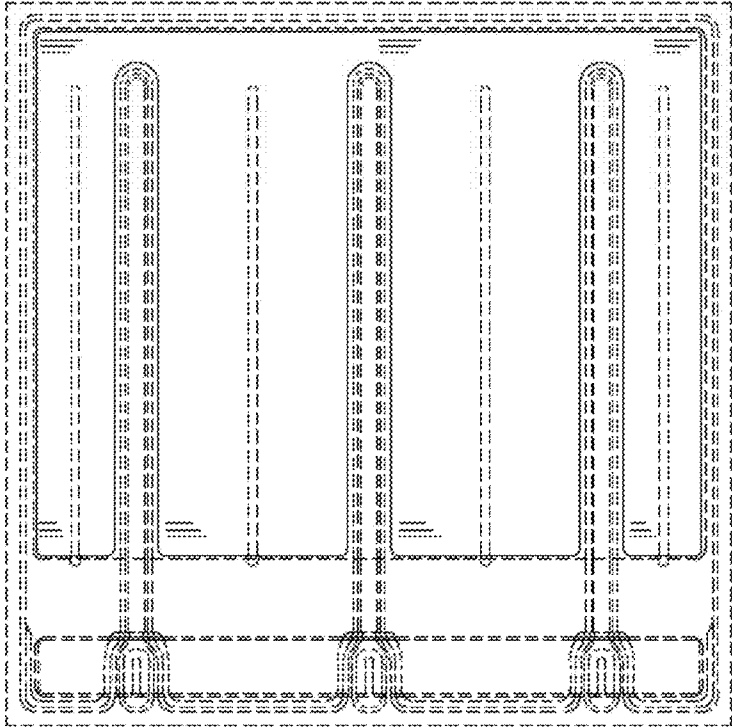


FIG.3

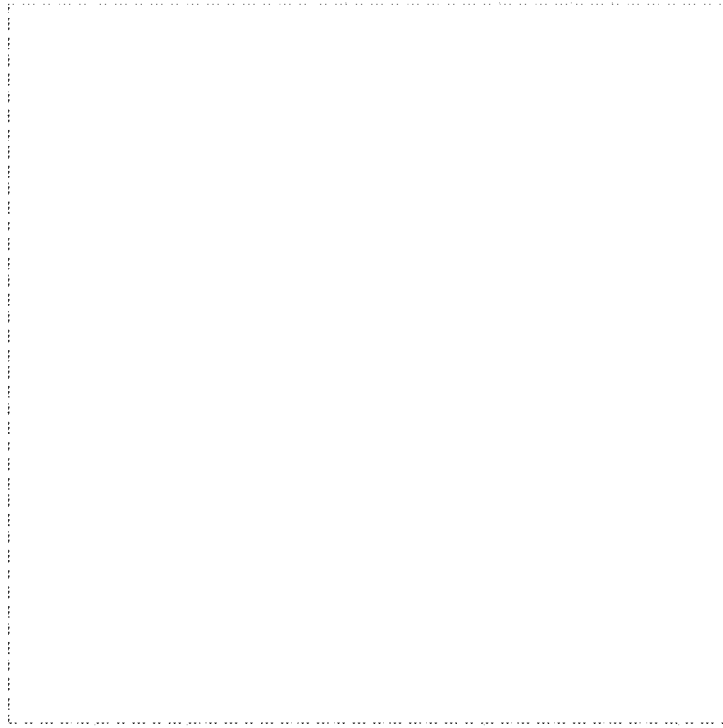


FIG.4



FIG. 5



FIG. 6



FIG. 7



FIG. 8