



US00D654983S

(12) **United States Design Patent**  
**Schoenherr et al.**

(10) **Patent No.:** **US D654,983 S**

(45) **Date of Patent:** **\*\* Feb. 28, 2012**

(54) **HANDHELD SHOWER**

(75) Inventors: **Tom Schoenherr**, Stuttgart (DE);  
**Matthias Oesterle**, Winterbach (DE)

(73) Assignee: **Hansgrohe AG**, Schiltach (DE)

(\*\*) Term: **14 Years**

(21) Appl. No.: **29/398,152**

(22) Filed: **Jul. 27, 2011**

(30) **Foreign Application Priority Data**

Jan. 28, 2011 (EM) ..... 001256937-0002

(51) **LOC (9) Cl.** ..... **23-01**

(52) **U.S. Cl.** ..... **D23/223**

(58) **Field of Classification Search** ..... D23/213,  
D23/223, 229, 230; 239/462, 394; 4/615  
See application file for complete search history.

(56) **References Cited**

**U.S. PATENT DOCUMENTS**

D424,161 S	5/2000	Haug et al.	
D428,110 S	7/2000	Haug et al.	
D495,028 S *	8/2004	Jorgensen et al.	D23/223
D508,974 S *	8/2005	Lin	D23/223
D513,784 S *	1/2006	Tsang	D23/223
D519,187 S *	4/2006	Tse	D23/223

D527,072 S *	8/2006	Wu	D23/223
D562,941 S *	2/2008	Pan	D23/223
D591,396 S *	4/2009	Lobermeier	D23/223
D591,828 S *	5/2009	Lobermeier	D23/223
D610,231 S *	2/2010	Wu et al.	D23/223
D619,213 S *	7/2010	Lee	D23/223
D619,214 S *	7/2010	Lee	D23/223

\* cited by examiner

*Primary Examiner* — Robin V Webster

(74) *Attorney, Agent, or Firm* — Nirav D. Parikh; Lora J. Graentzdoerffer; Edgar A. Zarins

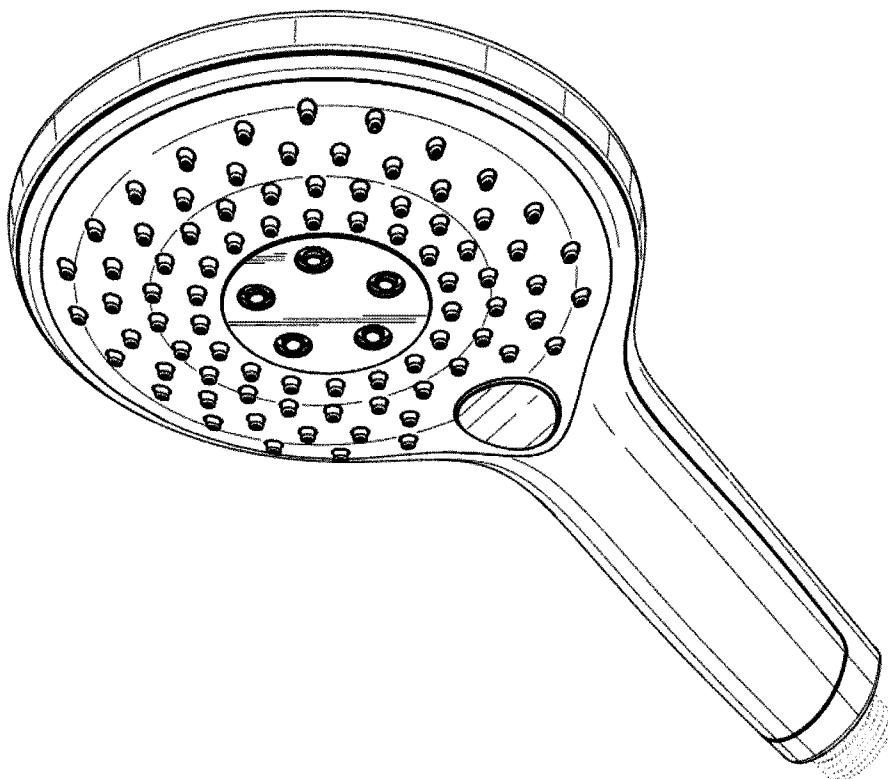
(57) **CLAIM**

The ornamental design for a handheld shower, as shown and described.

**DESCRIPTION**

FIG. 1 is a perspective view of a handheld shower showing our design;  
FIG. 2 is a front elevational view thereof;  
FIG. 3 is a rear elevational view thereof;  
FIG. 4 is a left side elevational view thereof; the right side elevational view being a mirror image thereof;  
FIG. 5 is a top plan view thereof; and,  
FIG. 6 is a bottom plan view thereof.  
The broken lines in the drawings represent unclaimed portions of the design and form no part of the claimed design.

**1 Claim, 6 Drawing Sheets**



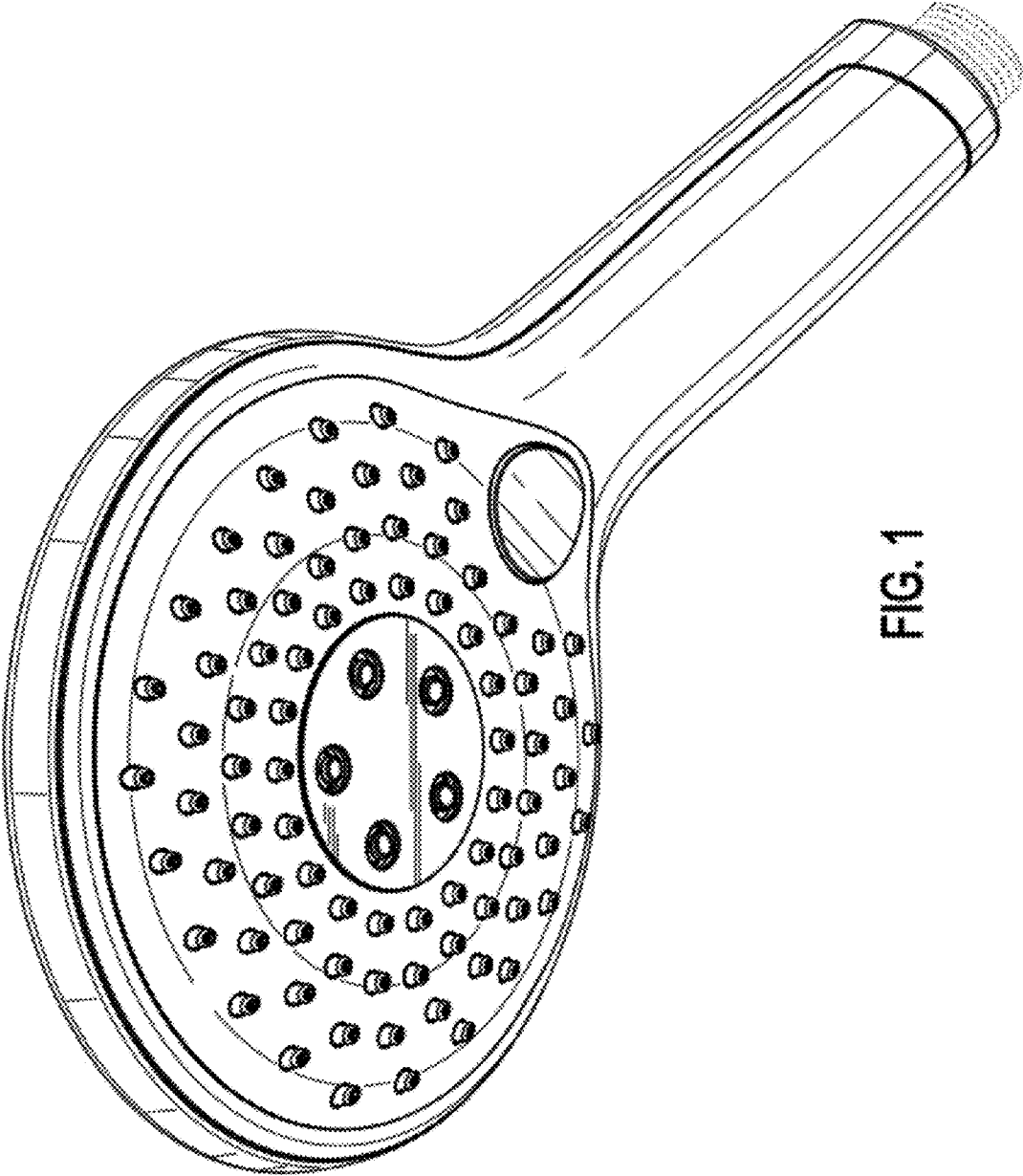


FIG. 1

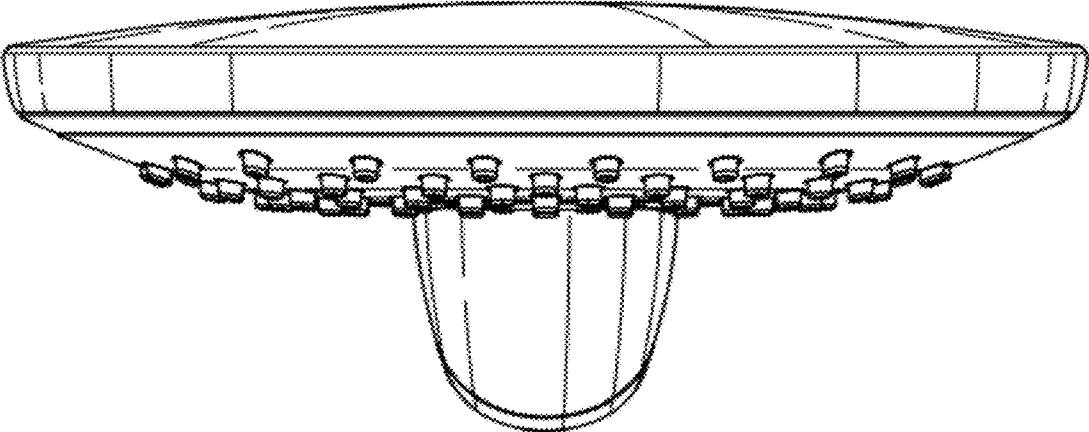


FIG. 2

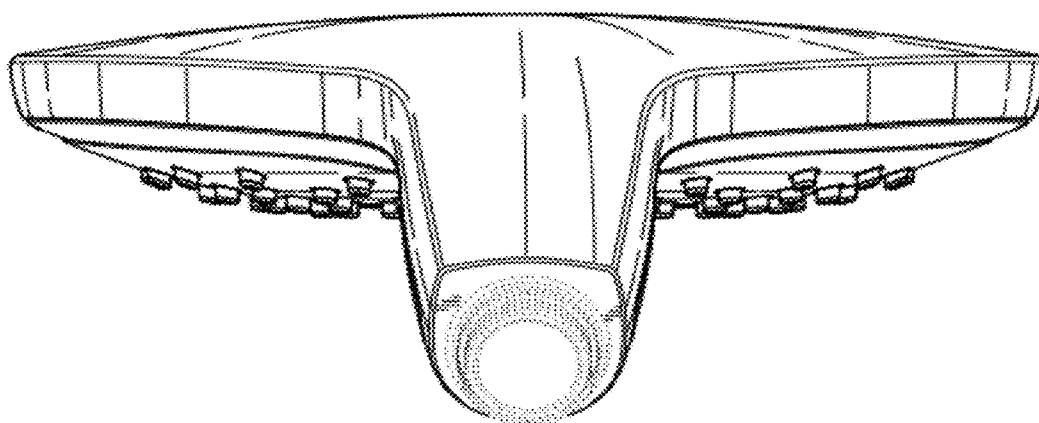


FIG. 3

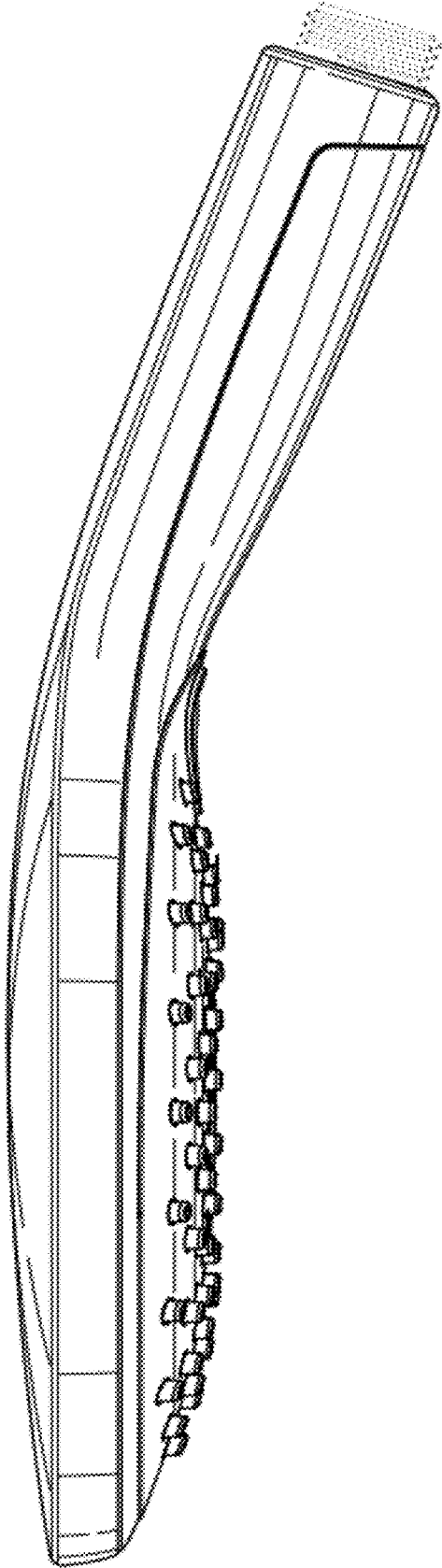


FIG. 4

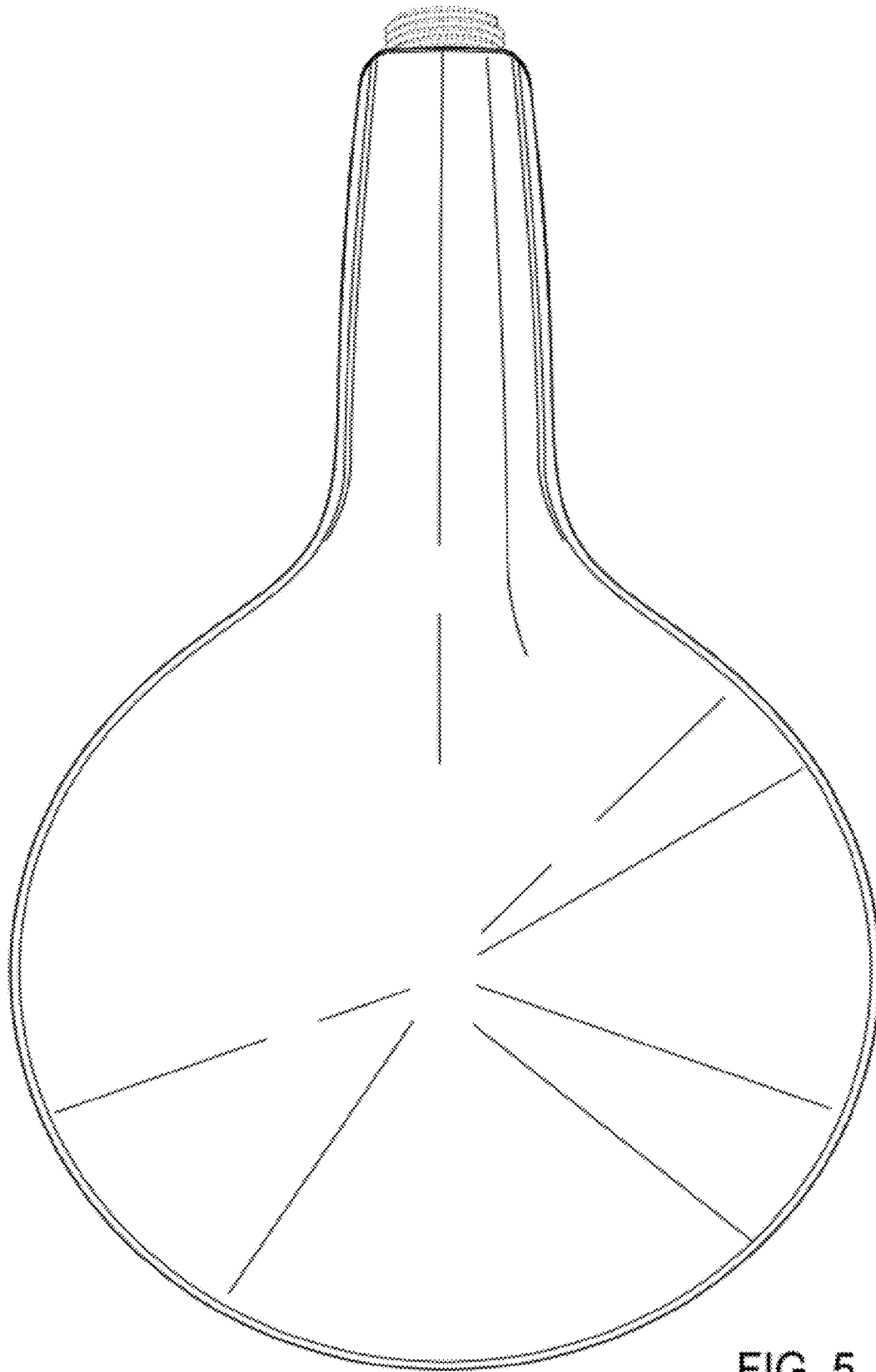


FIG. 5

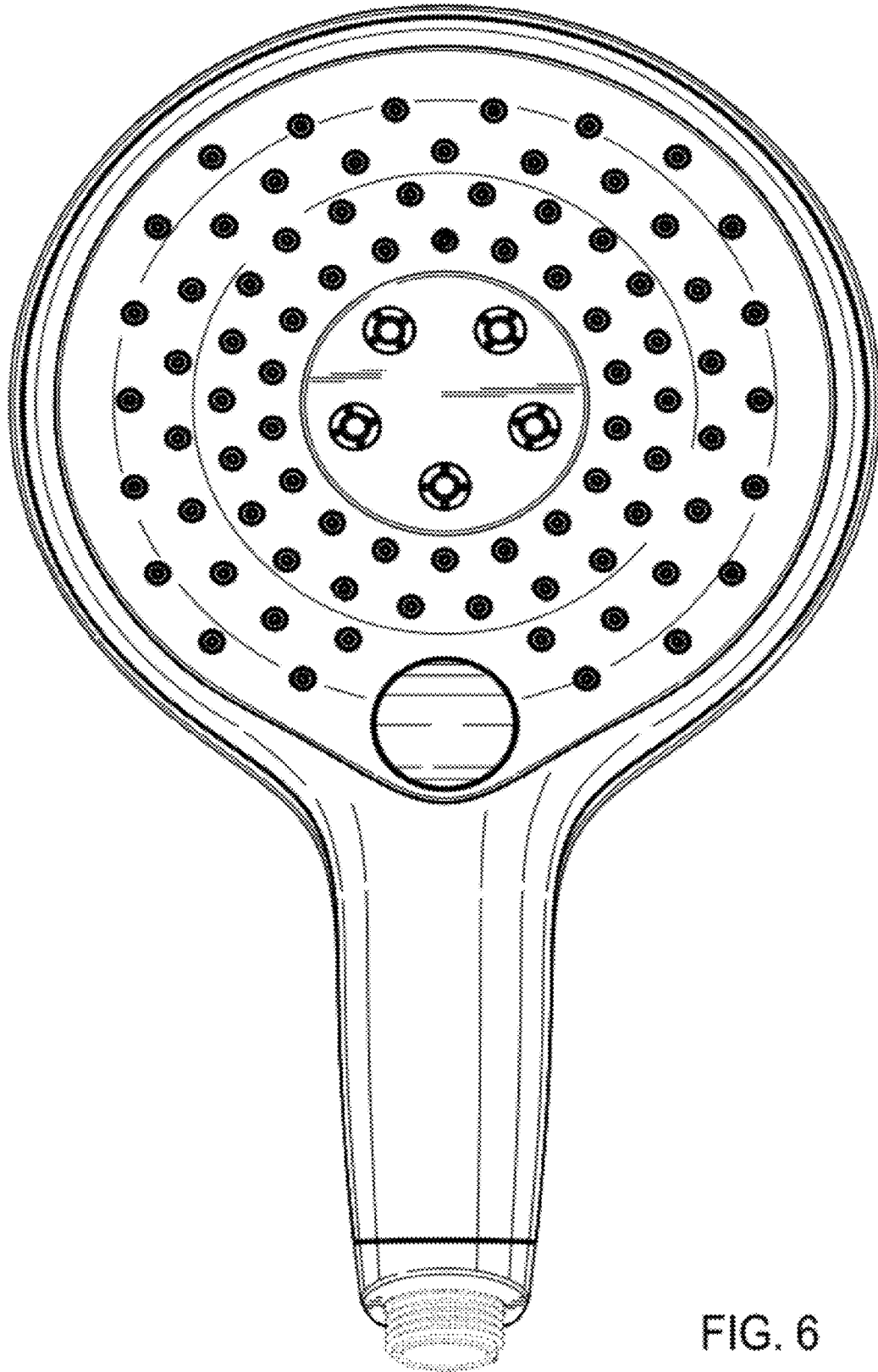


FIG. 6