



US00D836229S

(12) **United States Design Patent**
Jeon

(10) **Patent No.:** **US D836,229 S**

(45) **Date of Patent:** **** Dec. 18, 2018**

(54) **PORTABLE LAMP**

(71) Applicant: **Ki Ho Jeon**, Gyeonggi-Do (KR)

(72) Inventor: **Ki Ho Jeon**, Dongducheon-si (KR)

(**) Term: **15 Years**

(21) Appl. No.: **35/503,104**

(22) Filed: **Sep. 7, 2016**

(80) **Hague Agreement Data**

Int. Filing Date: **Sep. 7, 2016**

Int. Reg. No.: **DM/096275**

Int. Reg. Date: **Sep. 7, 2016**

Int. Reg. Pub. Date: **Jun. 9, 2017**

(30) **Foreign Application Priority Data**

Mar. 7, 2016 (KR) 30-2016-0010478

(51) **LOC (11) Cl.** **26-02**

(52) **U.S. Cl.** **D26/44**

USPC **D26/44**

(58) **Field of Classification Search**

USPC D26/37, 38, 39, 41, 44, 46, 48

CPC F21V 21/30; F21V 17/107

See application file for complete search history.

(56) **References Cited**

U.S. PATENT DOCUMENTS

D279,415 S * 6/1985 Osrow D26/38

D294,868 S * 3/1988 Sim D26/38

| | | | | |
|--------------|---------|-----------|-------|---------|
| D410,760 S * | 6/1999 | Yao | | D26/38 |
| D549,379 S * | 8/2007 | Sharrah | | D26/60 |
| D581,566 S * | 11/2008 | Slawson | | D24/135 |
| D590,971 S * | 4/2009 | Spartano | | D26/44 |
| D607,130 S * | 12/2009 | Hiratsuka | | D26/44 |
| D711,028 S * | 8/2014 | Pritchett | | D26/37 |
| D737,487 S * | 8/2015 | Beckett | | D26/38 |
| D767,184 S * | 9/2016 | Fitch | | D26/44 |
| D782,716 S * | 3/2017 | McLennan | | D26/37 |
| D790,099 S * | 6/2017 | Pius | | D26/46 |

* cited by examiner

Primary Examiner — Robert M. Spear

(74) *Attorney, Agent, or Firm* — Rabin & Berdo, P.C.

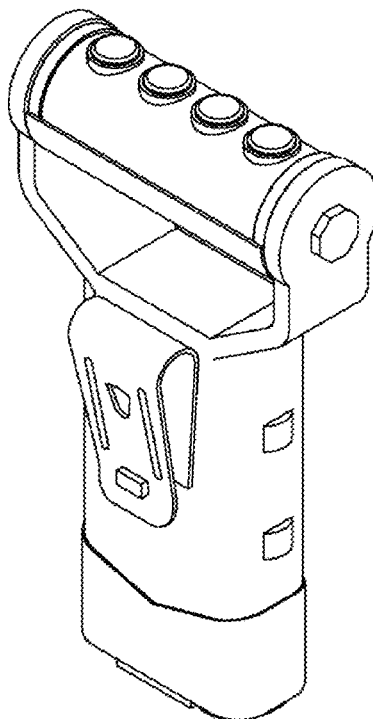
(57) **CLAIM**

The ornamental design for a portable lamp, as shown and described.

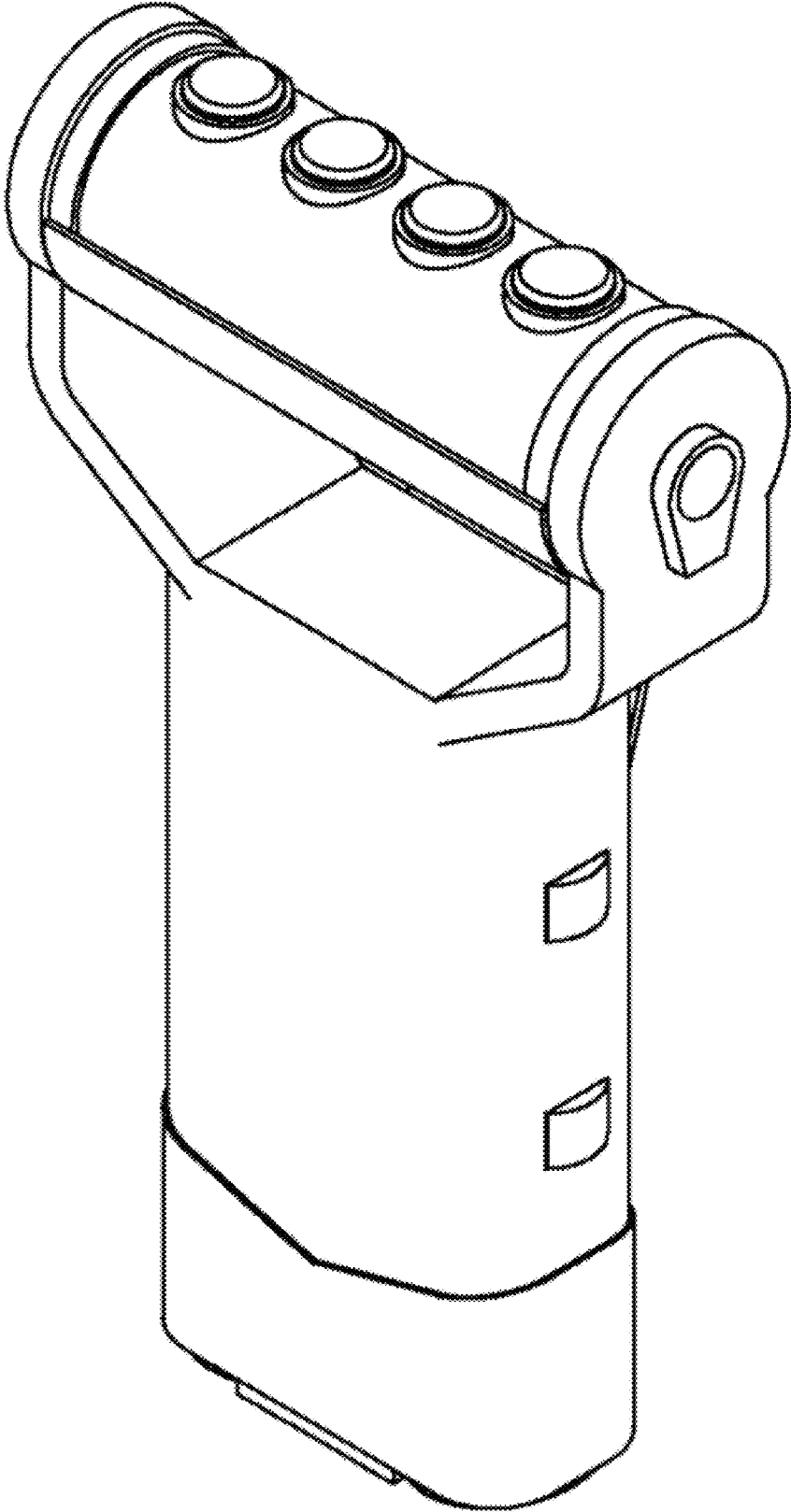
DESCRIPTION

- 1. Portable lamp
- 1.1 : Perspective
- 1.2 : Front
- 1.3 : Back
- 1.4 : Left
- 1.5 : Right
- 1.6 : Top
- 1.7 : Bottom
- 1.8 : Reference

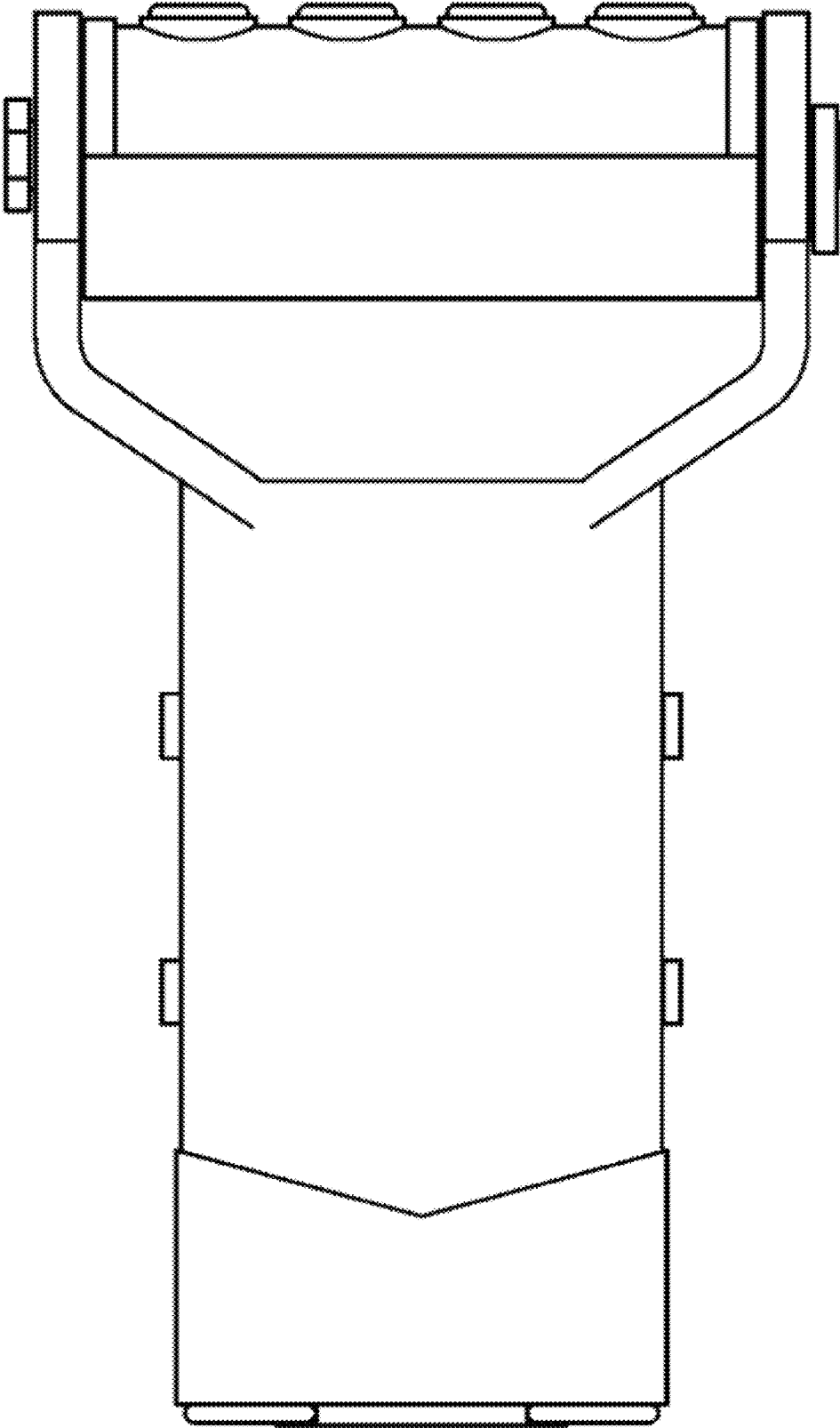
1 Claim, 8 Drawing Sheets



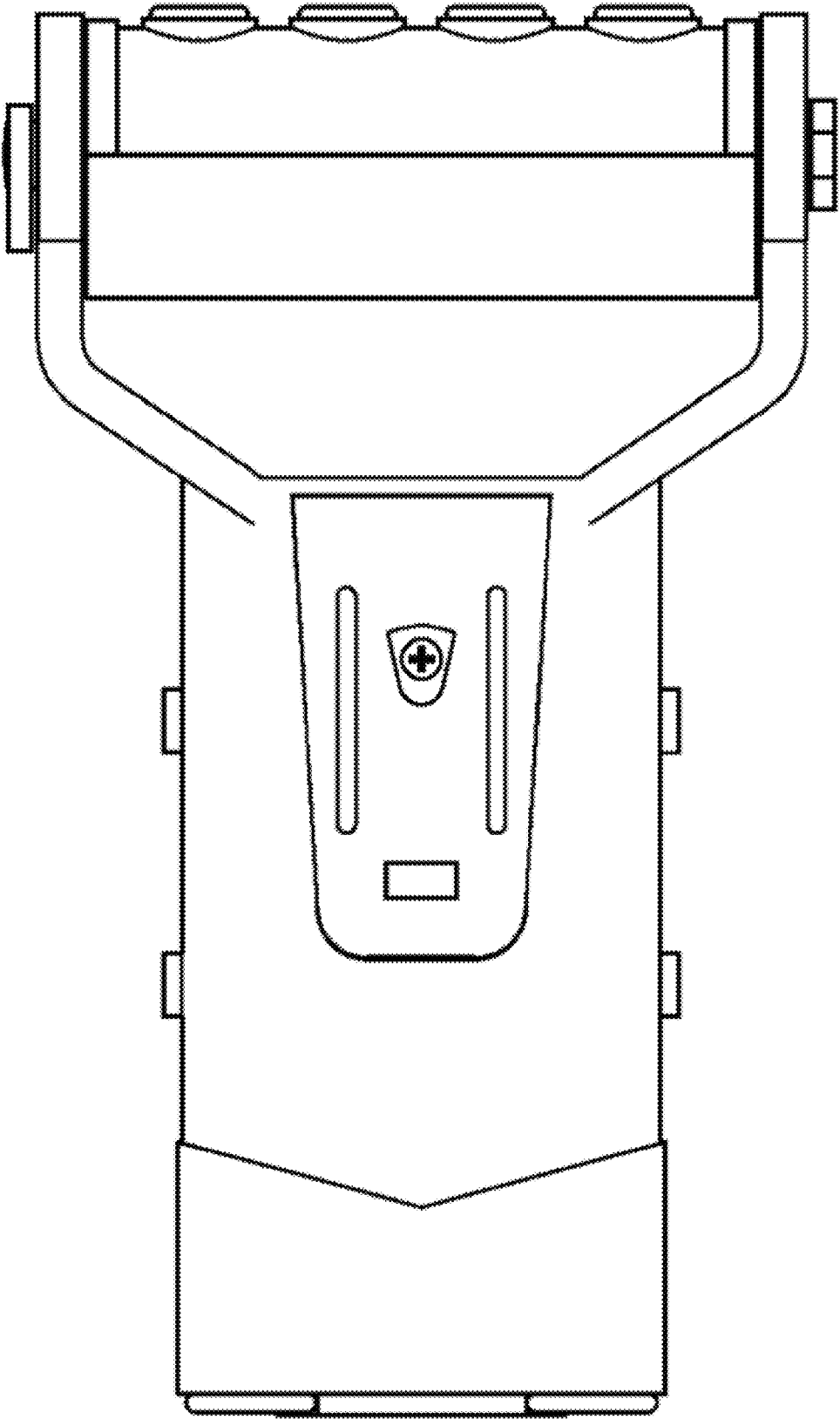
1.1



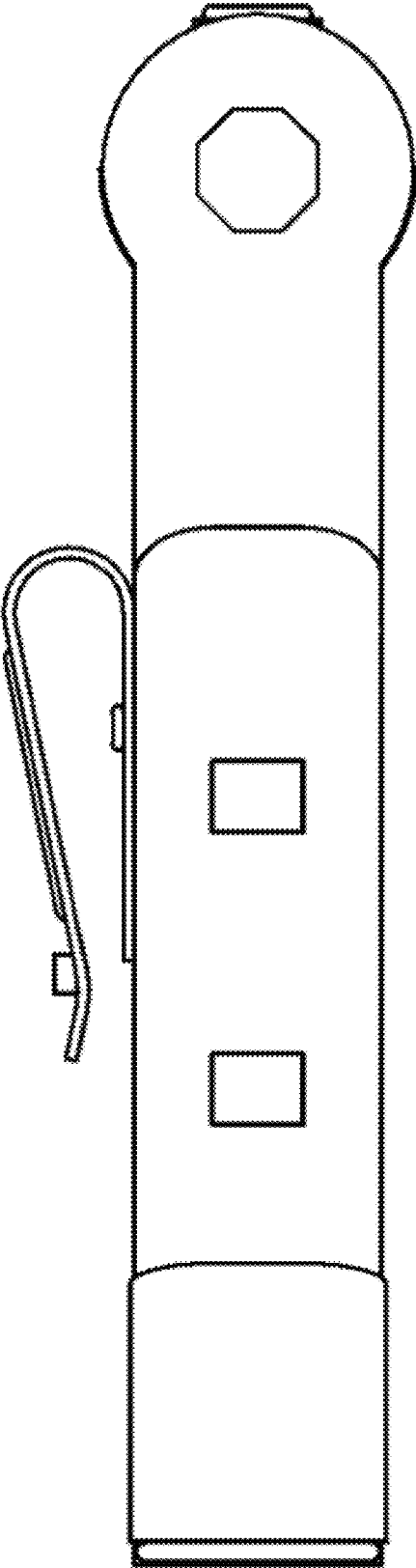
1.2



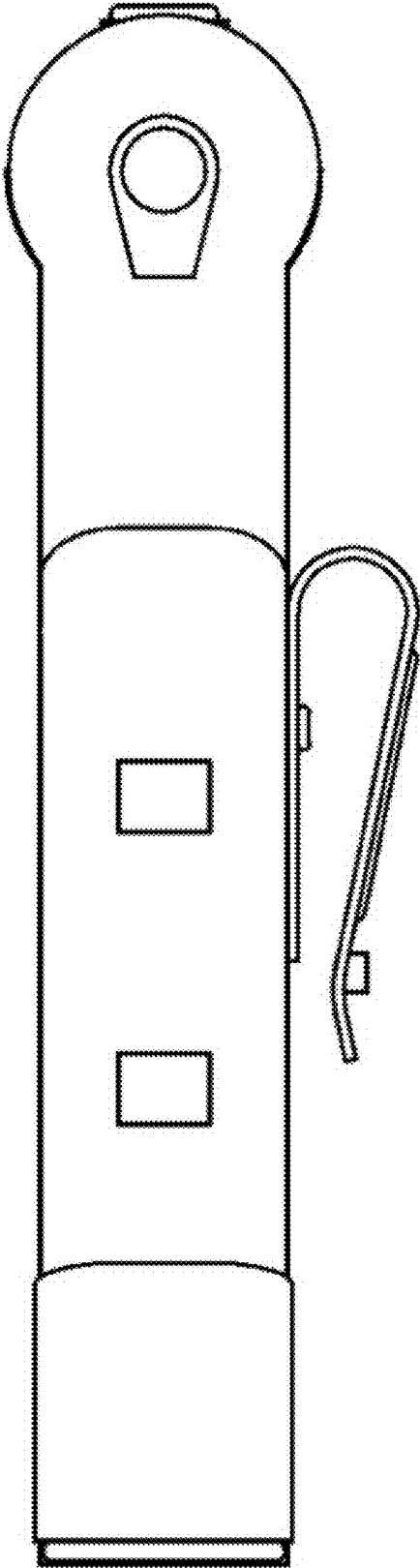
1.3



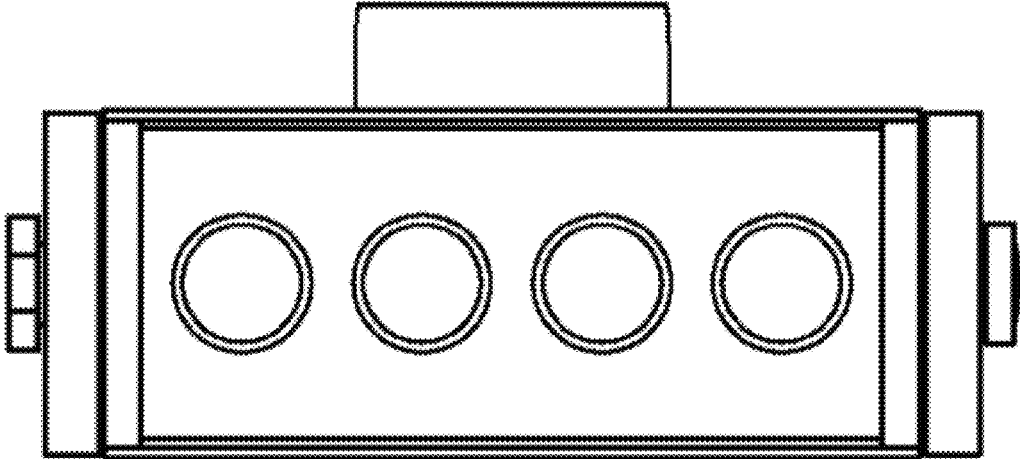
1.4



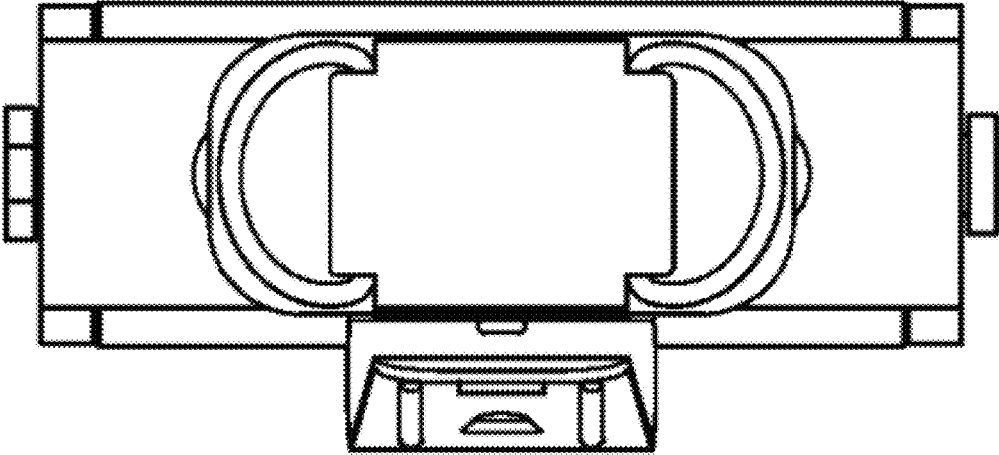
1.5



1.6



1.7



1.8

