



US00D973550S

(12) **United States Design Patent**  
**Liu**

(10) **Patent No.:** **US D973,550 S**

(45) **Date of Patent:** **\*\* Dec. 27, 2022**

(54) **ELECTRIC BICYCLE**  
(71) Applicant: **Shenzhen happyrun Intelligent Technology Co., Ltd., Shenzhen (CN)**  
(72) Inventor: **Jun Liu, Jingzhou (CN)**  
(73) Assignee: **Shenzhen happyrun Intelligent Technology Co., Ltd., Shenzhen (CN)**  
(\*\*) Term: **15 Years**

D920,169 S \* 5/2021 Li ..... D12/111  
D924,102 S \* 7/2021 Avery ..... D12/111  
D925,406 S \* 7/2021 Lin ..... D12/111  
D928,668 S \* 8/2021 Li ..... D12/111  
D933,538 S \* 10/2021 Chen ..... D12/111  
D934,120 S \* 10/2021 Zhu ..... D12/111  
D948,384 S \* 4/2022 Cai ..... D12/111  
D960,052 S 8/2022 Chen  
D960,054 S \* 8/2022 Yang ..... D12/111  
D960,769 S \* 8/2022 Chen ..... D12/111  
2013/0001000 A1\* 1/2013 Krieger ..... B62M 6/45  
180/206.3  
2014/0076650 A1\* 3/2014 Kim ..... B62K 3/10  
180/220

(21) Appl. No.: **29/851,203**

(Continued)

(22) Filed: **Aug. 26, 2022**

(51) **LOC (13) Cl.** ..... **12-11**

(52) **U.S. Cl.**  
USPC ..... **D12/111**

(58) **Field of Classification Search**  
USPC ..... D12/111, 117; D21/412, 414, 419,  
D21/423-428, 431-435  
CPC ..... B62K 3/00; B62K 3/02; B62K 3/06  
See application file for complete search history.

OTHER PUBLICATIONS

Happyrun. "HR G50." YouTube., Nov. 1, 2022 [online], [retrieved on Nov. 2, 2022]. Retrieved from the Internet <URL: <https://www.youtube.com/watch?v=pQb1SIF9STc>>.\*

(Continued)

*Primary Examiner* — Darlington Ly  
(74) *Attorney, Agent, or Firm* — Nitin Kaushik

(56) **References Cited**

U.S. PATENT DOCUMENTS

D586,265 S \* 2/2009 Lin ..... D12/111  
D643,785 S \* 8/2011 Kyu ..... D12/111  
D650,724 S \* 12/2011 Chiang ..... D21/432  
D654,403 S \* 2/2012 Kyu ..... D12/111  
D659,597 S \* 5/2012 Chen ..... B62K 9/00  
D21/432  
D672,690 S \* 12/2012 Augustin ..... D12/111  
D685,683 S \* 7/2013 Shaw ..... D12/111  
D780,637 S \* 3/2017 Shao ..... D12/111  
D784,206 S \* 4/2017 Zhang ..... D12/111  
D807,232 S \* 1/2018 Bailie ..... D21/432  
D833,333 S \* 11/2018 Yu ..... D12/111  
D843,269 S \* 3/2019 Shi ..... D12/111  
D914,548 S \* 3/2021 Chen ..... D12/111  
D914,549 S \* 3/2021 Chen ..... D12/111  
D917,349 S \* 4/2021 Fan ..... D12/111

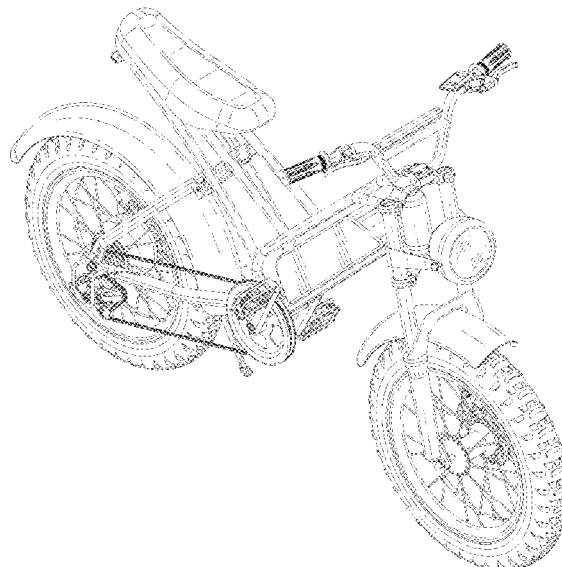
(57) **CLAIM**

The ornamental design for are electric bicycle, as shown and described.

**DESCRIPTION**

FIG. 1 is a front perspective view of an electric bicycle embodying my new design;  
FIG. 2 is a front elevation view thereof;  
FIG. 3 is a rear elevation view thereof;  
FIG. 4 is a right side elevation view thereof;  
FIG. 5 is a left side elevation view thereof;  
FIG. 6 is a top plan view thereof;  
FIG. 7 is a bottom plan view thereof; and,  
FIG. 8 is a rear perspective view thereof.

**1 Claim, 8 Drawing Sheets**



(56)

**References Cited**

## U.S. PATENT DOCUMENTS

2014/0076652 A1\* 3/2014 Kim ..... B62K 15/006  
180/220  
2016/0075400 A1\* 3/2016 Ragland ..... B62K 9/00  
29/401.1  
2022/0194519 A1\* 6/2022 Denysenko ..... B62J 43/13

## OTHER PUBLICATIONS

Gogobest. "Niubility B14 E-Bike Electric Bicycle 15Ah 48V 400W 14 Inches Folding Moped Bicycle 25km/h Top Speed." YouTube., Oct. 24, 2020 [online], [retrieved on Nov. 2, 2022]. Retrieved from the Internet <URL: [https://www.youtube.com/watch?v=oEUORg\\_2PU8](https://www.youtube.com/watch?v=oEUORg_2PU8)>.\*

BK42. "Dohiker Y1 Review—\$479 Cheap Folding Ebike—Small Electric Bicycle for Adults." YouTube., Feb. 27, 2021 [online], [retrieved on Nov. 2, 2022]. Retrieved from the Internet <URL: <https://www.youtube.com/watch?v=S3Dq4W25jRA>>.\*

Josh Cordova. "Gyroor C3 E-Bike Full Review." YouTube., May 2, 2021 [online], [retrieved on Nov. 2, 2022]. Retrieved from the Internet <URL: <https://www.youtube.com/watch?v=jA-H7ZdAxXk>>.\*

\* cited by examiner

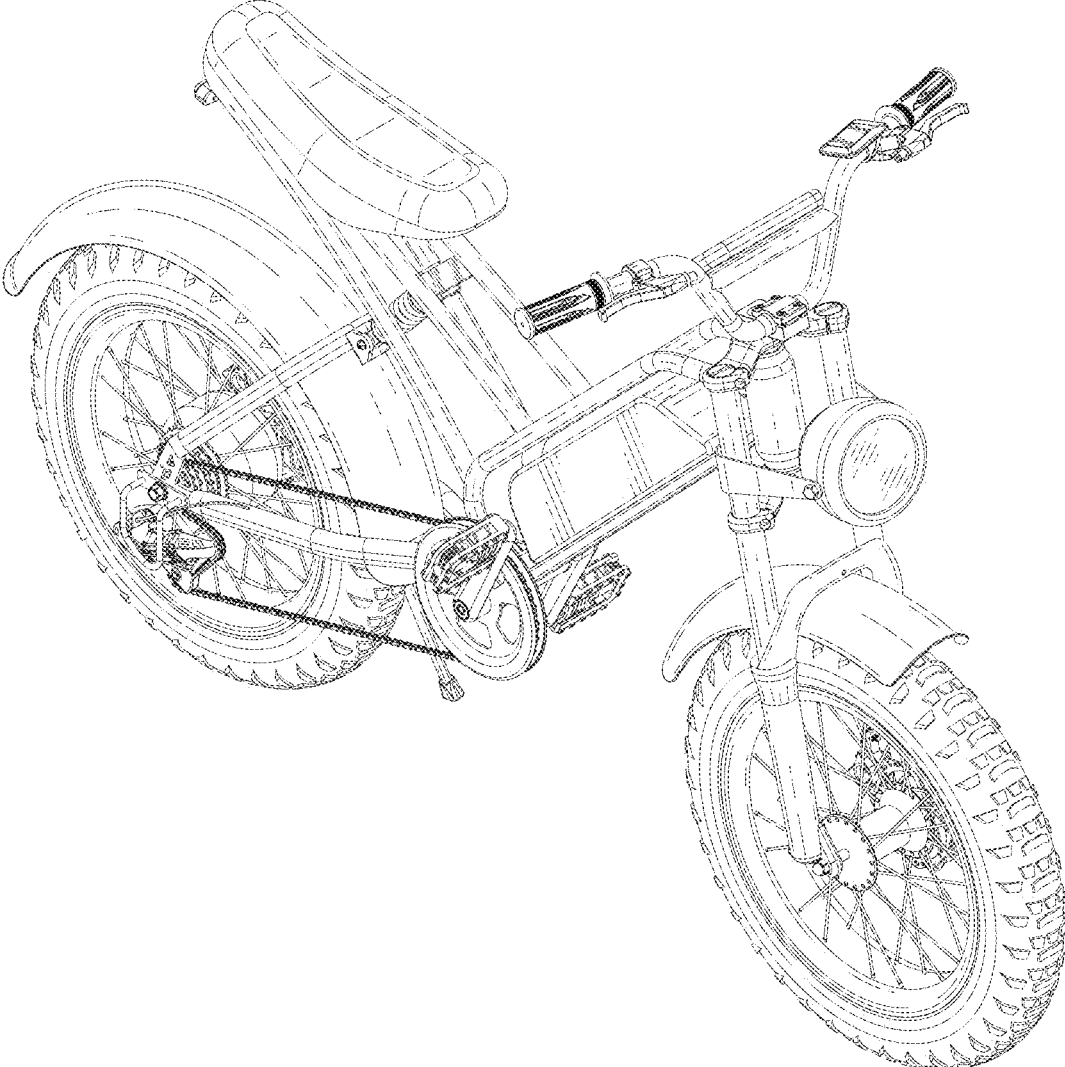


FIG. 1

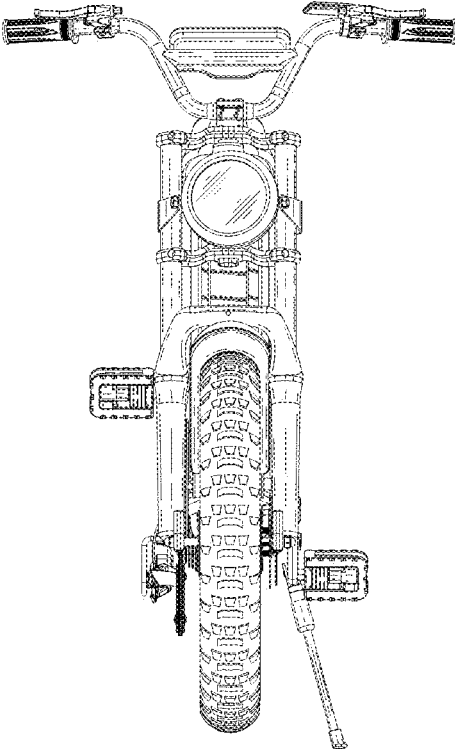


FIG. 2

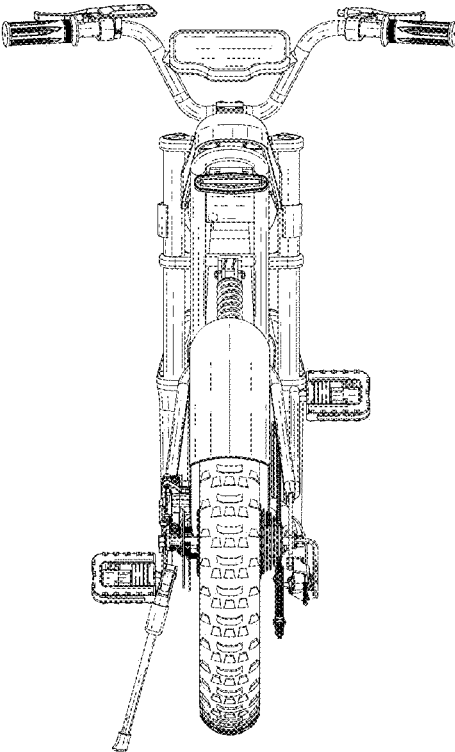


FIG. 3

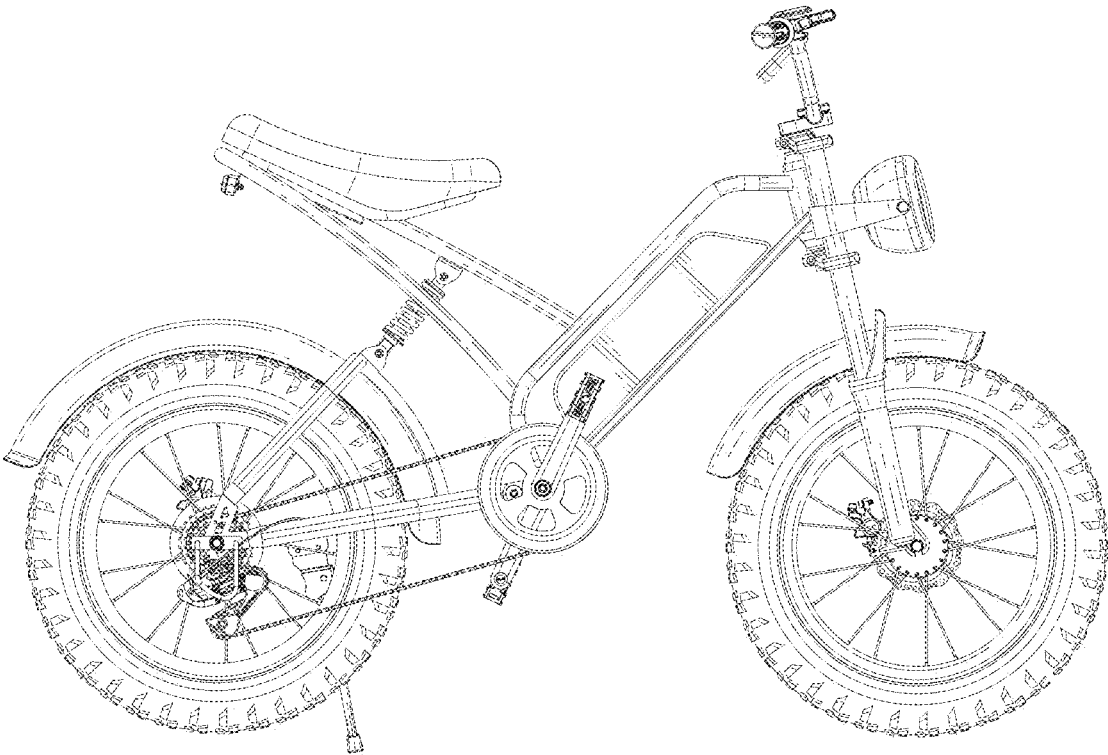


FIG. 4

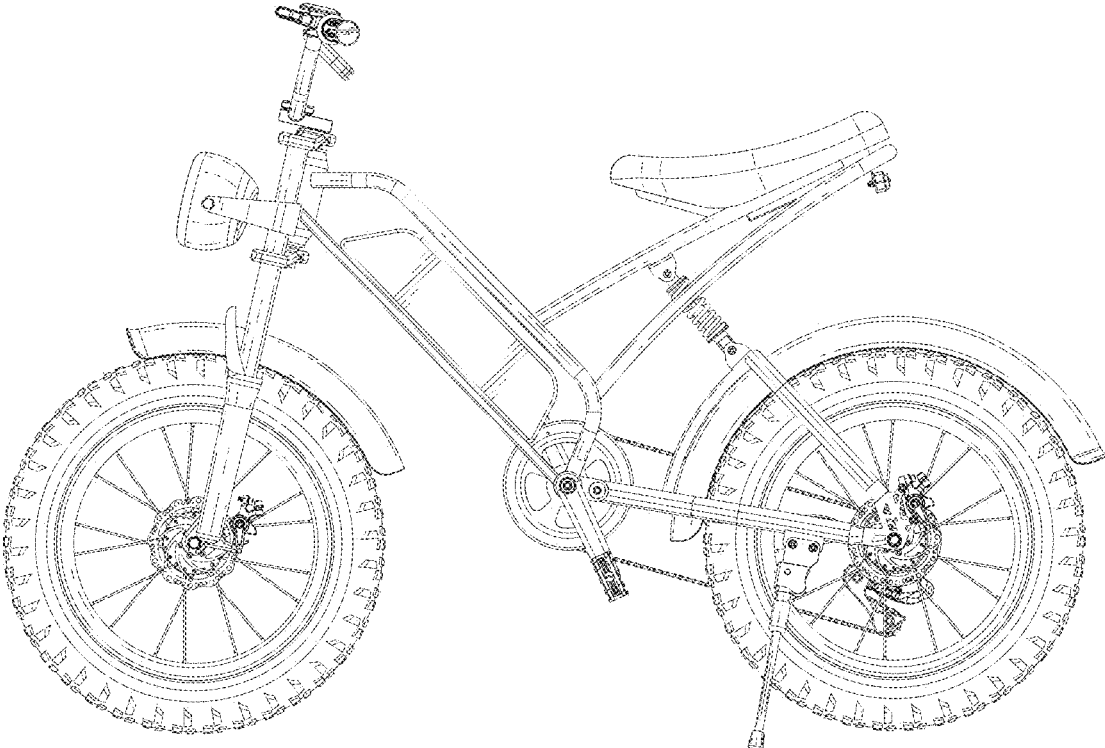


FIG. 5

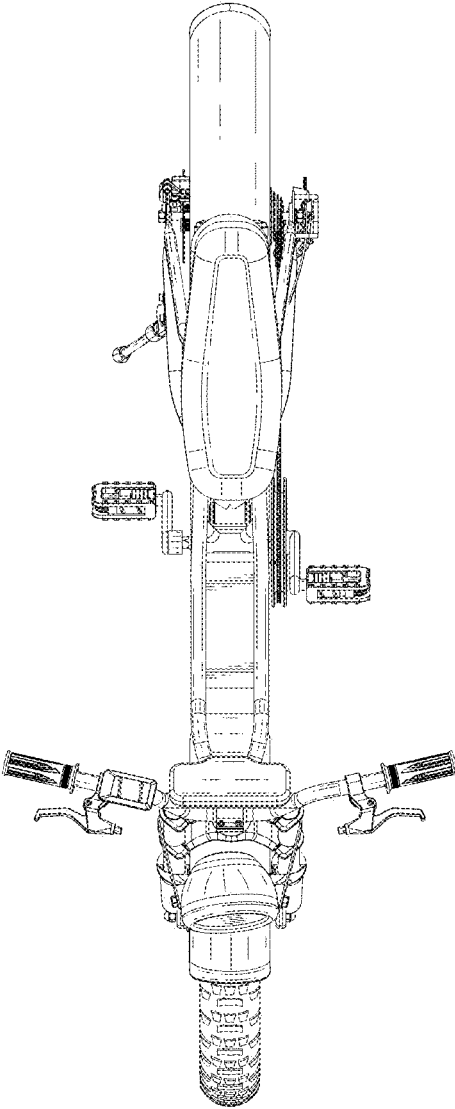


FIG. 6



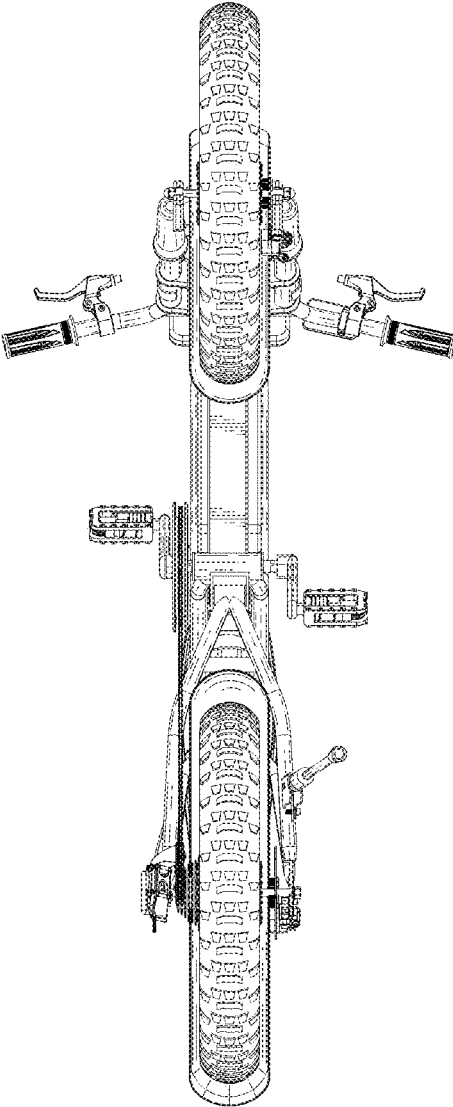


FIG. 7

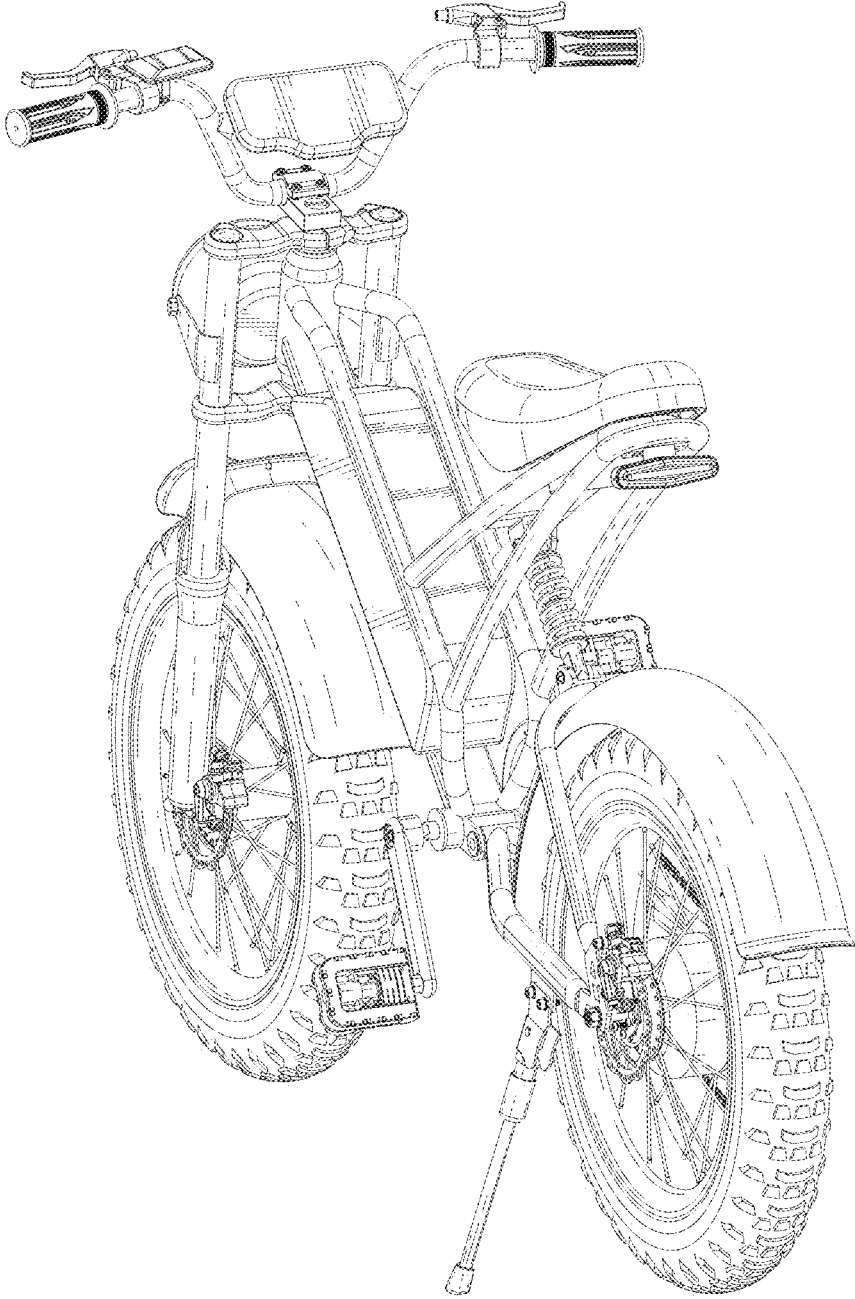


FIG. 8