

(12) **United States Design Patent** (10) **Patent No.:** **US D881,601 S**  
**Green et al.** (45) **Date of Patent:** **\*\* \*Apr. 21, 2020**

(54) **SHOE MAT**

(71) Applicant: **Umbra LLC**, Buffalo, NY (US)

(72) Inventors: **David Green**, Toronto (CA); **Eugenie De Loynes**, Toronto (CA)

(73) Assignee: **Umbra LLC**, Buffalo, NY (US)

(\* ) Notice: This patent is subject to a terminal disclaimer.

(\*\*) Term: **15 Years**

(21) Appl. No.: **29/641,167**

(22) Filed: **Mar. 20, 2018**

(51) **LOC (12) Cl.** ..... **06-11**

(52) **U.S. Cl.**  
 USPC ..... **D6/582**

(58) **Field of Classification Search**  
 USPC ..... D6/582–585, 587–589, 591, 592;  
 D21/662, 792; D12/203; D32/46, 47, 57  
 CPC ..... A47G 23/0303; A47G 27/0206; A47G  
 27/0212; A47G 27/0218; A47G 27/0225;  
 A47G 27/0237; A47G 9/06; A47G 9/062;  
 A47L 23/20; A47L 23/24; A47L 23/26;  
 A47L 23/266; A63B 21/4037; A63B 6/00;  
 A63B 21/00; A47K 3/002  
 See application file for complete search history.

(56) **References Cited**

U.S. PATENT DOCUMENTS

232,408 A \* 9/1880 Lilly ..... A47L 23/26  
 15/216

345,291 A \* 7/1886 Fein ..... A47L 23/26  
 15/216

477,545 A \* 6/1892 Howell ..... A47L 23/24  
 15/238

1,830,455 A \* 11/1931 Zmel ..... A47L 23/26  
 15/112

4,393,104 A \* 7/1983 Fink ..... A47G 23/0303  
 428/187

4,621,003 A \* 11/1986 O’Kane ..... B32B 3/06  
 428/71

D436,784 S \* 1/2001 Iacovelli ..... A47G 23/0303  
 D12/203

D468,501 S \* 1/2003 Fernando ..... D32/47

D556,260 S \* 11/2007 Starr ..... D19/59

D641,936 S \* 7/2011 Simpson ..... D30/118

D685,544 S \* 7/2013 Clarke ..... D32/40

(Continued)

**OTHER PUBLICATIONS**

“Shoe Dry” by Umbra. Amazon.com Feb. 20, 2018. <<https://www.amazon.com/Umbra-Multipurpose-Machine-Washable-Drying-Holds-Charcoal/dp/B078G1JLSL>>. Accessed on Nov. 16, 2018. (Year: 2018).\*

*Primary Examiner* — Kevin K Rudzinski  
*Assistant Examiner* — Clare Ann Gannon  
 (74) *Attorney, Agent, or Firm* — Simpson & Simpson, PLLC

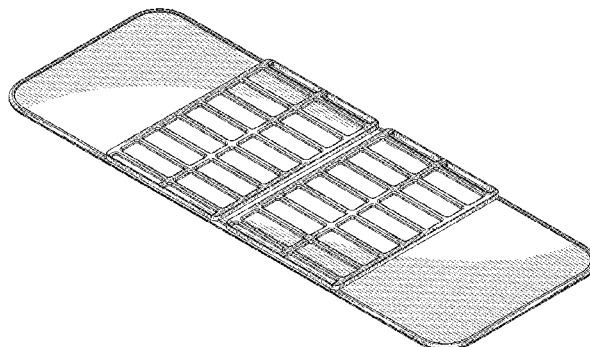
(57) **CLAIM**

The ornamental design for a shoe mat, as shown and described.

**DESCRIPTION**

FIG. 1 is a front perspective view of the shoe mat, showing the new design;  
 FIG. 2 is a front elevational view thereof;  
 FIG. 3 is a right side elevational view thereof;  
 FIG. 4 is a back elevational view thereof;  
 FIG. 5 is a left side elevational view thereof;  
 FIG. 6 is a top plan view thereof;  
 FIG. 7 is a bottom plan view thereof;  
 FIG. 8 is a front perspective view thereof, shown in an alternate configuration; and,  
 FIG. 9 is a front perspective view thereof, shown in an alternate configuration.  
 Broken lines depict portions of the article that form no part of the claimed design.

**1 Claim, 9 Drawing Sheets**



(56)

**References Cited**

U.S. PATENT DOCUMENTS

D773,142 S \* 11/2016 Green ..... A47L 19/00  
D32/55  
D774,719 S \* 12/2016 Green ..... D32/55  
D776,386 S \* 1/2017 Green ..... D32/55  
D781,518 S \* 3/2017 Green ..... D32/55  
D785,105 S \* 4/2017 Armitage ..... D21/686  
2008/0073300 A1\* 3/2008 Abraitis ..... A47B 61/04  
211/36  
2008/0149644 A1\* 6/2008 Piacenza ..... A47L 19/04  
220/572  
2009/0110867 A1\* 4/2009 Feng Shen ..... A63B 6/00  
428/71

\* cited by examiner

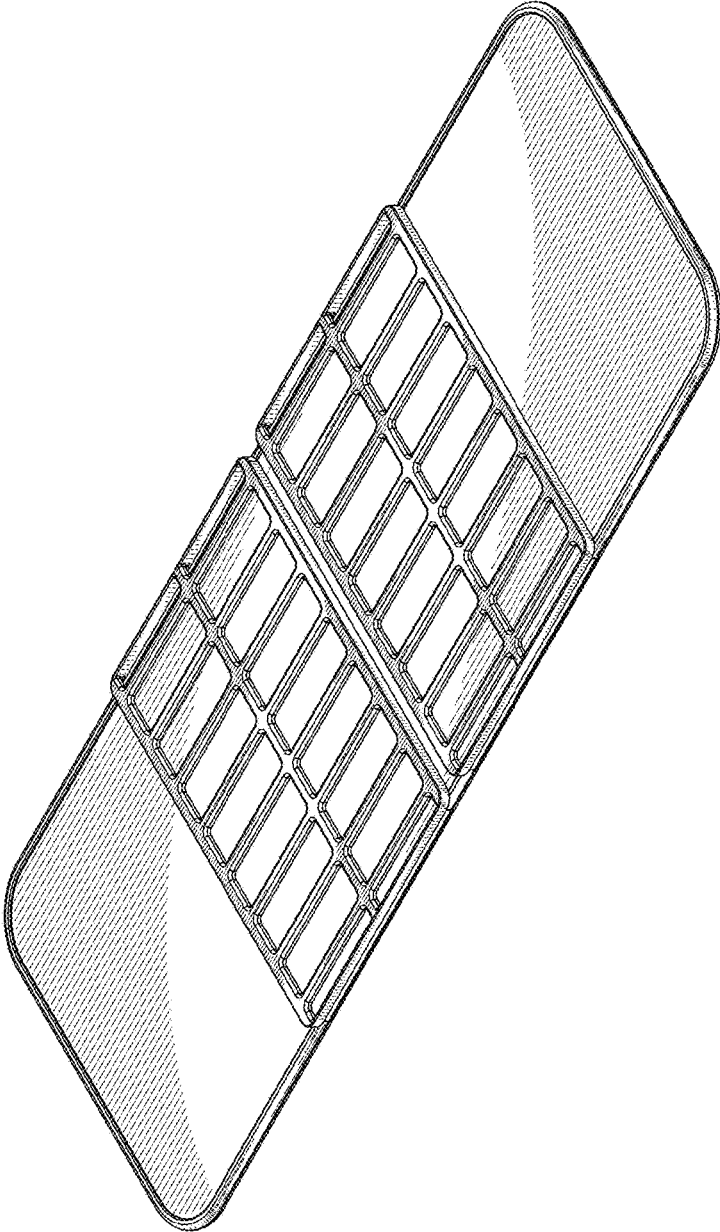


FIG. 1

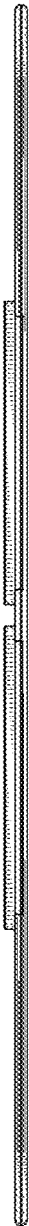


FIG. 2

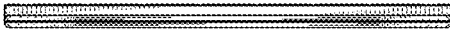


FIG. 3



FIG. 4

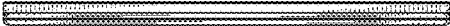


FIG. 5

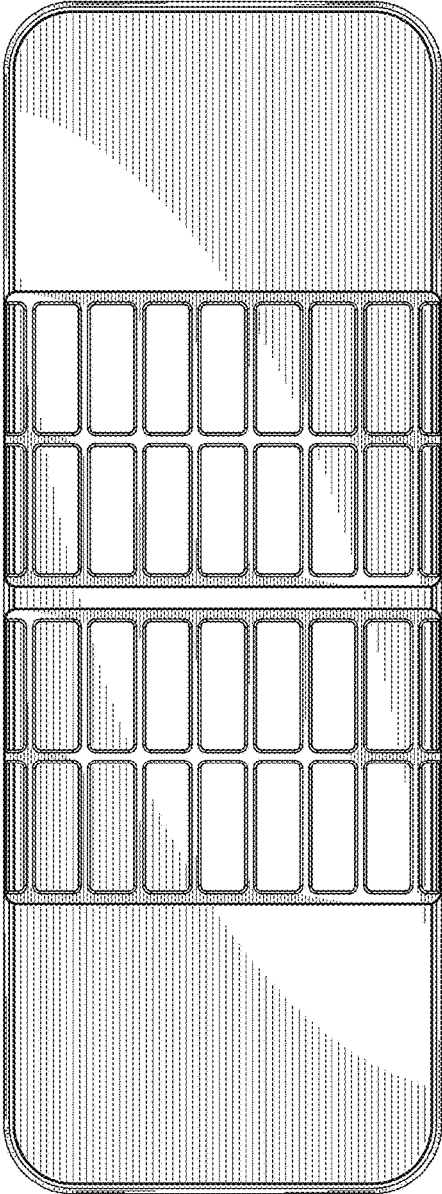


FIG. 6



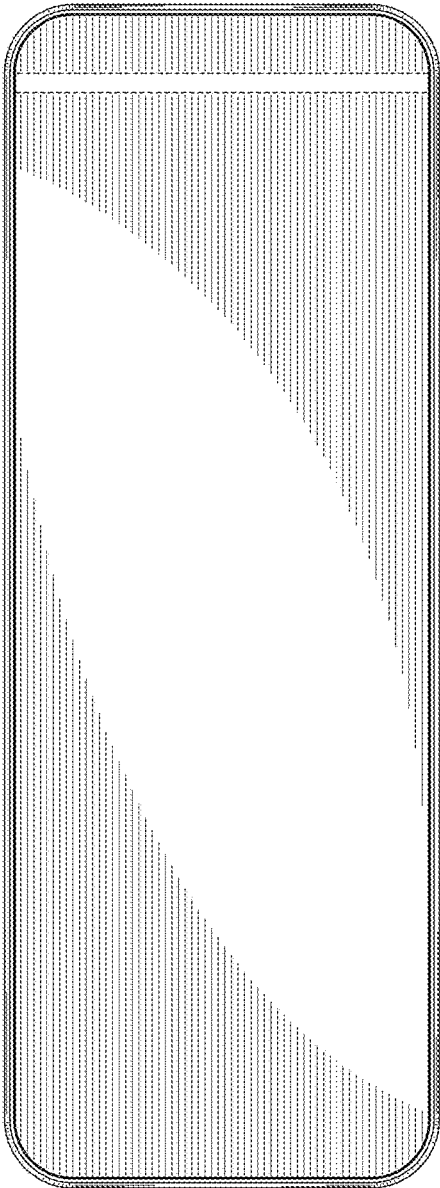


FIG. 7

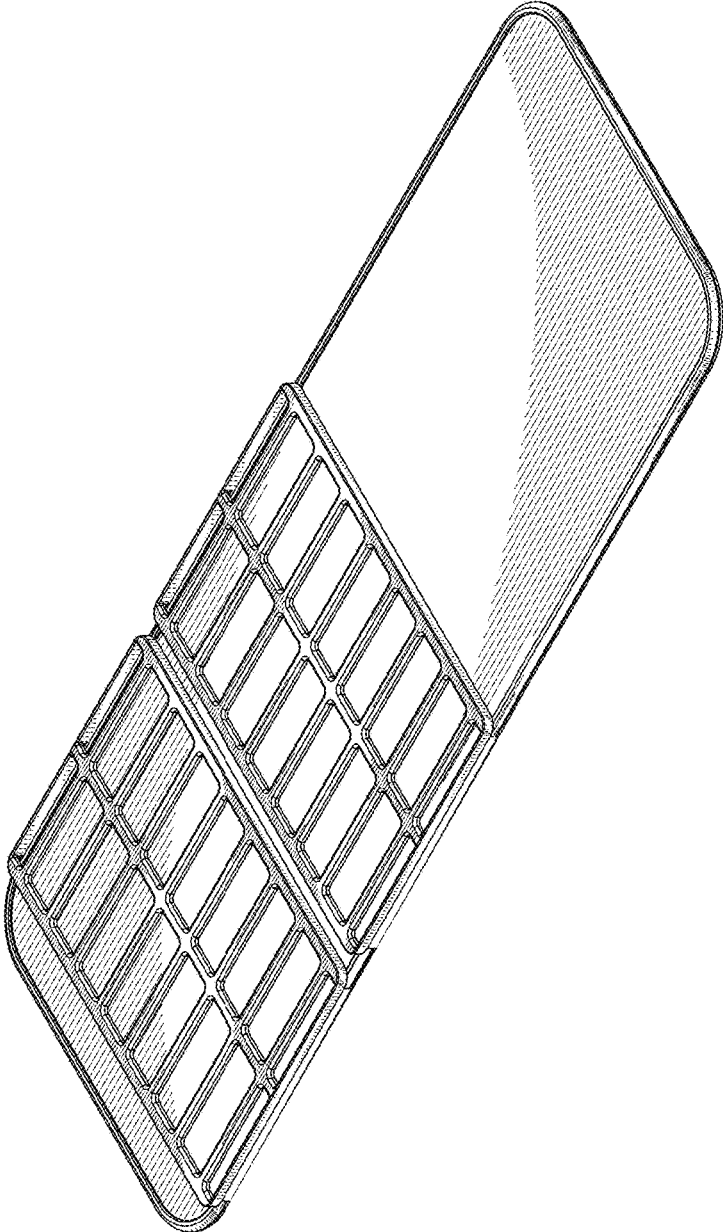


FIG. 8

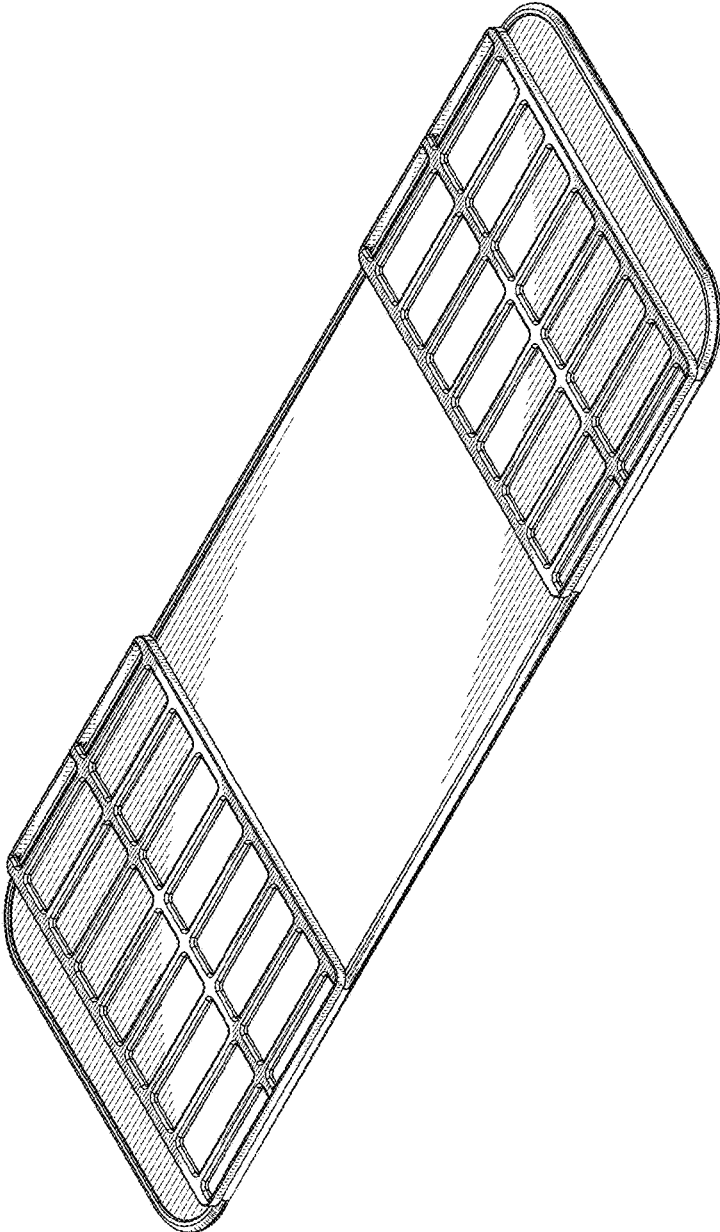


FIG. 9