



(12) **United States Design Patent**
Xue

(10) **Patent No.:** **US D912,910 S**
(45) **Date of Patent:** **** Mar. 9, 2021**

(54) **PET WATER DISPENSER**

(71) Applicant: **Zhiqi Xue**, Dongguan (CN)

(72) Inventor: **Zhiqi Xue**, Dongguan (CN)

(**) Term: **15 Years**

(21) Appl. No.: **29/745,590**

(22) Filed: **Aug. 7, 2020**

(51) **LOC (13) Cl.** **30-03**

(52) **U.S. Cl.**
USPC **D30/132**

(58) **Field of Classification Search**
USPC D30/123, 129, 132, 121; 119/69.5, 673,
119/57.8, 68, 74, 61.57, 78-81, 61.4,
119/57.9, 51.5, 61.5, 72, 475; 47/66.6,
47/39, 67, 83; 239/280, 200, 281, 280.5,
239/273, 16-32, 211, 216, 288.5; 4/644,
4/627, 638; D7/558; D11/144, 145, 153;
D99/5, 24; 27/1; D23/201, 292, 204,
D23/205, 214-216, 221, 222, 228, 229,
D23/233, 200, 212, 213; 248/127, 132,
248/137, 138, 158, 910; 215/10;
D6/353, 352, 484, 360, 480, 488;
219/521; 329/442, 459; 99/452, 483;
40/406, 407; 261/29, 106, 73; 137/560,
137/563, 801; 55/385.2; 417/527, 313;
431/292-294, 289; 362/101; D26/6, 9;
D32/75; D8/1

CPC ... A01K 7/00; A01K 7/02; A01K 7/06; A01K
7/04; A01K 7/005; A01K 7/022; A01K
7/025; A01K 7/027; A01K 5/0216; A01K
39/02; F04B 23/00; F04B 23/02; F04B
23/021; F04B 23/026; B05B 17/08; B05B
17/085; B01D 35/30; Y10T 137/86035;
Y10T 137/8376; Y10T 137/85954-85978

See application file for complete search history.

(56) **References Cited**

U.S. PATENT DOCUMENTS

D126,997 S	5/1941	Bentzen et al.	
D196,777 S *	11/1963	Haynes	D30/132
3,884,383 A *	5/1975	Burch	B65D 1/26
			220/675
4,286,546 A *	9/1981	Moore	A01K 7/005
			119/61.54
D394,827 S *	6/1998	Ruthenberg	D11/155
D412,297 S *	7/1999	Roach	D11/152
D413,156 S *	8/1999	Robinson	D23/201
D443,081 S *	5/2001	Klett	D26/7
6,390,323 B1 *	5/2002	Alticosalian	A01K 5/0128
			220/495.03
6,526,916 B1 *	3/2003	Perlsweig	A01K 7/06
			119/74
7,270,082 B2 *	9/2007	Plante	A01K 7/02
			119/74
D576,249 S *	9/2008	Camacho	D23/201
D584,430 S *	1/2009	Furner	D26/9
7,699,603 B2 *	4/2010	Furner	F21V 23/04
			431/292

(Continued)

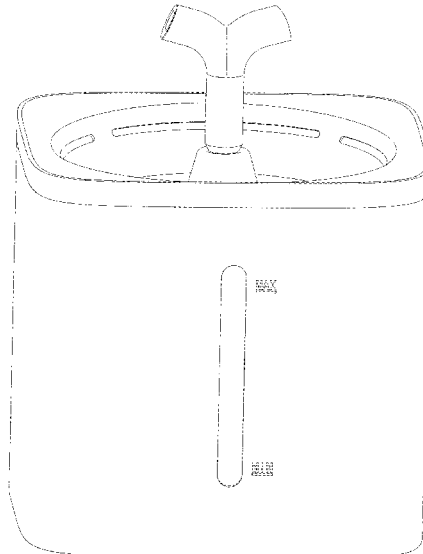
Primary Examiner — Susan Moon Lee

(57) **CLAIM**
The ornamental design for a pet water dispenser, as shown and described.

DESCRIPTION

FIG. 1 is a perspective view of a pet water dispenser showing my new design;
FIG. 2 is a front elevational view thereof;
FIG. 3 is a rear elevational view thereof;
FIG. 4 is a left side elevational view thereof;
FIG. 5 is a right side elevational view thereof;
FIG. 6 is a top plan view thereof; and,
FIG. 7 is a bottom plan view thereof.
The broken lines throughout the drawing figures depict portions of the pet water dispenser that form no part of the claimed design.

1 Claim, 7 Drawing Sheets



(56)

References Cited

U.S. PATENT DOCUMENTS

8,096,266 B2 * 1/2012 Rowe A01K 7/022
119/74
D674,464 S * 1/2013 Wilder D23/209
D738,579 S 9/2015 Owens et al.
D820,533 S * 6/2018 Huang D30/132
10,165,753 B1 * 1/2019 Huang A01K 7/02
10,264,761 B1 * 4/2019 Huang A01K 7/02
D849,336 S * 5/2019 Huang D30/132
D849,337 S * 5/2019 Huang D30/132
D850,731 S * 6/2019 Wu D30/132
D871,683 S 12/2019 Lee
D872,381 S 1/2020 Lee
D893,810 S * 8/2020 Wu D30/132
D894,500 S * 8/2020 Cui D30/132
10,834,895 B2 * 11/2020 Chen A01K 7/025
2006/0027179 A1 * 2/2006 Welbourne A01K 7/06
119/75
2006/0174838 A1 * 8/2006 Plante A01K 7/02
119/74
2010/0095897 A1 * 4/2010 Rowe A01K 7/022
119/72
2013/0174790 A1 * 7/2013 Lipscomb A01K 7/00
119/74
2013/0291802 A1 * 11/2013 Carpentieri A01K 7/027
119/72
2014/0076242 A1 * 3/2014 Ho A01K 7/04
119/74
2019/0075755 A1 * 3/2019 Imaizumi A01K 7/025
2020/0085013 A1 * 3/2020 Youn B01D 29/01
2020/0085014 A1 * 3/2020 Yoo A01K 7/022
2020/0087135 A1 * 3/2020 Youn B01D 29/01
2020/0100462 A1 * 4/2020 Chen A01K 7/02

* cited by examiner

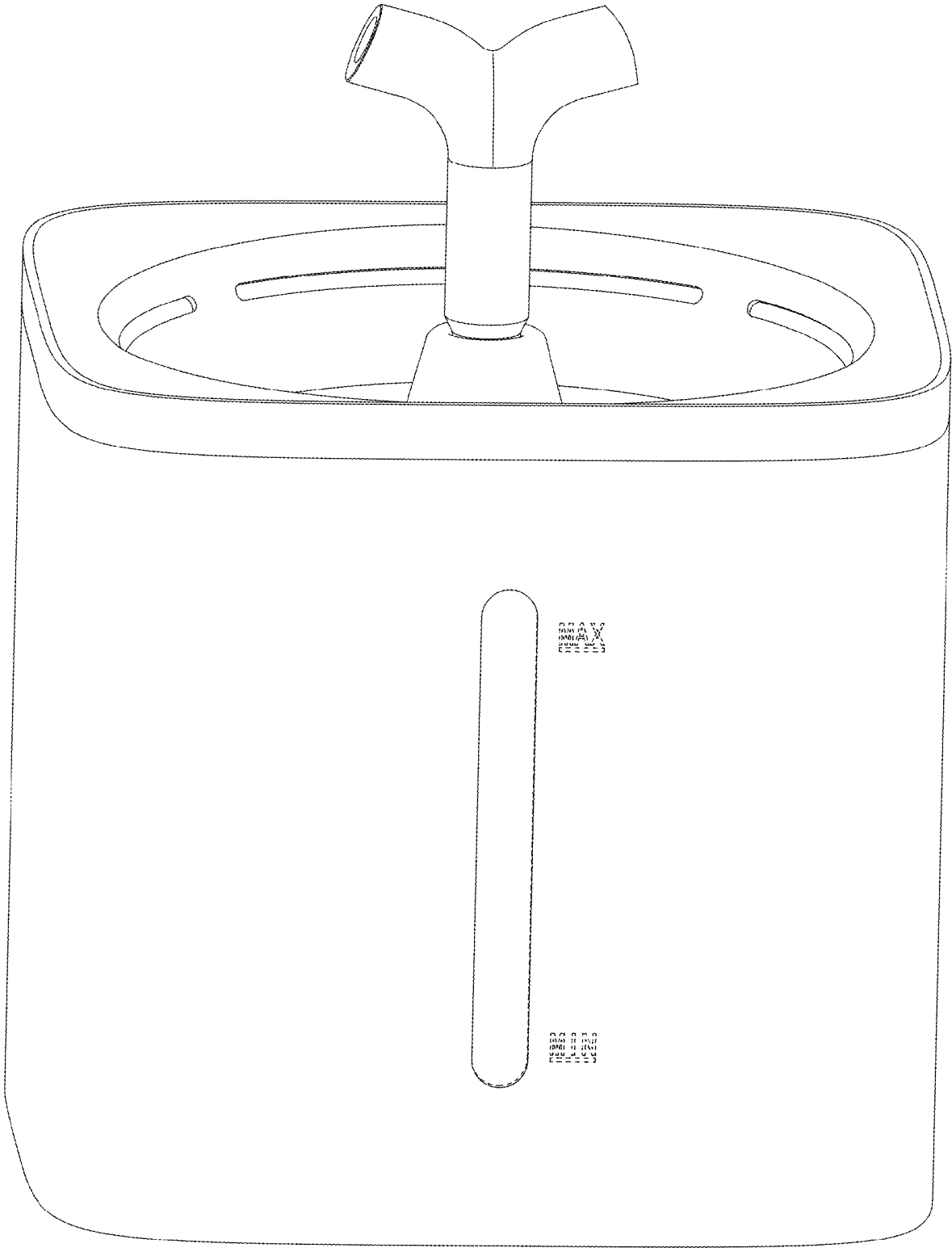


FIG.1

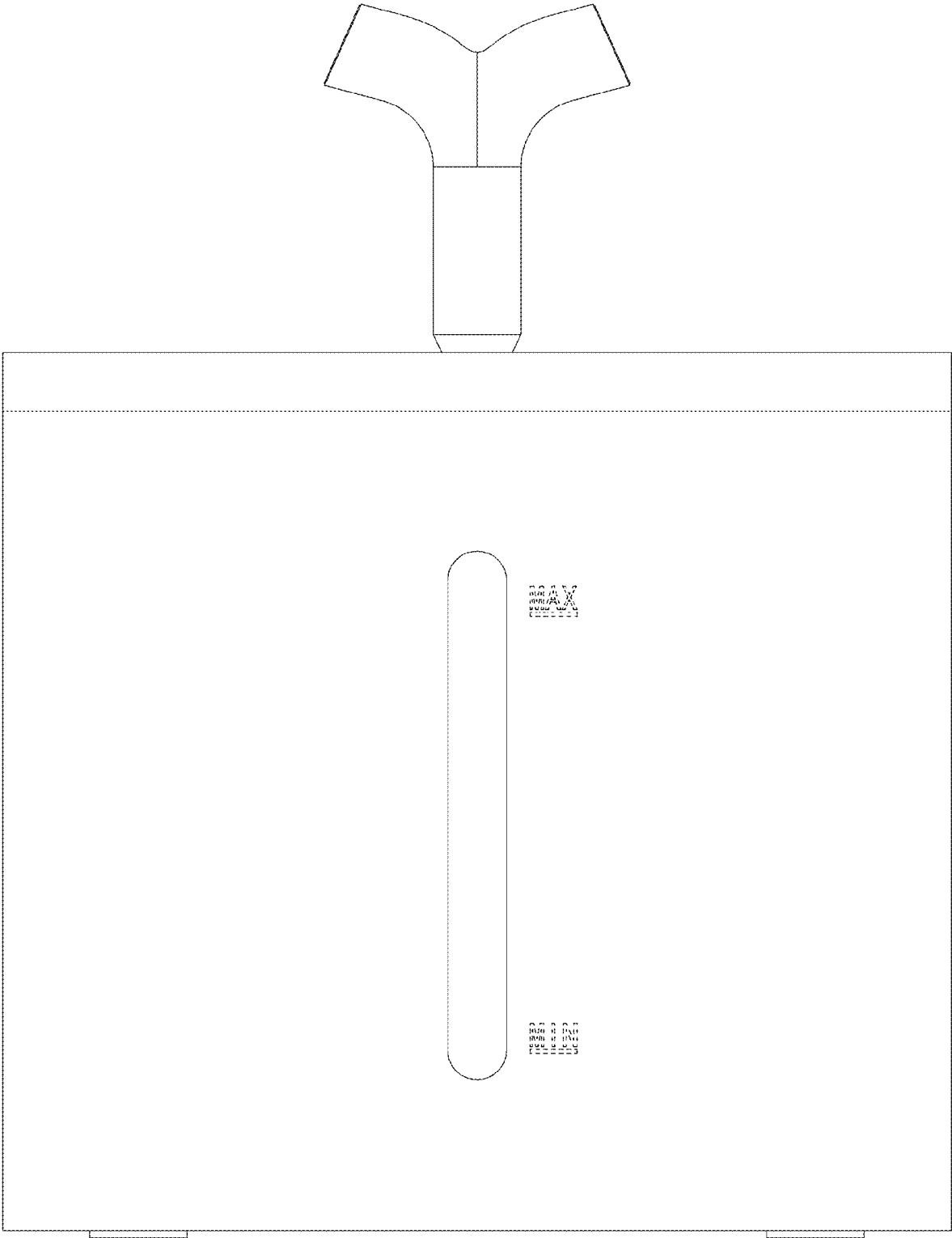


FIG. 2

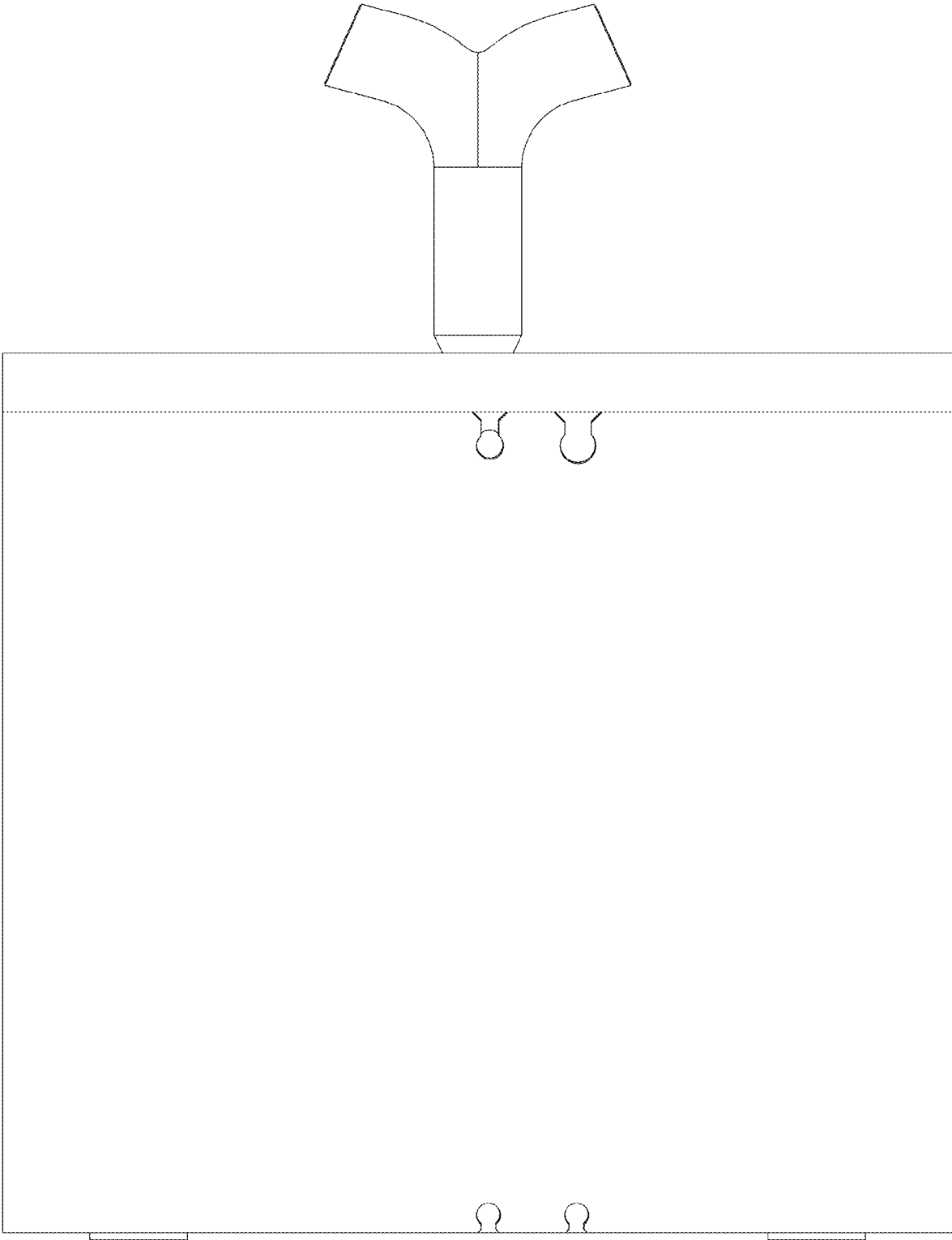


FIG.3

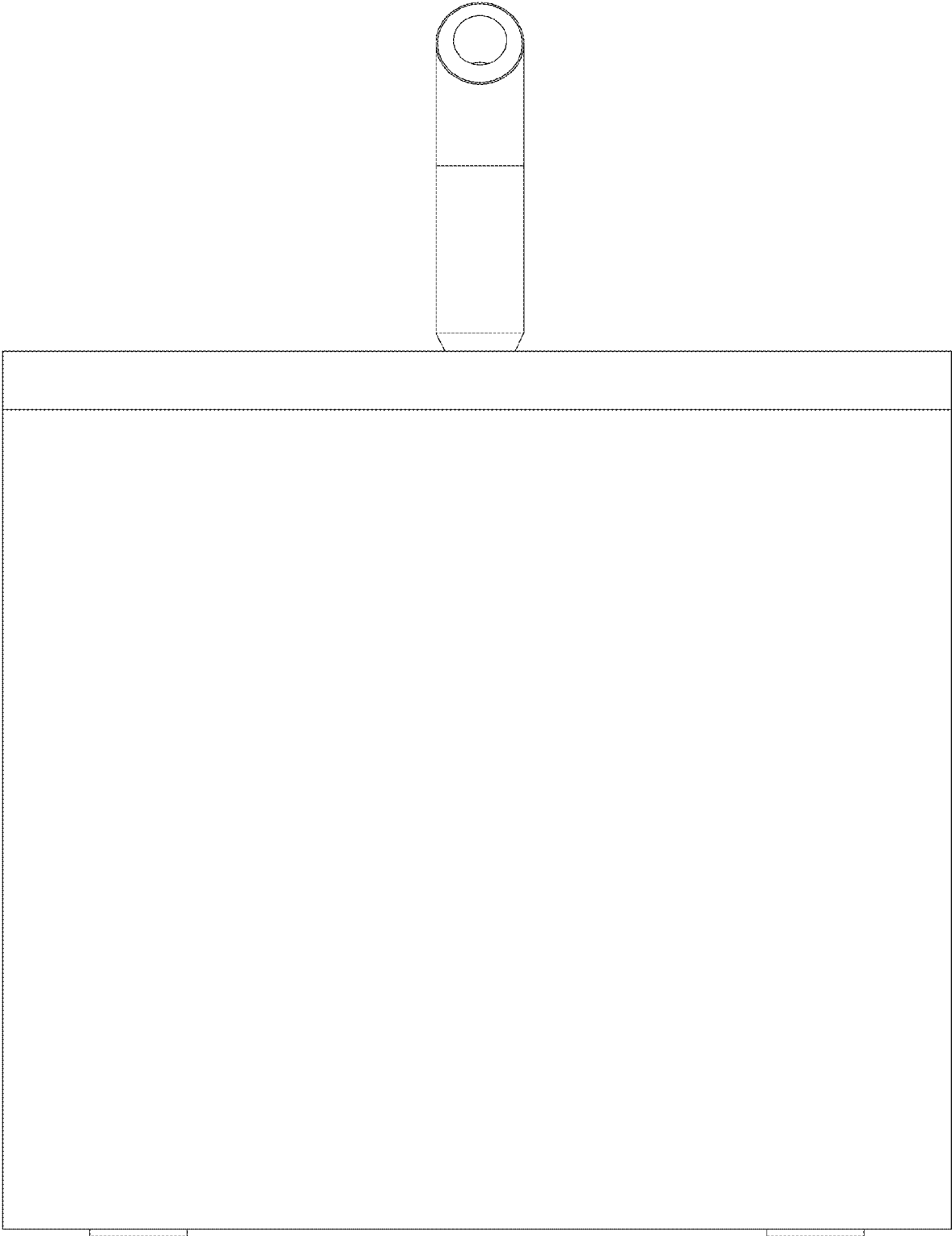


FIG.4

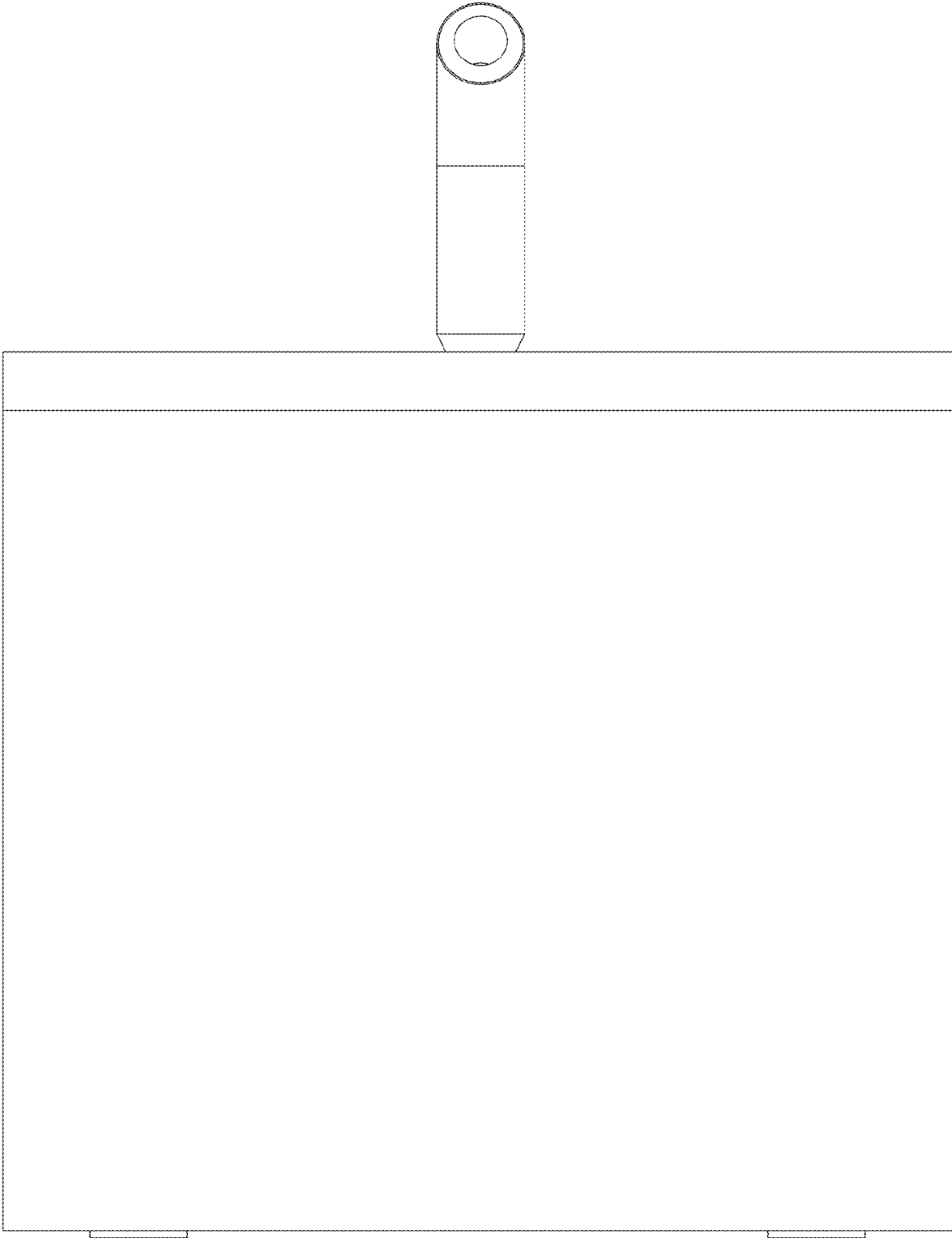


FIG.5

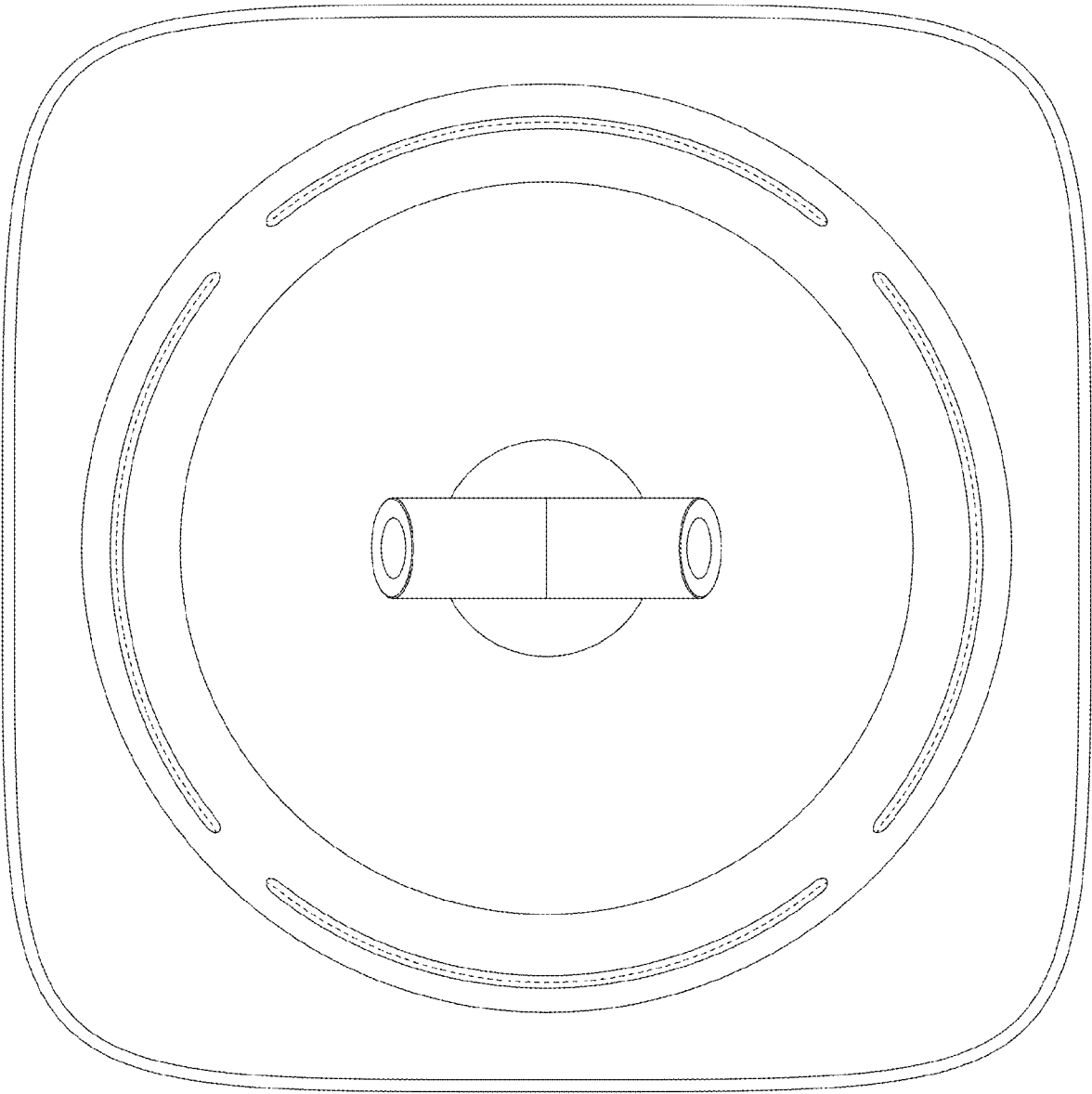


FIG.6

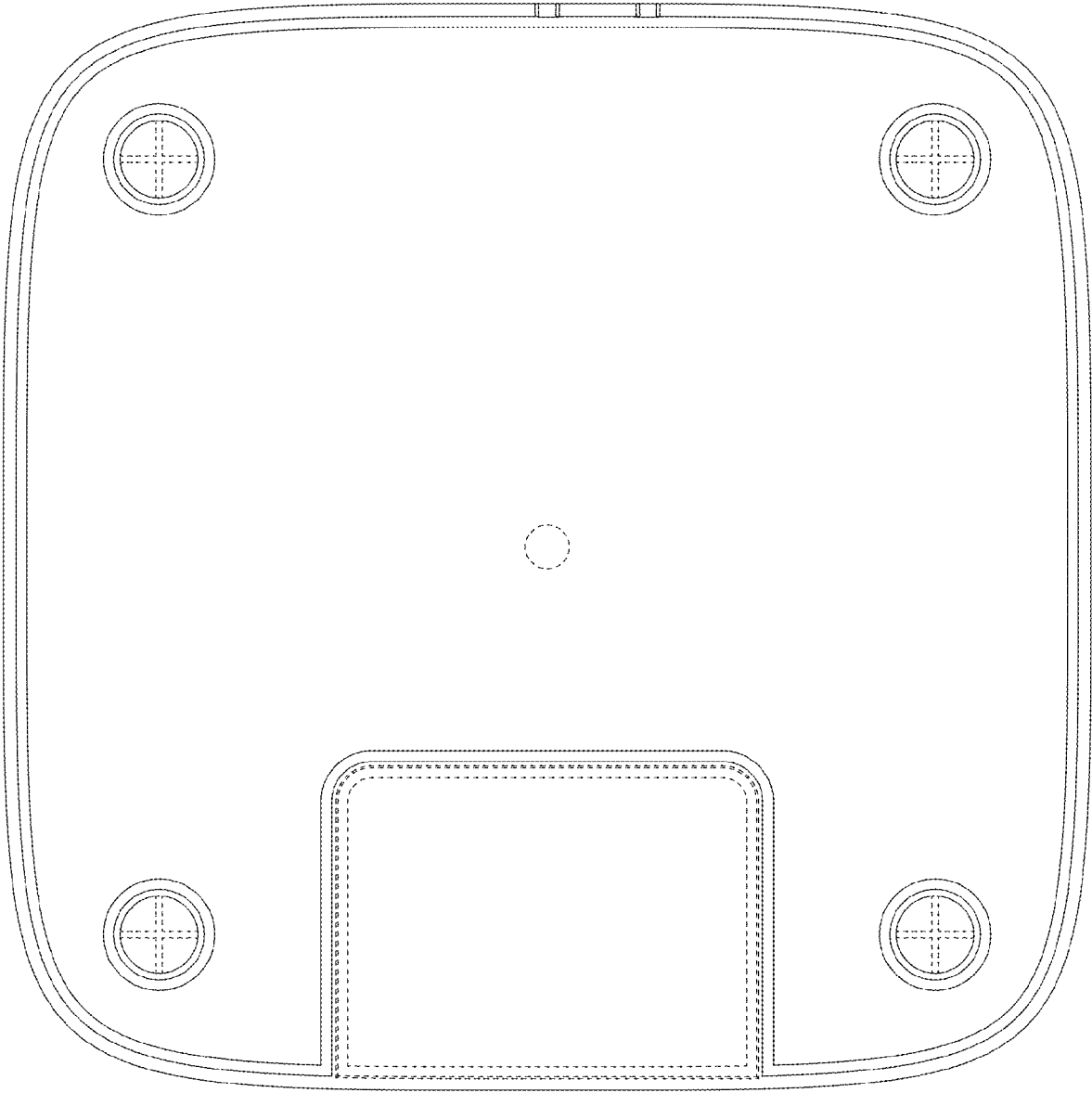


FIG.7