



US00D615782S

(12) **United States Design Patent**
Beckley et al.

(10) **Patent No.:** **US D615,782 S**

(45) **Date of Patent:** **** May 18, 2010**

(54) **CHAIR**

(75) Inventors: **Anthony P. Beckley**, Stratford (CA);
Cesar Fernandes, Cambridge (CA)

(73) Assignee: **Steelcase Inc.**, Grand Rapids, MI (US)

(**) Term: **14 Years**

(21) Appl. No.: **29/345,356**

(22) Filed: **Oct. 14, 2009**

D482,542 S	11/2003	Pluer
D485,083 S	1/2004	Frinier
D496,172 S	9/2004	Pluer
D497,491 S	10/2004	Pluer
D502,332 S	3/2005	Pluer
D520,256 S	5/2006	King
D525,799 S	8/2006	Lowsky
D542,046 S	5/2007	Pesso
D543,373 S	5/2007	Schweikarth
D549,979 S	9/2007	Kane et al.
D551,459 S	9/2007	Zagler

Related U.S. Application Data

(62) Division of application No. 29/280,572, filed on May 31, 2007, now Pat. No. Des. 604,519.

(51) **LOC (9) Cl.** **06-01**

(52) **U.S. Cl.** **D6/501; D6/379**

(58) **Field of Classification Search** D6/334-336,
D6/369, 370, 371-373, 374, 375, 376, 379,
D6/380, 381, 500-502; 297/232, 239, 411.42,
297/411.43, 445.1, 446.1, 448.1, 448.2, 452.63
See application file for complete search history.

(56) **References Cited**

U.S. PATENT DOCUMENTS

D269,232 S	6/1983	Benveniste	
D335,587 S	5/1993	Backer	
D358,041 S	5/1995	Watts	
D358,503 S	5/1995	Ginat	
D364,743 S	12/1995	Lewis	
D409,408 S	5/1999	James	
D409,851 S	5/1999	Hutton	
D410,802 S	6/1999	Olson	
D413,028 S	8/1999	Kaiser	
D442,792 S	5/2001	Martin	
D444,956 S	7/2001	Martin	
D446,401 S *	8/2001	Olson D6/379
D446,958 S	8/2001	Olson	
D454,715 S	3/2002	Olson	
D458,469 S	6/2002	Schweikarth et al.	
D465,347 S	11/2002	Bell	
D473,061 S	4/2003	Goodman	
D482,541 S	11/2003	Pluer	

(Continued)

OTHER PUBLICATIONS

Gentry Brochure, Steelcase, 1999.

(Continued)

Primary Examiner—Mimosa De
(74) *Attorney, Agent, or Firm*—Quarles & Brady, LLP

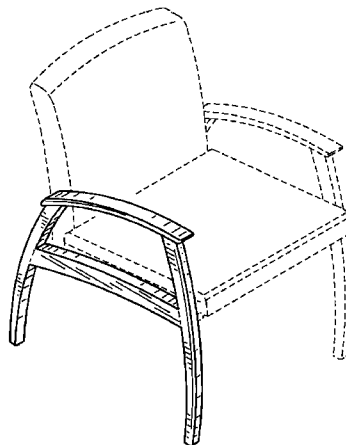
(57) **CLAIM**

The ornamental design for a chair, as shown and described.

DESCRIPTION

FIG. 1 is a top, front, left perspective view of a first embodiment of a chair embodying our new design;
FIG. 2 is a left side elevational view thereof;
FIG. 3 is a front elevational view thereof;
FIG. 4 is a rear elevational view thereof;
FIG. 5 is a top plan view thereof; and,
FIG. 6 is a bottom view thereof.
The broken line representations of chair structure in FIGS. 1-6, are for the purpose of illustration only, and form no part of the claimed design.

1 Claim, 3 Drawing Sheets



US D615,782 S

Page 2

U.S. PATENT DOCUMENTS

D557,920 S * 12/2007 Homestead D6/375
D571,119 S 6/2008 Leonetti et al.
D572,492 S 7/2008 Mainville
D572,935 S 7/2008 Sargent
D577,218 S 9/2008 Kreiss
D593,338 S * 6/2009 Schweikarth et al. D6/379

D600,049 S * 9/2009 Heltemes et al. D6/501
D604,519 S * 11/2009 Beckley et al. D6/334

OTHER PUBLICATIONS

Andante Brochure, Brandrud, 2002.

* cited by examiner

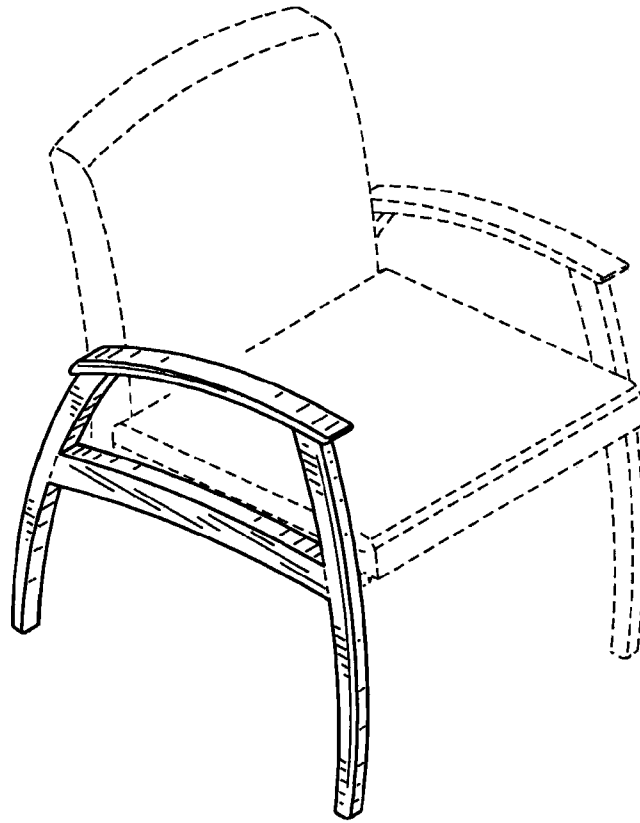


FIG. 1

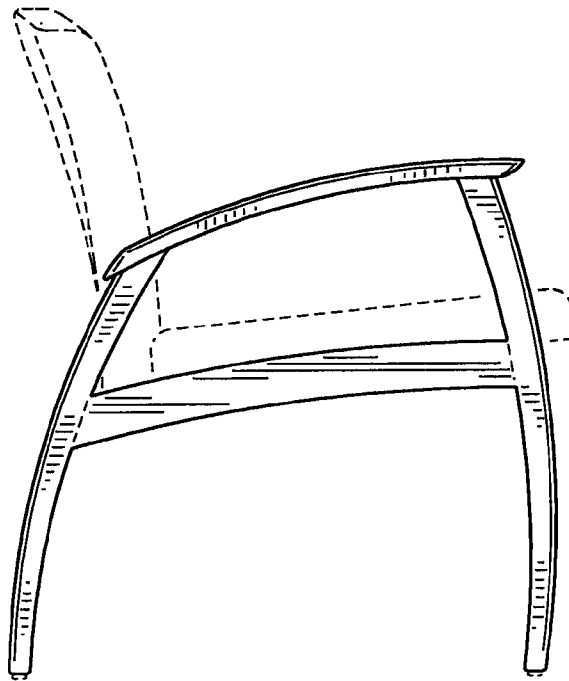


FIG. 2

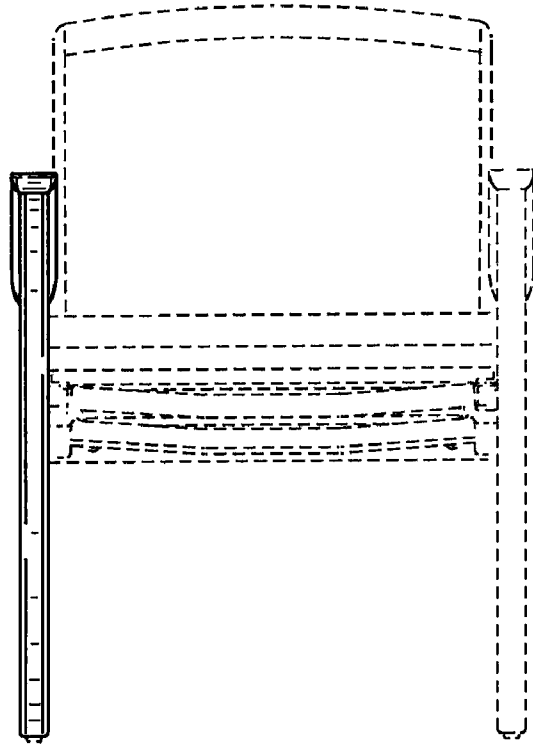


FIG. 3

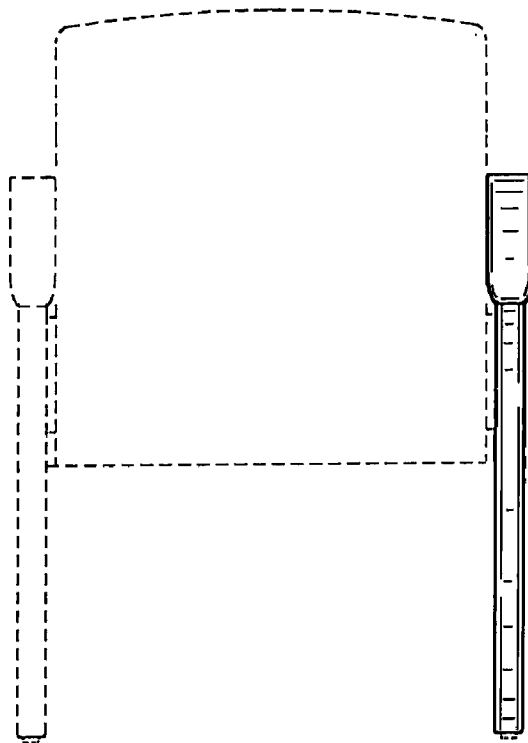


FIG. 4

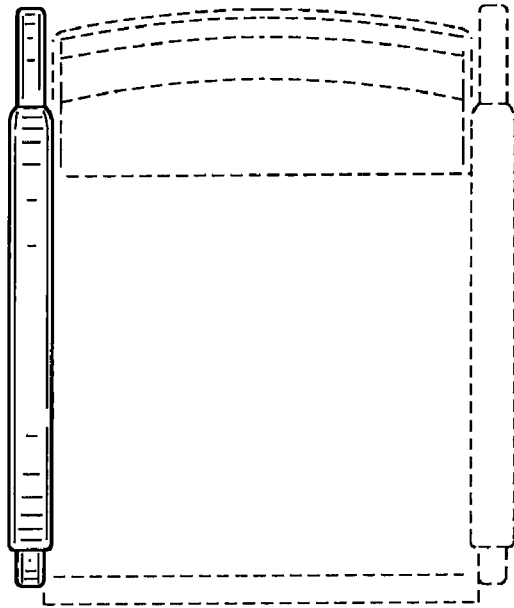


FIG. 5

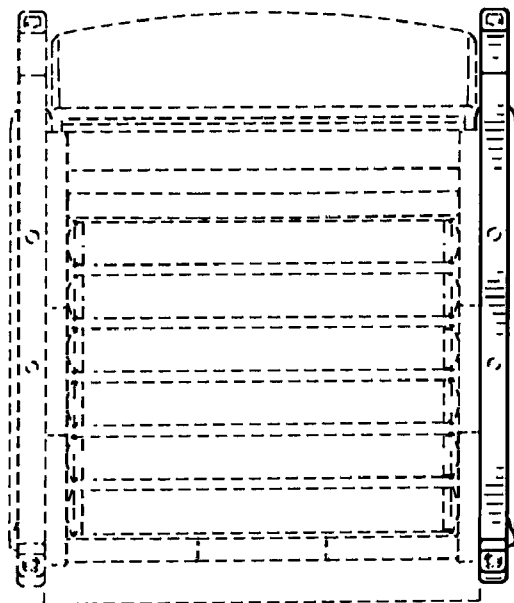


FIG. 6