



US00D469738S

(12) **United States Design Patent** (10) **Patent No.:** **US D469,738 S**
Ishii (45) **Date of Patent:** **** Feb. 4, 2003**

(54) **ROTATING LASER**
(75) Inventor: **Mitsuo Ishii**, Itabashi-ku (JP)
(73) Assignee: **Kabushiki Kaisha Topcon**, Tokyo (JP)
(**) Term: **14 Years**

(21) Appl. No.: **29/142,588**
(22) Filed: **May 31, 2001**
(51) **LOC (7) Cl.** **13-02**
(52) **U.S. Cl.** **D13/101; D10/66**
(58) **Field of Search** **D13/101; D10/65, D10/66; 356/138, 141.1, 141.3, 152.1; 33/DIG. 21**

(56) **References Cited**
U.S. PATENT DOCUMENTS
D383,075 S 9/1997 Sawaguchi et al.
5,689,330 A 11/1997 Gerard et al.
5,898,490 A 4/1999 Ohtomo et al.
D409,507 S 5/1999 Ishii
D416,856 S 11/1999 Onose
D417,633 S 12/1999 Sato et al.
D420,972 S * 2/2000 Brecher et al. D13/101
D429,481 S 8/2000 Ishii
D429,698 S 8/2000 Ishii
D450,254 S 11/2001 Ishii

* cited by examiner

Primary Examiner—Lisa Lichtenstein
(74) *Attorney, Agent, or Firm*—Jacobson Holman PLLC

(57) **CLAIM**

The ornamental design for a rotating laser, as shown.

DESCRIPTION

FIG. 1 is a left side perspective view of a rotating laser showing my new design;
FIG. 2 is a right side perspective view thereof;
FIG. 3 is a front view thereof;
FIG. 4 is a rear view thereof;
FIG. 5 is a right side view thereof;
FIG. 6 is a left side view thereof;
FIG. 7 is a top plan view thereof; and
FIG. 8 is a bottom plan view thereof.
FIG. 9 is a left perspective view of the second embodiment of the subject rotating laser;
FIG. 10 is a right perspective view of the second embodiment of the subject rotating laser;
FIG. 11 is a front view of the second embodiment;
FIG. 12 is a rear view of the second embodiment;
FIG. 13 is a right side view of the second embodiment;
FIG. 14 is a left side view of the second embodiment;
FIG. 15 is a plan view of the second embodiment; and,
FIG. 16 is a bottom view of the second embodiment.

1 Claim, 8 Drawing Sheets

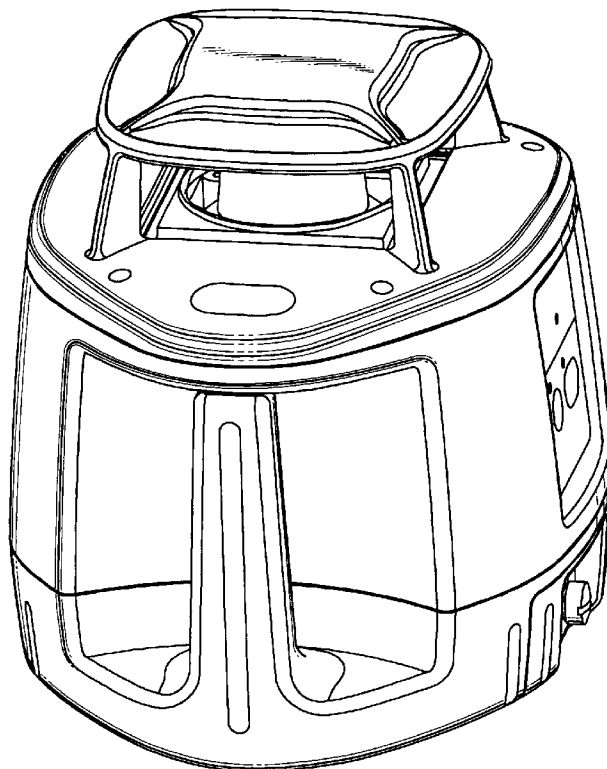


FIG.1

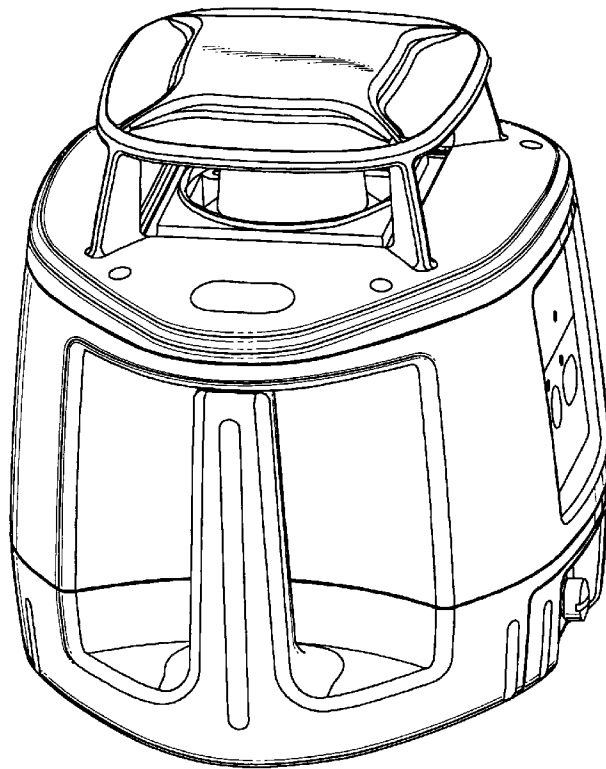


FIG.2

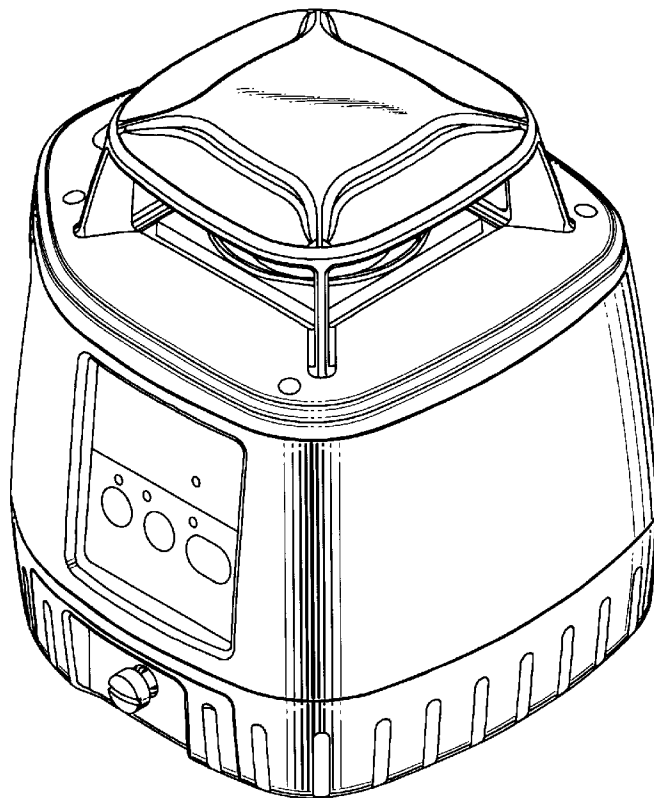


FIG.3

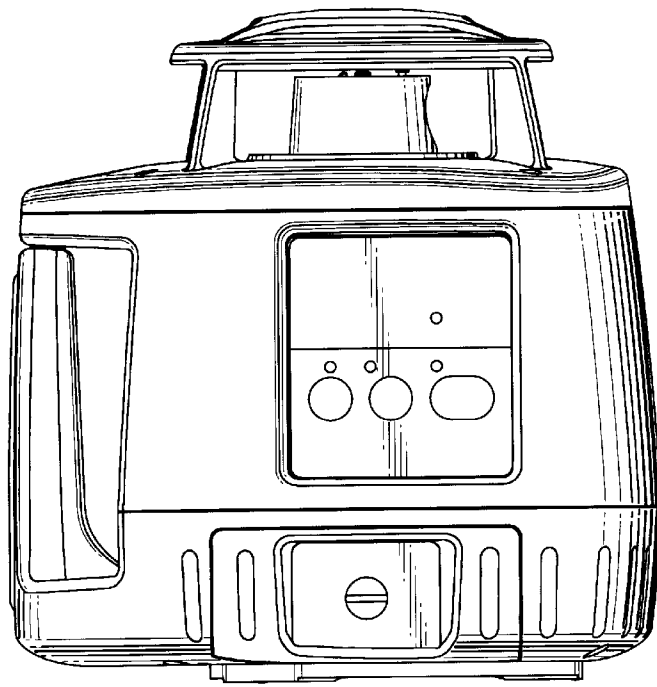


FIG.4

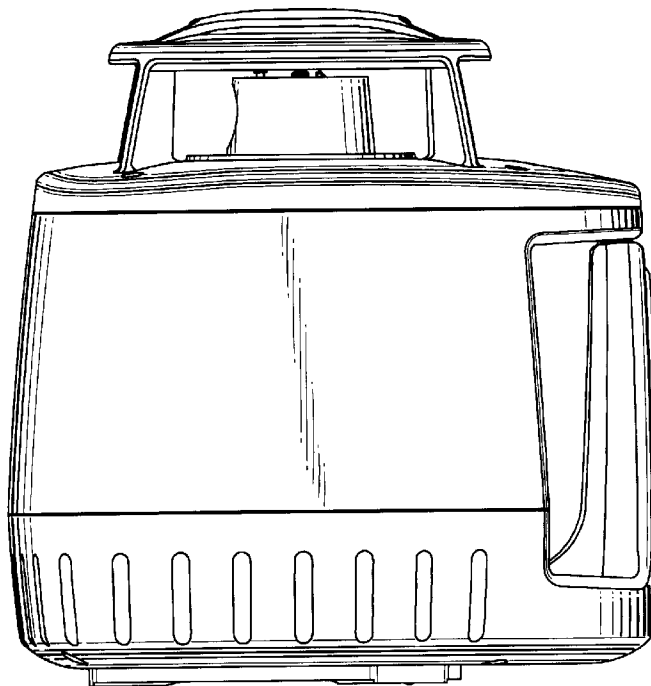


FIG.5

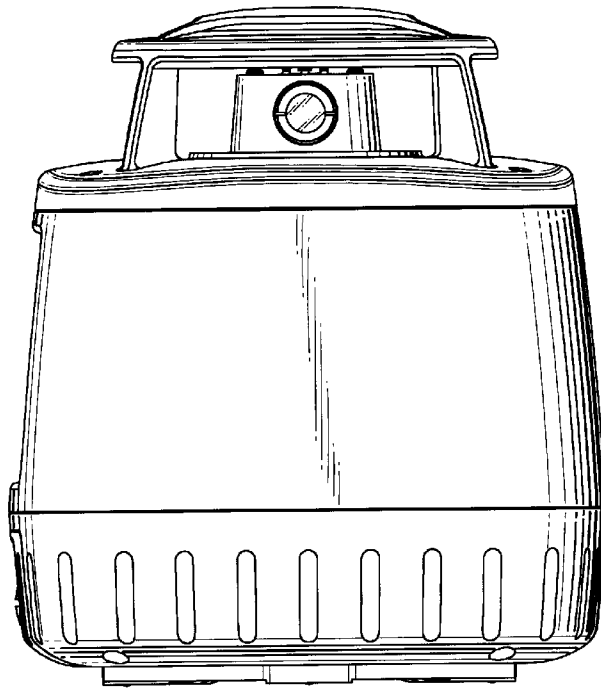


FIG.6

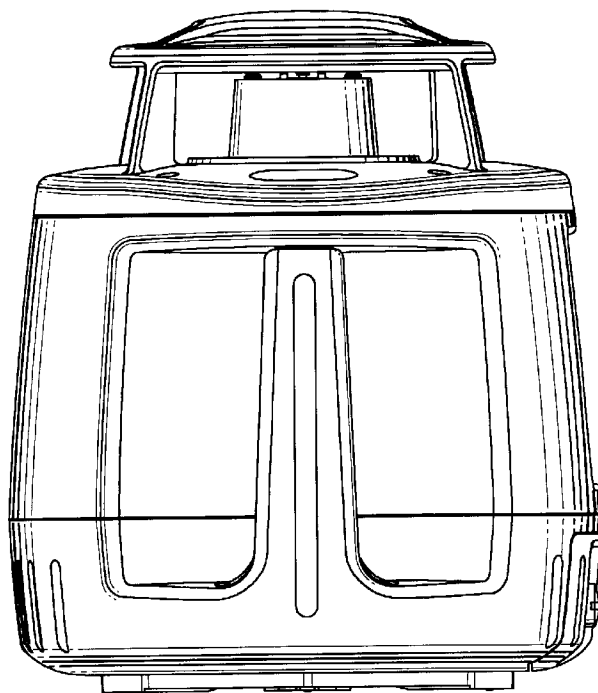


FIG.7

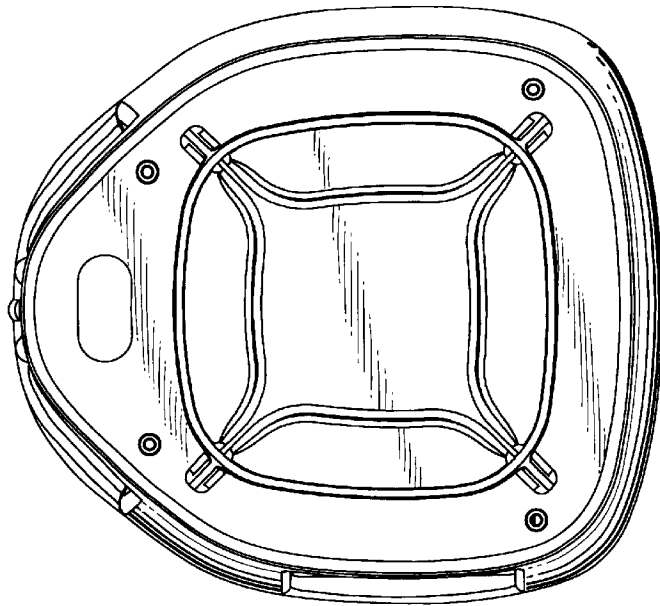


FIG.8

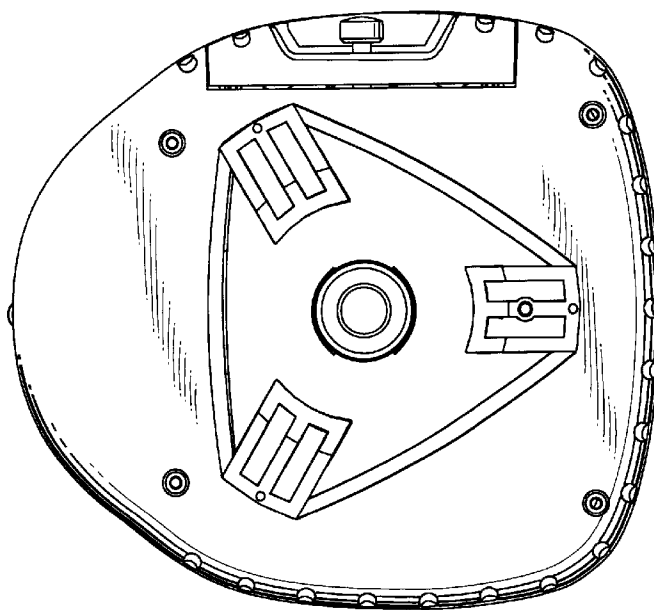


FIG.9

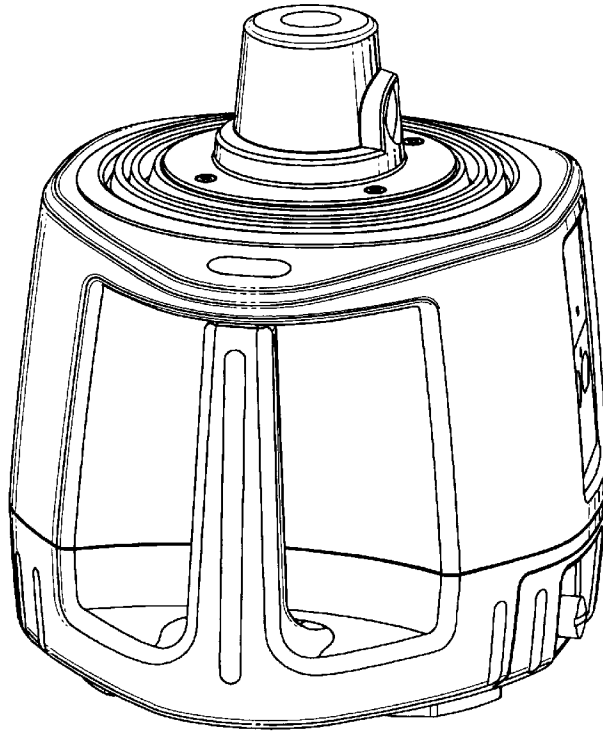


FIG.10

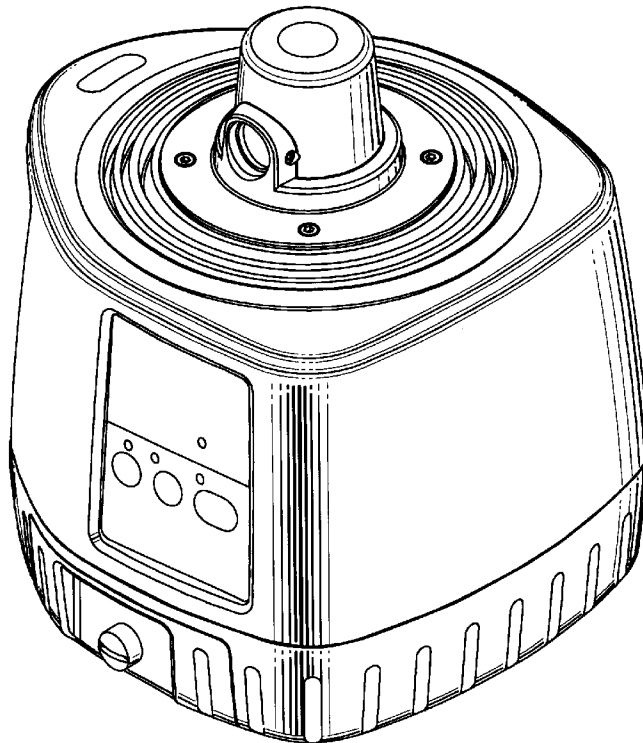


FIG.11

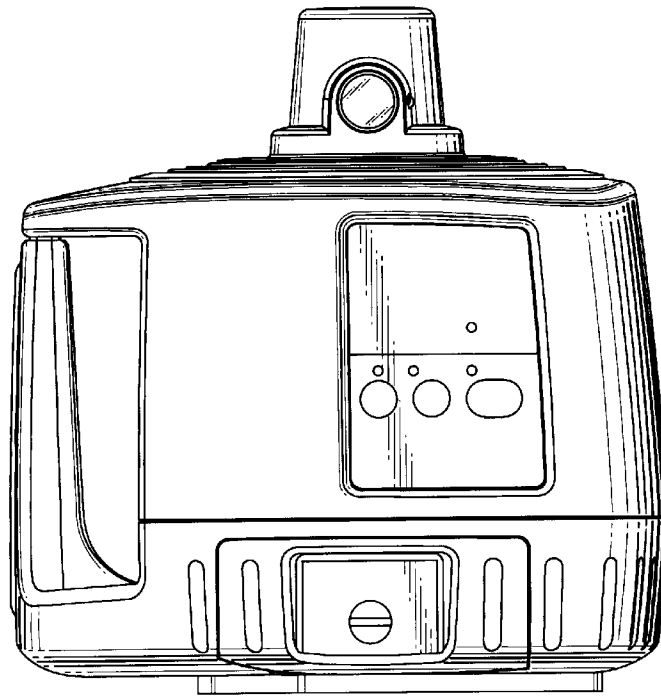


FIG.12

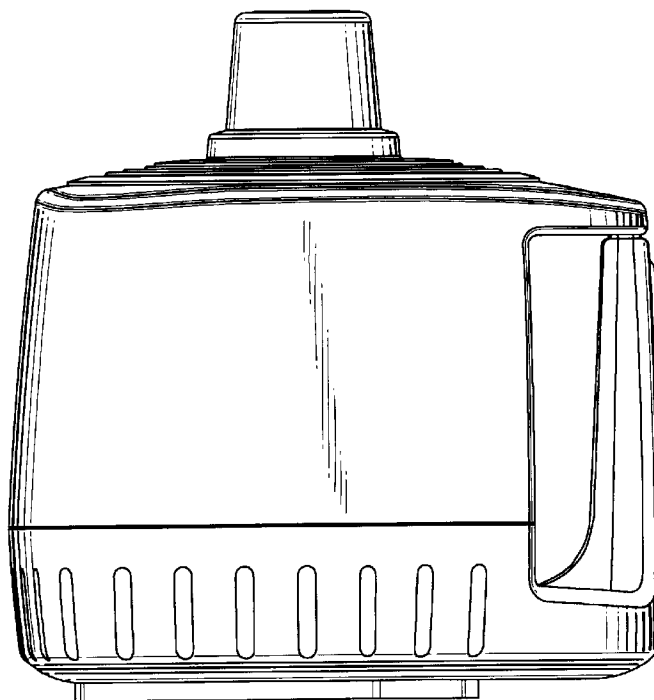


FIG.13

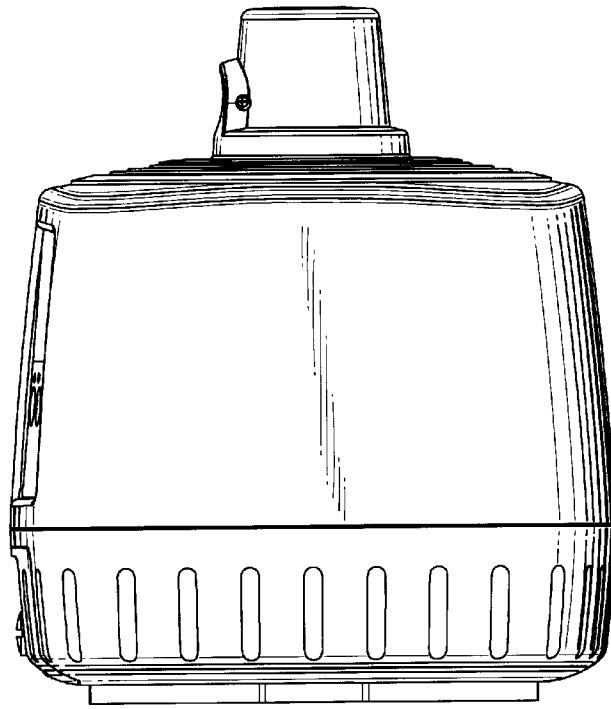


FIG.14

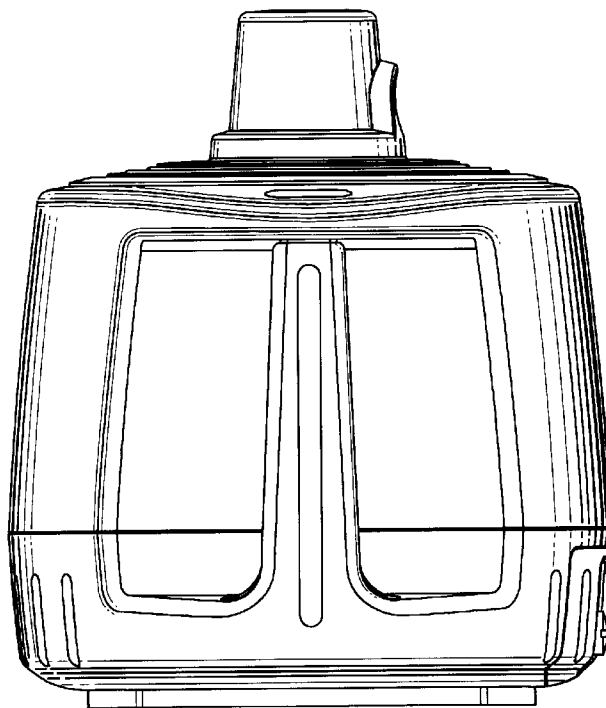


FIG.15

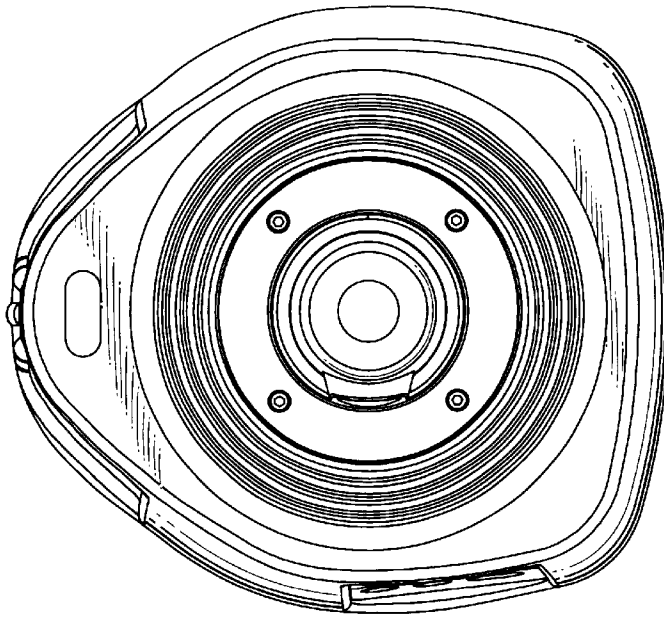


FIG.16

