



US00D383231S

United States Patent [19]
Kaiser

[11] **Patent Number:** **Des. 383,231**
[45] **Date of Patent:** ****Sep. 2, 1997**

[54] **HEAD FOR A FLEXIBLE FLASHLIGHT**

3,111,277 11/1963 Grimsley D26/43 X

[75] **Inventor:** **David W. Kaiser**, North Haven, Conn.

Primary Examiner—Alan P. Douglas
Assistant Examiner—Lavone D. Tabor
Attorney, Agent, or Firm—Barry E. Deutsch

[73] **Assignee:** **Black & Decker Inc.**, Newark, Del.

[**] **Term:** **14 Years**

[57] **CLAIM**

[21] **Appl. No.:** **37,617**

The ornamental design for a head for a flexible flashlight, as shown and described.

[22] **Filed:** **Apr. 17, 1995**

DESCRIPTION

[51] **LOC (6) CL** **26-02**

[52] **U.S. Cl.** **D26/43**

[58] **Field of Search** D26/37, 38, 43,
D26/46, 49, 60, 62; 362/157, 158, 184-189,
191, 198, 199, 202-205, 207, 208

FIG. 1 is a left side elevational view of a head for a flexible flashlight illustrating my new design. the portion shown in phantom is illustrative of a flexible core to which my new design may be attached;

FIG. 2 is a right side elevational view thereof;

FIG. 3 is a front elevational view thereof;

FIG. 4 is a rear elevational view thereof;

FIG. 5 is a top plan view thereof; and,

FIG. 6 is a bottom plan view thereof.

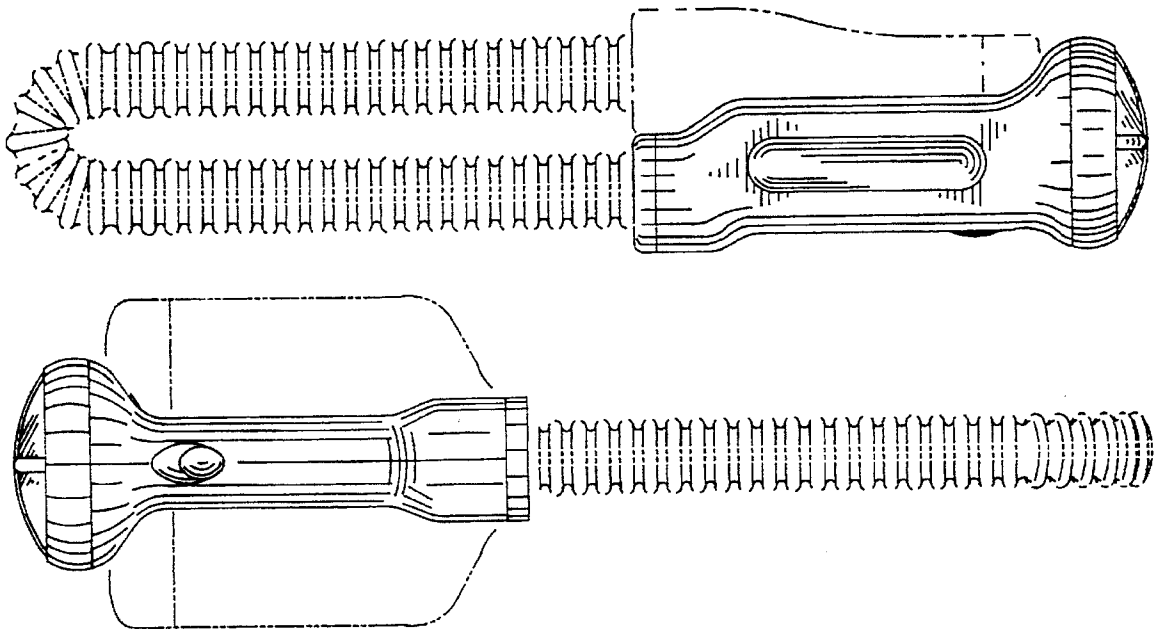
The broken lines are for illustrative purposes only and form no part of the claimed design.

[56] **References Cited**

U.S. PATENT DOCUMENTS

- D. 147,258 8/1947 Becker D26/43
- D. 166,073 3/1952 Dunkelberger D26/43
- D. 314,246 1/1991 Bache D26/62
- D. 328,146 7/1992 Sinsteden D26/49
- 1,769,241 7/1930 Stephani 362/202 X

1 Claim, 2 Drawing Sheets



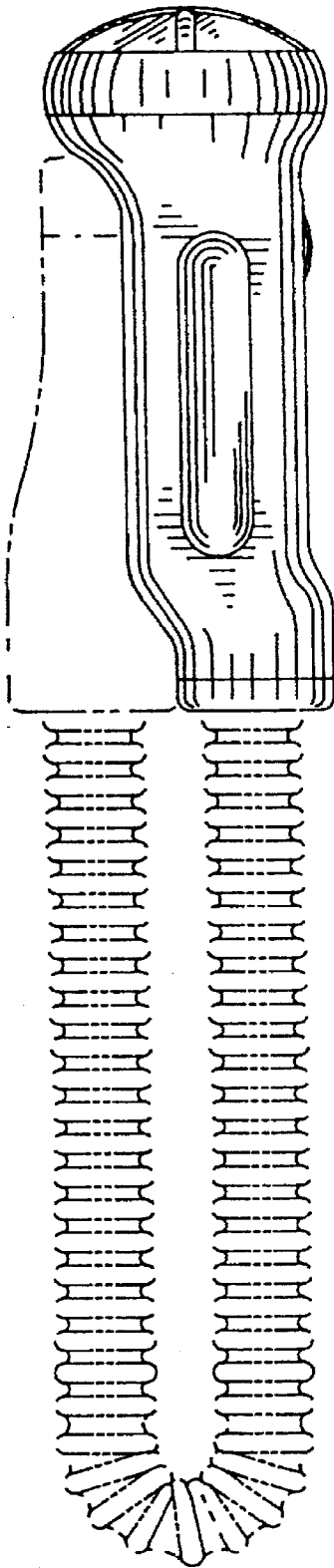


FIG. 1

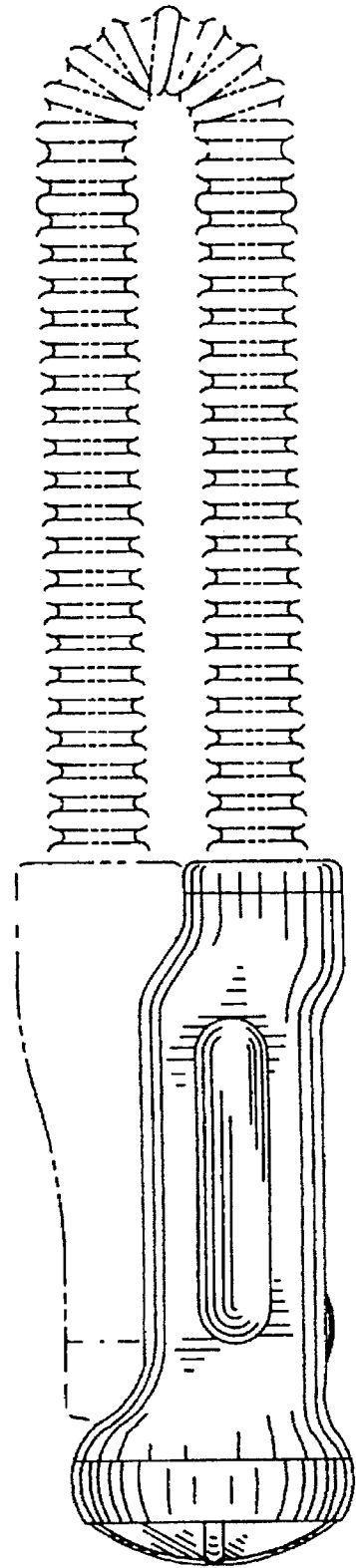


FIG. 2

