



US00D752831S

(12) **United States Design Patent**  
**Kim et al.**

(10) **Patent No.:** **US D752,831 S**

(45) **Date of Patent:** **\*\* Mar. 29, 2016**

(54) **CLEANER**

(71) Applicant: **Samsung Electronics Co., Ltd.**,  
Suwon-si (KR)

(72) Inventors: **Kyung-Tae Kim**, Seoul (KR); **Sara Petrucci**, Clavesana (IT); **Chris Bangle**, Clavesana (IT)

(73) Assignee: **SAMSUNG ELECTRONICS CO., LTD.** (KR)

(\*\*) Term: **14 Years**

(21) Appl. No.: **29/496,396**

(22) Filed: **Jul. 11, 2014**

(51) **LOC (10) Cl.** ..... **15-05**

(52) **U.S. Cl.**

USPC ..... **D32/18**

(58) **Field of Classification Search**

USPC ..... D32/18, 21–24, 31  
CPC .. B01D 50/002; A47L 9/1625; A47L 9/1683;  
A47L 9/1666; A47L 9/1641; A47L 5/28;  
A47L 5/24; A47L 5/362; A47L 5/365; A47L  
5/36; A47L 7/06

See application file for complete search history.

(56) **References Cited**

**U.S. PATENT DOCUMENTS**

D194,025 S \* 11/1962 Gantz ..... D32/22  
D215,874 S \* 11/1969 Averitt ..... D32/18

D237,244 S \* 10/1975 Williams ..... D32/22  
D246,752 S \* 12/1977 Fukuda et al. .... D32/18  
D384,783 S \* 10/1997 Strohmeier et al. .... D32/22  
D386,843 S \* 11/1997 Strohmeier et al. .... D32/22  
D474,867 S \* 5/2003 Robinson ..... D32/18  
D515,752 S \* 2/2006 Rosenzweig ..... D32/18  
D636,954 S \* 4/2011 Liu et al. .... D32/22  
D682,493 S \* 5/2013 Erlich et al. .... D32/18  
D685,542 S \* 7/2013 Erlich et al. .... D32/18  
D729,471 S \* 5/2015 Aglassinger ..... D32/18

\* cited by examiner

*Primary Examiner* — Ruth McInroy

(74) *Attorney, Agent, or Firm* — Cantor Colburn LLP

(57) **CLAIM**

We claim, the ornamental design for a cleaner, as shown and described.

**DESCRIPTION**

FIG. 1 is a perspective view of a cleaner, showing our new design;

FIG. 2 is a front view thereof;

FIG. 3 is a rear view thereof;

FIG. 4 is a side view thereof;

FIG. 5 is another side view thereof;

FIG. 6 is a top view thereof;

FIG. 7 is a bottom view thereof; and,

FIG. 8 is another side view thereof, as shown in a user environment.

The broken lines illustrating portions of the cleaner are for environmental purposes only and form no part of the claimed design.

**1 Claim, 8 Drawing Sheets**

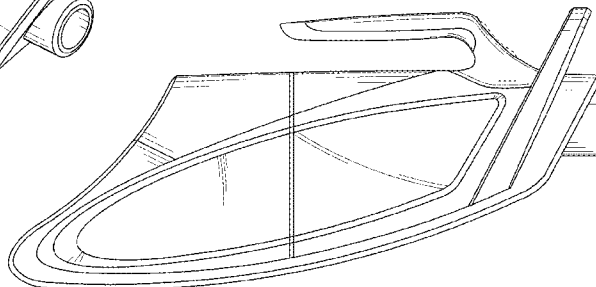
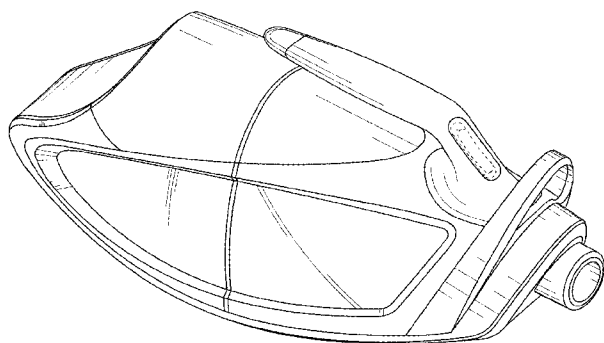


FIG. 1

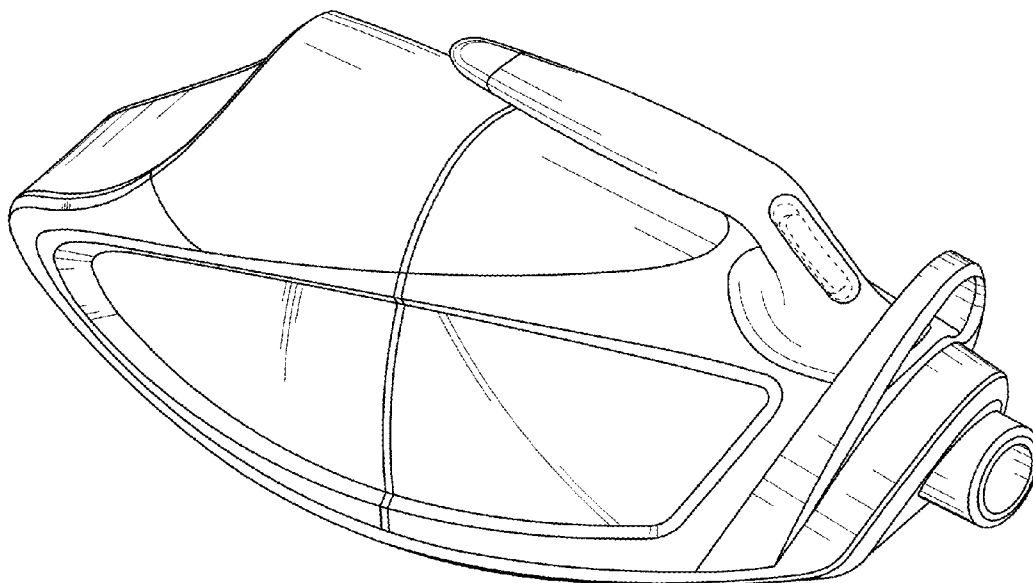


FIG. 2

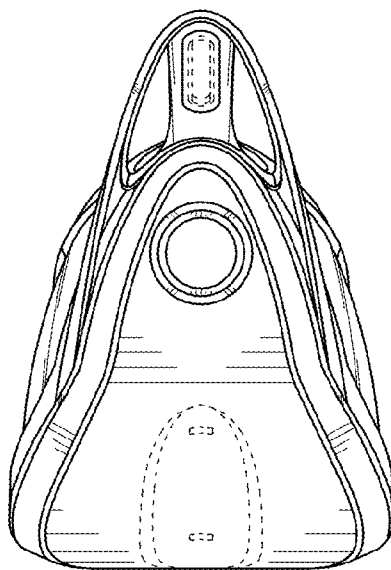


FIG. 3

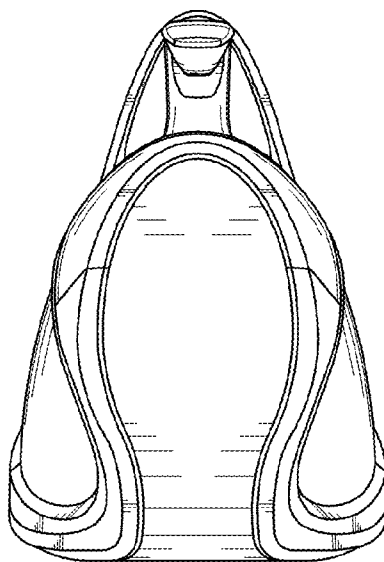


FIG. 4

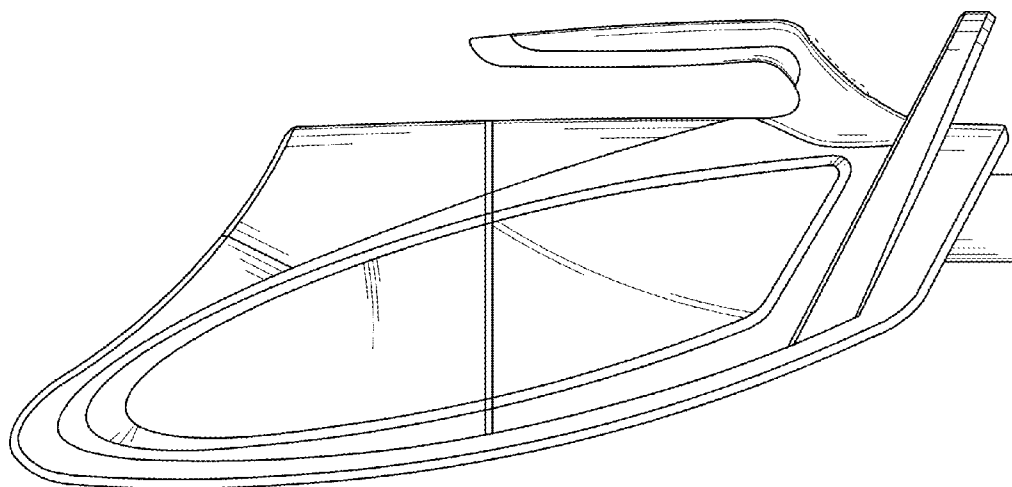


FIG. 5

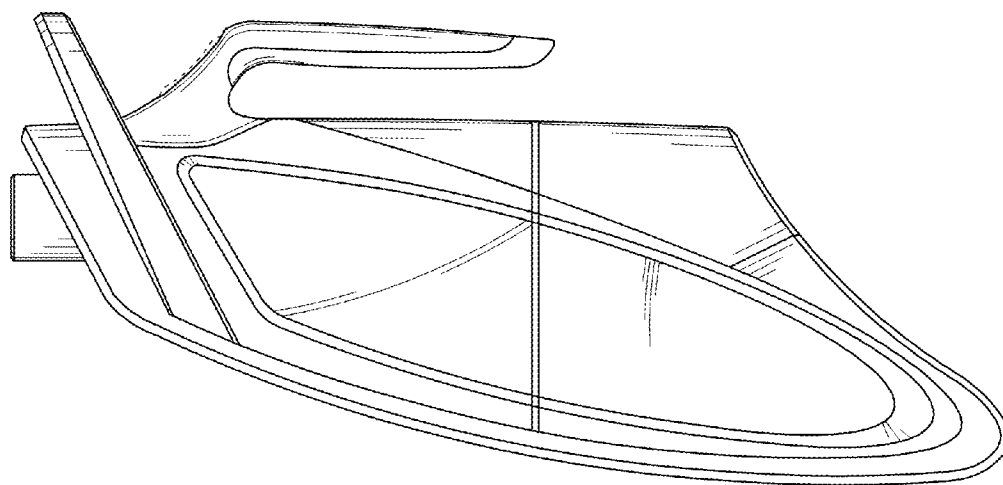


FIG. 6

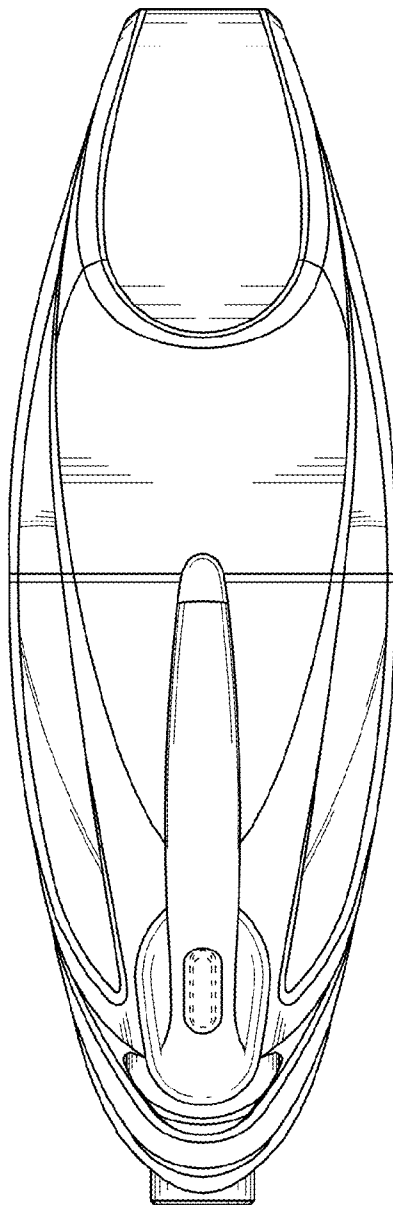


FIG. 7

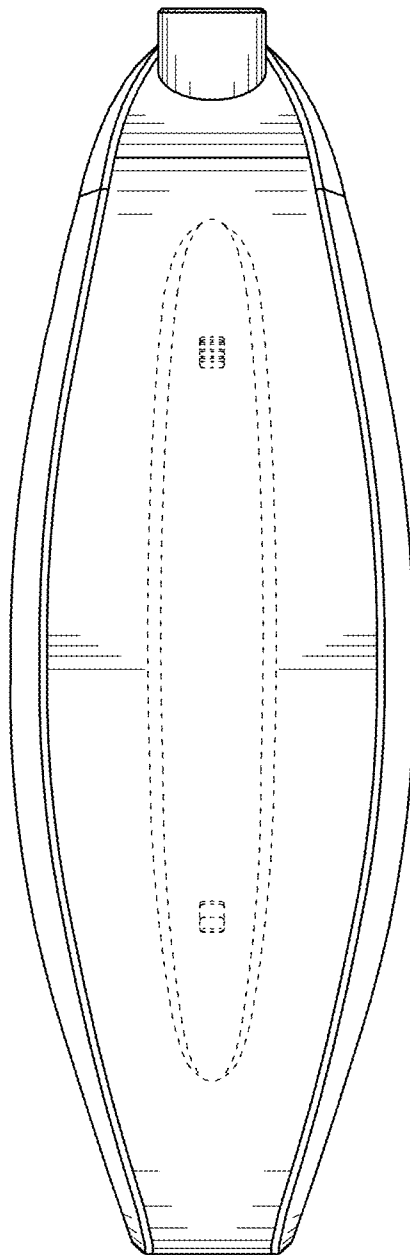




FIG. 8

