



US0D1035751S

(12) **United States Design Patent**
Ye

(10) **Patent No.:** **US D1,035,751 S**

(45) **Date of Patent:** **** Jul. 16, 2024**

(54) **PHOTOGRAPHY BACKGROUND FRAME**

FOREIGN PATENT DOCUMENTS

(71) Applicant: **Yingxue Ye**, Shanwei (CN)

GB 6215534 * 6/2022
JP D1731570 * 12/2022

(72) Inventor: **Yingxue Ye**, Shanwei (CN)

OTHER PUBLICATIONS

(**) Term: **15 Years**

“Beiyang 8.5x10 FT Photo Backdrop Stand Kit” from Amazon.com, first available Dec. 22, 2020 from the internet <https://www.amazon.com/dp/B08R5FRF96/> (Year: 2020).*

(21) Appl. No.: **29/924,097**

(Continued)

(22) Filed: **Jan. 17, 2024**

(51) **LOC (14) Cl.** **16-01**

(52) **U.S. Cl.**

USPC **D16/241**

(58) **Field of Classification Search**

USPC D16/200–203, 208–209, 211, 213–214,
D16/217–218, 229–230, 237, 241, 242,
D16/244; D8/352, 355, 363, 387, 396;
D14/125, 128, 129, 203.1, 203.6, 203.8,
D14/209, 209.1, 216, 224, 228, 229, 238,
D14/251, 447, 451, 457, 474, 496, 506,
D14/509

CPC G03B 17/00; G03B 17/02; G03B 17/56;
G03B 17/561; G03B 17/566; G03B
21/00; G03B 21/16; G03B 21/145; H04N
23/50; H04N 23/55

See application file for complete search history.

Primary Examiner — Elizabeth J Oswecki
Assistant Examiner — Lacey Chey Bowman
(74) *Attorney, Agent, or Firm* — Jeenam Park

(57) **CLAIM**

The ornamental design for a photography background frame, as shown and described.

DESCRIPTION

FIG. 1 is a front, right and top perspective view of a photography background frame, showing my new design; FIG. 2 is a rear, left and bottom perspective view thereof; FIG. 3 is a front view thereof; FIG. 4 is a rear view thereof; FIG. 5 is a left side view thereof; FIG. 6 is a right side view thereof; FIG. 7 is a top plan view thereof; FIG. 8 is a bottom plan view thereof; FIG. 9 is an enlarged portion view labeled “9” in FIG. 2; FIG. 10 is an enlarged portion view labeled “10” in FIG. 2; FIG. 11 is an enlarged portion view labeled “11” in FIG. 2; and, FIG. 12 is an enlarged portion view labeled “12” in FIG. 2. The dashed-dot lines form the boundary of the enlarged portion views of FIGS. 9-12 shown in FIGS. 2 and 9-12 and form no part of the claimed design. The even dashed broken lines in the drawings illustrate portions of the photography background frame that form no part of the claimed design.

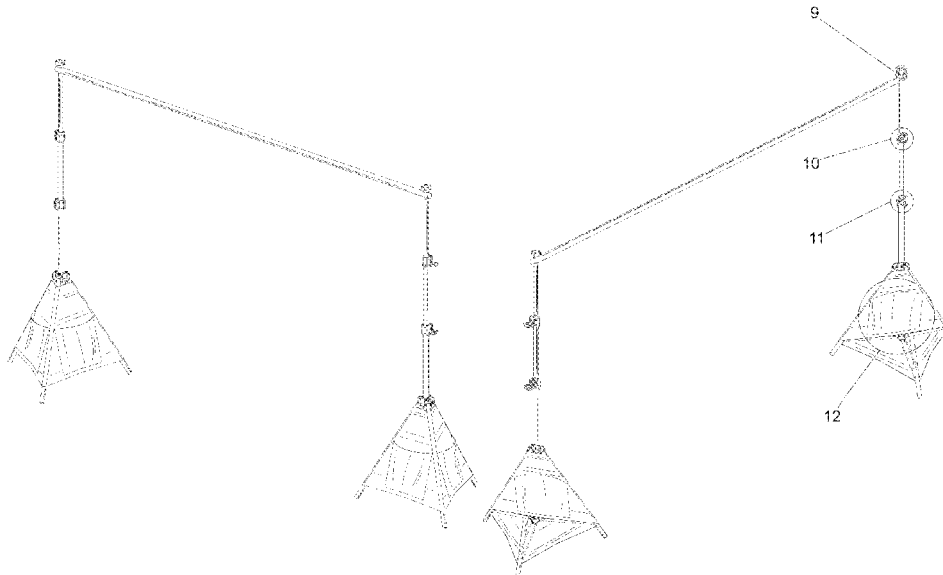
(56) **References Cited**

U.S. PATENT DOCUMENTS

D279,959 S * 8/1985 Nimmo D8/382
D327,083 S * 6/1992 Hayakawa D16/244
6,089,217 A * 7/2000 Paulson F41B 4/00
124/78
D579,928 S * 11/2008 Murata D14/229
D670,752 S * 11/2012 Barber D16/244
D712,730 S * 9/2014 Gridley D8/396

(Continued)

1 Claim, 12 Drawing Sheets



(56)

References Cited

U.S. PATENT DOCUMENTS

D828,057 S * 9/2018 Yaguchi D6/681
 D874,380 S * 2/2020 Harrah D8/382
 D899,492 S * 10/2020 Hao D16/244
 D907,106 S * 1/2021 Li D16/244
 D909,456 S * 2/2021 Xiao D16/244
 D916,173 S * 4/2021 Zeng D16/244
 D924,311 S * 7/2021 Ke D16/242
 D943,018 S * 2/2022 Feng D16/244
 D946,644 S * 3/2022 Lin D16/244
 D947,926 S * 4/2022 Tian D16/244
 D949,952 S * 4/2022 Luo D16/244
 D950,634 S * 5/2022 Fan D16/244
 D951,332 S * 5/2022 Ni D16/237
 D956,303 S * 6/2022 Feng D16/244
 D962,329 S * 8/2022 Feng D16/244
 D967,243 S * 10/2022 Wang D16/244

D969,902 S * 11/2022 Chen D16/244
 D970,264 S * 11/2022 Chen D16/244
 D971,300 S * 11/2022 Chen D16/244
 D971,993 S * 12/2022 Su D16/244
 D971,996 S * 12/2022 Xia D16/244
 D1,004,680 S * 11/2023 Yao D16/244
 D1,015,752 S * 2/2024 Zhang D16/241
 11,953,806 B2 * 4/2024 Shi G03B 15/08
 2017/0009802 A1 * 1/2017 Uke G03B 17/563
 2022/0091486 A1 * 3/2022 He G03B 17/561
 2023/0418132 A1 * 12/2023 Shi F16M 11/32

OTHER PUBLICATIONS

“Emart Photography Backdrop Stand” from Amazon.com, first available May 20, 2019 from the internet <<https://www.amazon.com/dp/B07S1RTP5Y/>> (Year: 2019).*

* cited by examiner



FIG. 1

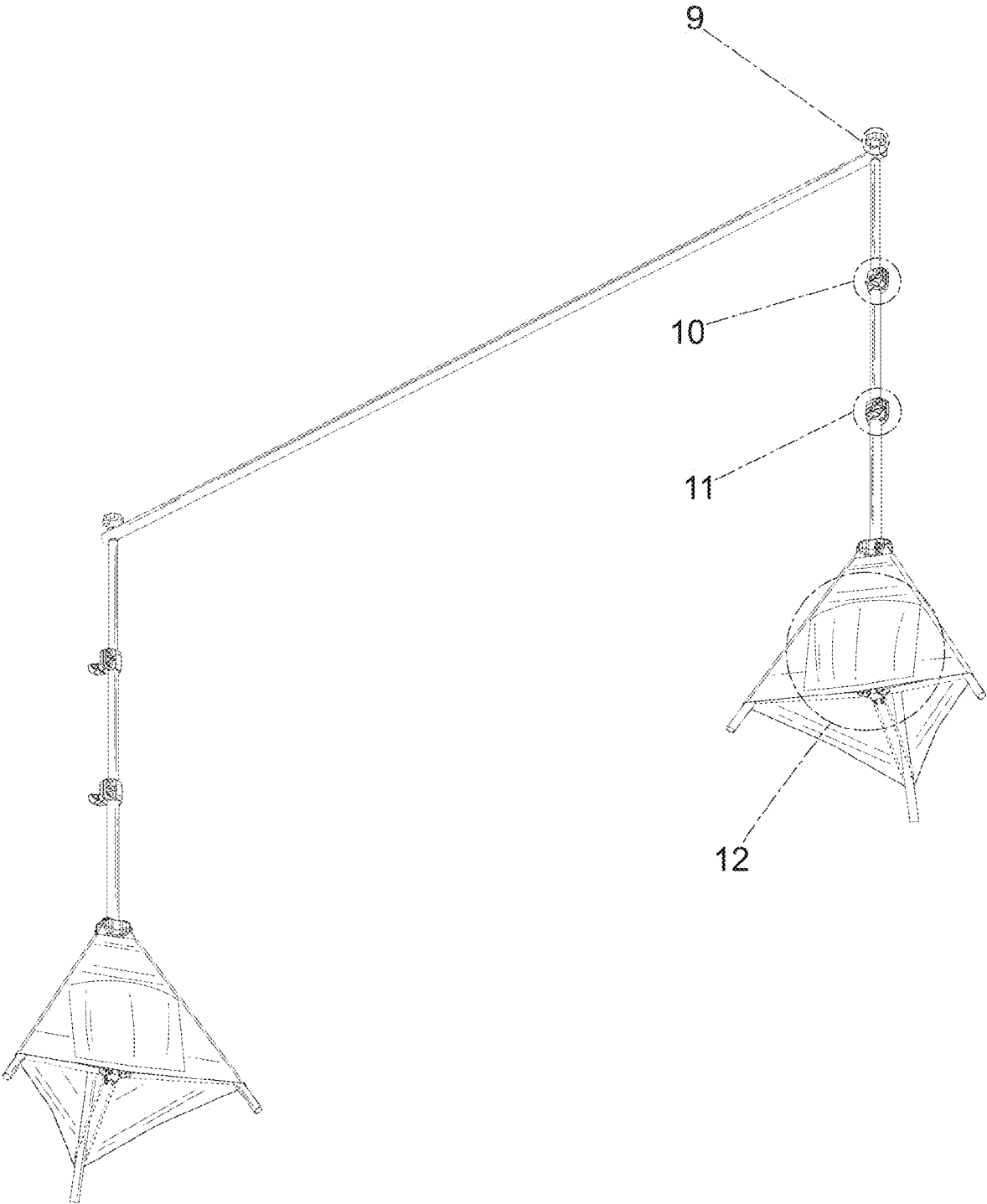


FIG. 2

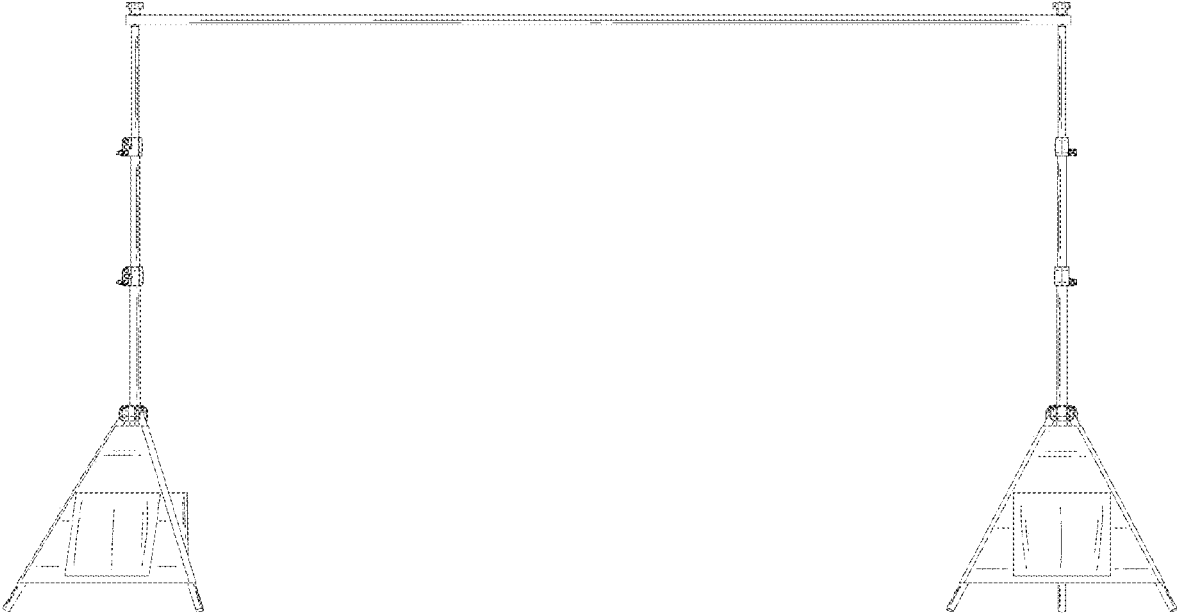


FIG. 3

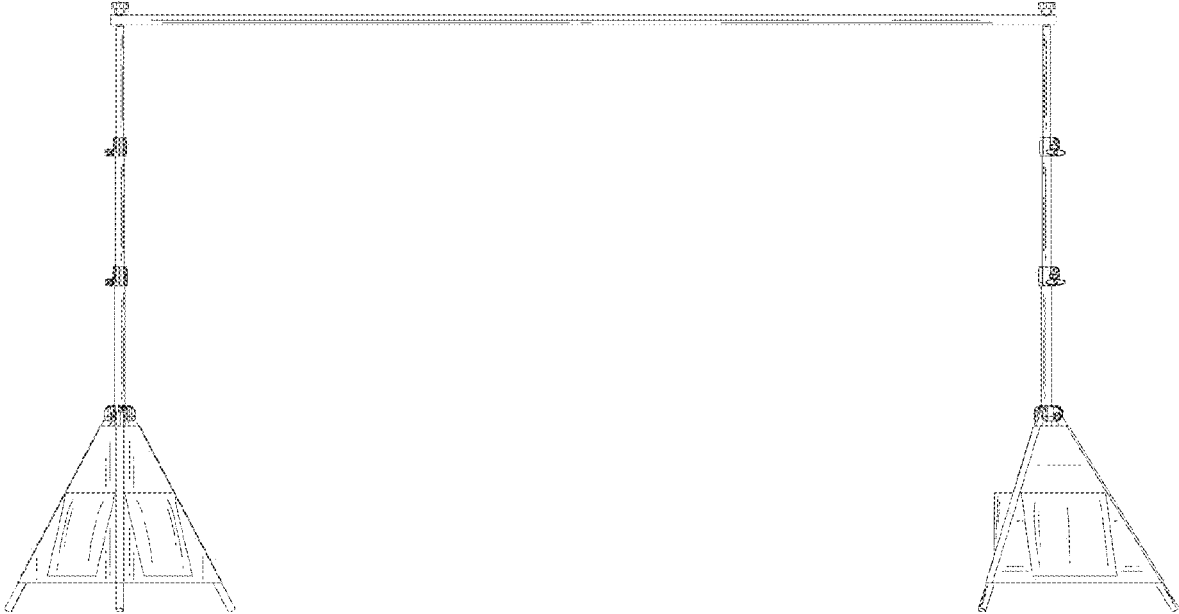


FIG. 4

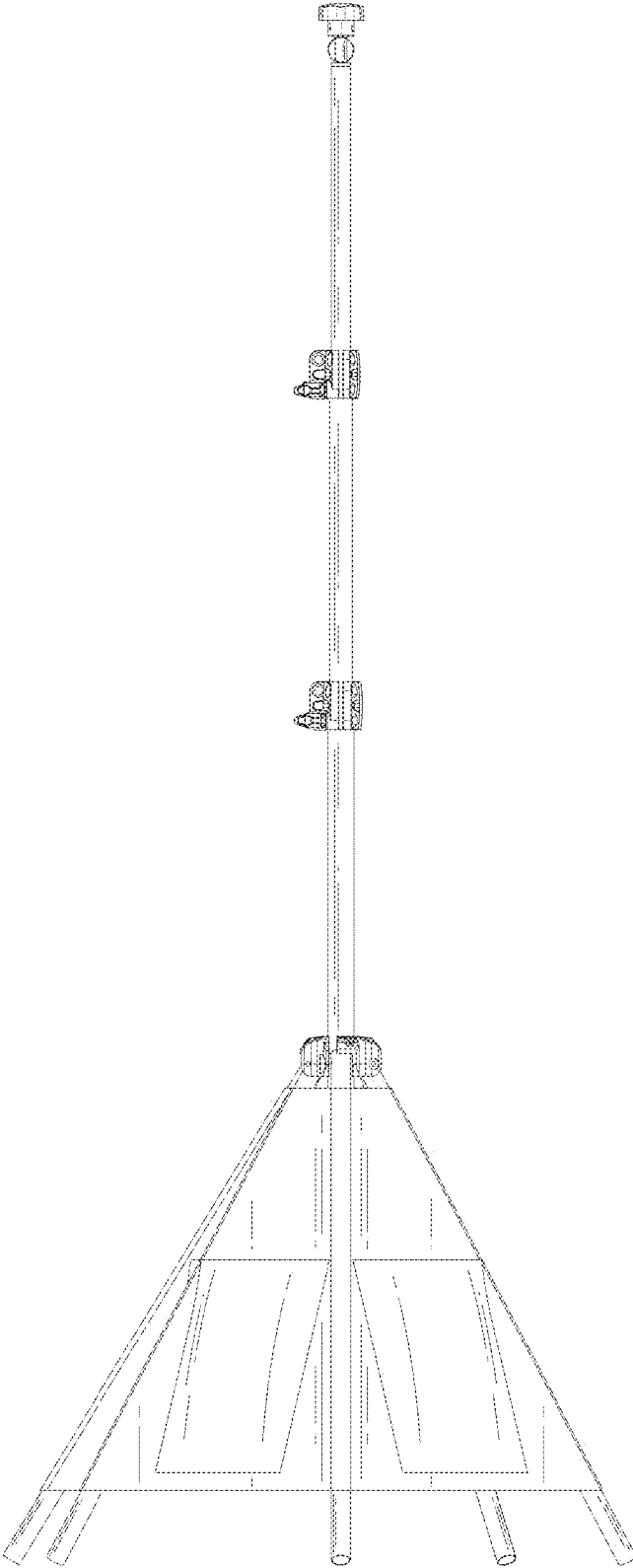


FIG. 5

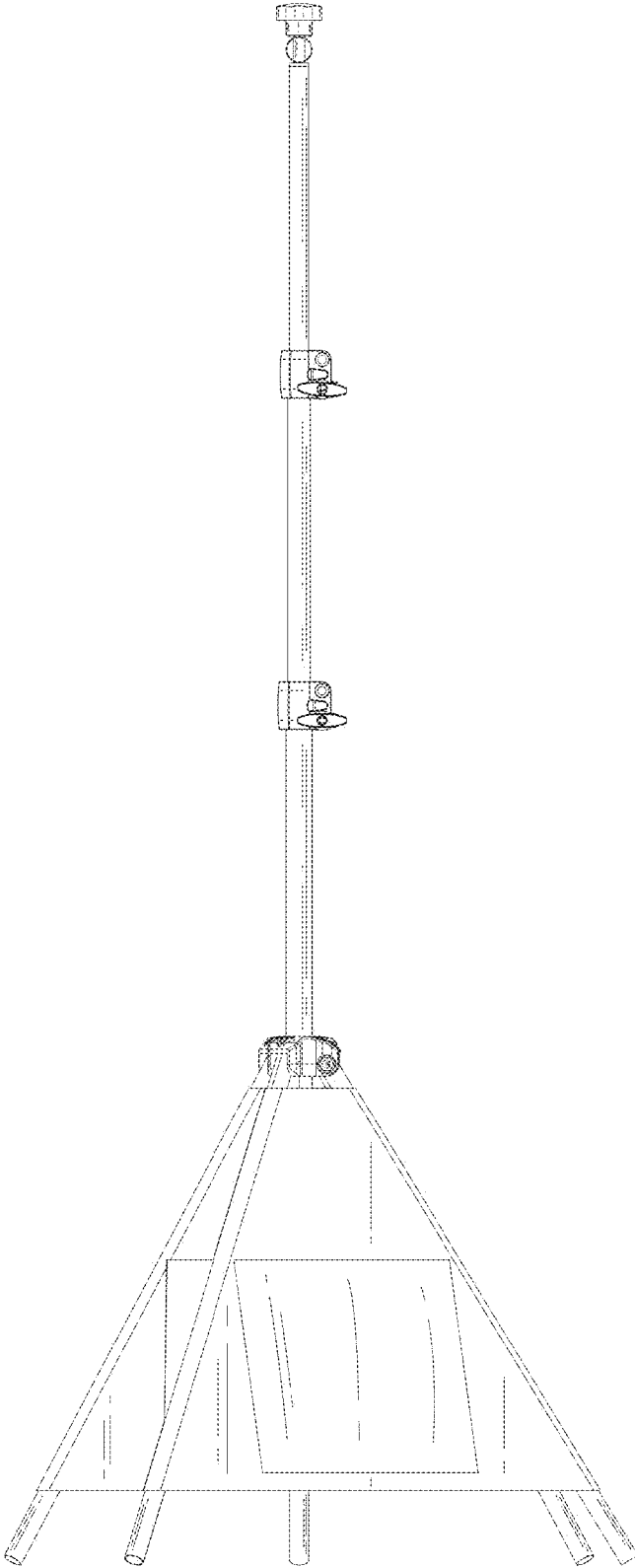


FIG. 6

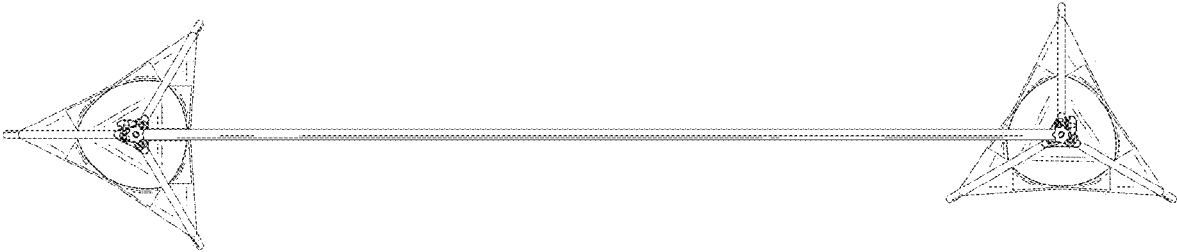


FIG. 7



FIG. 8

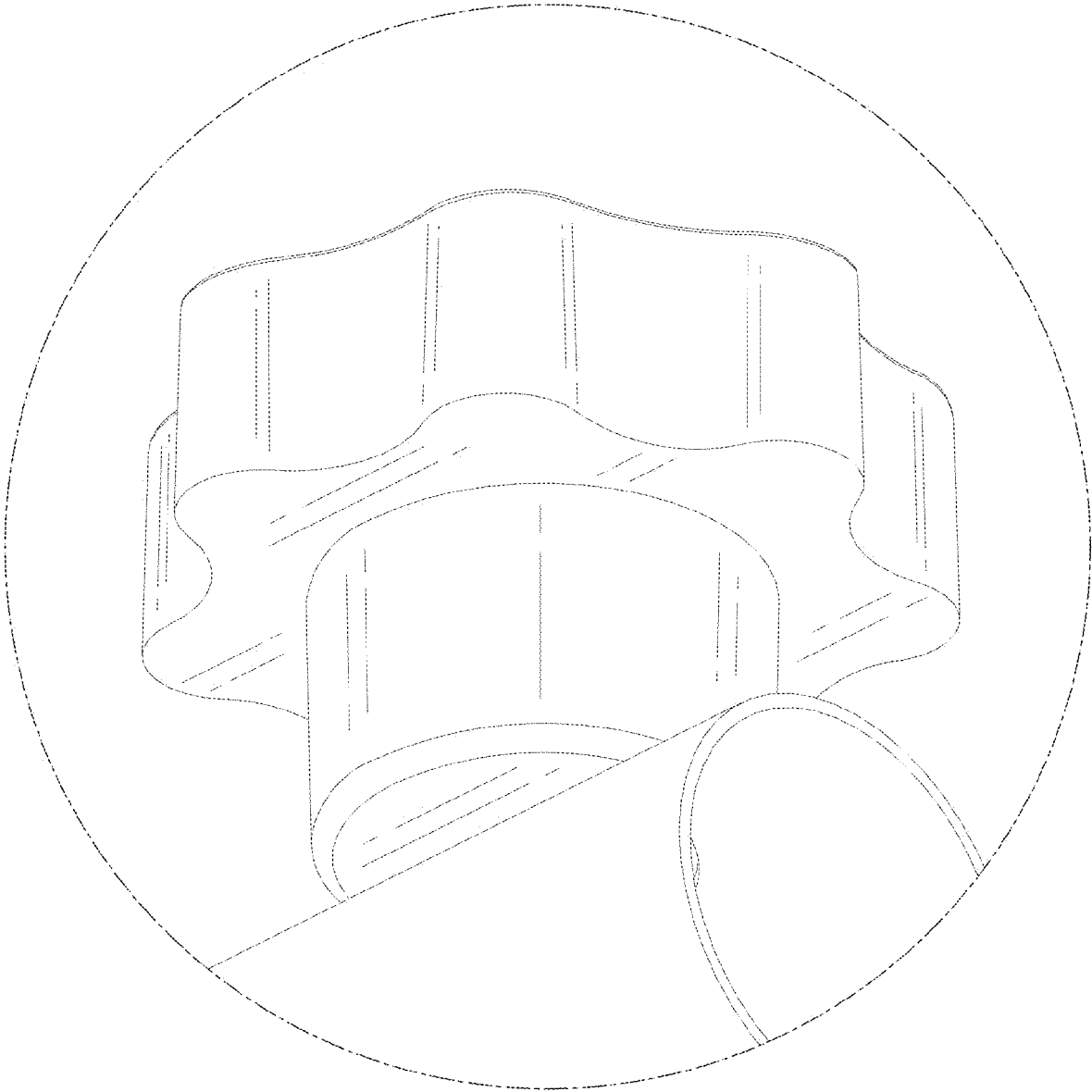


FIG. 9

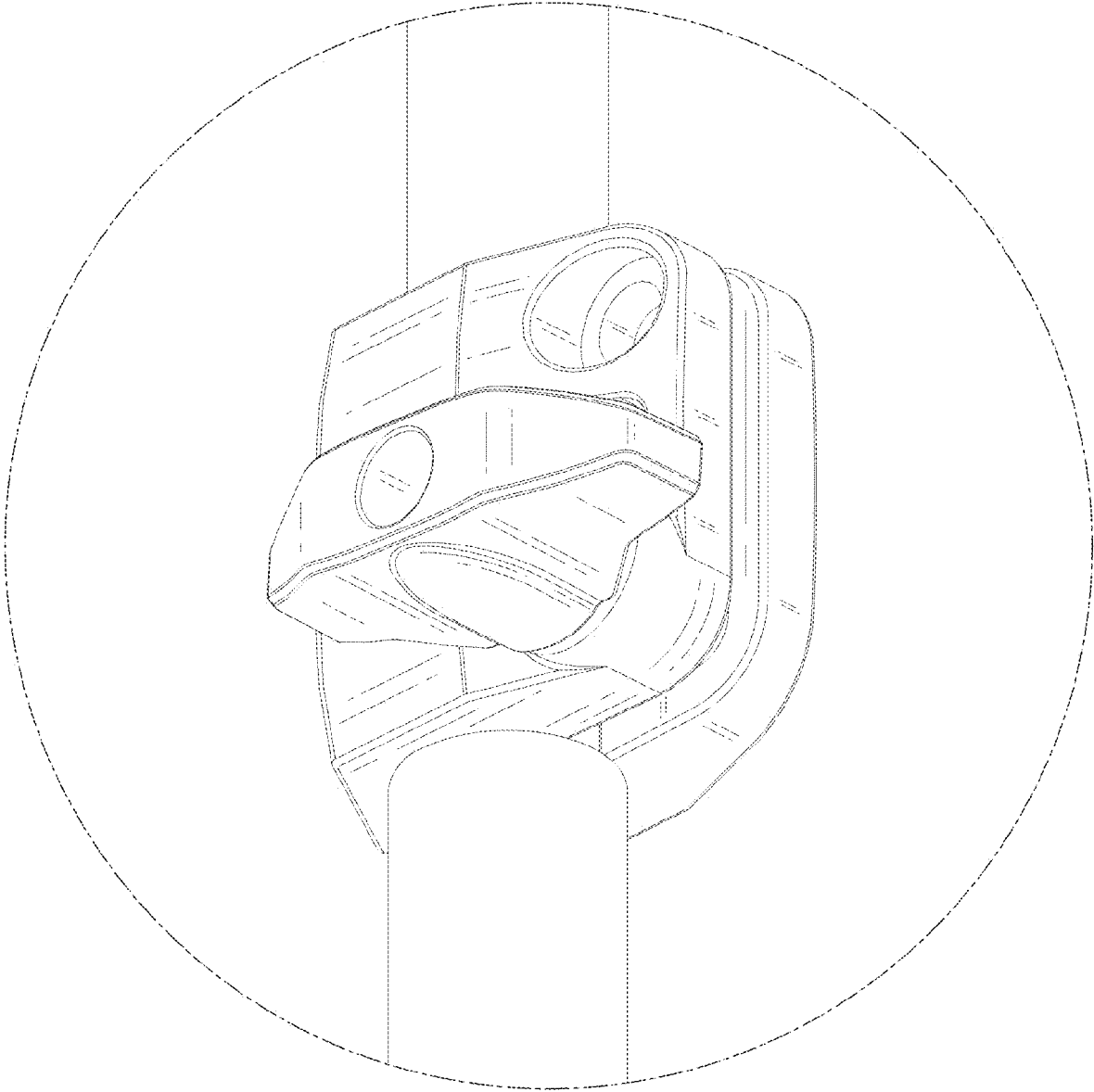


FIG. 10

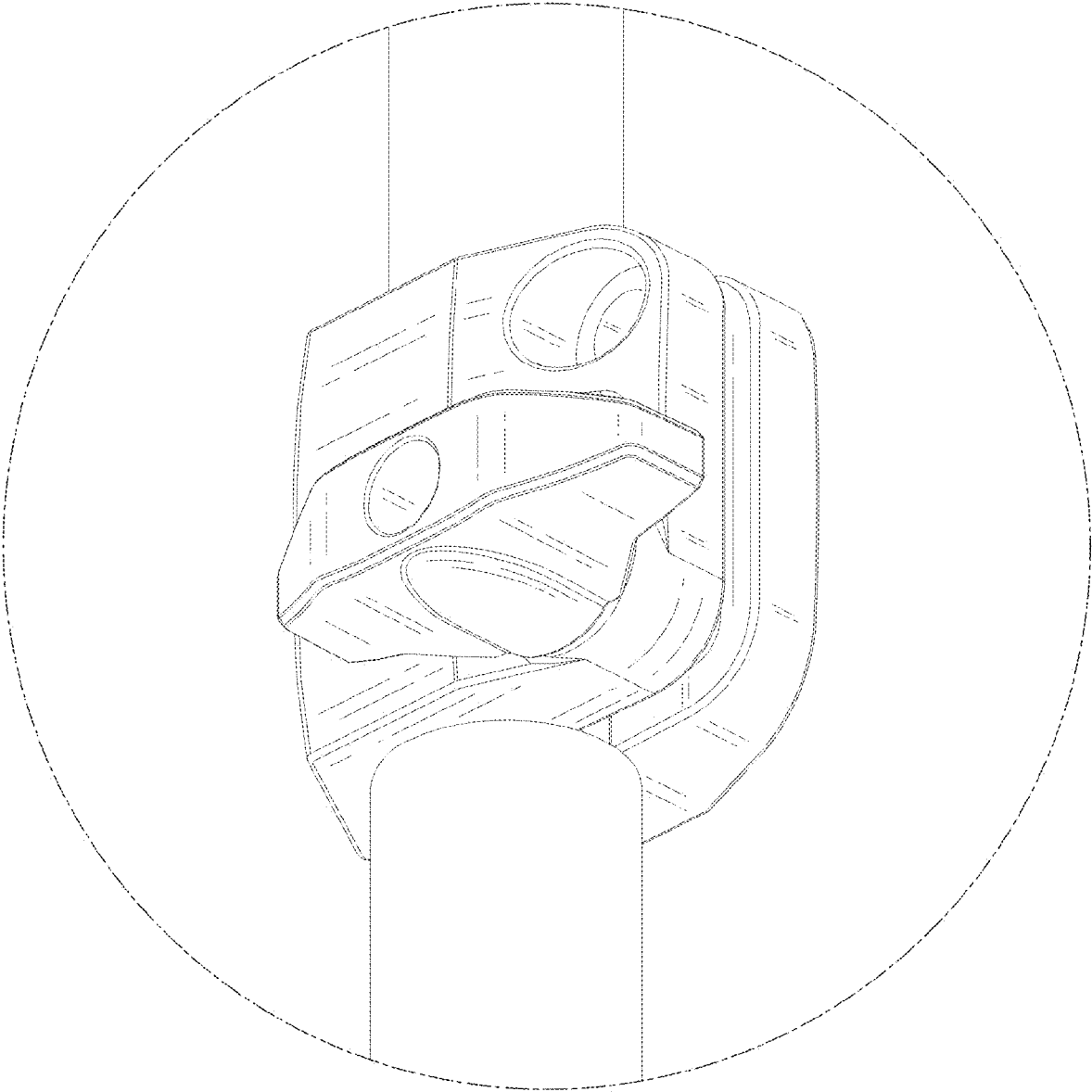


FIG. 11

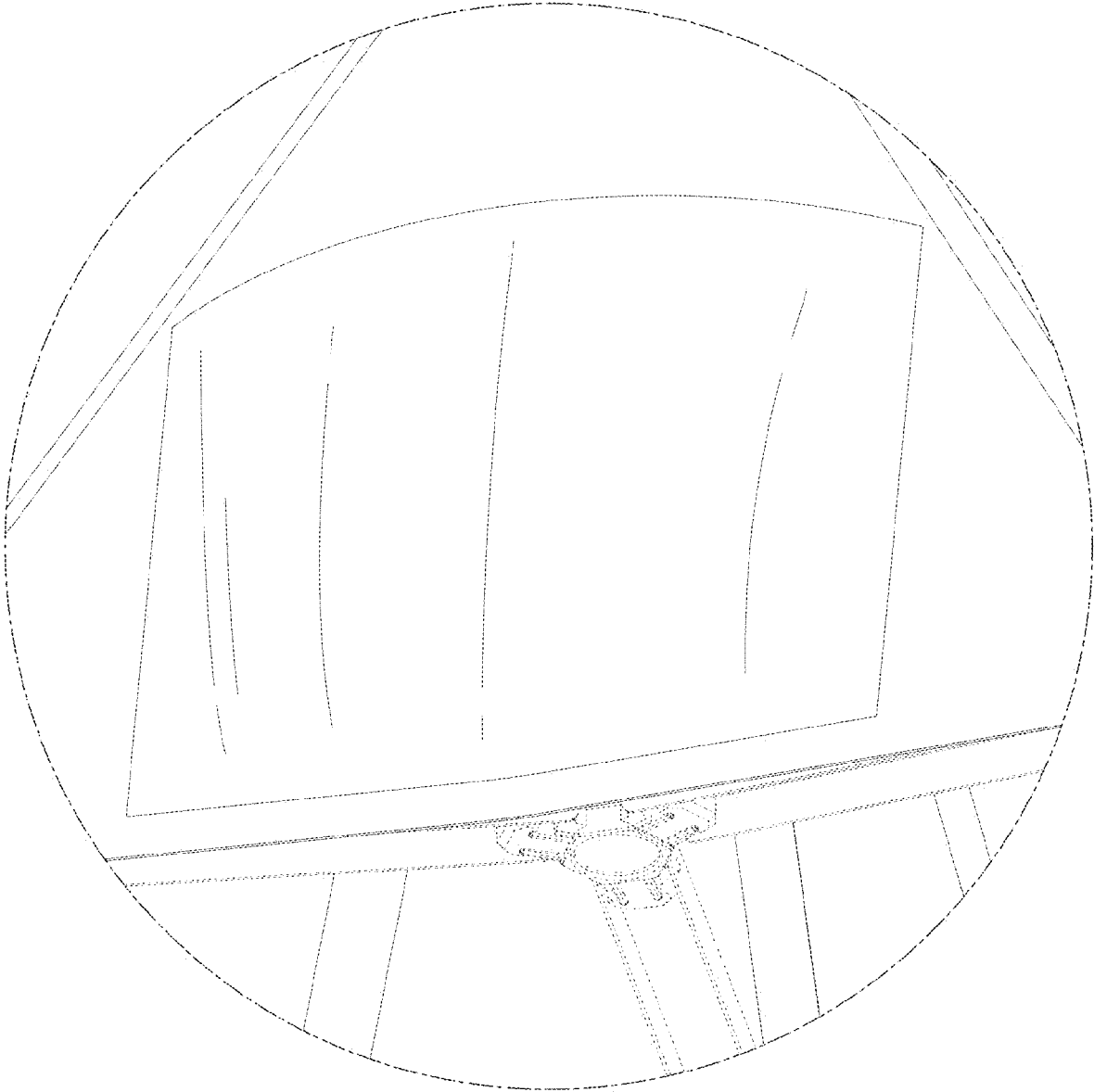


FIG. 12