



US00D582471S

(12) **United States Design Patent**
Stoddart et al.

(10) **Patent No.:** **US D582,471 S**

(45) **Date of Patent:** **** Dec. 9, 2008**

(54) **BANKNOTE SORTER**

(75) Inventors: **Sebastian C. A. Stoddart**, London
(GB); **Simon Wilkinson**, Bedfordshire
(GB); **Matthew Brown**, Surrey (GB);
David Robinson, Buckinghamshire
(GB)

(73) Assignee: **De La Rue International Limited**,
Hampshire (GB)

(**) Term: **14 Years**

(21) Appl. No.: **29/290,279**

(22) Filed: **Nov. 14, 2007**

(30) **Foreign Application Priority Data**

May 16, 2007 (EM) 000726005-0001

(51) **LOC (8) Cl.** **18-99**

(52) **U.S. Cl.** **D18/47; D18/46**

(58) **Field of Classification Search** D18/3.1,
D18/3.3, 4.1, 4.2, 4.3, 4.4, 12, 12.1, 12.2,
D18/12.3, 46, 47, 48, 49, 50, 54.1, 55; D10/46,
D10/97; 209/534; 235/379; 382/135
See application file for complete search history.

(56) **References Cited**

U.S. PATENT DOCUMENTS

2,005,021 A * 6/1935 Brasch et al. 313/239
D264,847 S * 6/1982 DiBlasio D18/3.3
D338,905 S * 8/1993 Helgeson D18/3.3
D369,984 S * 5/1996 Larsen D10/97
D377,766 S * 2/1997 Hidaka et al. D18/3.3
5,790,697 A * 8/1998 Munro et al. 382/135
D427,623 S * 7/2000 Kuwada et al. D18/3.1

D439,604 S * 3/2001 Takagi et al. D18/3.3
D452,973 S * 1/2002 Kuwada D18/3.3
D457,554 S * 5/2002 Takagi et al. D18/3.3
6,459,806 B1 * 10/2002 Raterman et al. 382/135
6,493,461 B1 * 12/2002 Mennie et al. 382/135
D477,349 S * 7/2003 Osada D18/3.1
6,908,029 B2 * 6/2005 Numata et al. 235/375
D517,115 S * 3/2006 Kuwada D18/3.3
D539,332 S * 3/2007 Gonzalez D18/3.3
D560,711 S * 1/2008 Robinson et al. D18/3.3
D562,377 S * 2/2008 Kuroda D18/3.3
2001/0006557 A1 * 7/2001 Mennie et al. 382/135
2005/0035034 A1 * 2/2005 Long et al. 209/534

* cited by examiner

Primary Examiner—Prabhakar Deshmukh

Assistant Examiner—Elizabeth J Oswecki

(74) *Attorney, Agent, or Firm*—Olliff & Berridge, PLC

(57) **CLAIM**

The ornamental design for a banknote sorter, as shown and described.

DESCRIPTION

FIG. 1 is a front perspective view of a banknote sorter;

FIG. 2 is a front view thereof;

FIG. 3 is a left side view thereof;

FIG. 4 is a right side view thereof;

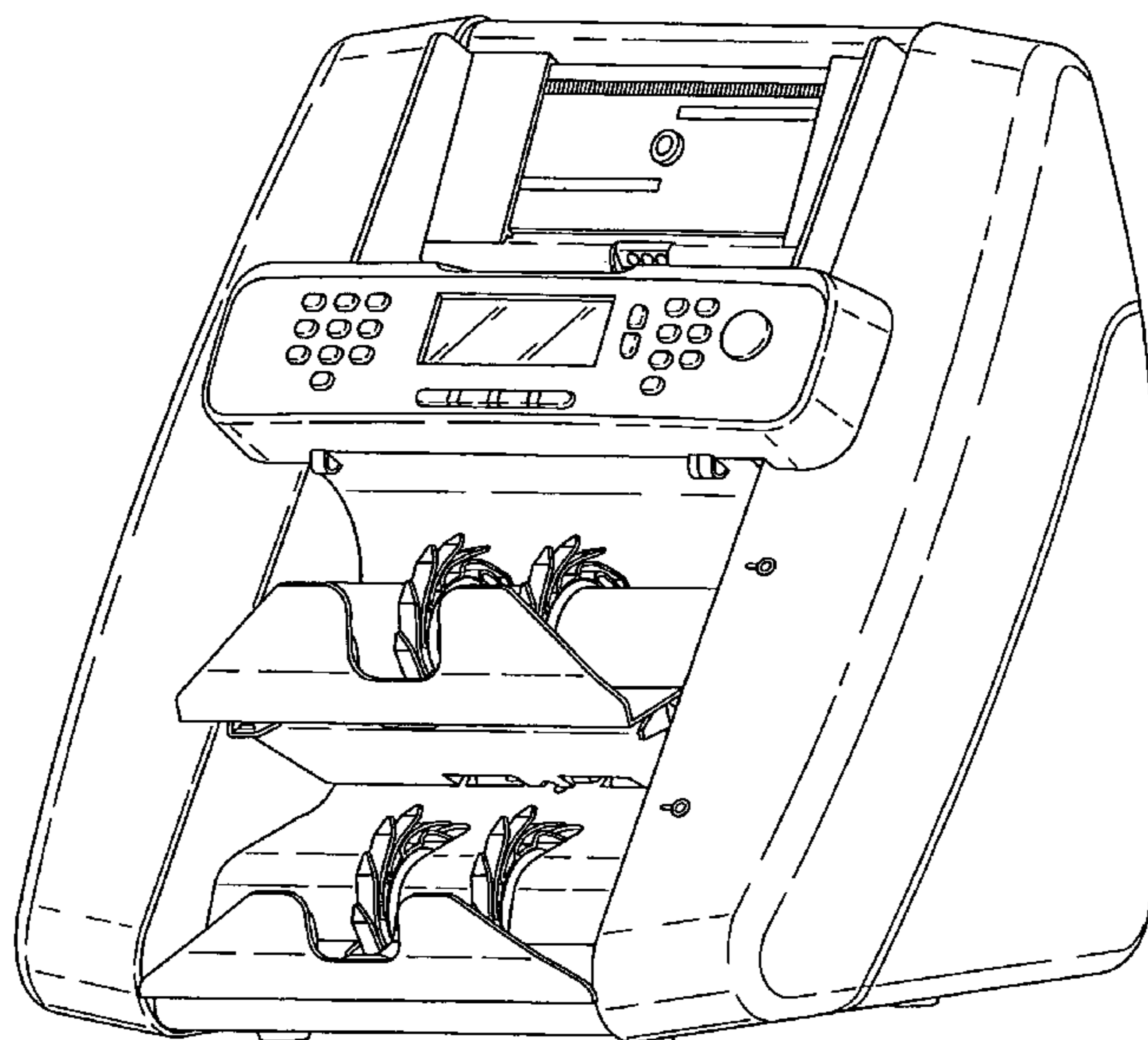
FIG. 5 is a rear view thereof;

FIG. 6 is a top view thereof; and,

FIG. 7 is a bottom view thereof.

The broken lines depict environmental subject matter only and form no part of the claimed design.

1 Claim, 7 Drawing Sheets



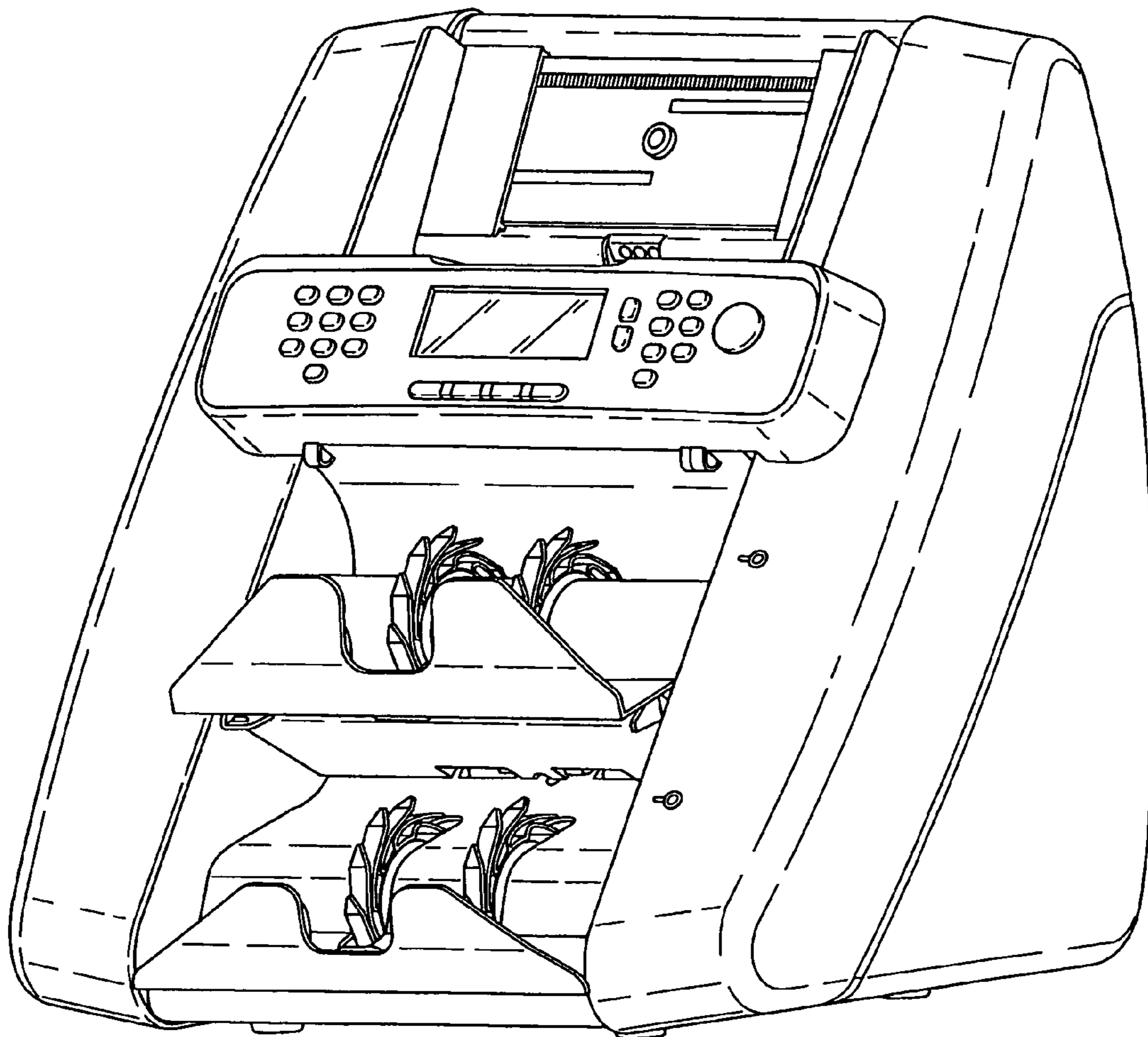


Fig. 1.

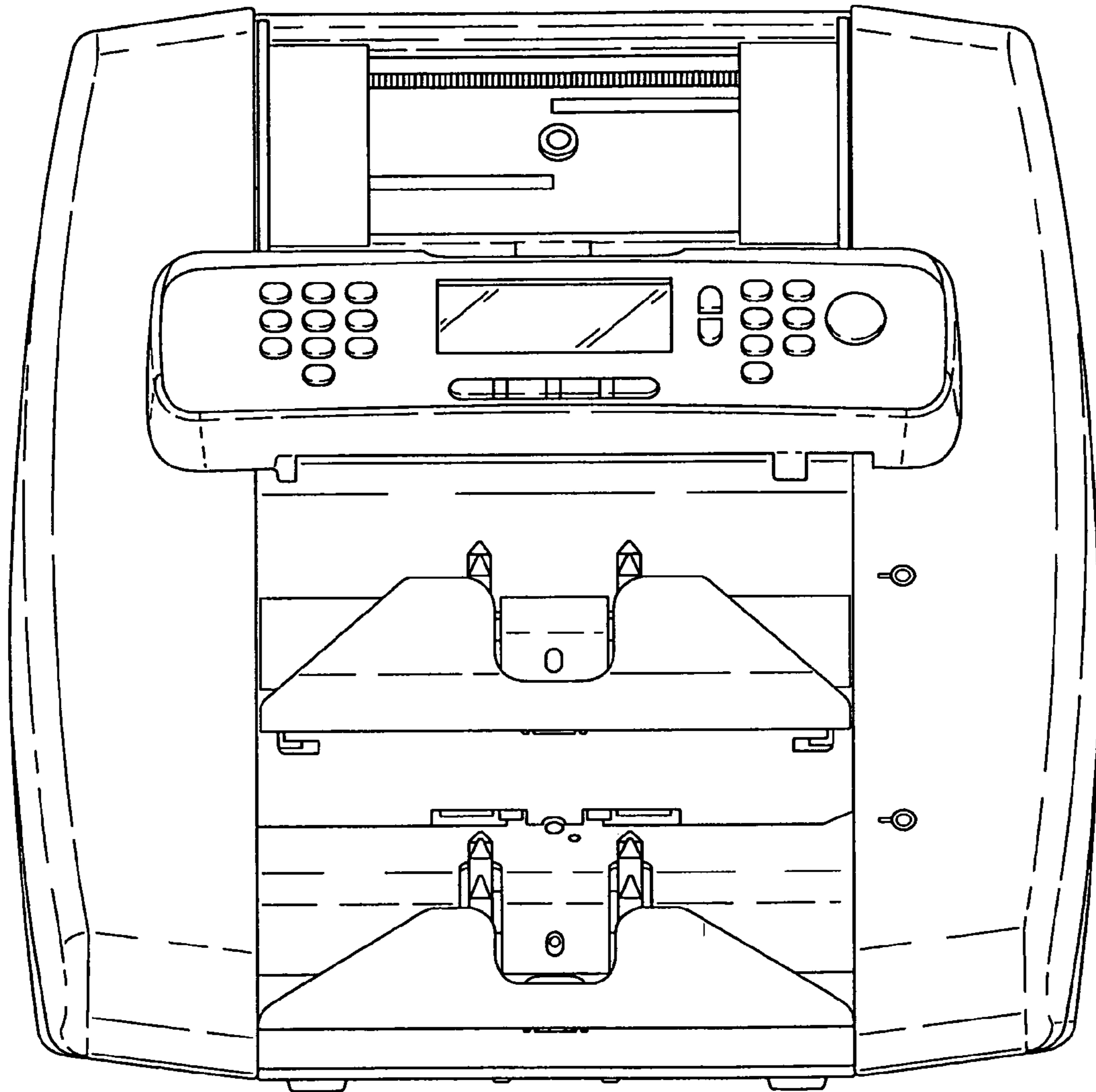


Fig.2.

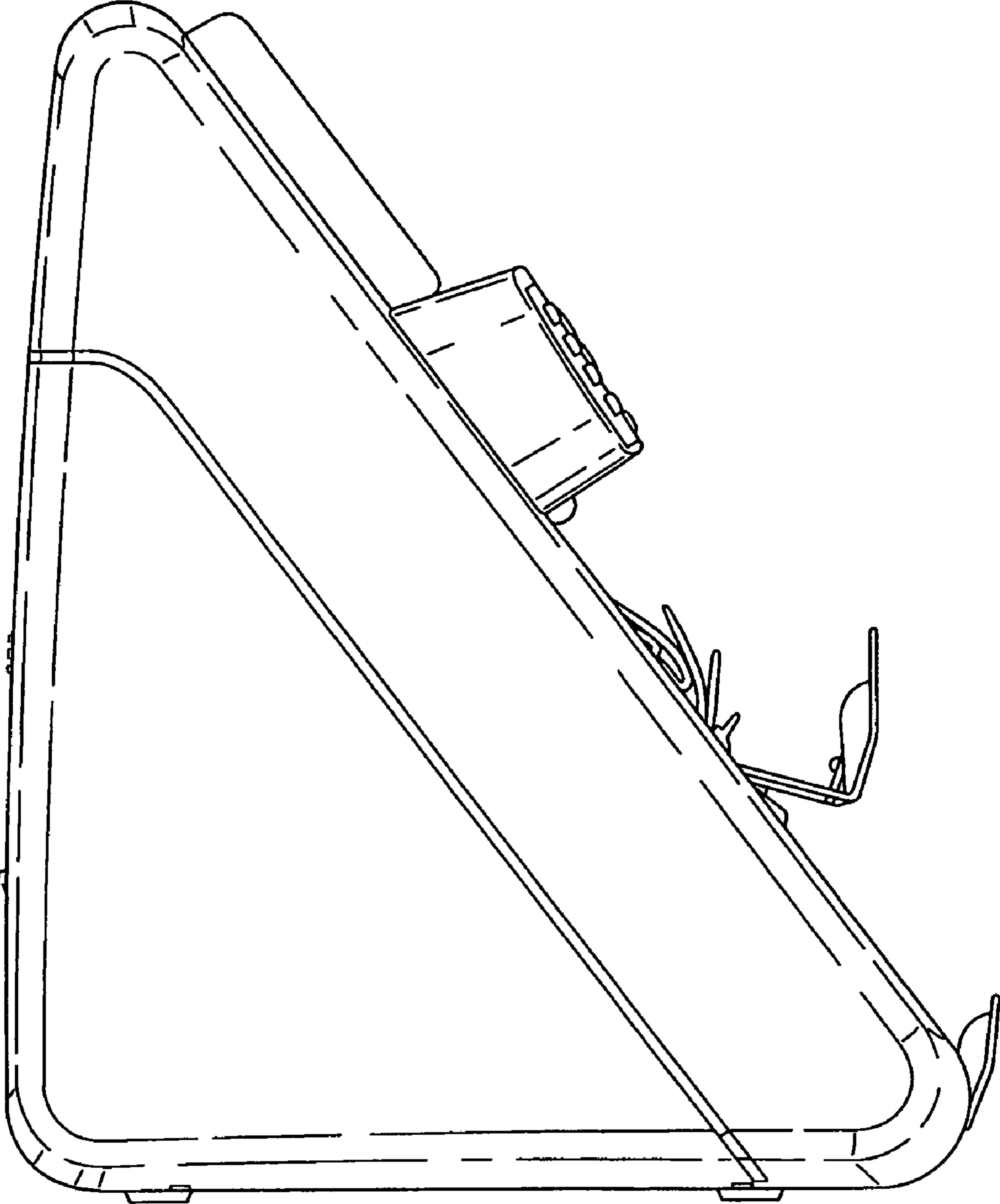


Fig.3.

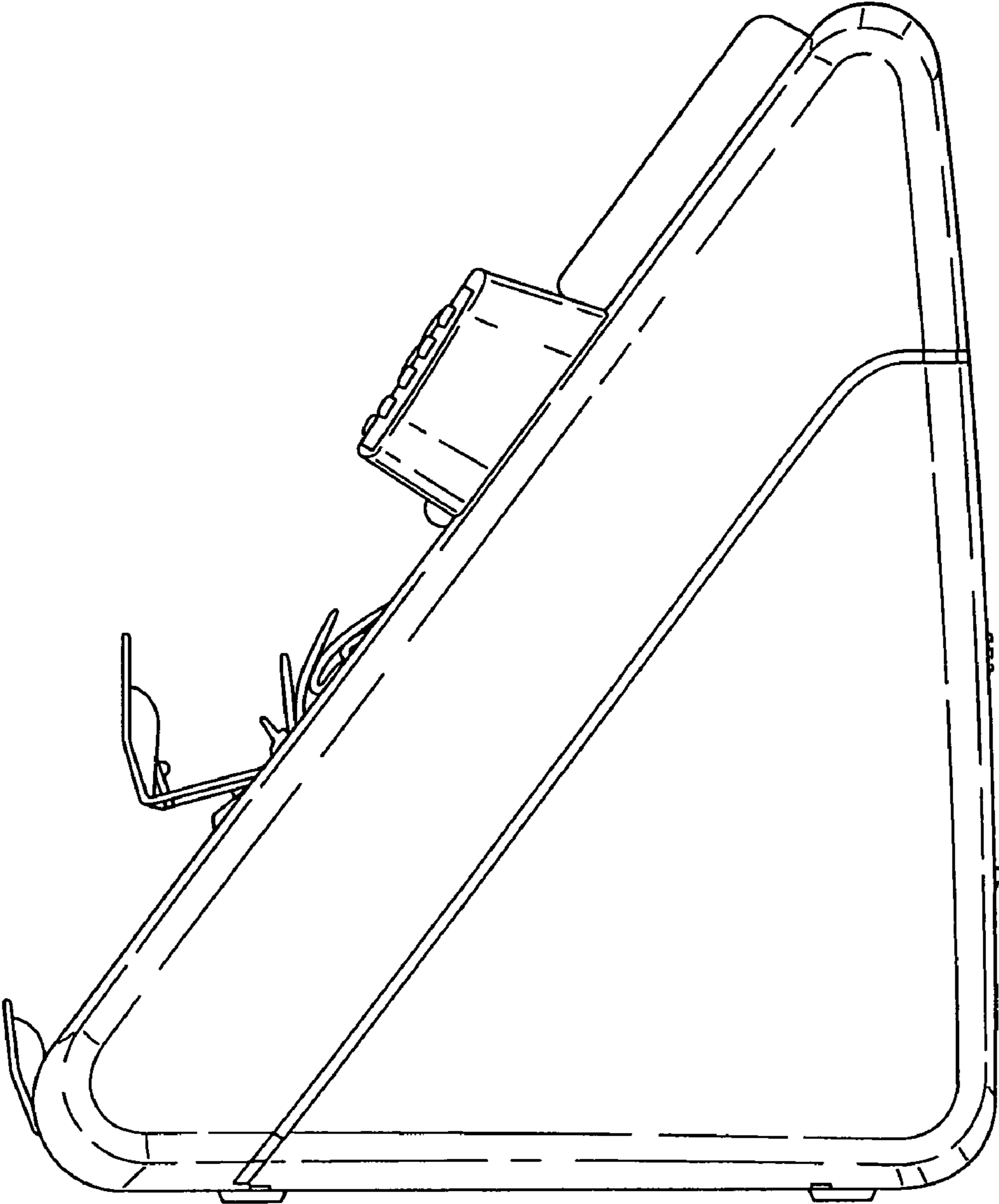


Fig.4.

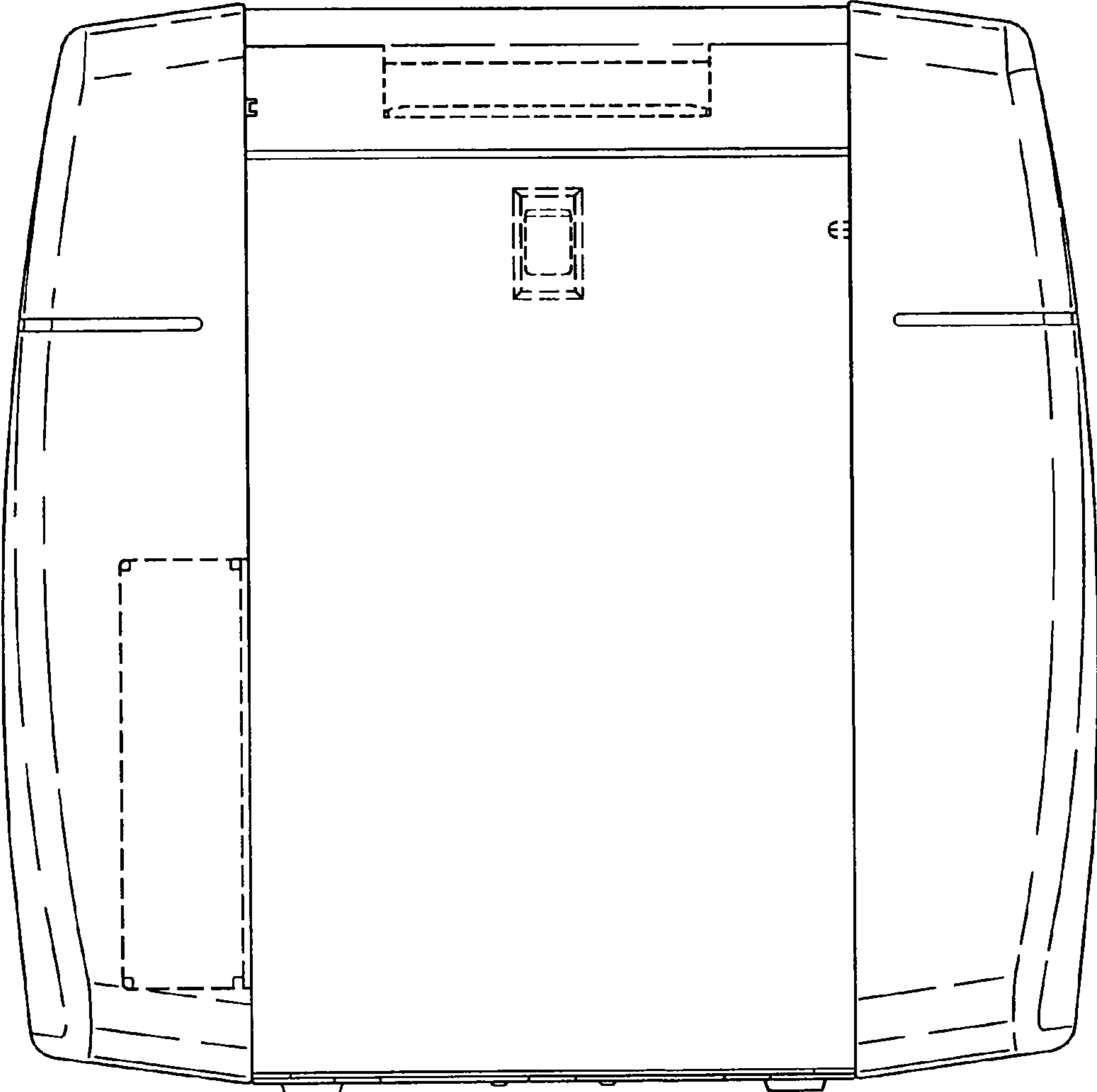


Fig.5.

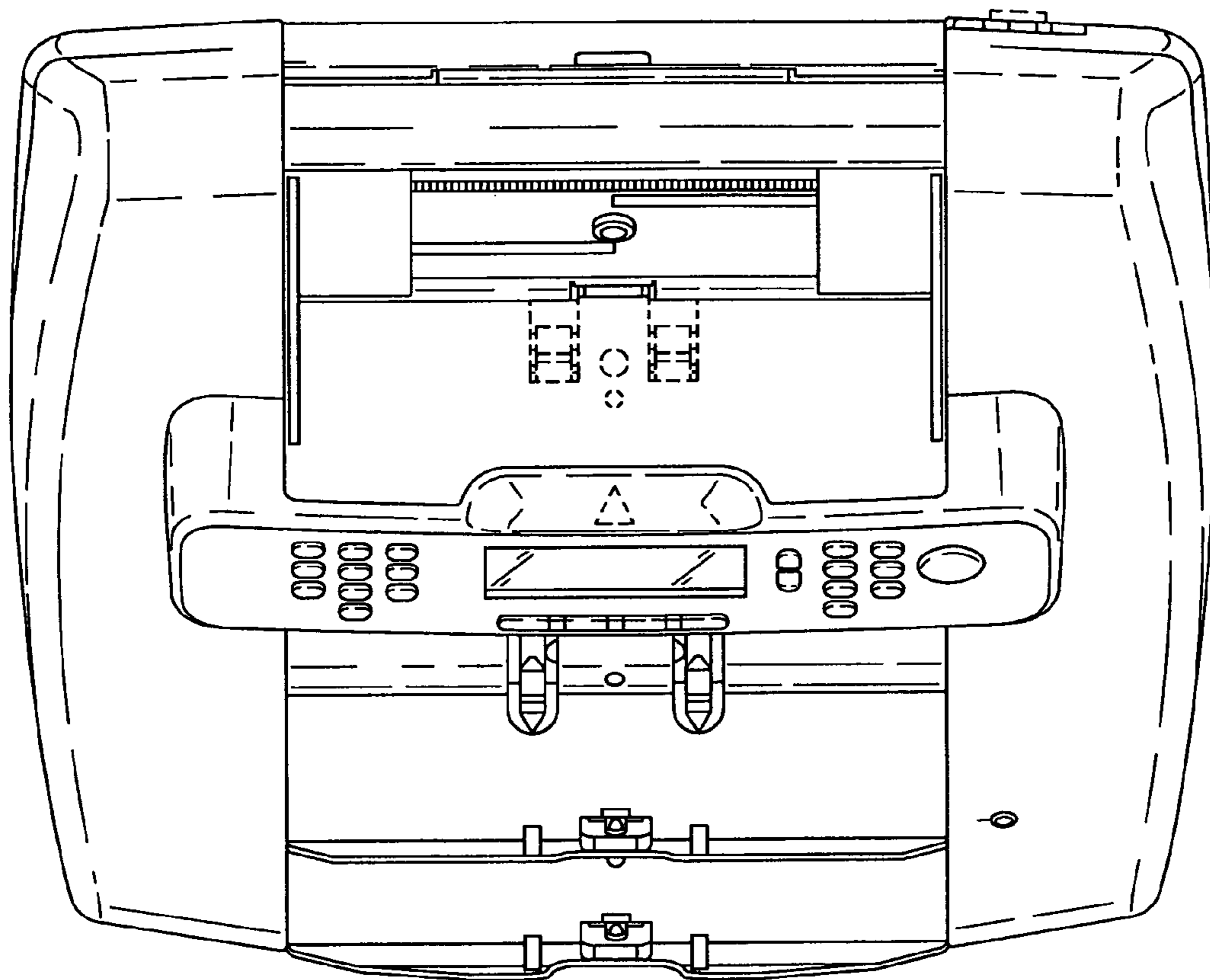


Fig.6.

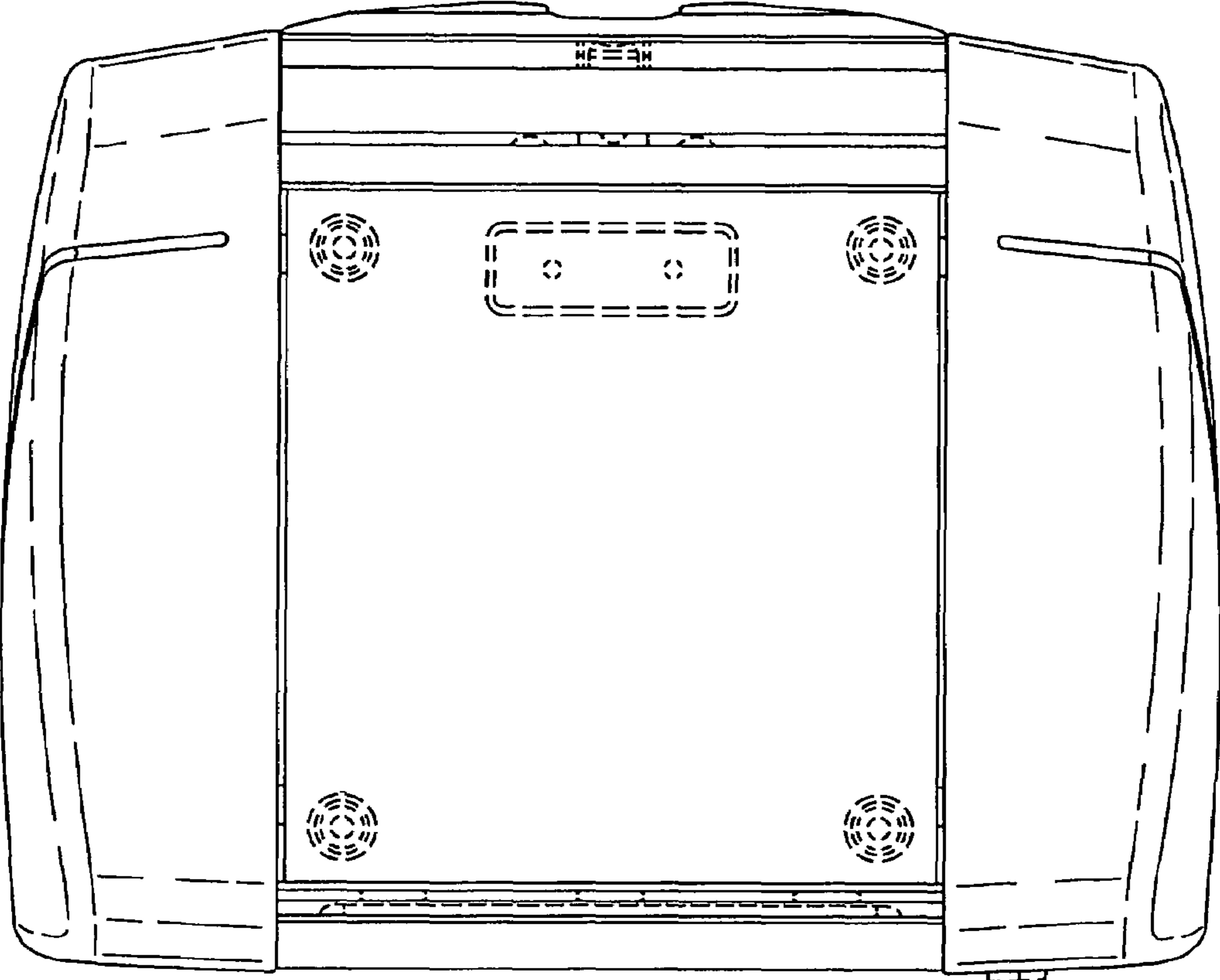


Fig.7.