



US00D450595B1

(12) **United States Design Patent**  
**Ogg et al.**

(10) **Patent No.:** **US D450,595 S**

(45) **Date of Patent:** **\*\* Nov. 20, 2001**

(54) **CONTAINER SIDEWALL**

(75) Inventors: **Richard K. Ogg**, Littlestown, PA (US);  
**David M. Melrose**, Auckland (NZ);  
**Raymond A. Pritchett**, Red Lion, PA (US)

(73) Assignee: **Graham Packaging Company, L.P.**,  
York, PA (US)

(\*\*) Term: **14 Years**

(21) Appl. No.: **29/131,370**

(22) Filed: **Oct. 19, 2000**

(51) **LOC (7) Cl.** ..... **09-01**

(52) **U.S. Cl.** ..... **D9/537; D9/540; D9/557**

(58) **Field of Search** ..... D9/516, 530, 531,  
D9/537, 538, 539, 541, 542, 549, 556,  
557, 558, 559, 569, 570, 574, 434; 215/381-384

(56) **References Cited**

**U.S. PATENT DOCUMENTS**

D. 294,462	*	3/1988	Ota et al. ....	D9/556
D. 344,457		2/1994	Prevot et al. ....	D9/537
D. 354,685	*	1/1995	Krishnakumar et al. ....	D9/543
D. 366,417	*	1/1996	Semersky ....	D9/434
D. 382,807	*	8/1997	Silvers et al. ....	D9/520
D. 385,497	*	10/1997	Krishnakumar et al. ....	D9/543
D. 393,210	*	4/1998	Ewing, Jr. ....	D9/543
D. 419,872		2/2000	Lane ....	D9/434
D. 420,587	*	2/2000	Cheng et al. ....	D9/434
D. 423,936	*	5/2000	Smith et al. ....	D9/520
D. 424,446	*	5/2000	Silvers et al. ....	D9/520
D. 425,425	*	5/2000	Silvers et al. ....	D9/520
D. 428,815	*	8/2000	Mooney et al. ....	D9/520
D. 429,164		8/2000	Peek et al. ....	D9/540
D. 431,470	*	10/2000	Henderson ....	D9/520
D. 442,866	*	5/2001	Mooney et al. ....	D9/520
4,993,565		2/1991	Ota et al. ....	215/1 C
5,054,632	*	10/1991	Alberghini et al. ....	215/381
5,141,120		8/1992	Brown et al. ....	215/1 C
5,141,121		8/1992	Brown et al. ....	215/100 A

5,148,930	*	9/1992	Ota et al. ....	215/384
5,199,588	*	4/1993	Hayashi ....	215/381
5,279,433	*	1/1994	Krishnakumar et al. ....	215/381
5,341,946	*	8/1994	Vaillencourt et al. ....	215/381
5,392,937		2/1995	Prevot et al. ....	215/1 C
5,472,105		12/1995	Krishnakumar et al. ....	215/384
5,598,941		2/1997	Semersky et al. ....	215/384
5,758,790		6/1998	Ewing, Jr. ....	215/384
6,164,474	*	12/2000	Cheng et al. ....	215/384
6,223,920	*	5/2001	Lane et al. ....	215/384

**FOREIGN PATENT DOCUMENTS**

WO 00/50309 8/2000 (WO) .

\* cited by examiner

*Primary Examiner*—Ted Shooman

*Assistant Examiner*—Carol Rademaker

(74) *Attorney, Agent, or Firm*—Howson and Howson

(57) **CLAIM**

The ornamental design for the container sidewall, as shown and described.

**DESCRIPTION**

FIG. 1 is a left side elevational view of the container sidewall of our new design, the right side elevational view being a mirror image thereof;

FIG. 2 is a cross-sectional view of the container sidewall shown in FIG. 1 taken along line 2—2;

FIG. 3 is a cross-sectional view of the container sidewall shown in FIG. 1 taken along line 3—3;

FIG. 4 is a cross-sectional view of the container sidewall shown in FIG. 1 taken along line 4—4;

FIG. 5 is a front elevational view of the container sidewall;

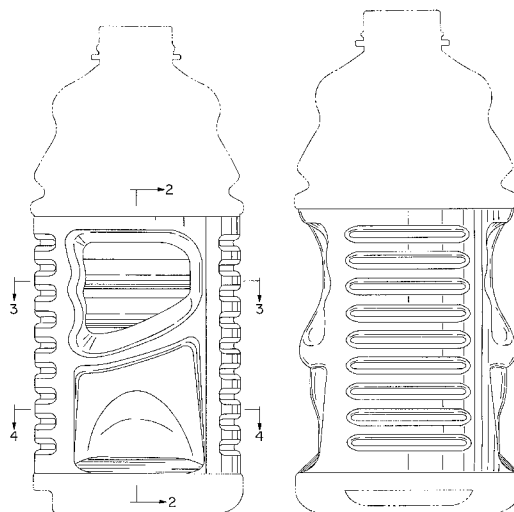
FIG. 6 is a rear elevational view of the container sidewall;

FIG. 7 is a top plan view of the container sidewall; and,

FIG. 8 is a bottom plan view of the container sidewall.

The broken line showing of the dome and base of the container FIGS. 1, 2 and 5-8 is for illustrative purposes only and forms no part of the claimed design.

**1 Claim, 6 Drawing Sheets**



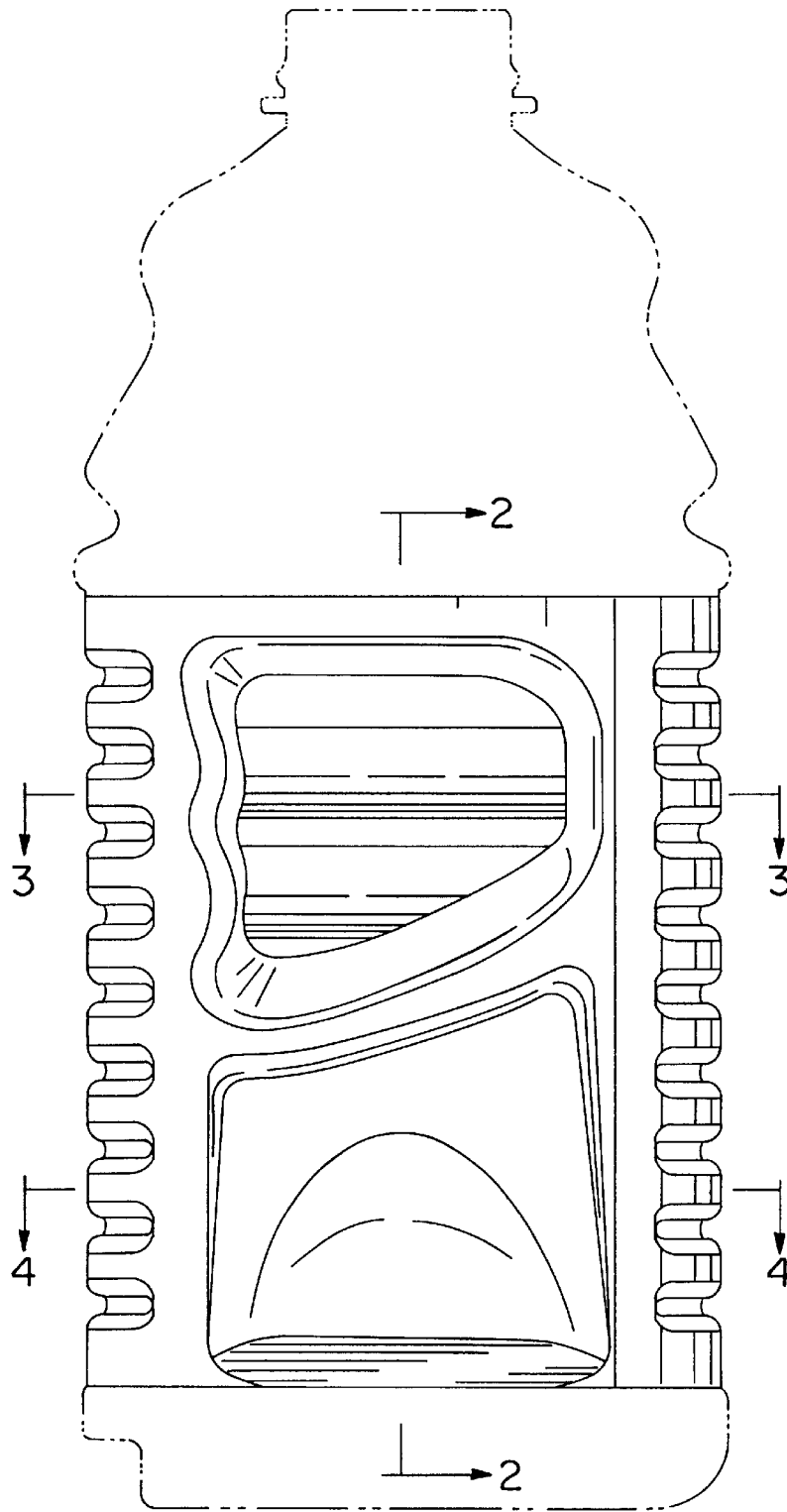


FIG. 1

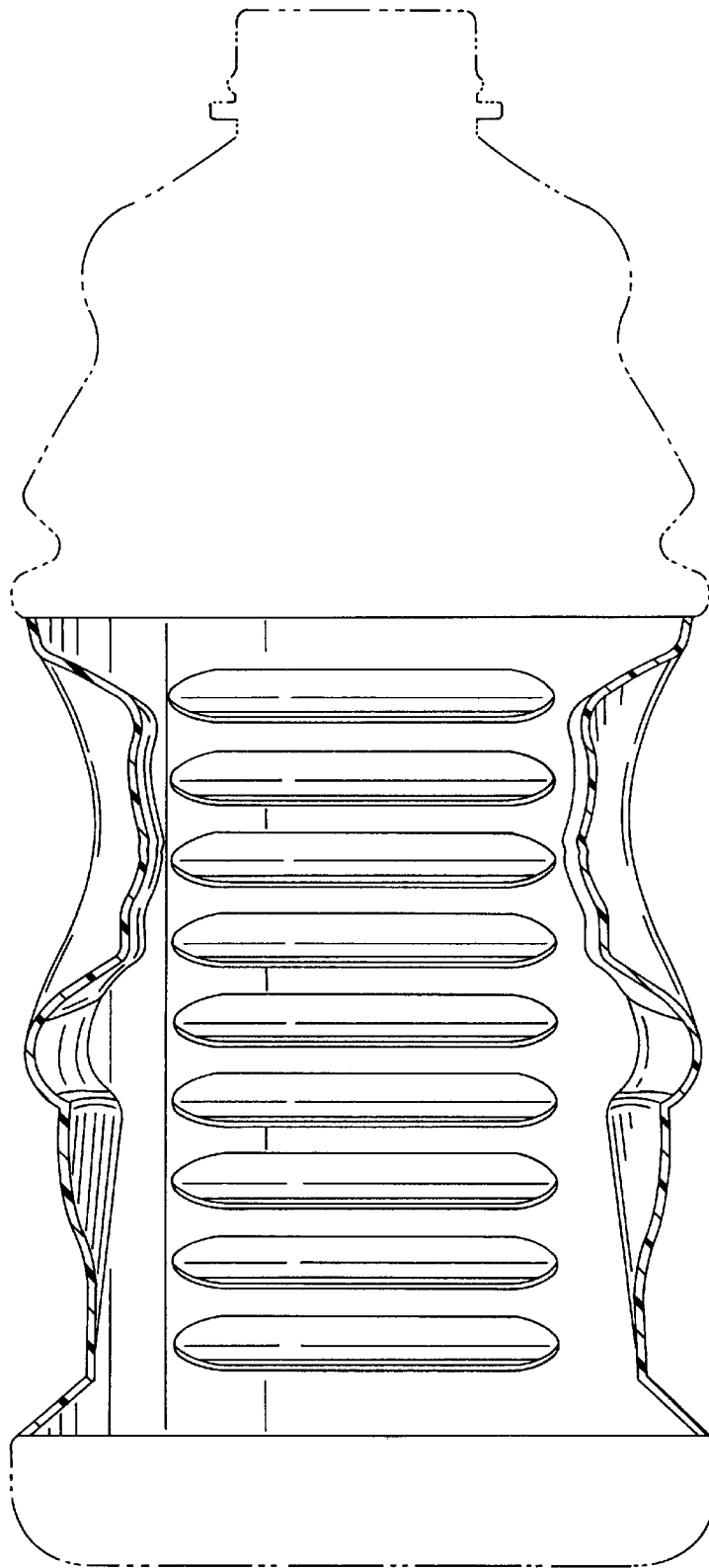


FIG. 2

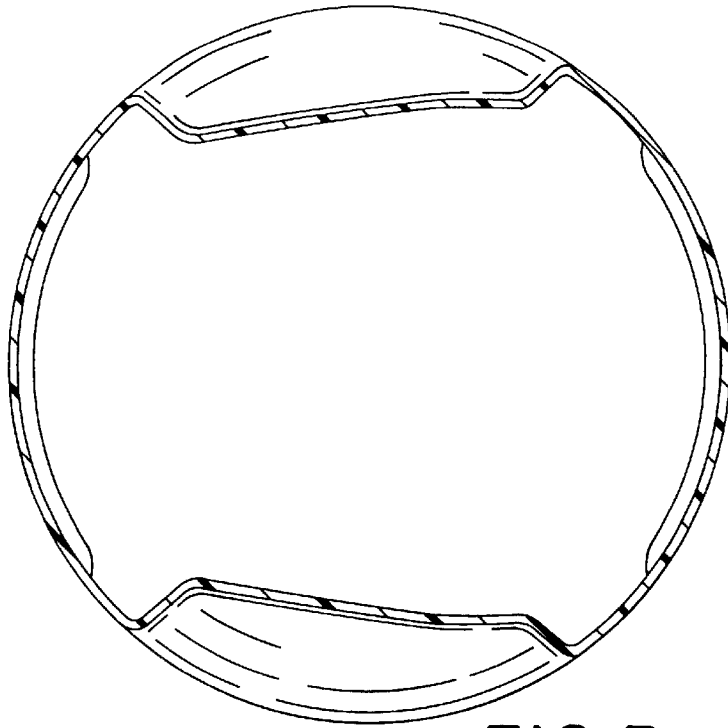


FIG. 3

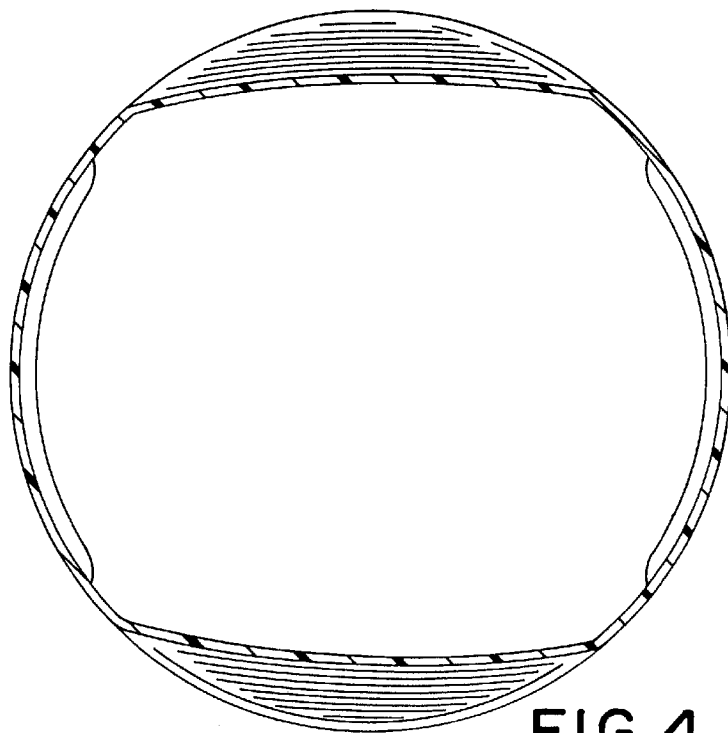


FIG. 4

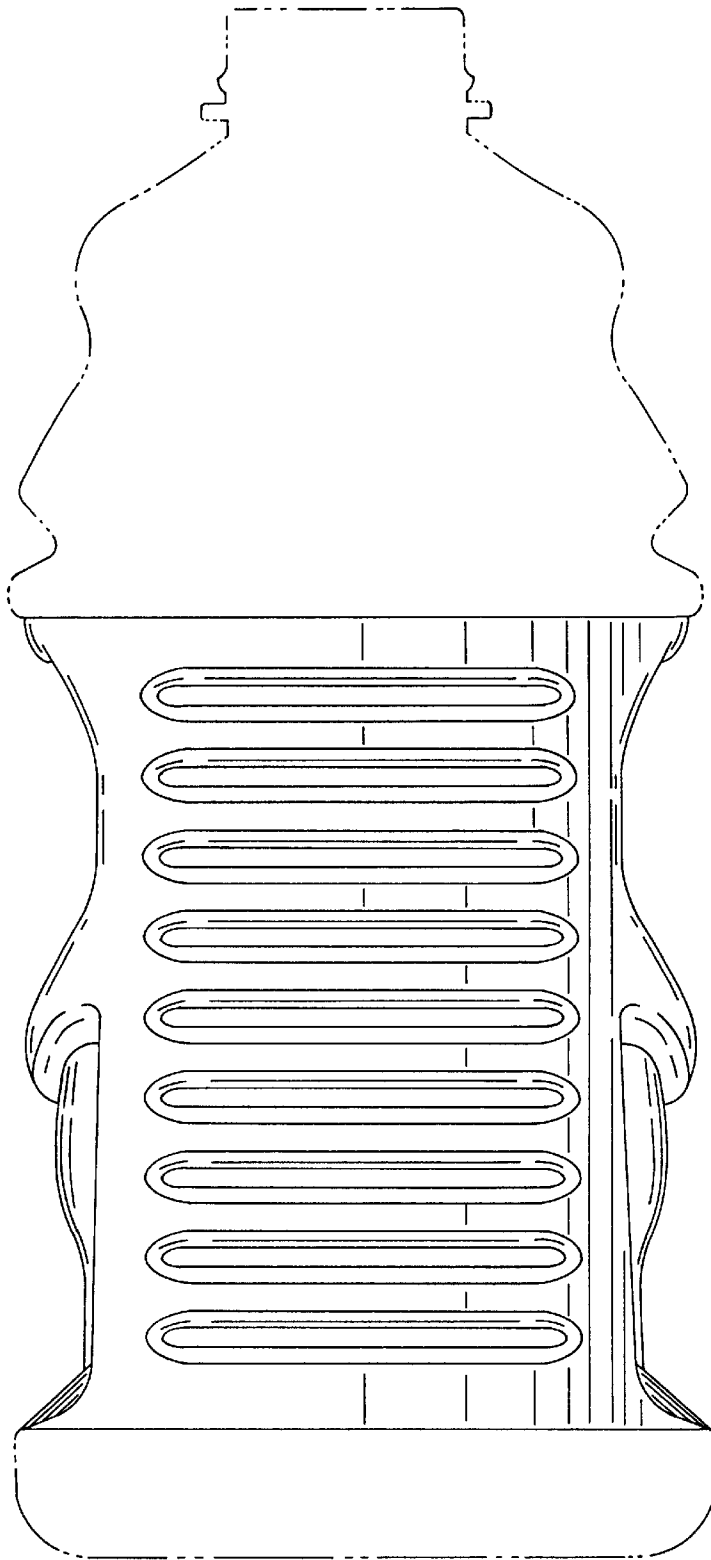


FIG. 5

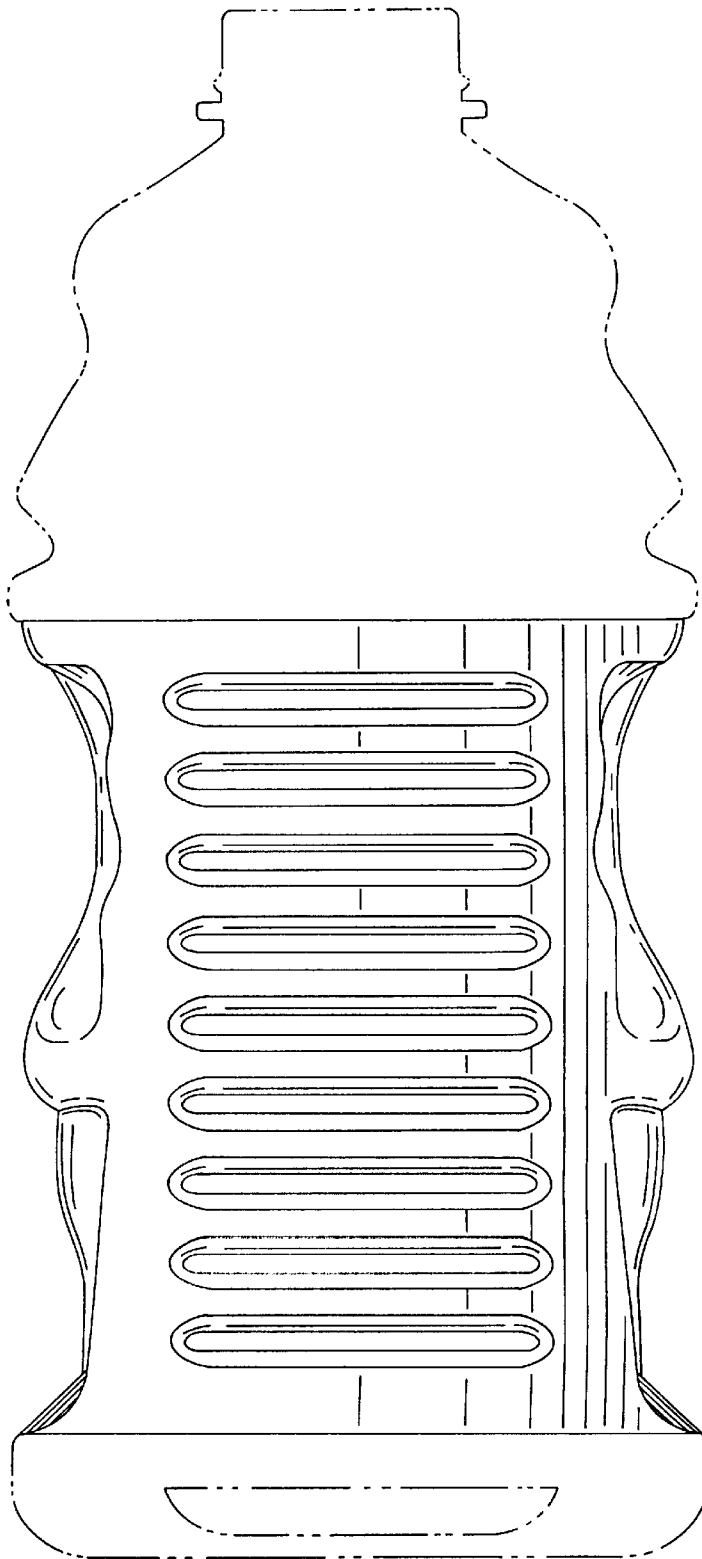


FIG. 6

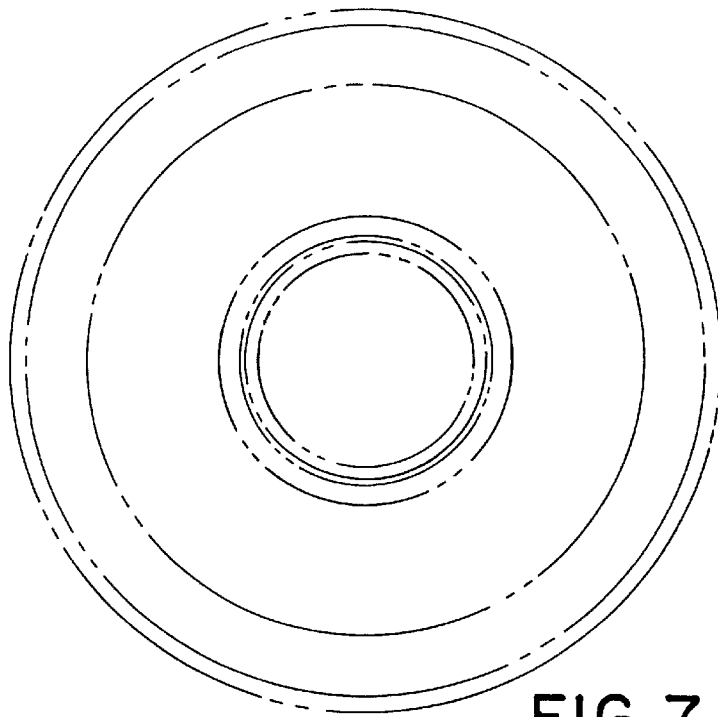


FIG. 7

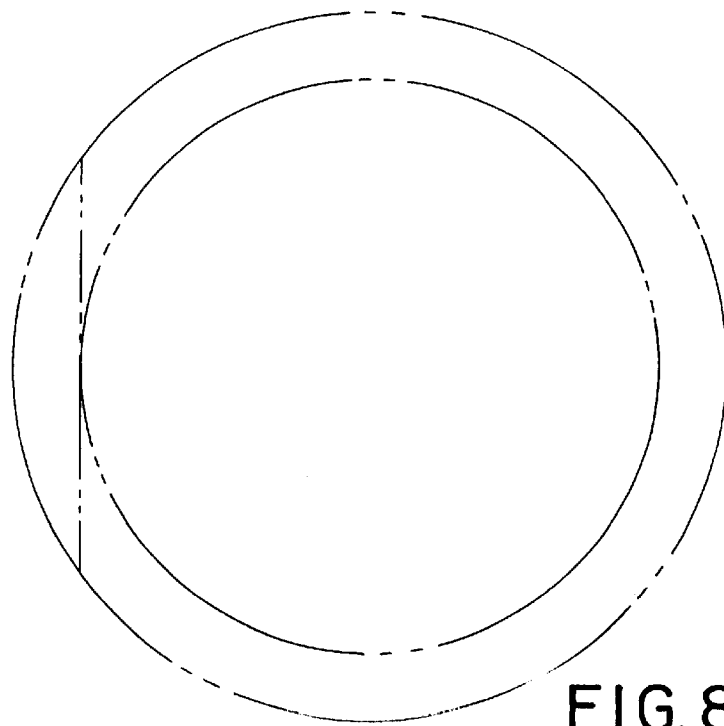


FIG. 8