



US0D1021558S

(12) **United States Design Patent**
Zeng

(10) **Patent No.:** **US D1,021,558 S**

(45) **Date of Patent:** **** Apr. 9, 2024**

(54) **WHEELED COOLER**

(71) Applicant: **Shan Zeng**, Rancho Cucamonga, CA (US)

(72) Inventor: **Shan Zeng**, Rancho Cucamonga, CA (US)

(**) Term: **15 Years**

(21) Appl. No.: **29/914,437**

(22) Filed: **Oct. 18, 2023**

(51) **LOC (14) Cl.** **07-10**

(52) **U.S. Cl.**
USPC **D7/605**

(58) **Field of Classification Search**
USPC D7/605, 606, 607, 608, 619.1, 629;
D3/272, 273, 279, 294; D15/83
CPC A45C 11/20; A47J 41/022; A47G 19/2288;
B62B 1/12; B62B 1/125; B62B 3/00;
B62B 3/007; B62B 7/12; B62B 5/067;
B62B 5/0083; B62B 2202/404; B65D
81/38; B65D 81/3823; F25D 3/06; F25D
3/08; F25D 3/14; F25D 2400/38
See application file for complete search history.

(56) **References Cited**

U.S. PATENT DOCUMENTS

D328,221 S	7/1992	Piccarillo	
D366,599 S	1/1996	Brown et al.	
D370,159 S *	5/1996	Fenton	D7/605
5,683,097 A *	11/1997	Fenton	A45C 13/262 280/655.1
D387,625 S	12/1997	Kai Fai	
7,066,476 B2 *	6/2006	Elden	B62B 1/12 280/37
D528,368 S *	9/2006	Maldonado	D7/605
D674,245 S *	1/2013	Williams, Jr.	D7/605
D745,810 S *	12/2015	Golic	D7/605
D786,022 S *	5/2017	Ravenscraft, Jr.	D7/605

9,671,158 B1 *	6/2017	Sandberg	F25D 27/00
D807,707 S *	1/2018	Grepper	D7/605
D850,217 S *	6/2019	Kittel, III	D7/605
D922,148 S *	6/2021	Yang	D7/605
D929,189 S *	8/2021	Pennington	D7/605
D943,355 S *	2/2022	Shah	D7/605
D955,823 S *	6/2022	Huang	D7/605
D958,845 S *	7/2022	Zhao	D15/79
D969,176 S *	11/2022	Zhao	D15/79

(Continued)

OTHER PUBLICATIONS

Igloo Profile Commercial Grade Insulated Hardside Cooler, posted at Amazon.com on Dec. 29, 2020, [site visited Dec. 12, 2023]. Available from internet, URL: <<https://www.amazon.com/Igloo-Profile-Quart-Roller-Blue/dp/B08RLKSTLB/>> (Year: 2020).*

(Continued)

Primary Examiner — Andrew Kerr
Assistant Examiner — Chariton Alexakis
(74) *Attorney, Agent, or Firm* — Zhigang Ma

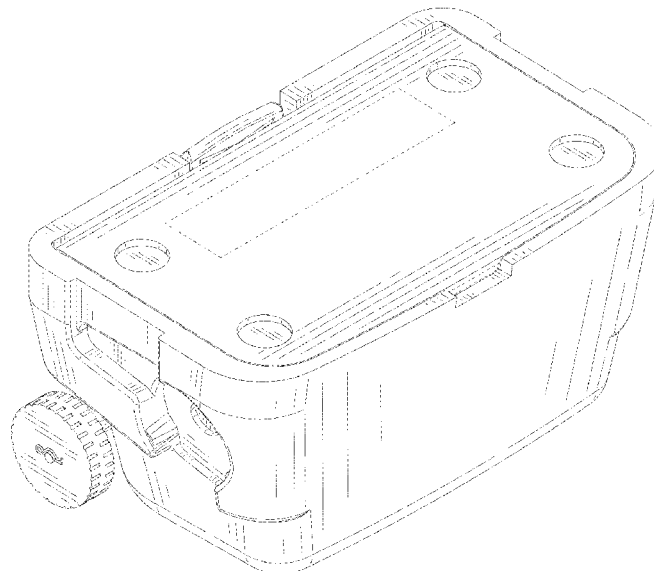
(57) **CLAIM**

The ornamental design for a wheeled cooler, as shown and described.

DESCRIPTION

FIG. 1 is a front, left, and top perspective view of a wheeled cooler, showing my new design;
FIG. 2 is a rear, right, and bottom perspective view thereof;
FIG. 3 is a front view thereof;
FIG. 4 is a rear view thereof;
FIG. 5 is a left side elevation view thereof;
FIG. 6 is a right side elevation view thereof;
FIG. 7 is a top plan view thereof; and,
FIG. 8 is a bottom plan view thereof.
The broken lines depict portions of the wheeled cooler that form no part of the claimed design.

1 Claim, 8 Drawing Sheets



(56)

References Cited

U.S. PATENT DOCUMENTS

D977,833 S * 2/2023 Yang D7/605
2007/0075508 A1* 4/2007 Miller B62D 63/064
280/47.26
2007/0284377 A1* 12/2007 Chandler A63B 69/0068
273/338
2015/0338159 A1* 11/2015 Watson F25D 3/08
220/592.03
2023/0112280 A1* 4/2023 Banal B62B 5/067
62/457.7
2023/0166901 A1* 6/2023 Harrison, Jr. B62B 1/125
280/47.371

OTHER PUBLICATIONS

Coleman Wheeled Portable Cooler, posted at Amazon.com on Oct. 1, 2021, [site visited Dec. 12, 2023]. Available from internet, URL: <<https://www.amazon.com/Coleman-Insulated-Retention-Heavy-Duty-Tailgating/dp/B09HN34T7H/>> (Year: 2021).*

* cited by examiner

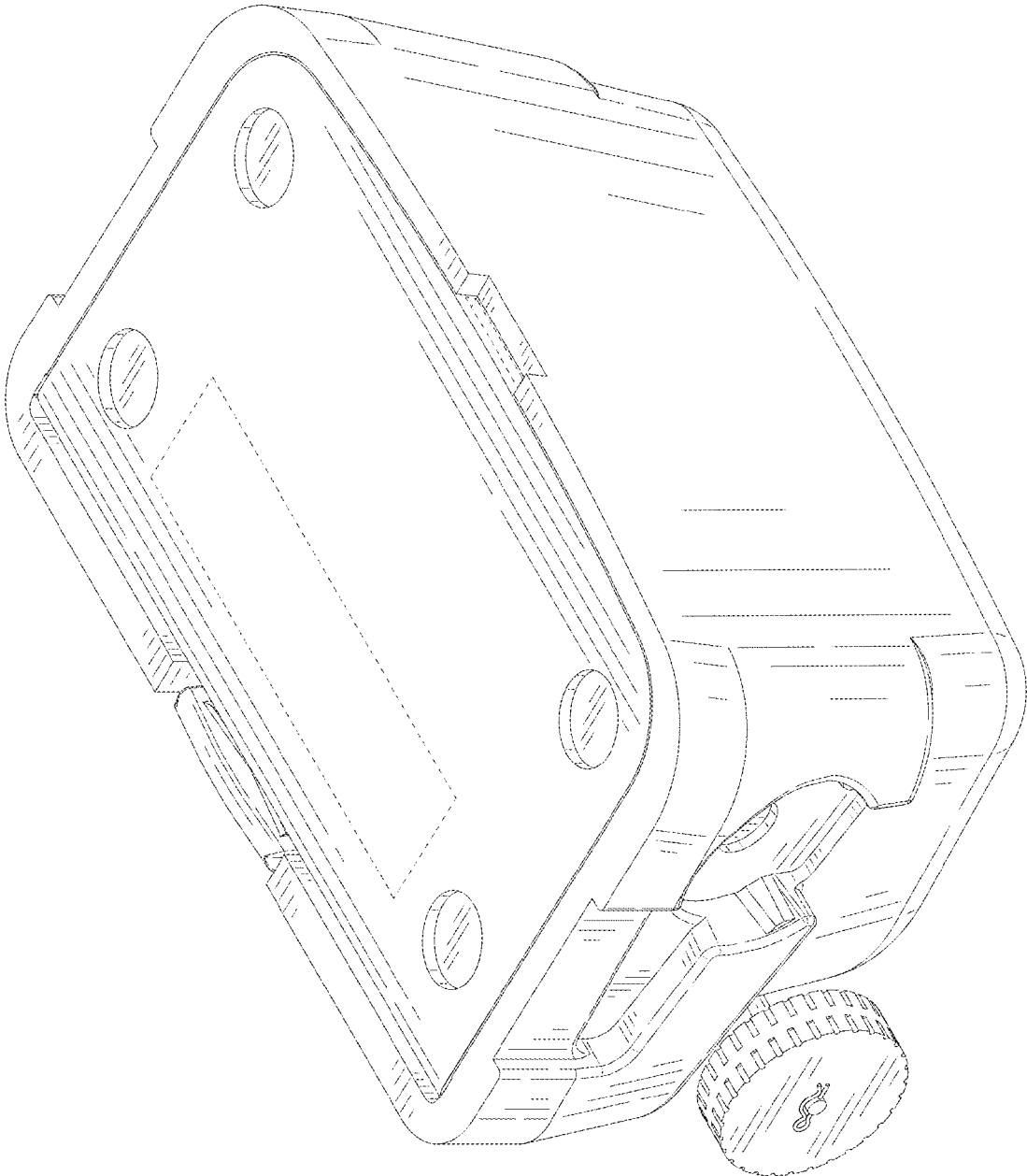


FIG. 1

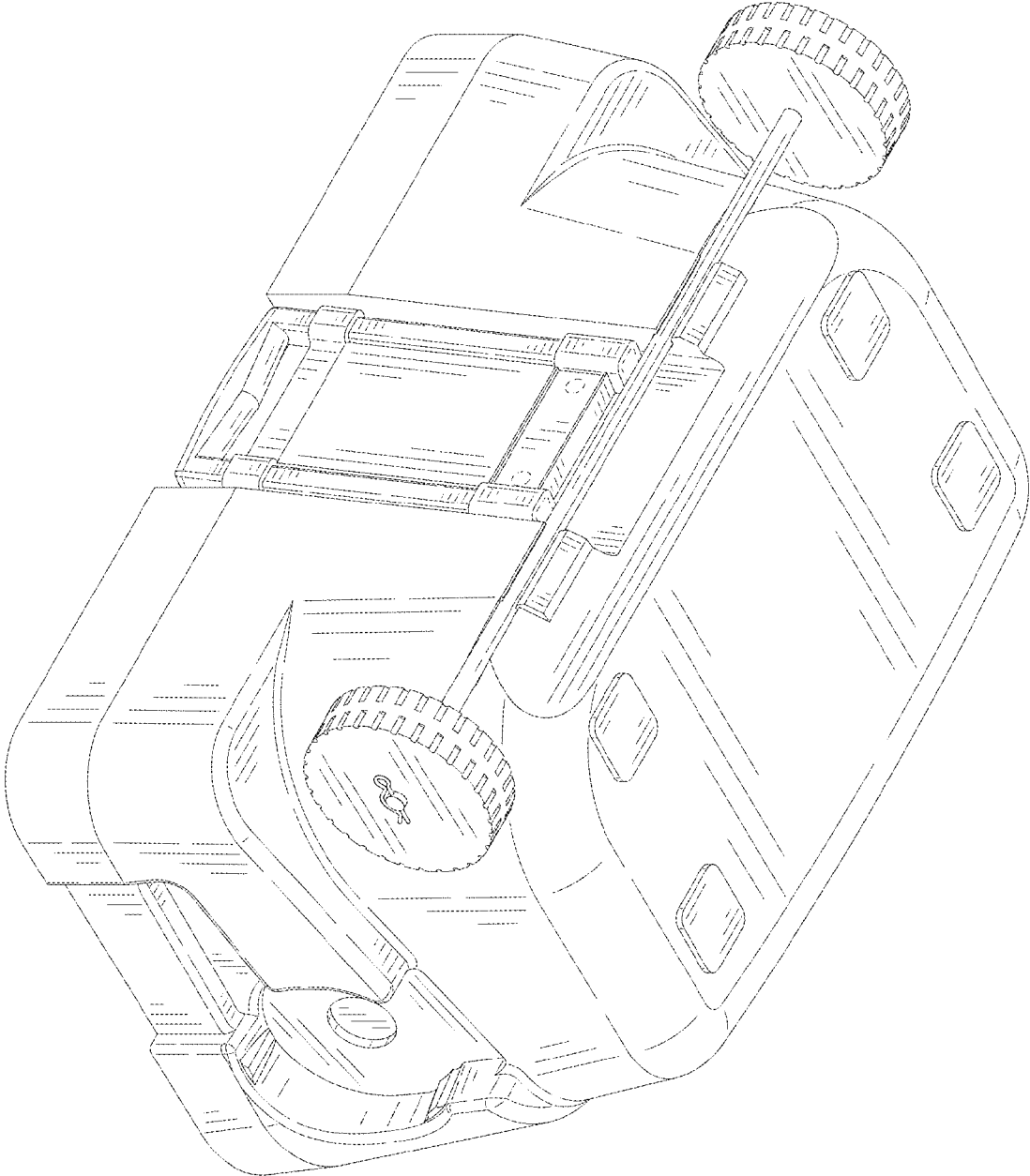


FIG. 2

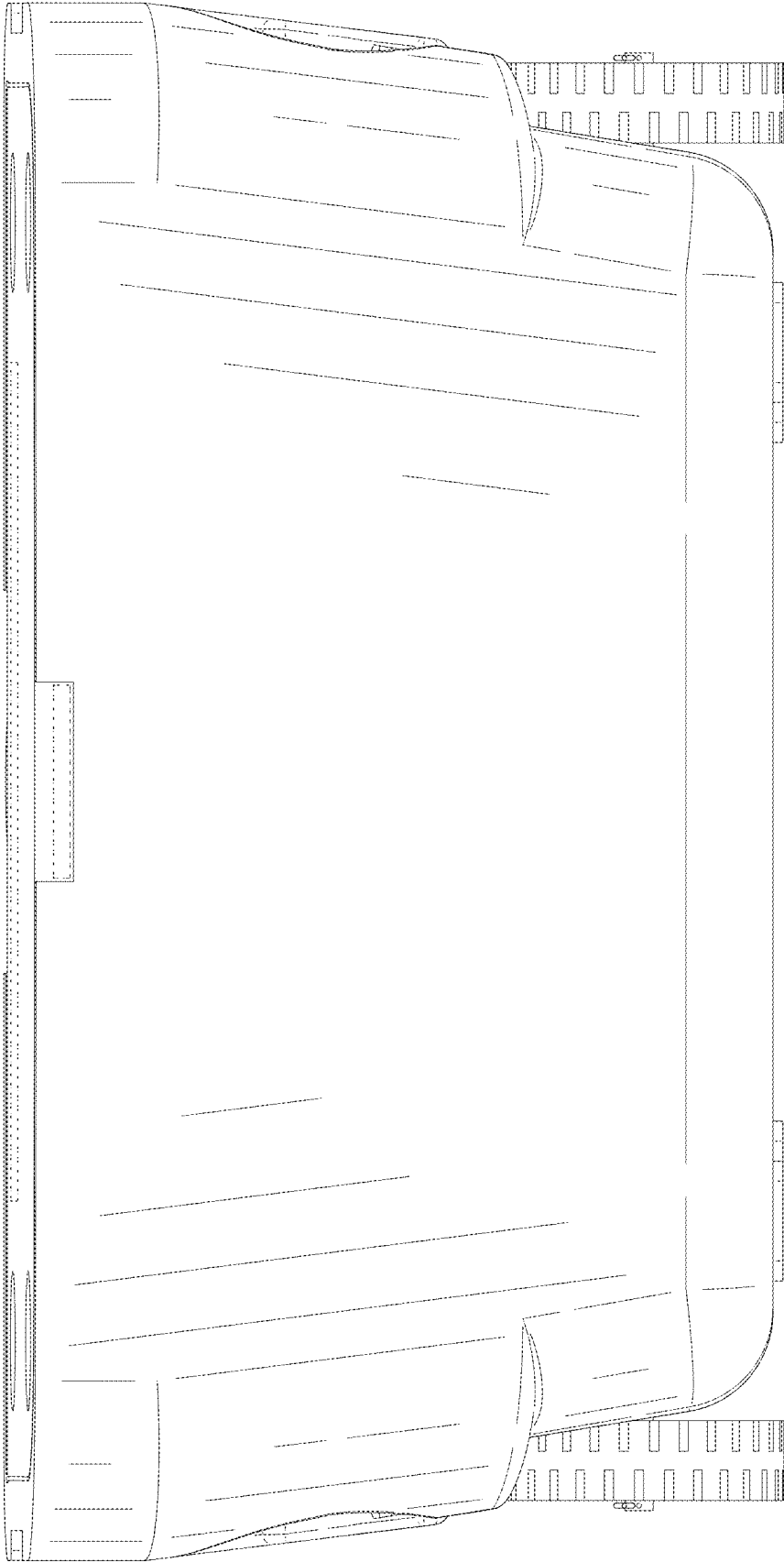


FIG. 3

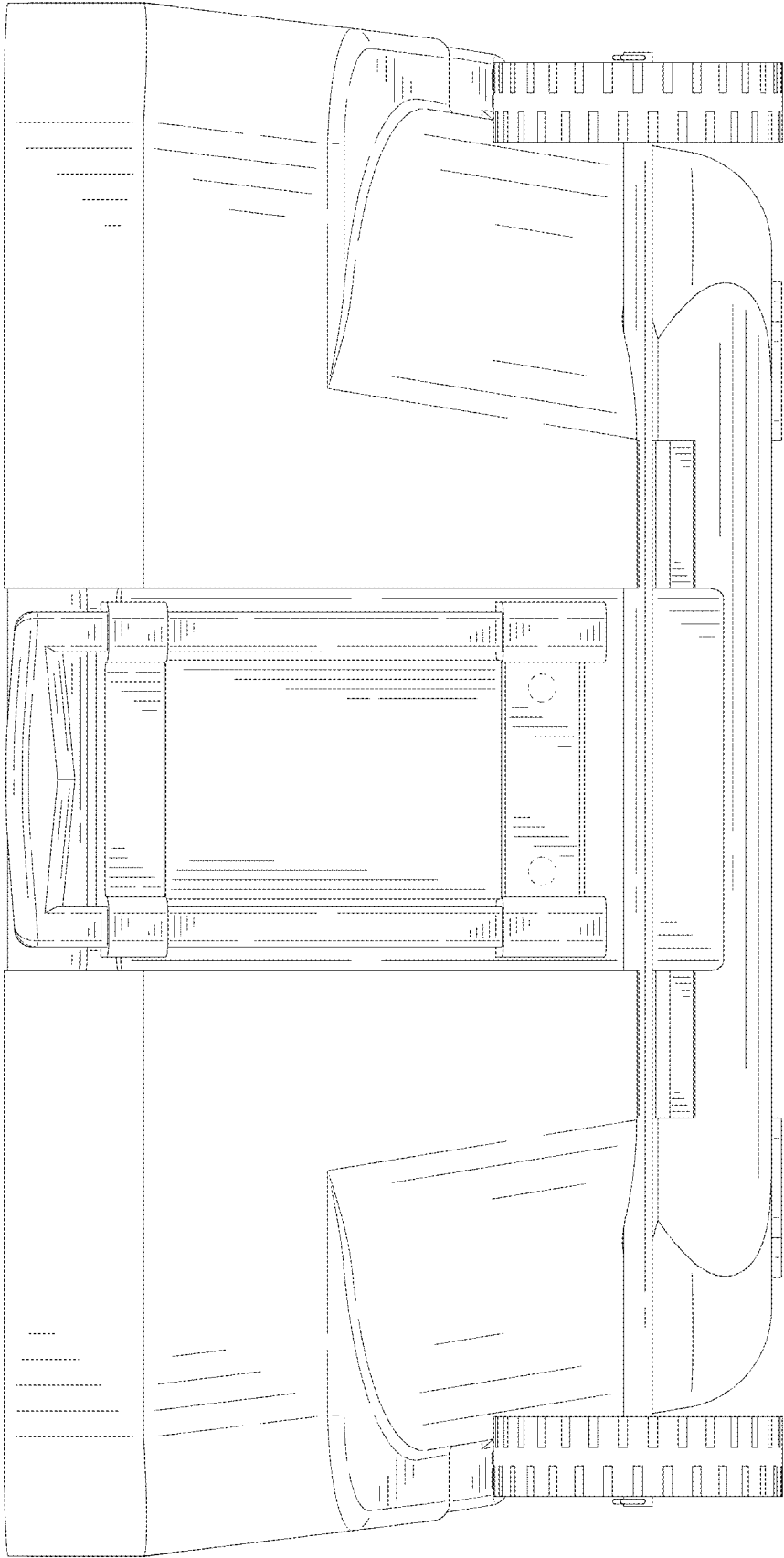


FIG. 4

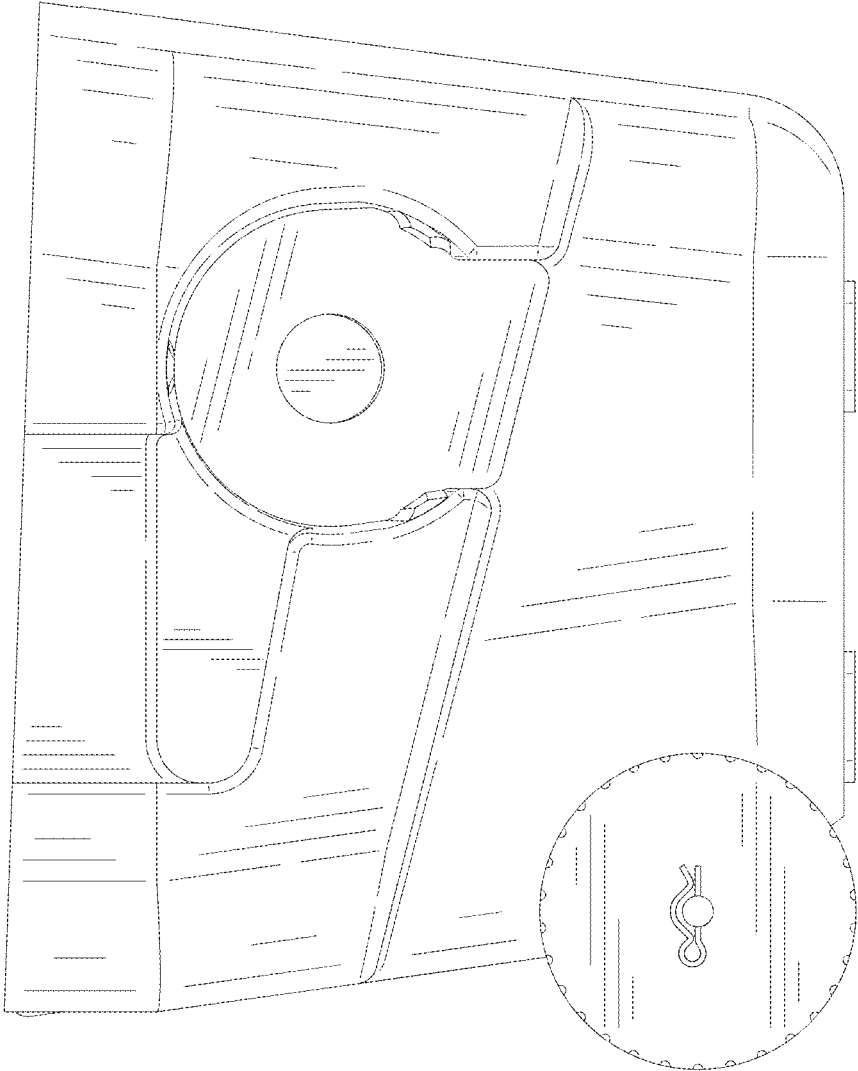


FIG. 5

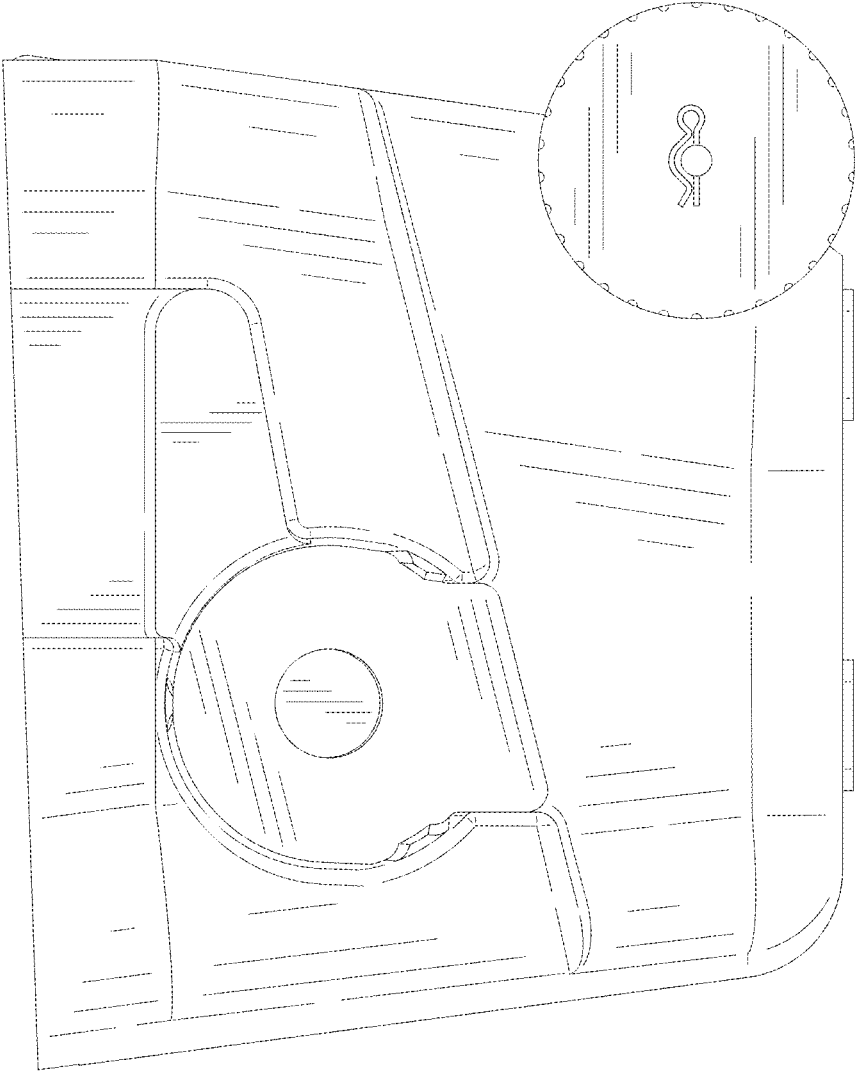


FIG. 6

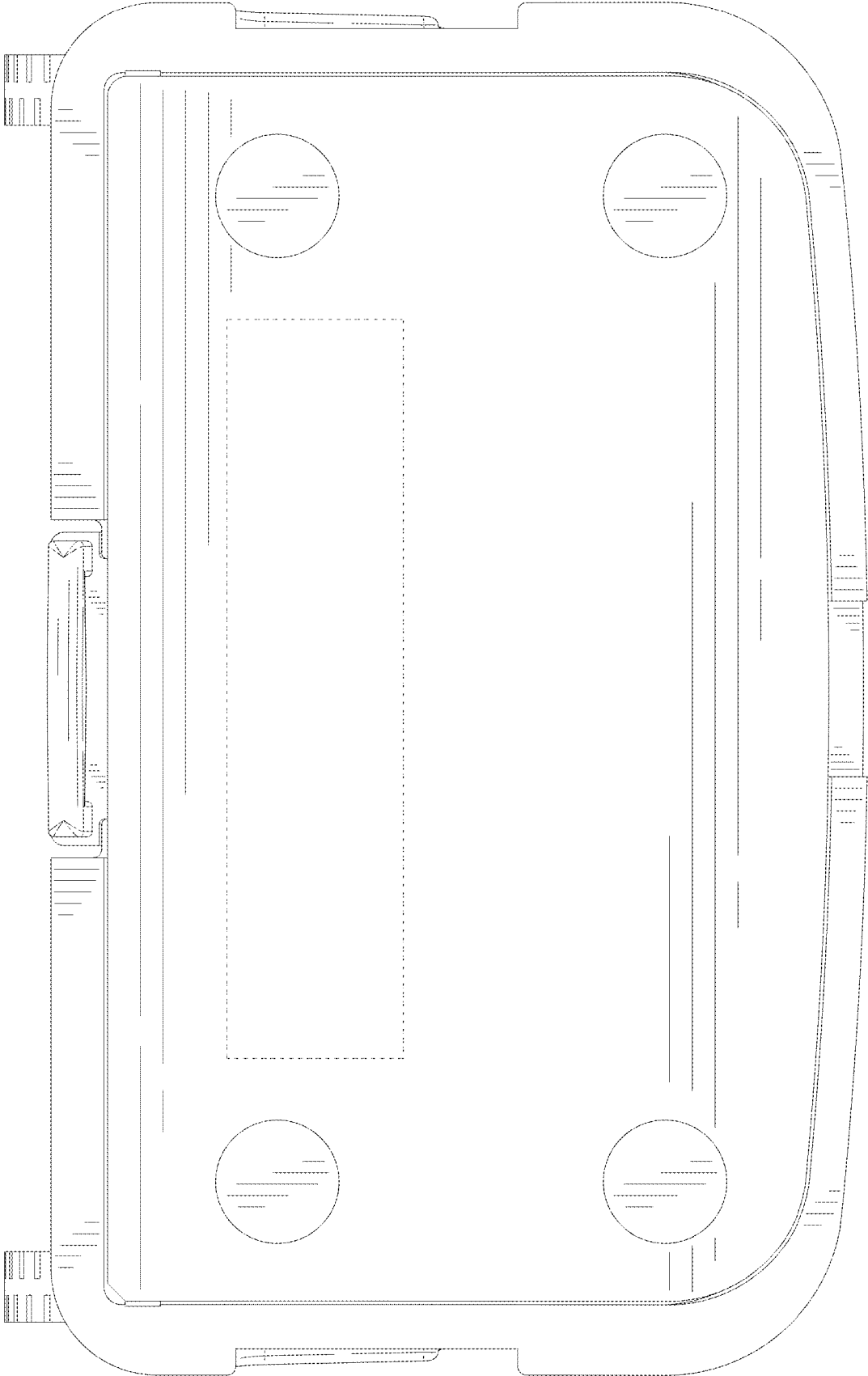


FIG. 7

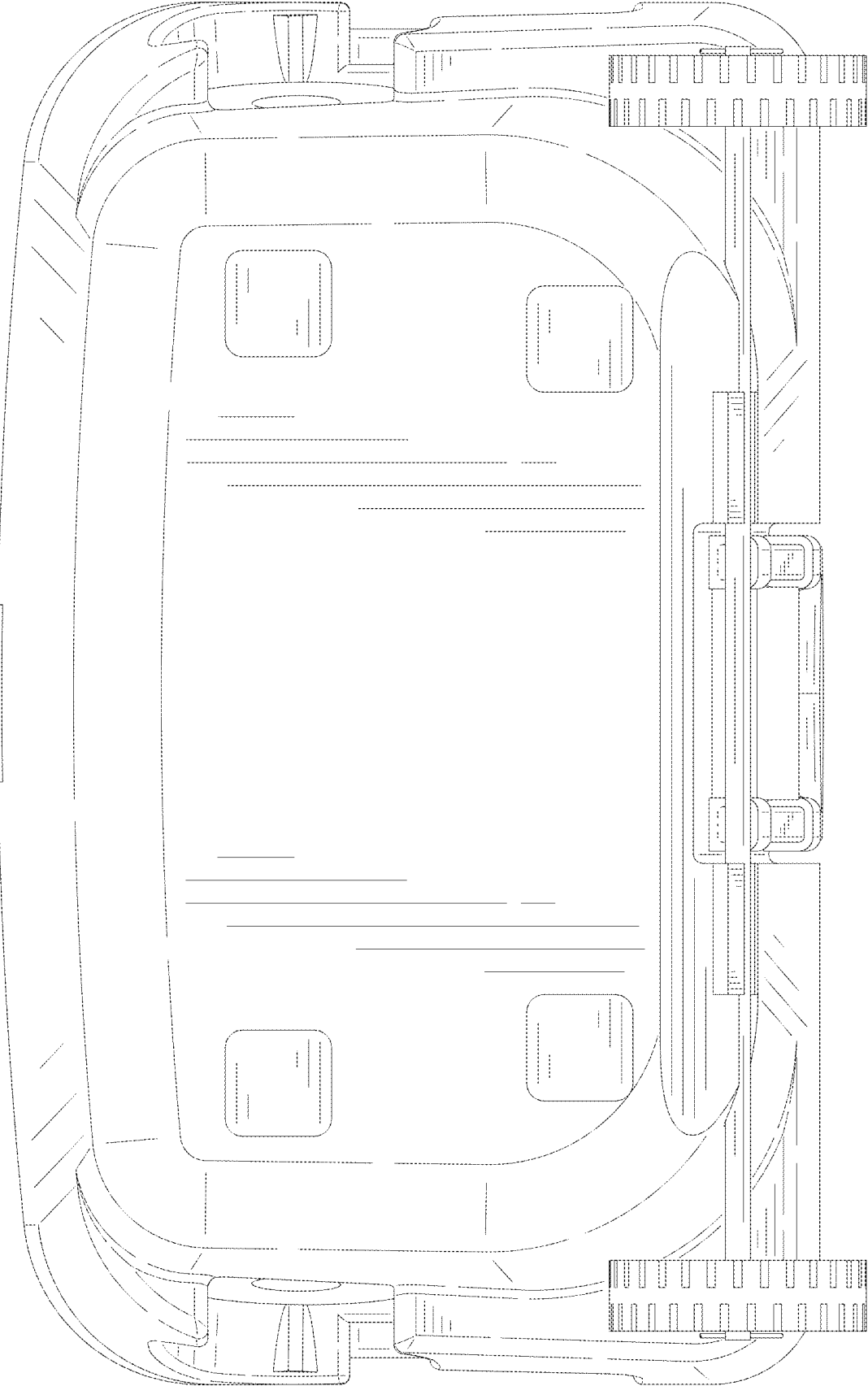


FIG. 8