



US00D551494S

(12) **United States Design Patent**
Feil

(10) **Patent No.:** **US D551,494 S**

(45) **Date of Patent:** **** Sep. 25, 2007**

(54) **KITCHEN MACHINE**

D533,017 S * 12/2006 Wilson D7/376

(75) Inventor: **Rolf Feil**, Guenzburg (DE)

* cited by examiner

(73) Assignee: **BSH Bosch und Siemens Hausgeraete GmbH**, Munich (DE)

Primary Examiner—Catherine R. Oliver

(74) *Attorney, Agent, or Firm*—Russell W. Warnock; Craig J. Loest

(**) Term: **14 Years**

(57) **CLAIM**

(21) Appl. No.: **29/254,772**

The ornamental design for a kitchen machine, as shown and described.

(22) Filed: **Feb. 28, 2006**

(30) **Foreign Application Priority Data**

DESCRIPTION

Aug. 29, 2005 (EM) 000400312

FIG. 1 is a perspective view of a kitchen machine showing my ornamental design; and

(51) **LOC (8) Cl.** **31-00**

FIG. 2 is a front view of the kitchen machine shown in FIG. 1; and

(52) **U.S. Cl.** **D7/379**

(58) **Field of Classification Search** D7/376–386,
D7/412–414, 665, 673, 678; 99/348, 492,
99/509–511; 241/30, 33, 36, 37.5, 101.01,
241/101.2, 168, 169.1, 169.2; 366/64–67,
366/98, 100, 129, 341–343

FIG. 3 is a left view of the kitchen machine shown in FIG. 1; and

FIG. 4 is a rear view of the kitchen machine shown in FIG. 1; and

See application file for complete search history.

FIG. 5 is a top view of the kitchen machine shown in FIG. 1; and

(56) **References Cited**

FIG. 6 is a right view of the kitchen machine shown in FIG. 1; and,

U.S. PATENT DOCUMENTS

FIG. 7 is a bottom view of the kitchen machine shown in FIG. 1.

- D265,166 S * 6/1982 Ernest et al. D7/386
- D286,258 S * 10/1986 Grange D7/379
- D470,717 S * 2/2003 Kaiser D7/379
- D499,604 S * 12/2004 Hooper et al. D7/376

1 Claim, 4 Drawing Sheets





Fig. 1

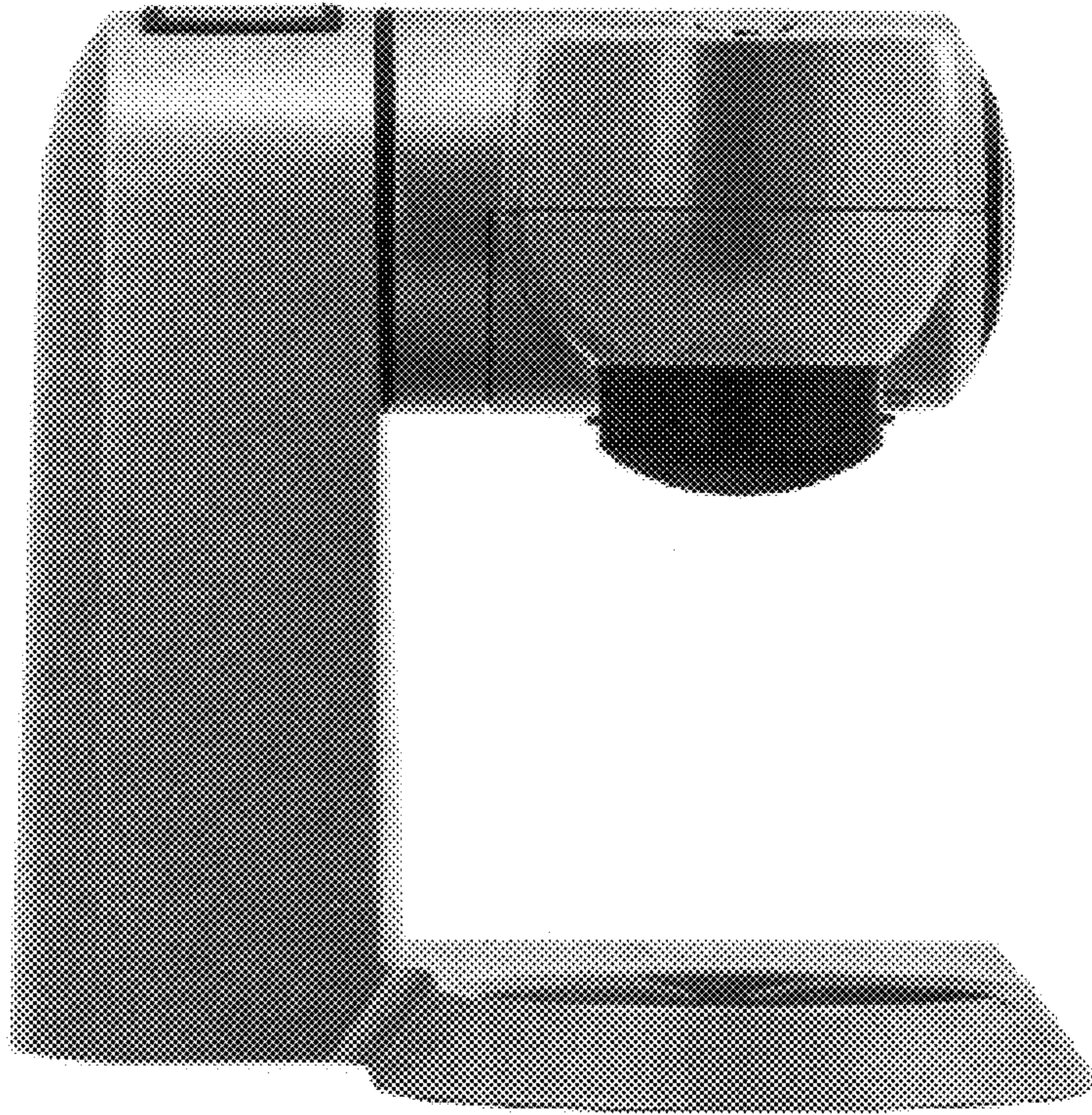


Fig. 2

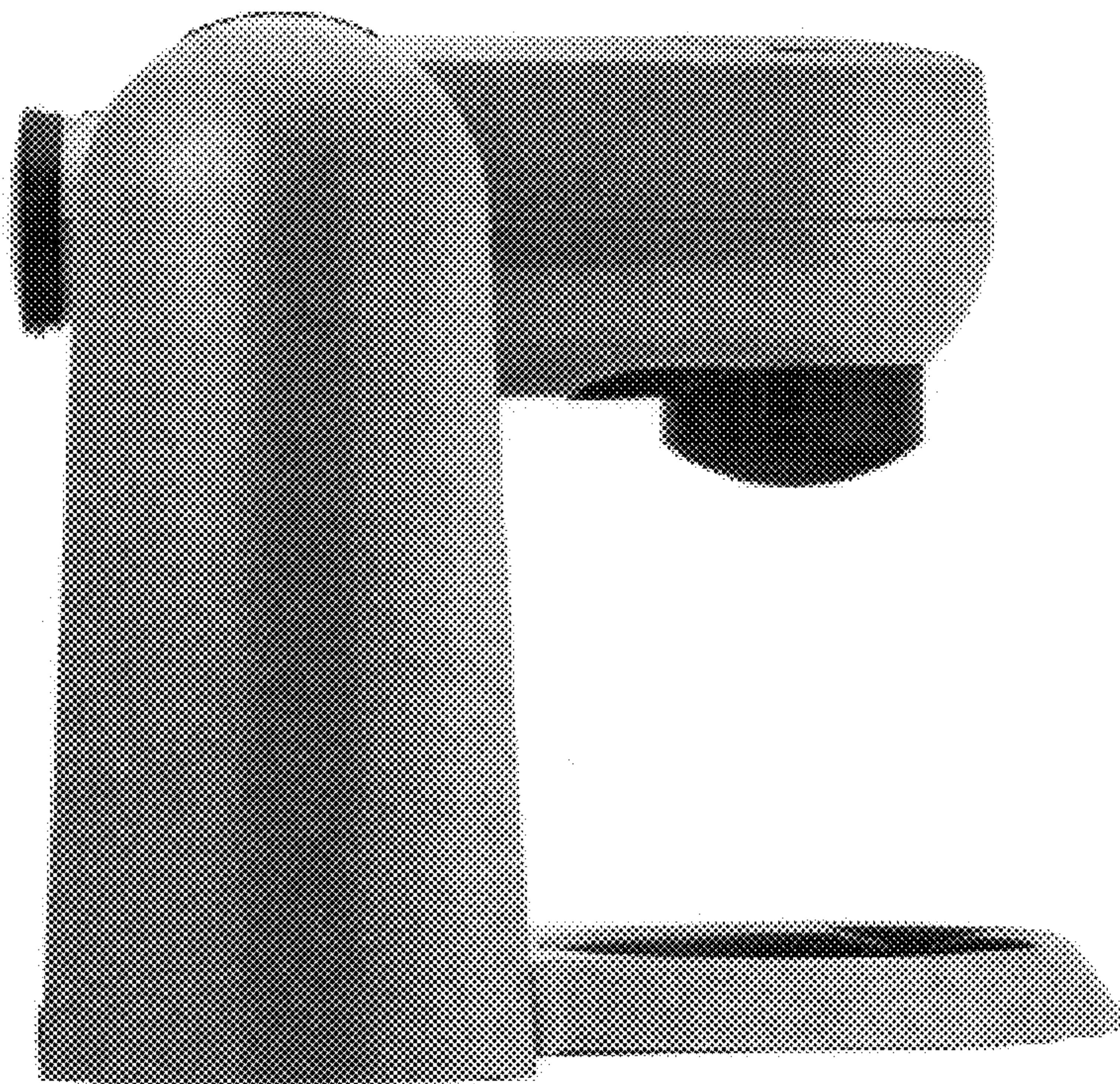


Fig. 3

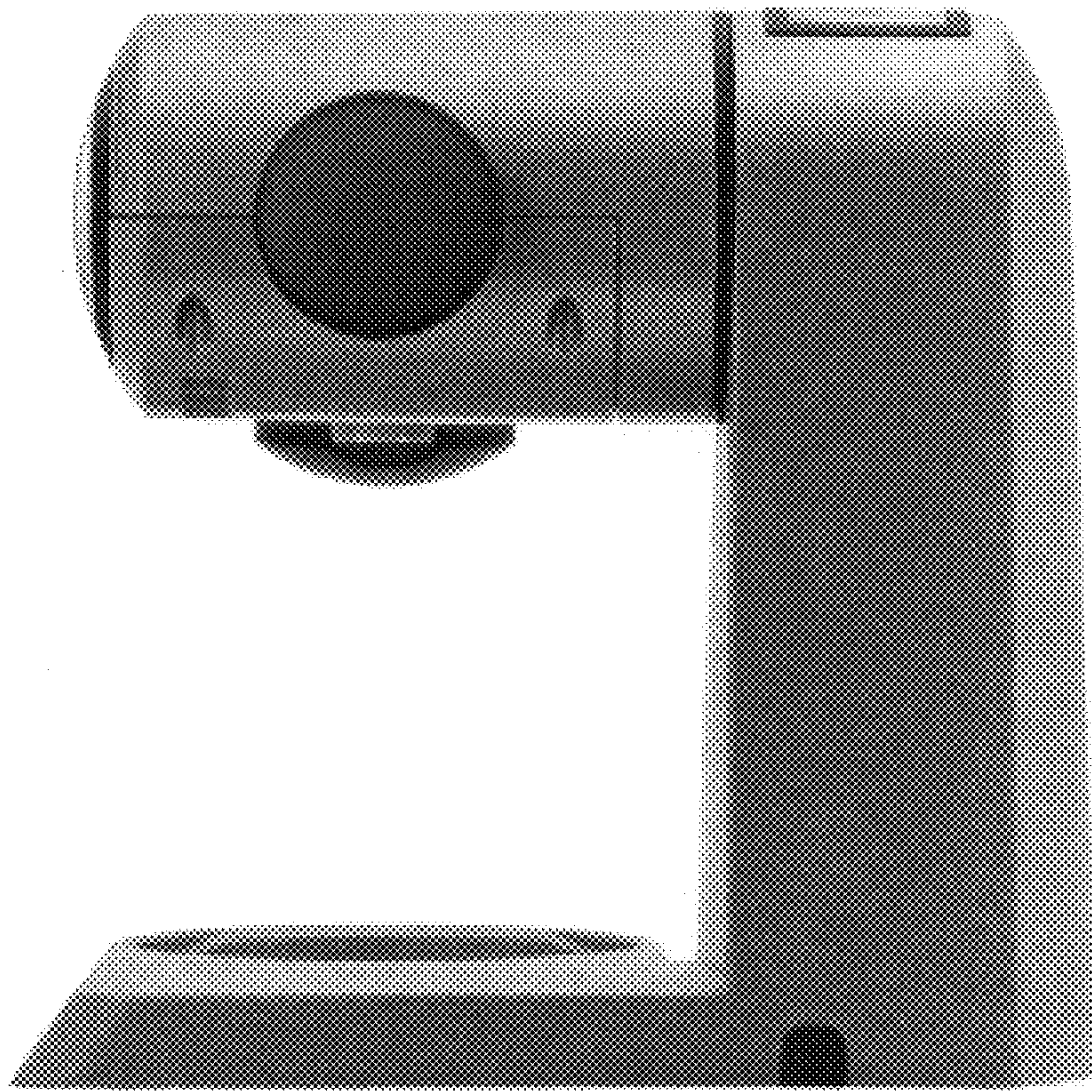


Fig. 4



Fig. 5

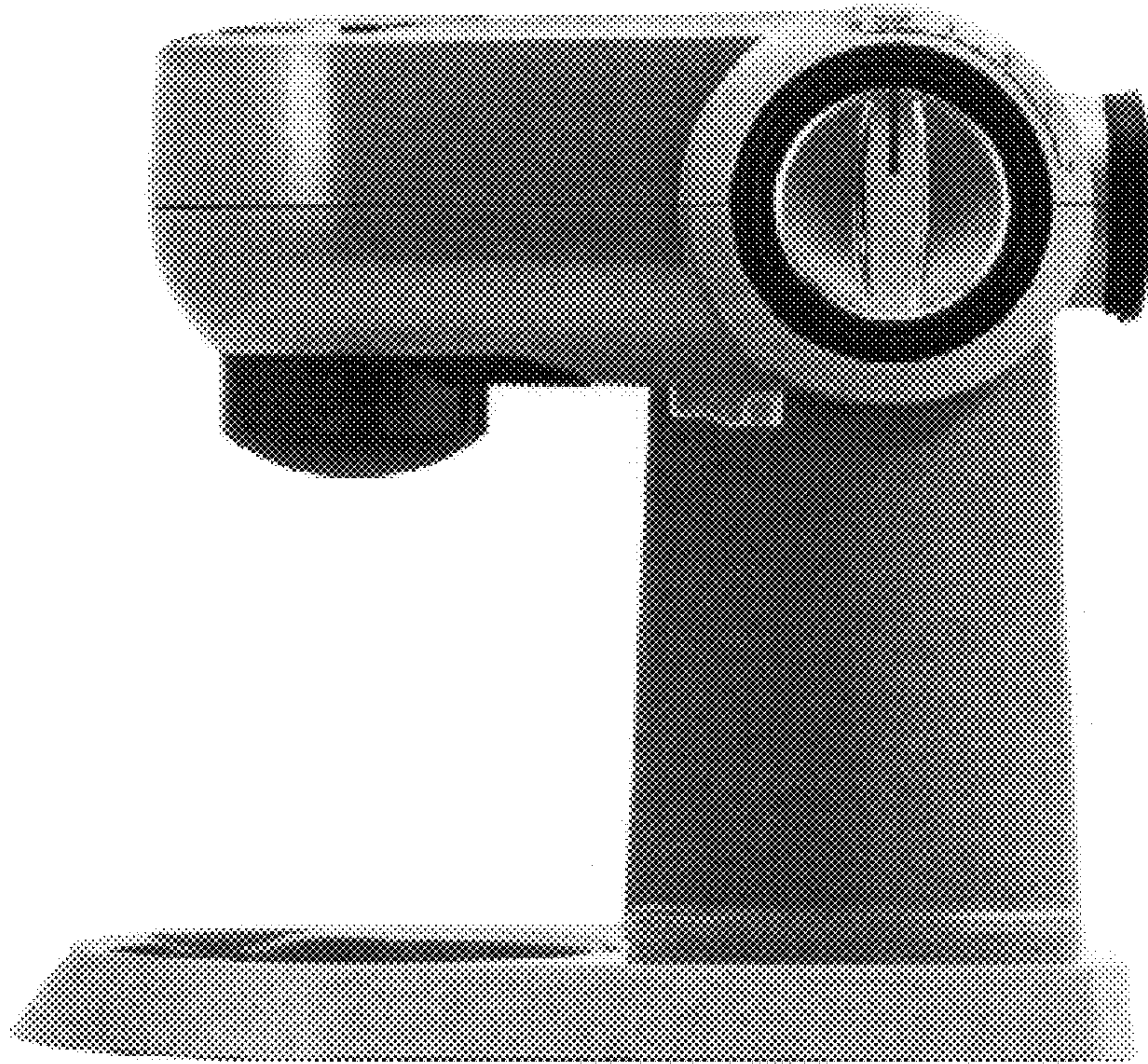


Fig. 6

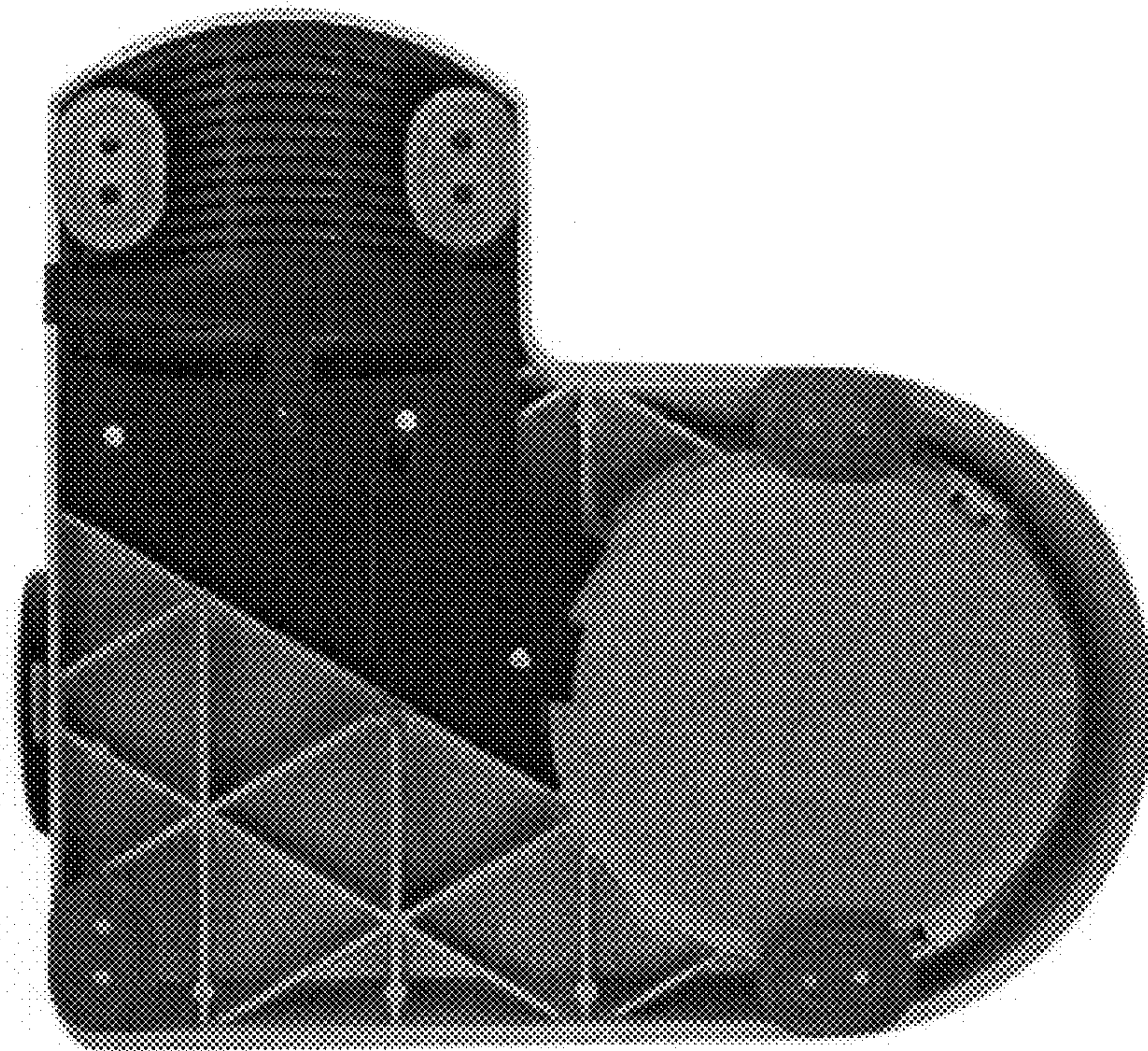


Fig. 7